



US00D671317S

(12) **United States Design Patent**  
**Sabounjian**

(10) **Patent No.:** **US D671,317 S**

(45) **Date of Patent:** **\*\* Nov. 27, 2012**

(54) **COLLAPSIBLE CONTAINER WITH  
POCKETS**

(75) **Inventor:** **Azad Sabounjian**, Irvine, CA (US)

(73) **Assignee:** **Pro-Mart Industries, Inc.**, Irvine, CA  
(US)

(\*\*) **Term:** **14 Years**

(21) **Appl. No.:** **29/390,322**

(22) **Filed:** **Apr. 22, 2011**

(51) **LOC (9) Cl.** ..... **03-01**

(52) **U.S. Cl.** ..... **D3/285; D3/289**

(58) **Field of Classification Search** ..... D3/273,  
D3/276, 280, 283–293, 301, 300, 294; 190/100–127,  
190/900–903; 150/106, 107, 108, 110, 111,  
150/112, 118; 206/320

See application file for complete search history.

(56) **References Cited**

**U.S. PATENT DOCUMENTS**

1,869,071	A	7/1932	McLean	
4,895,230	A	1/1990	King	
5,316,387	A	5/1994	Polett et al.	
5,413,199	A *	5/1995	Clement	190/108
5,620,069	A	4/1997	Hurwitz	
D406,423	S	3/1999	Kellogg et al.	
5,967,357	A	10/1999	Kellogg et al.	
5,971,188	A	10/1999	Kellogg et al.	
D431,361	S	10/2000	Kellogg et al.	
D433,810	S	11/2000	Kellogg et al.	
D438,009	S	2/2001	Kellogg et al.	
6,220,998	B1	4/2001	Kellogg et al.	
D449,447	S	10/2001	Kellogg et al.	
D461,638	S	8/2002	Kellogg et al.	
RE37,924	E	12/2002	Kellogg et al.	
6,494,335	B1	12/2002	Kellogg et al.	
6,702,119	B2	3/2004	Sabounjian	

D509,959	S *	9/2005	Nykoluk	D3/289
6,948,632	B2	9/2005	Kellogg et al.	
6,997,338	B2	2/2006	Sabounjian	
D519,280	S	4/2006	Kellogg et al.	
D526,484	S *	8/2006	Flint	D3/283
D536,872	S	2/2007	Kellogg et al.	
D547,950	S	8/2007	Kellogg et al.	
D548,408	S *	8/2007	Martz	D30/109
D551,452	S	9/2007	Kellogg et al.	
D555,905	S	11/2007	Kellogg et al.	
7,353,963	B1	4/2008	Sabounjian	
D575,059	S *	8/2008	Cappiello et al.	D3/283

(Continued)

*Primary Examiner* — Jennifer Rivard

(74) *Attorney, Agent, or Firm* — Stetina Brunda Garred &  
Brucker; Lowell Anderson

(57) **CLAIM**

The ornamental design for a collapsible container with pockets, as shown and described.

**DESCRIPTION**

FIG. 1 is a perspective view of the container of this invention with a cover that is closed;

FIG. 2 is a top plan view of the container of FIG. 1;

FIG. 3 is a front elevation view of the container of FIG. 1, with the opposing rear side being a mirror image thereof;

FIG. 4 is a right side elevation view of the container of FIG. 1, with the opposing side view being a mirror image thereof;

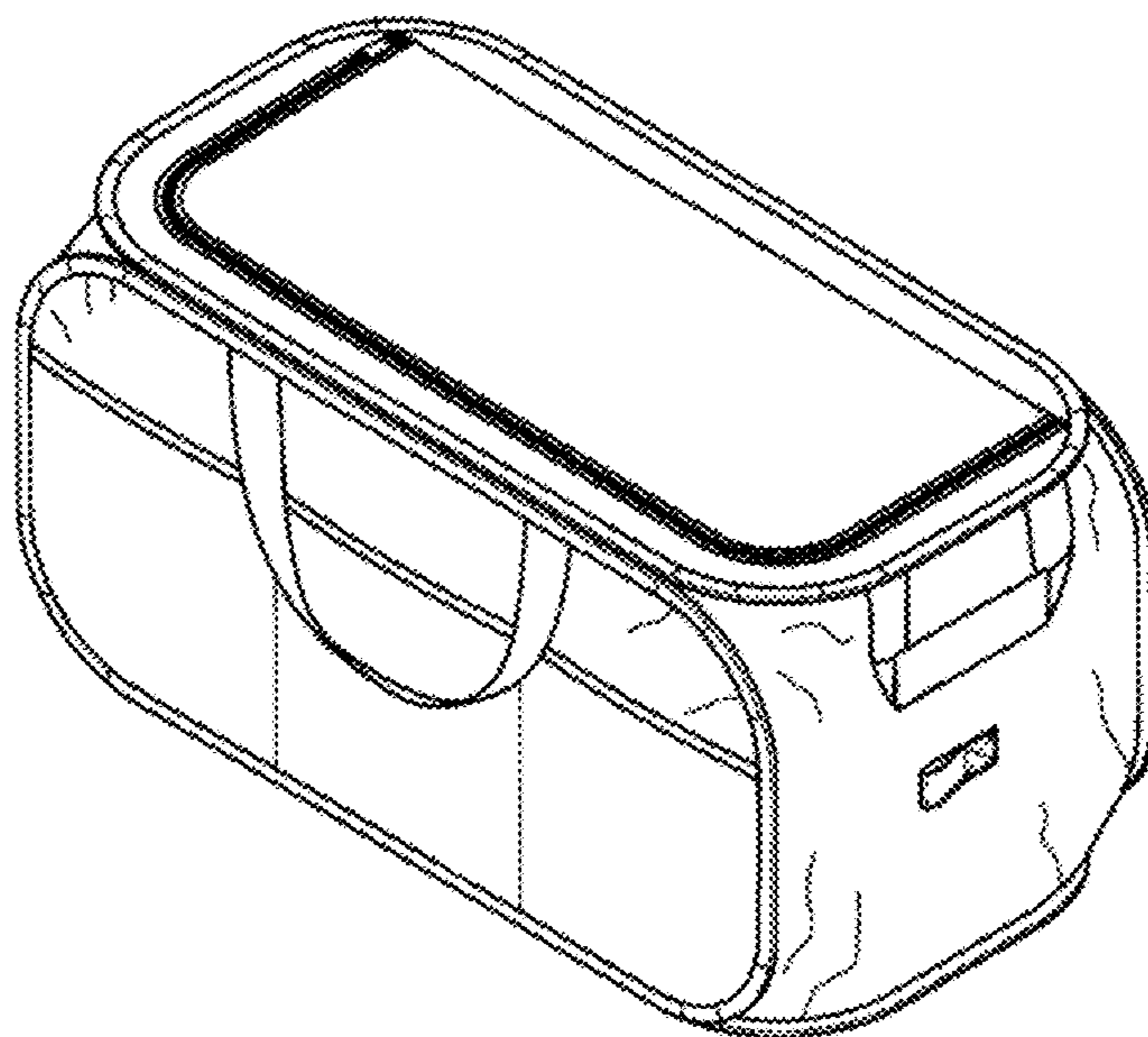
FIG. 5 is a bottom plan view of the container of FIG. 1;

FIG. 6 is a perspective view of the container of FIG. 1 with the cover open;

FIG. 7 is a top plan view of the container of FIG. 6; and,

FIG. 8 is a sectional view taken along section 8-8 of FIG. 4. The broken lines that are shown in FIGS. 1, 4 and 6 represent claimed stitching.

**1 Claim, 5 Drawing Sheets**



# US D671,317 S

Page 2

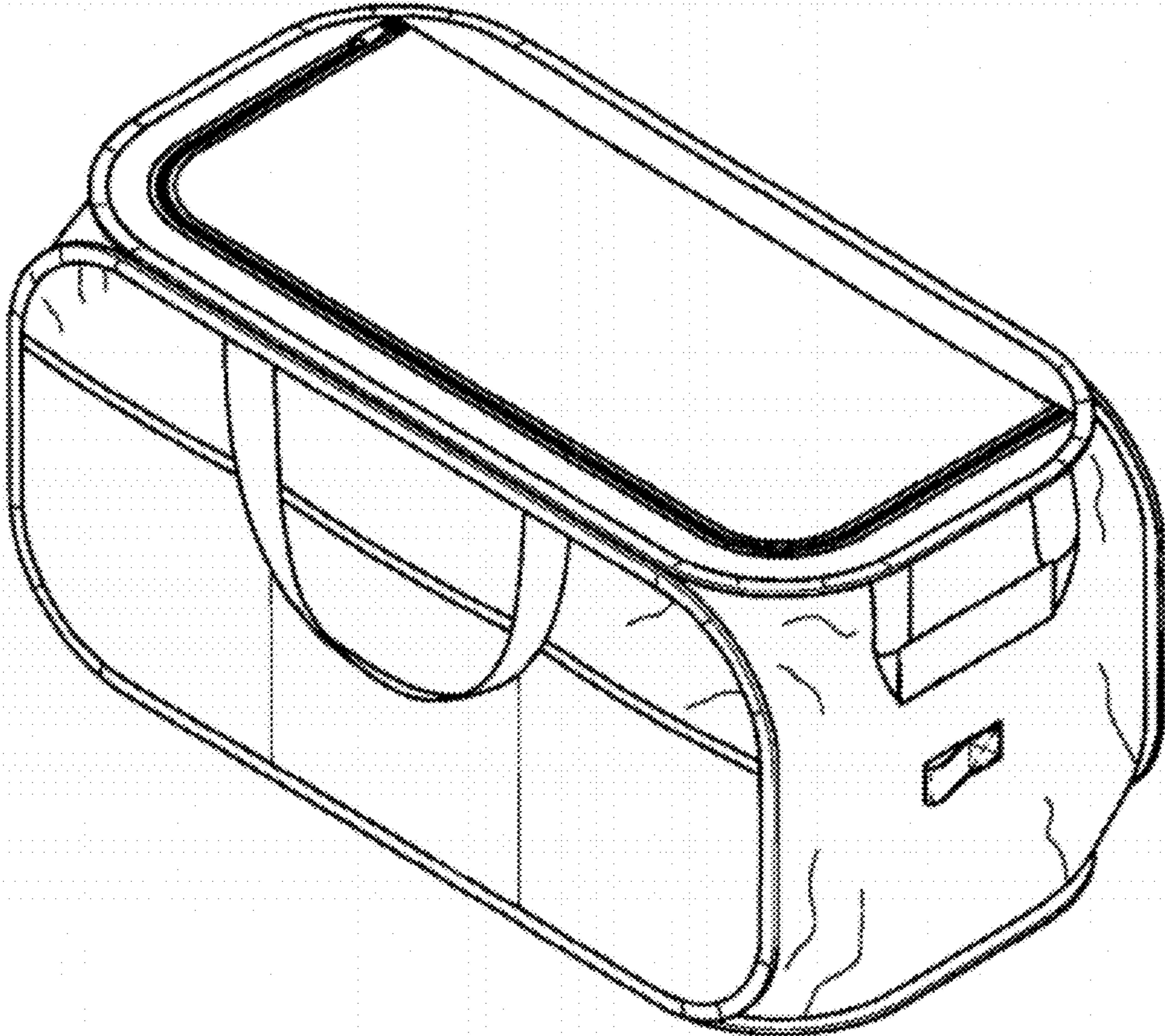
---

## U.S. PATENT DOCUMENTS

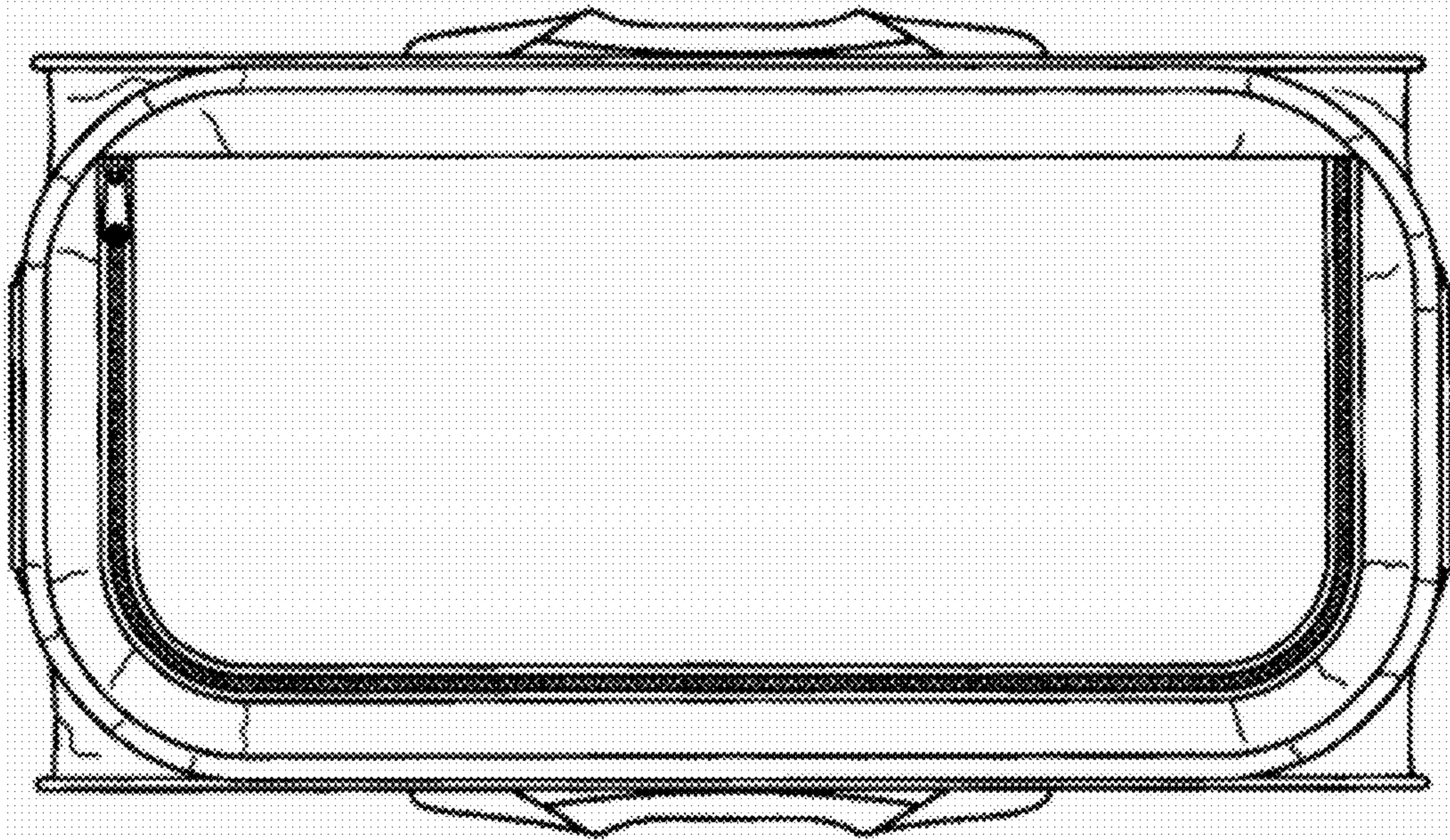
D601,800 S	10/2009	Kellogg et al.		7,845,507 B2	12/2010	Kellogg et al.	
D602,253 S *	10/2009	Rees et al. ....	D3/289	D634,932 S	3/2011	Sabounjian	
D612,117 S	3/2010	Krotts et al.		D641,165 S	7/2011	Sabounjian	
D620,708 S *	8/2010	Sanz .....	D3/276	D648,533 S *	11/2011	Sosnovsky .....	D3/283
D622,466 S	8/2010	Sabounjian		2002/0145022 A1	10/2002	Nguyen et al.	
D622,960 S	9/2010	Sabounjian		2007/0257034 A1	11/2007	Sabounjian	
D625,102 S *	10/2010	Jacobs .....	D3/289	2010/0018968 A1	1/2010	Sabounjian	
D625,891 S	10/2010	Krotts et al.		2011/0174811 A1	7/2011	Sabounjian	

\* cited by examiner

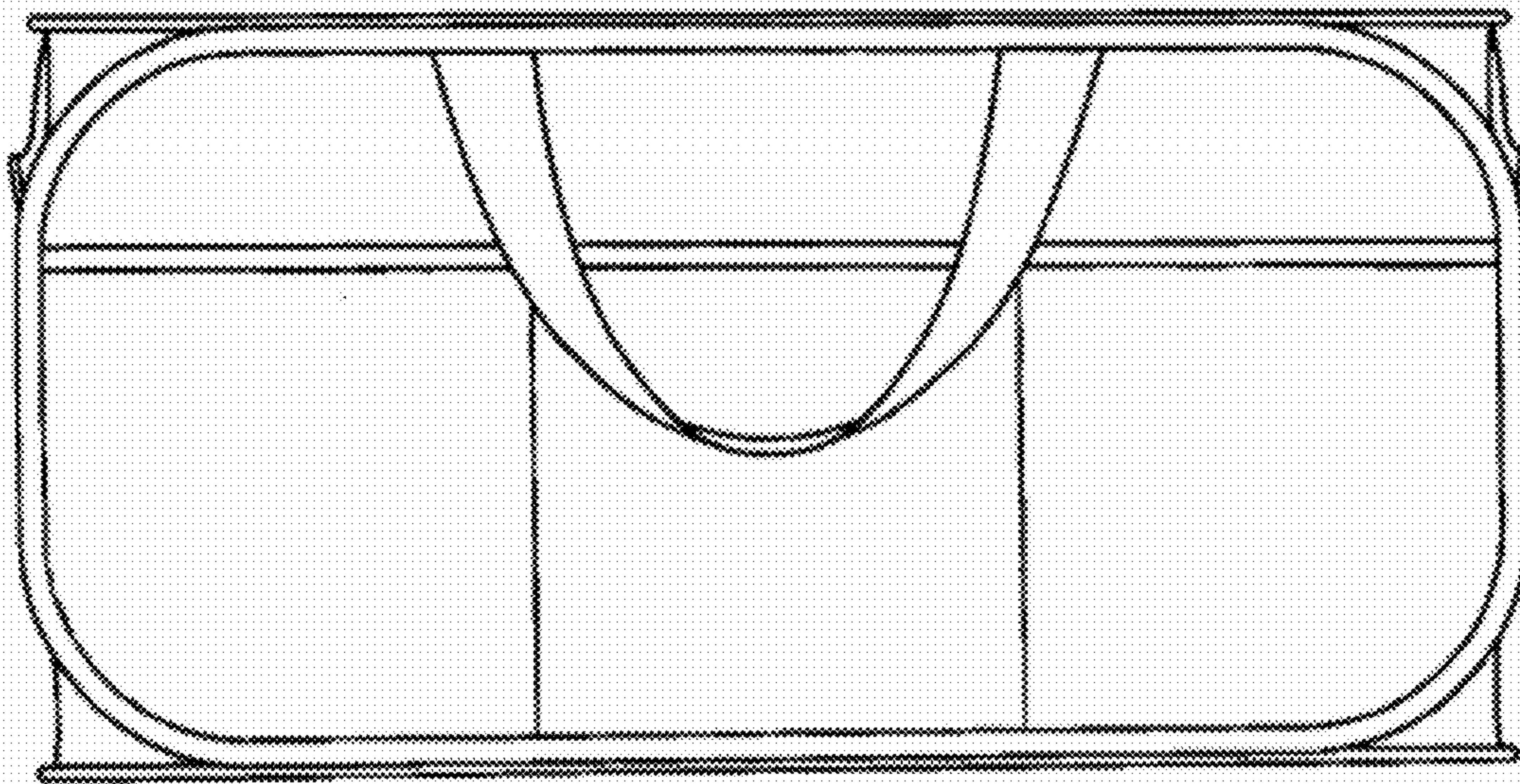
FIG. 1



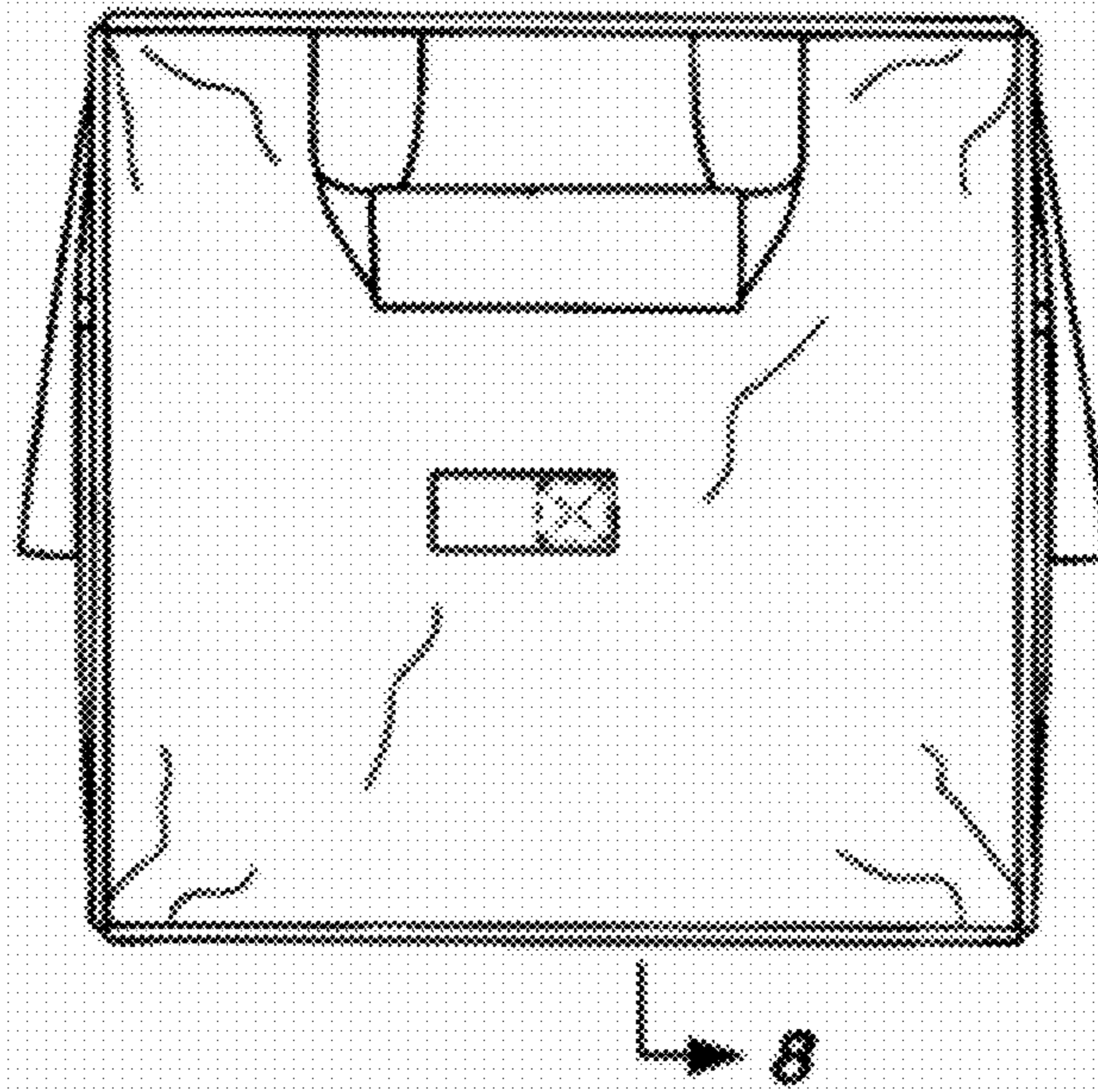
**FIG. 2**



**FIG. 3**



**FIG. 4**



**FIG. 5**

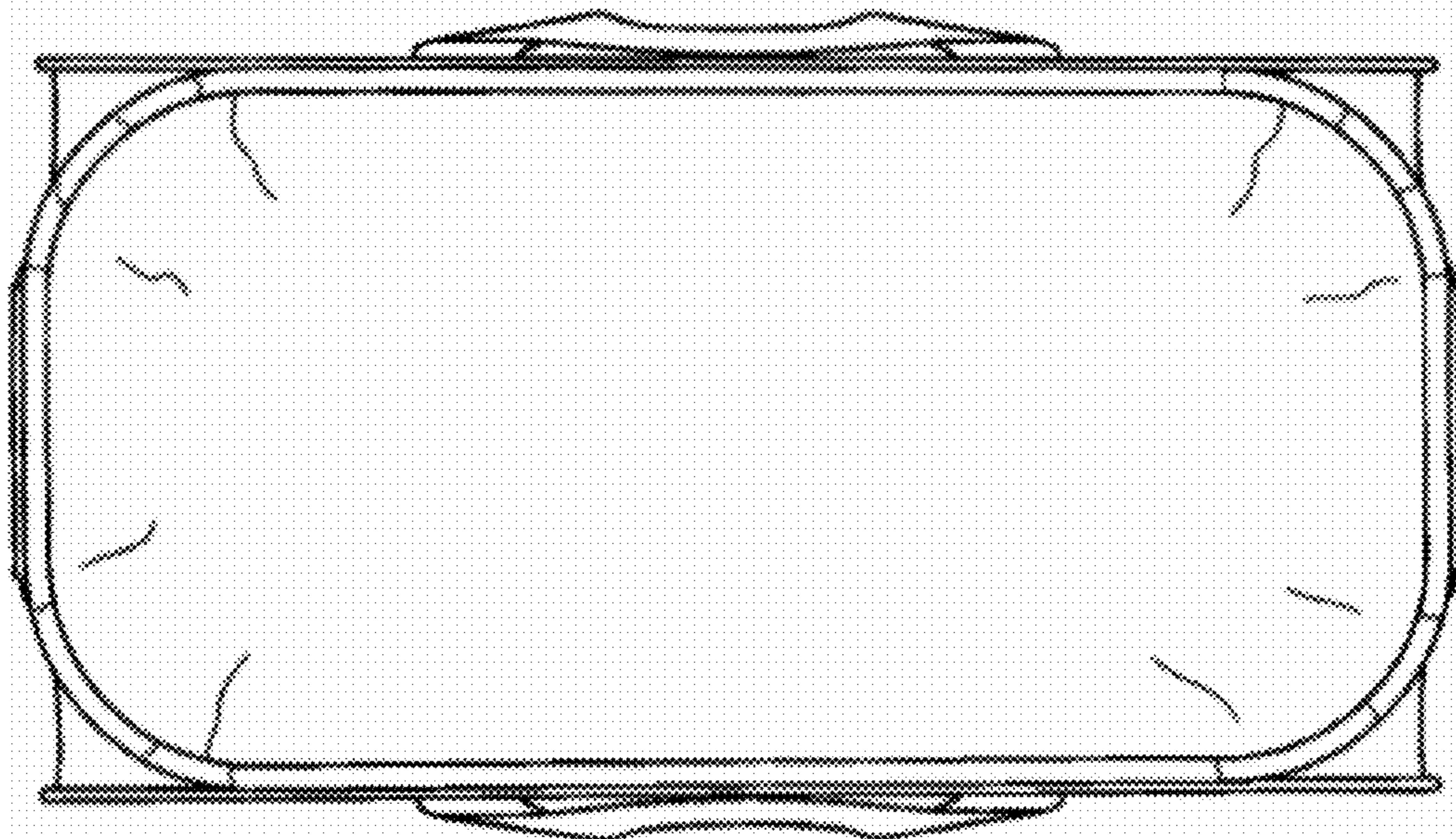
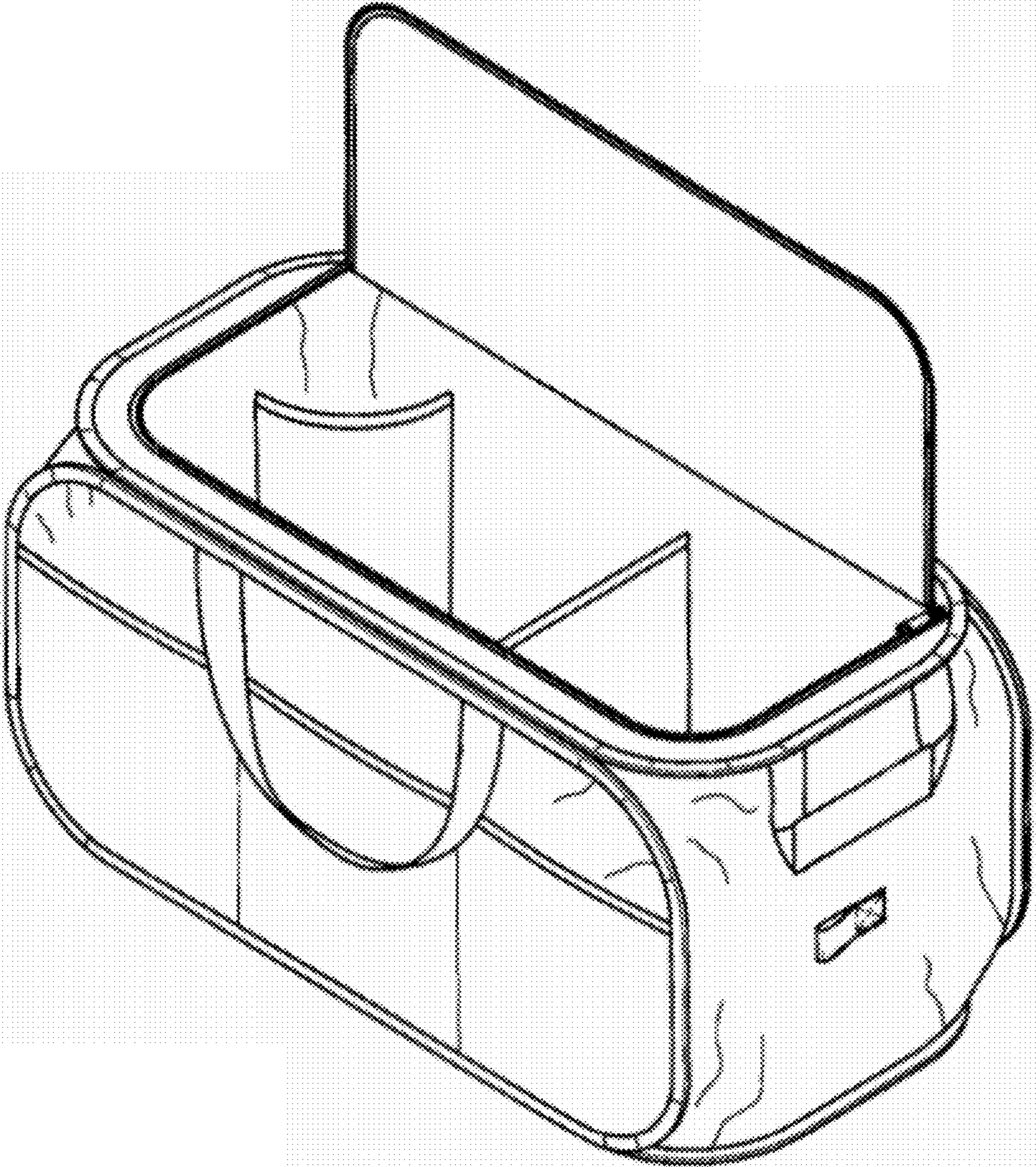
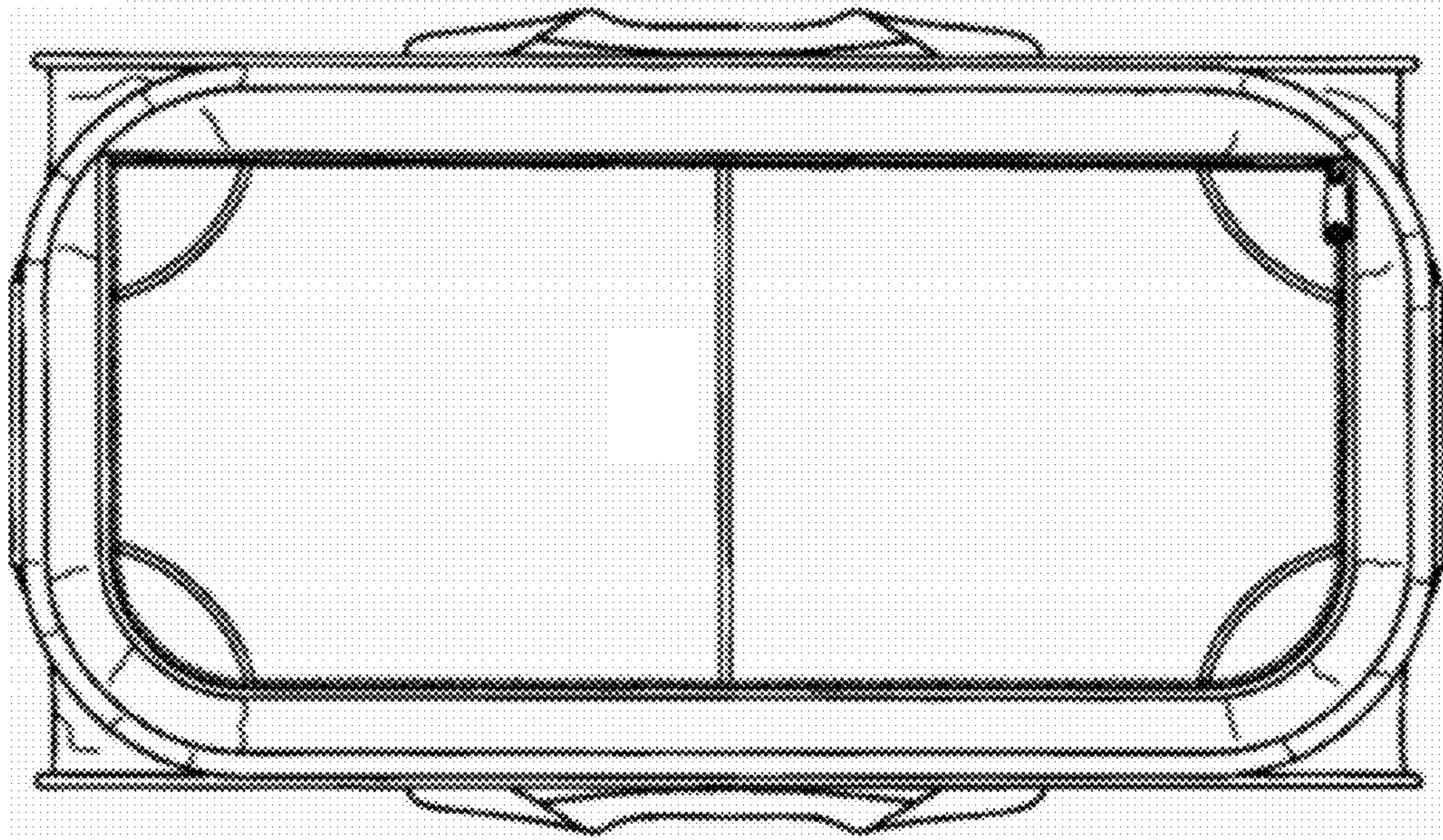


FIG. 6



**FIG. 7**



**FIG. 8**

