



US00D671315S

(12) **United States Design Patent**
Schneider

(10) **Patent No.:** **US D671,315 S**
(45) **Date of Patent:** **** Nov. 27, 2012**

(54) **ORGANIZER**

(75) Inventor: **Jonathan Neil Schneider**, Los Angeles, CA (US)

(73) Assignee: **Waiter Wallet**, Los Angeles, CA (US)

(**) Term: **14 Years**

(21) Appl. No.: **29/397,717**

(22) Filed: **Jul. 20, 2011**

(51) **LOC (9) Cl.** **03-01**

(52) **U.S. Cl.** **D3/250; D3/247**

(58) **Field of Classification Search** D3/247,
D3/249-250; 150/130-132, 136-137

See application file for complete search history.

(56) **References Cited**

U.S. PATENT DOCUMENTS

4,496,058 A 1/1985 Harris et al.

(Continued)

Primary Examiner — Holly Baynham

(74) *Attorney, Agent, or Firm* — Fulwider Patton LLP

(57) **CLAIM**

The ornamental design for an organizer, as shown and described.

DESCRIPTION

FIG. 1 is a top, rear perspective view of the organizer in a closed position;

FIG. 2 is a left side elevation view of the organizer in a closed position;

FIG. 3 is a right side elevation view of the organizer in a closed position;

FIG. 4 is a bottom plan view of the organizer in a closed position;

FIG. 5 is a rear elevation view of the organizer in a closed position;

FIG. 6 is a top plan view of the organizer in a closed position;

FIG. 7 is a front elevation view of the organizer in a closed position;

FIG. 8 is a perspective view of the interior of the organizer in an open position;

FIG. 9 is an elevational view of the exterior of the organizer in an open position;

FIG. 10 is an elevational view of the interior of the organizer in an open position, and a writing pad appearing in broken lines;

FIG. 11 is a bottom plan view of the organizer in an open position;

FIG. 12 is a top plan view of the organizer in an open position;

FIG. 13 is a left side elevation view of the organizer in an open position;

FIG. 14 is a right side elevation view of the organizer in an open position;

FIG. 15 is a front, top, left exploded view of the interior with the organizer in an open position showing the insert removed;

FIG. 16 is a front, top, perspective view of the organizer in an open position showing the compartment slightly open and a separate pocketed leaf contained within the compartment;

FIG. 17 is a cross-sectional view taken along line 17-17 showing the front of the separate pocketed leaf attached at the bottom of the compartment of the organizer;

FIG. 18 is a rear, top, perspective view of the organizer in an open position showing the compartment slightly open and a separate pocketed leaf contained within the compartment;

FIG. 19 is a cross-sectional view taken along line 19-19 showing the rear of the separate pocketed leaf attached at the bottom of the compartment of the organizer;

FIG. 20 is a front elevational view of the insert for the organizer in an open position;

FIG. 21 is a side view of the insert for the organizer in an open position;

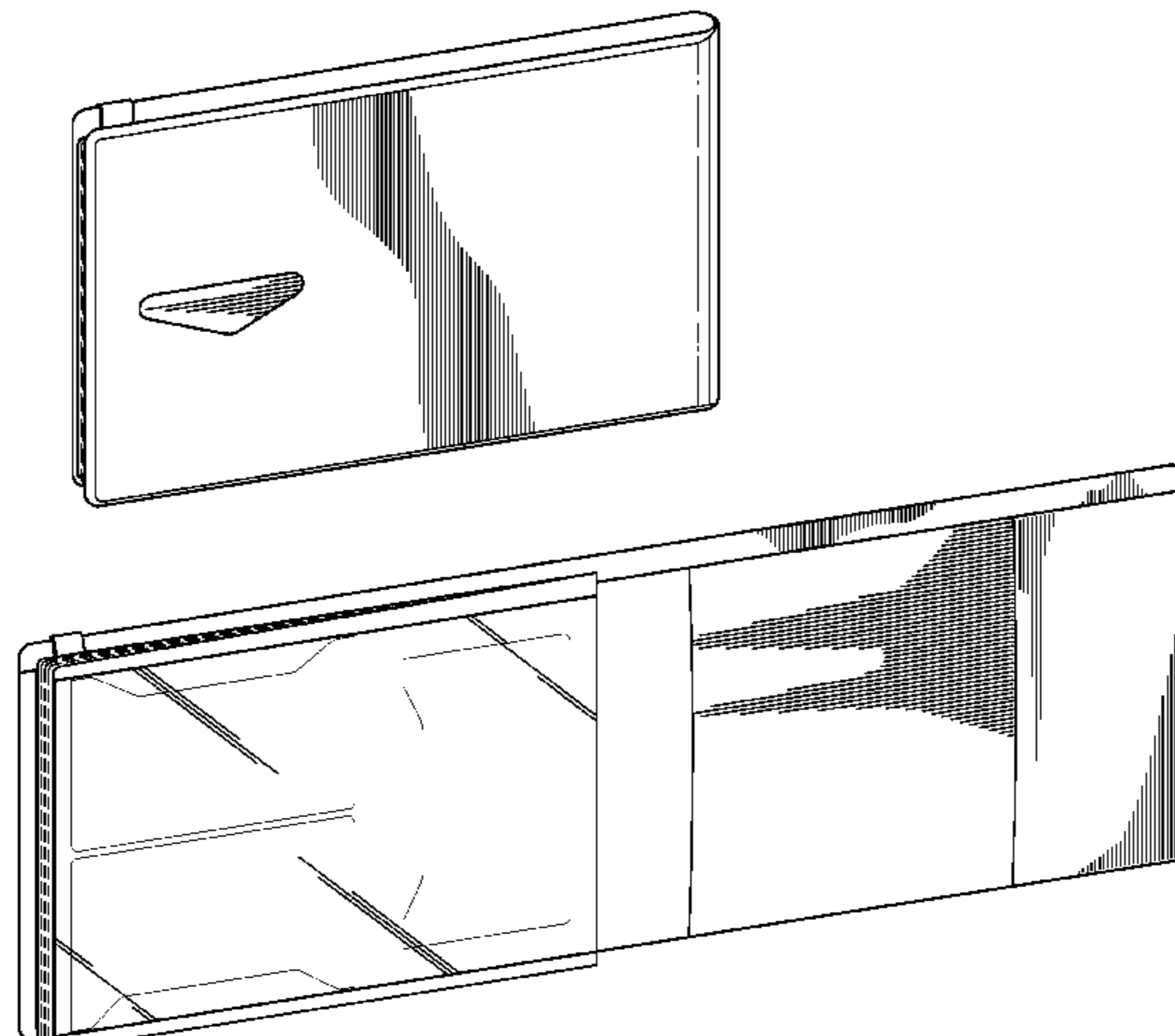
FIG. 22 is a front, side perspective view of the insert for the organizer; and,

FIG. 23 is a rear, side perspective view of the insert for the organizer.

The broken lines showing pages are for the purposes of illustrating environment and form no part of the claimed design.

The elements of the claimed design are shown detached for ease and clarity of illustration.

1 Claim, 13 Drawing Sheets



US D671,315 S

Page 2

U.S. PATENT DOCUMENTS

4,932,520	A	6/1990	Ciarcia et al.		7,370,794	B2	5/2008	Trane	
4,973,184	A	11/1990	La Salle		D578,756	S *	10/2008	Huber	D3/249
D344,182	S *	2/1994	Guzman-Rosario	D3/247	7,546,860	B1	6/2009	Mehdizadeh	
D369,239	S *	4/1996	Deutch	D3/247	7,607,463	B2	10/2009	Huber	
5,713,406	A *	2/1998	Drury	150/132	D633,714	S *	3/2011	Marshall	D3/247
D450,184	S *	11/2001	Gribovsky	D3/250	2011/0001313	A1	1/2011	Gwin et al.	
6,808,208	B2	10/2004	Ward		2011/0210022	A1	9/2011	Degel	
D547,547	S *	7/2007	Maurion	D3/247					

* cited by examiner

FIG. 1

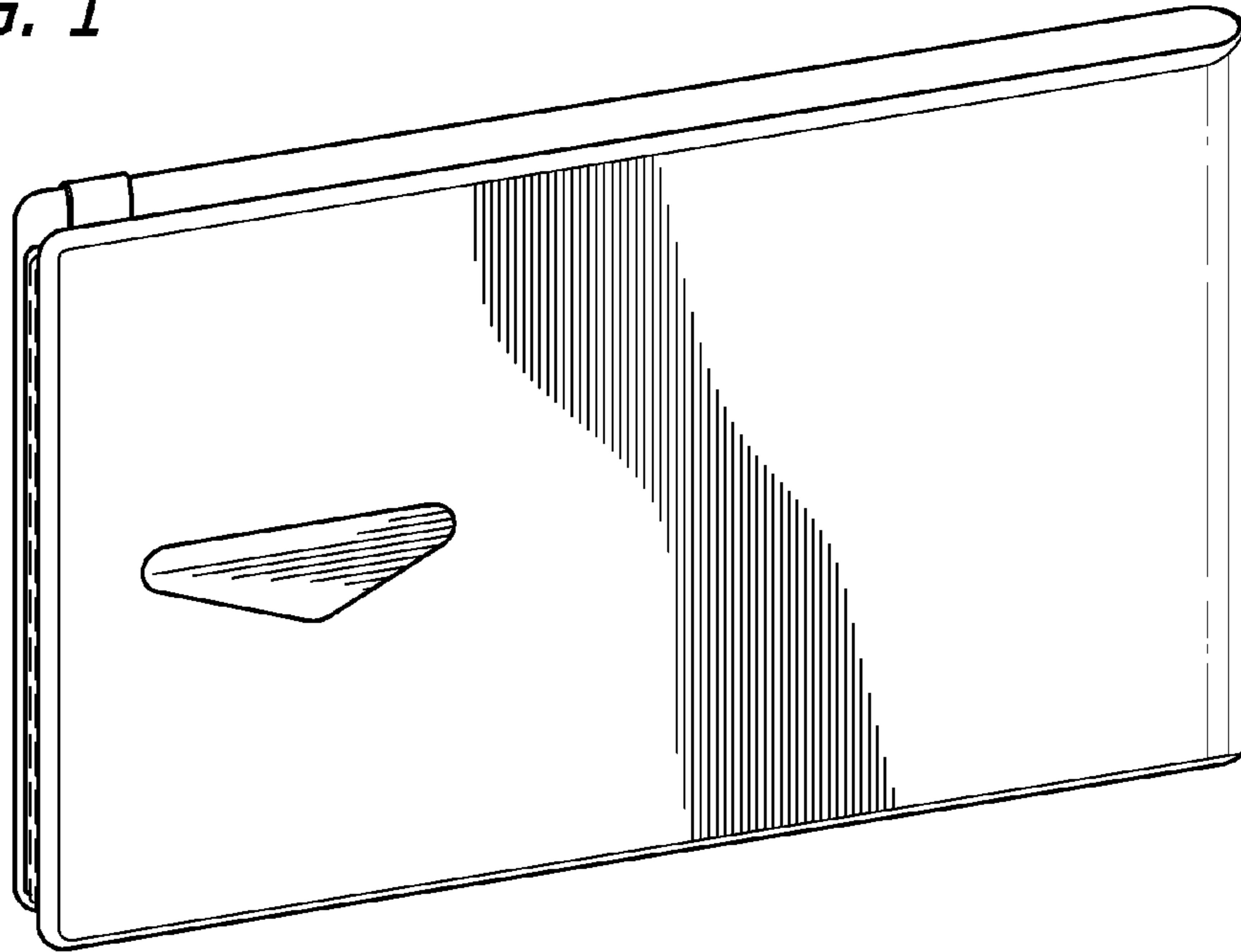


FIG. 2



FIG. 3



FIG. 4

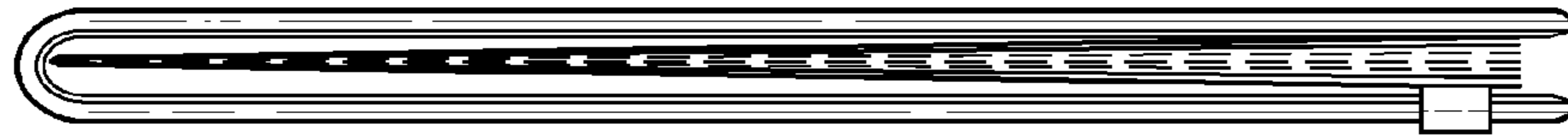


FIG. 5

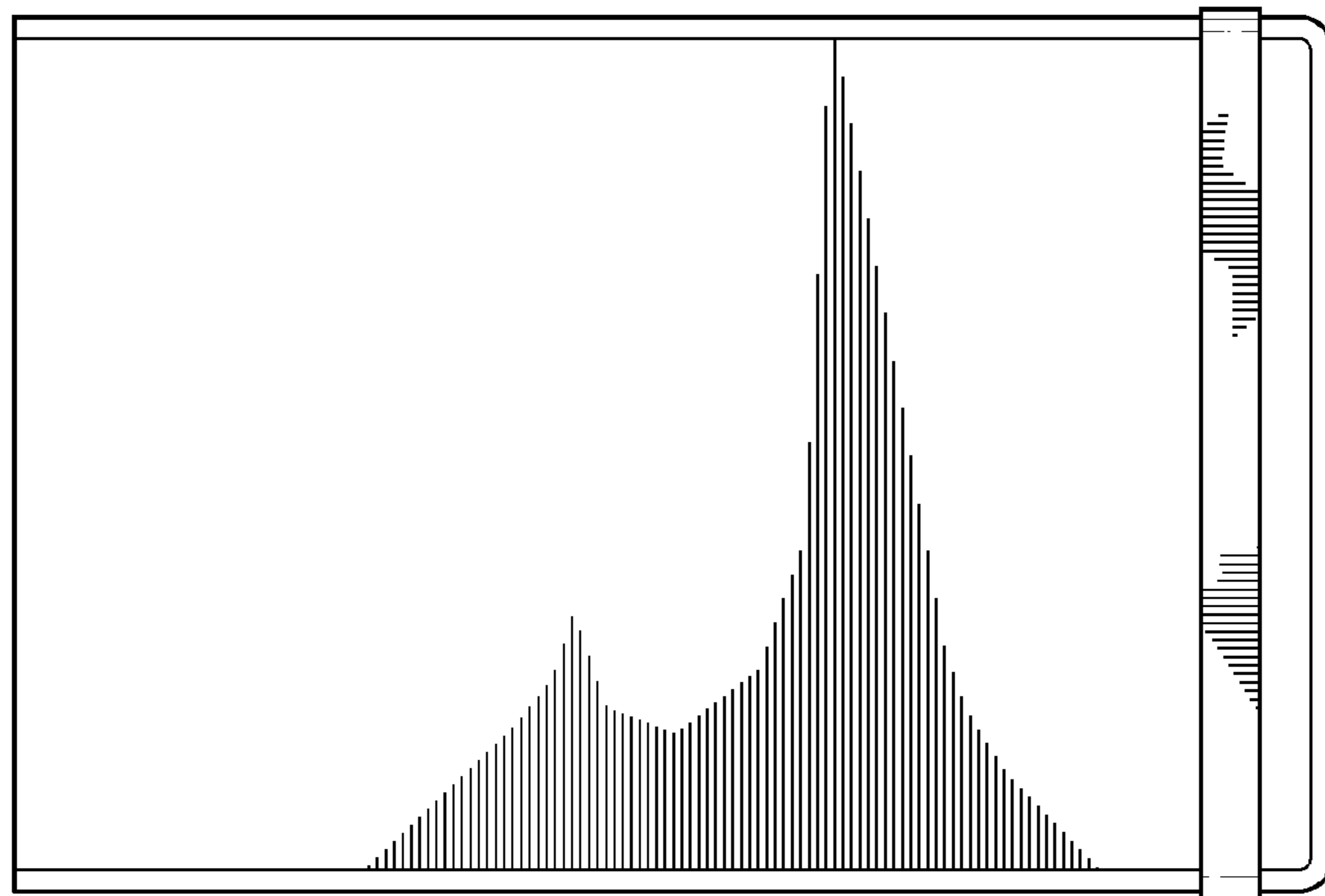


FIG. 6

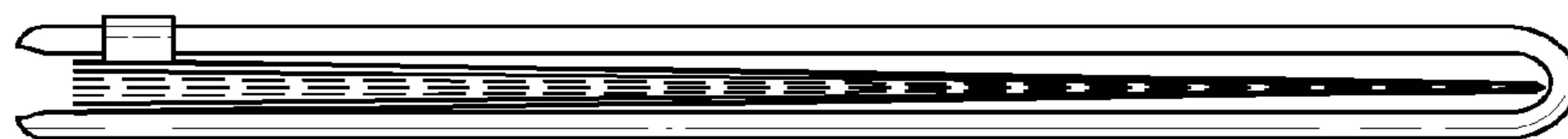
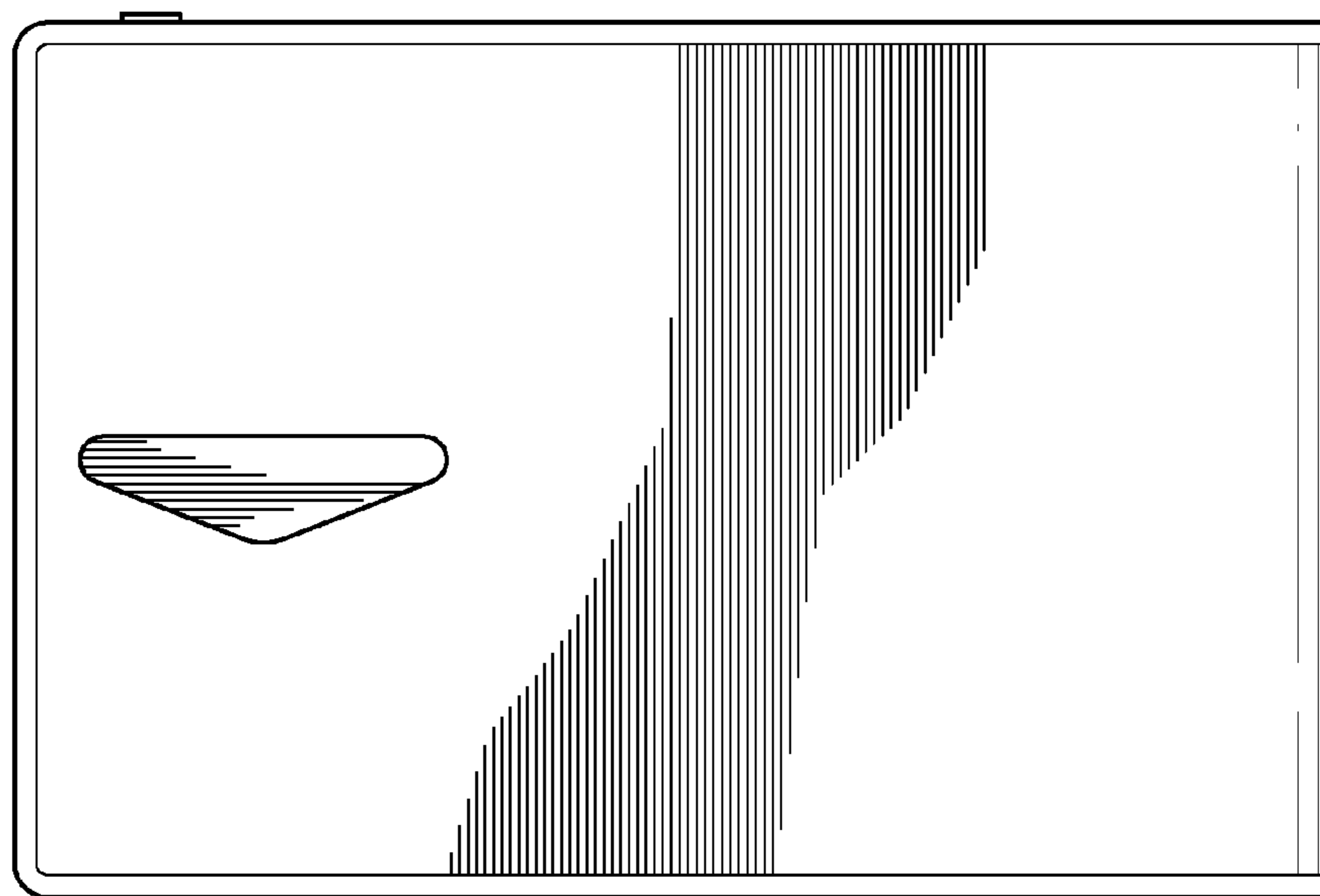


FIG. 7



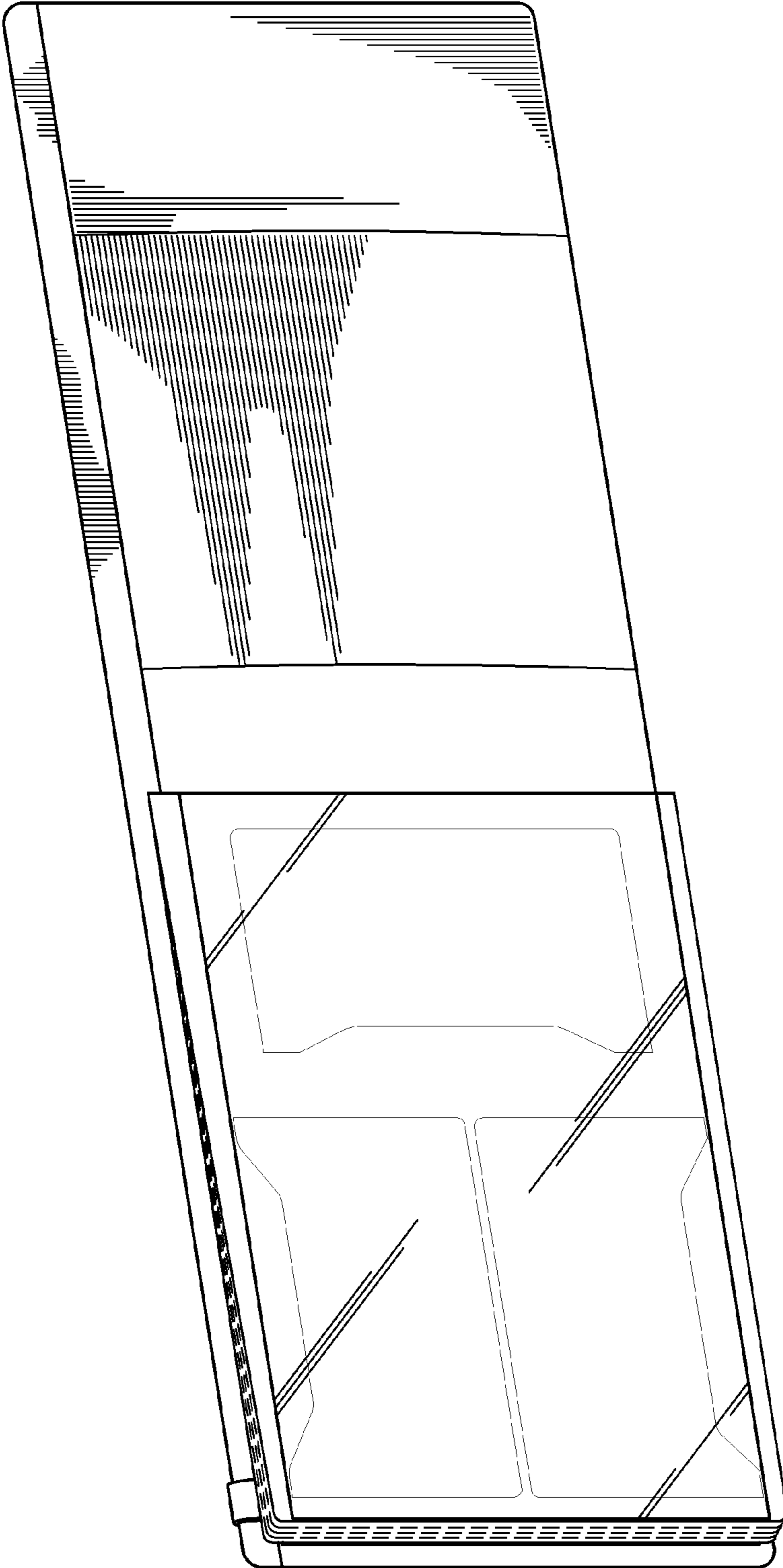


FIG. 8

FIG. 9

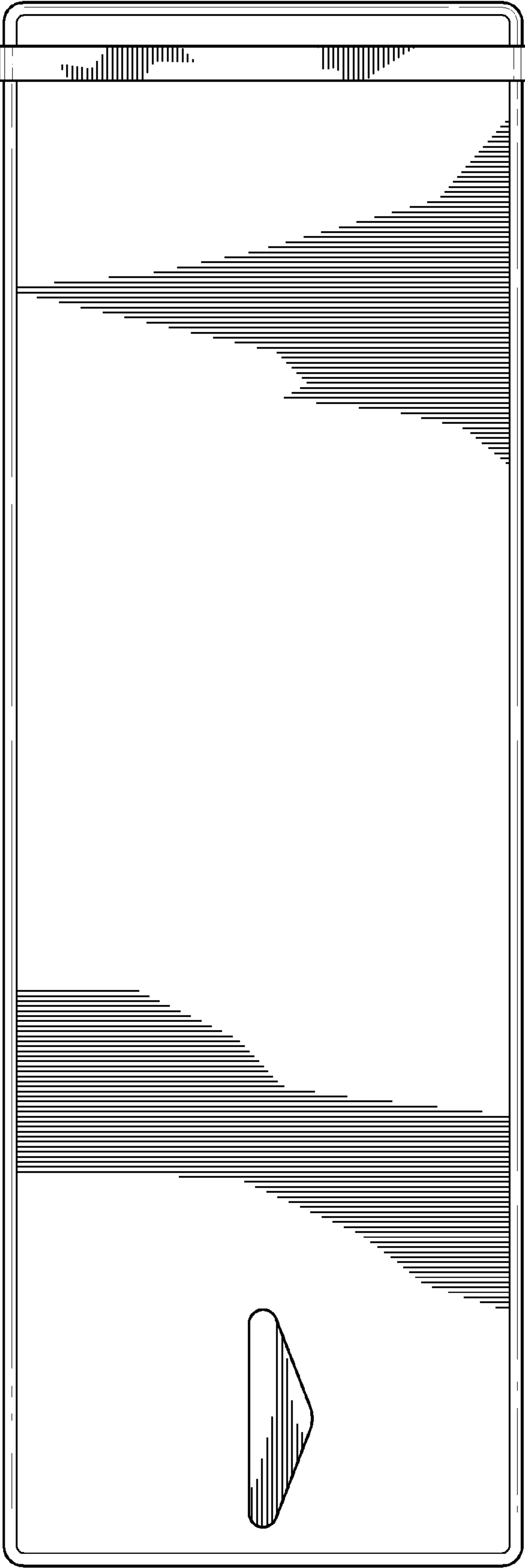
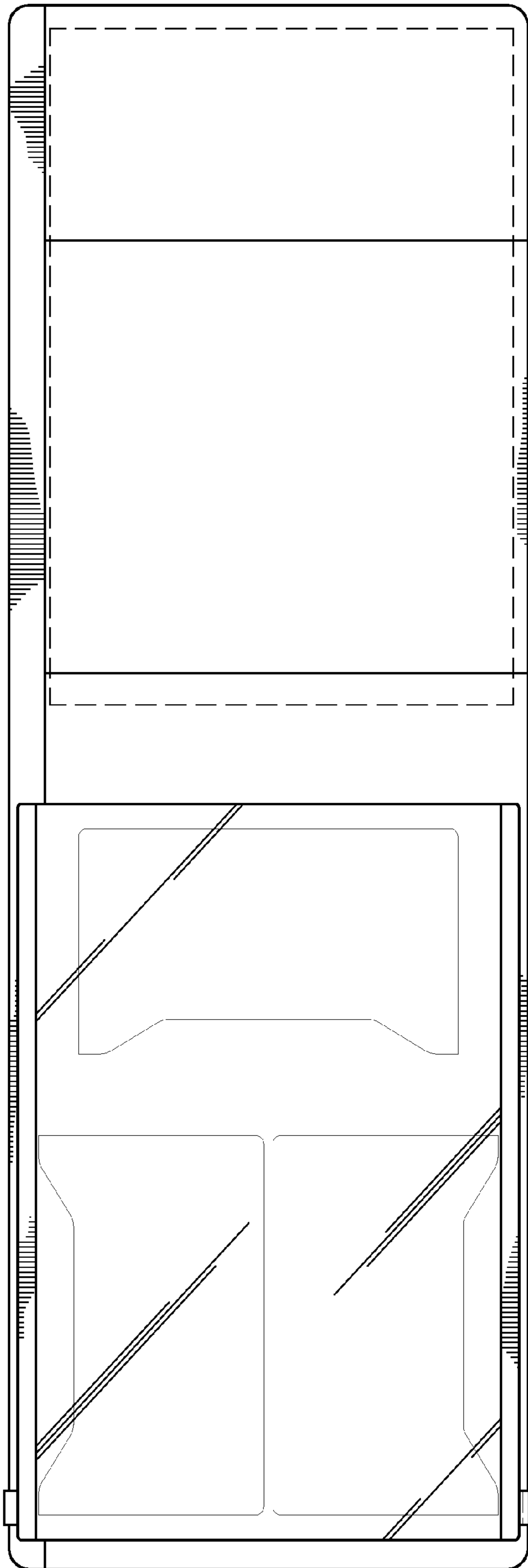


FIG. 10



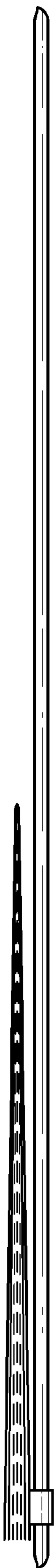


FIG. 11

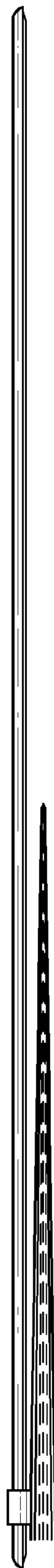


FIG. 12

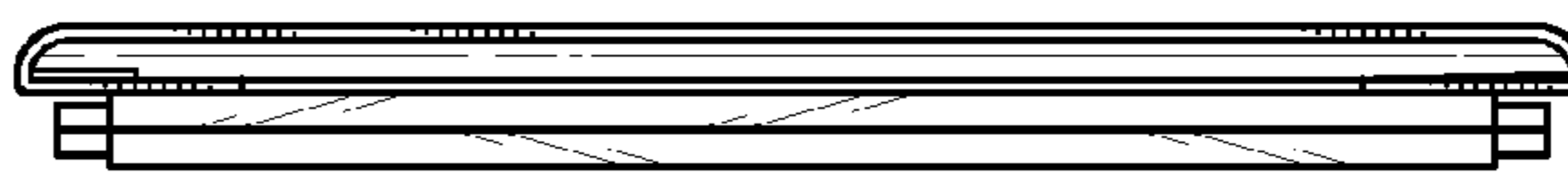


FIG. 14

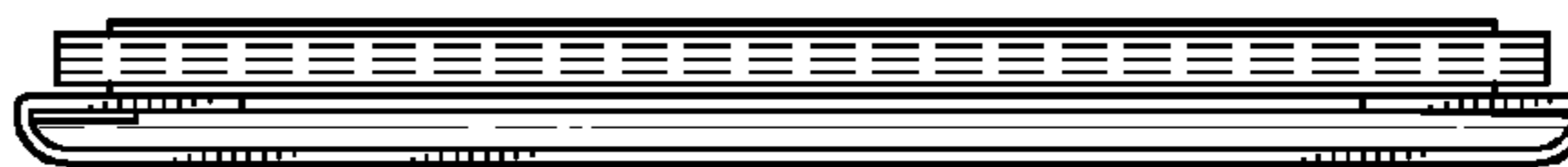
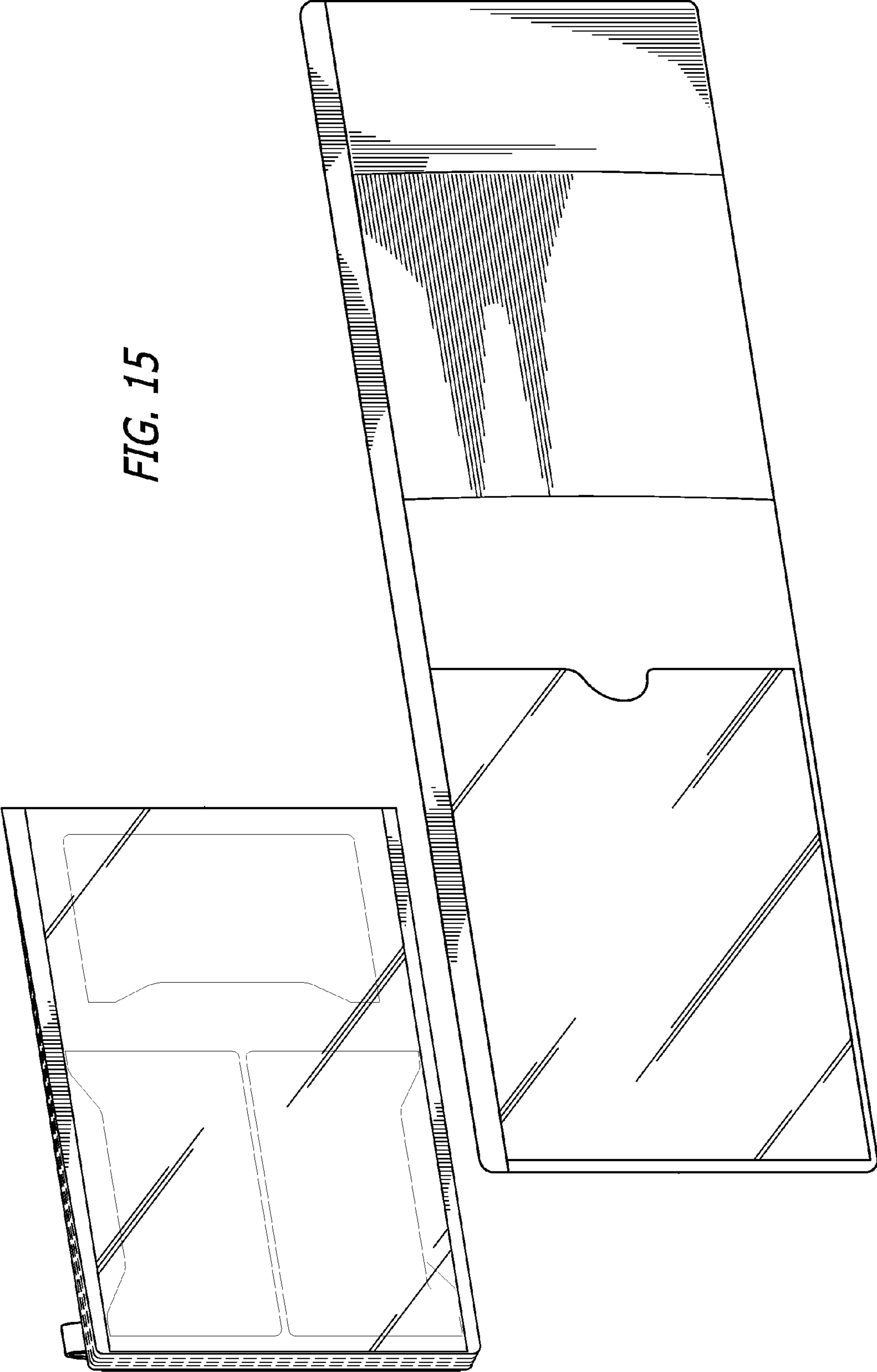
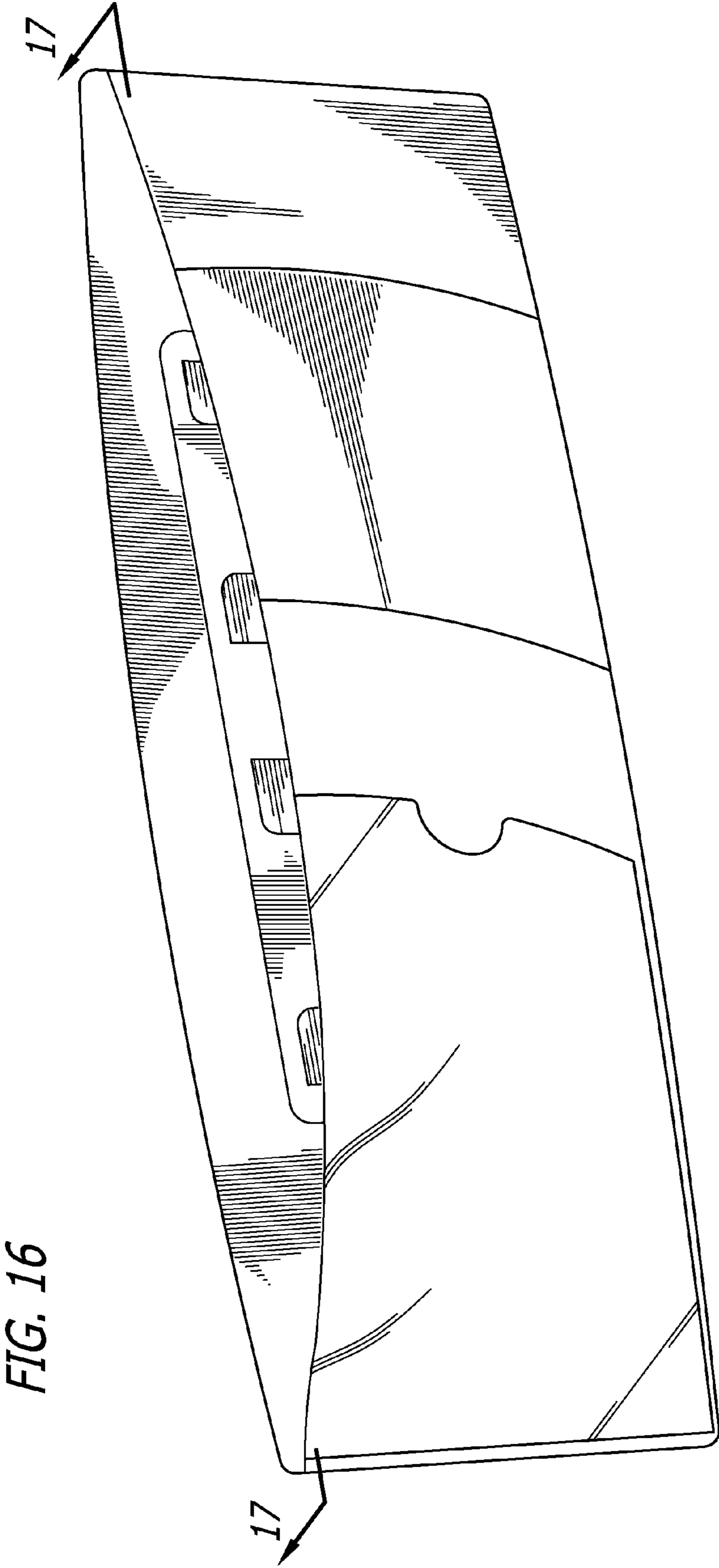


FIG. 13

FIG. 15





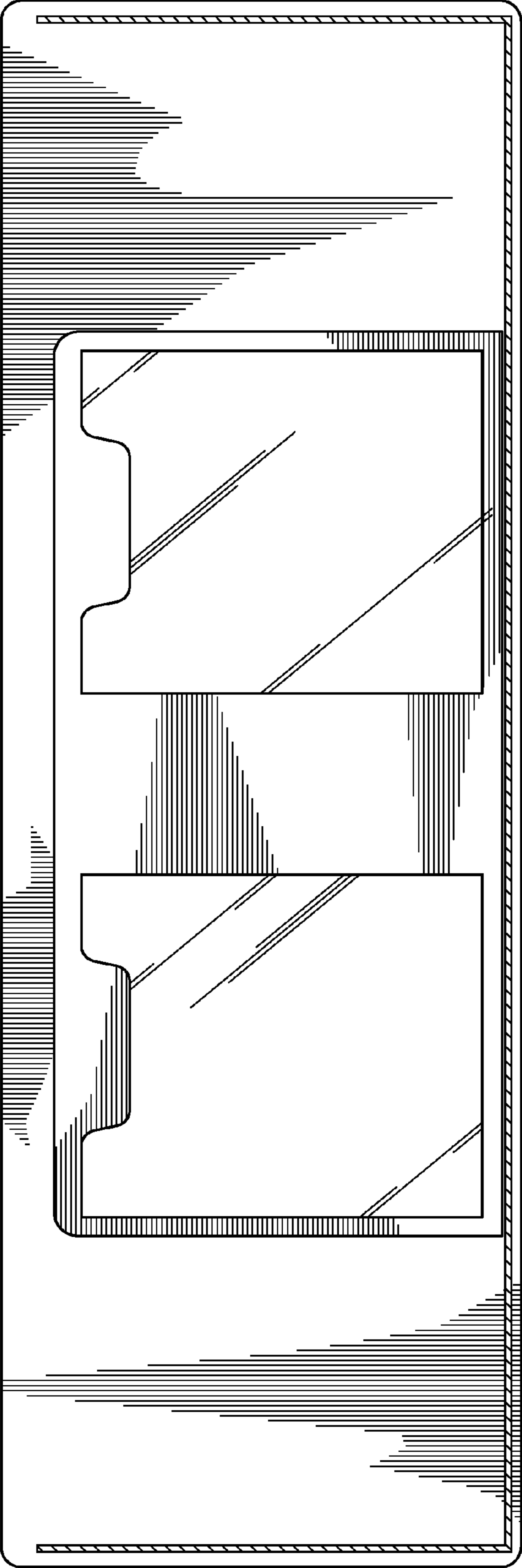
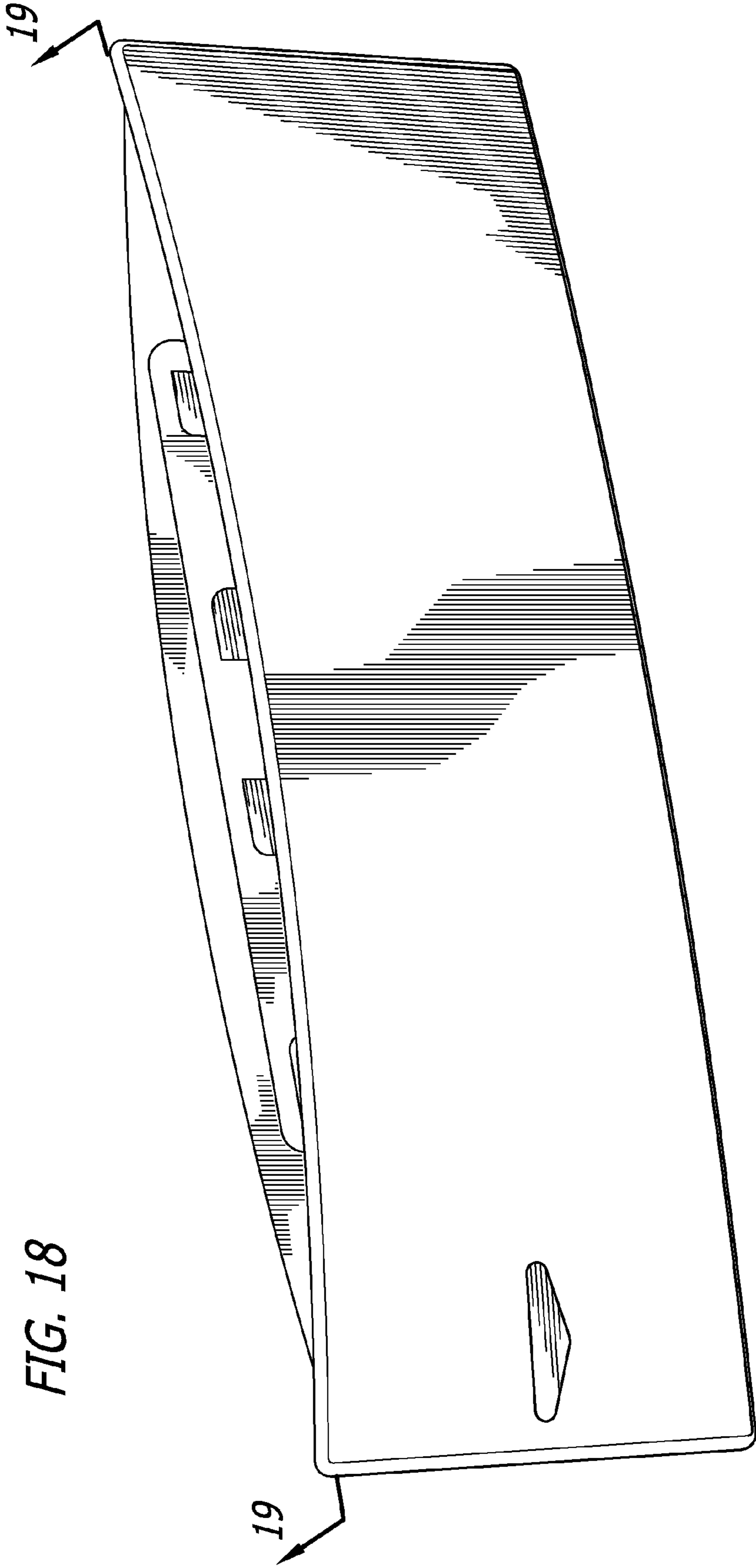


FIG. 17



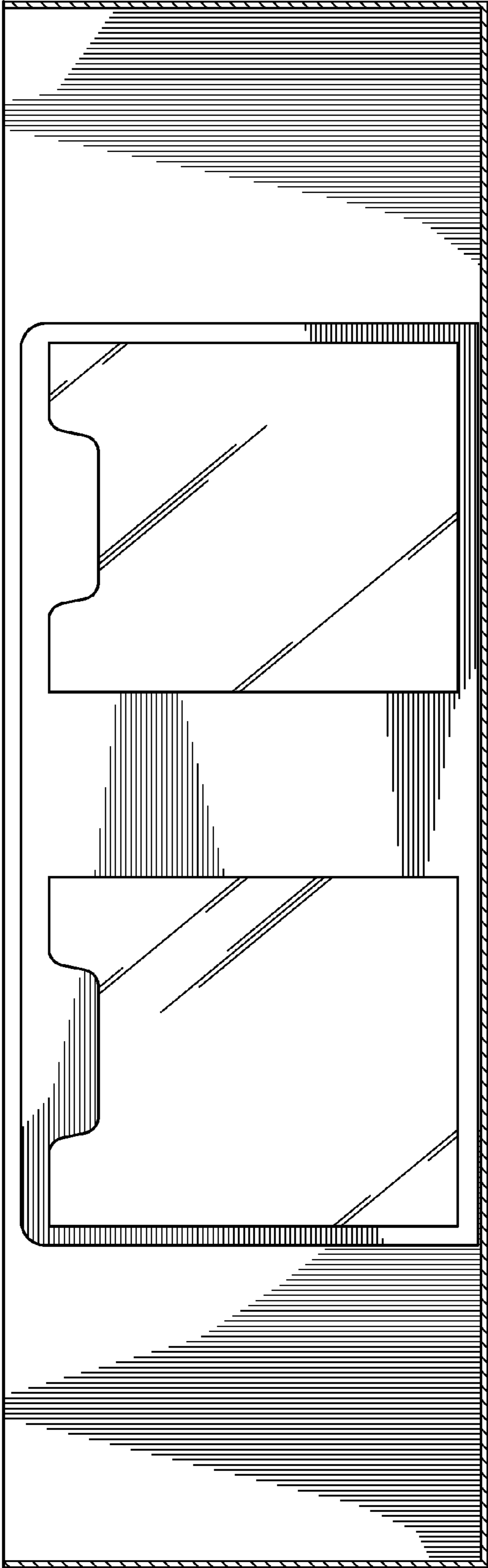


FIG. 19

FIG. 20

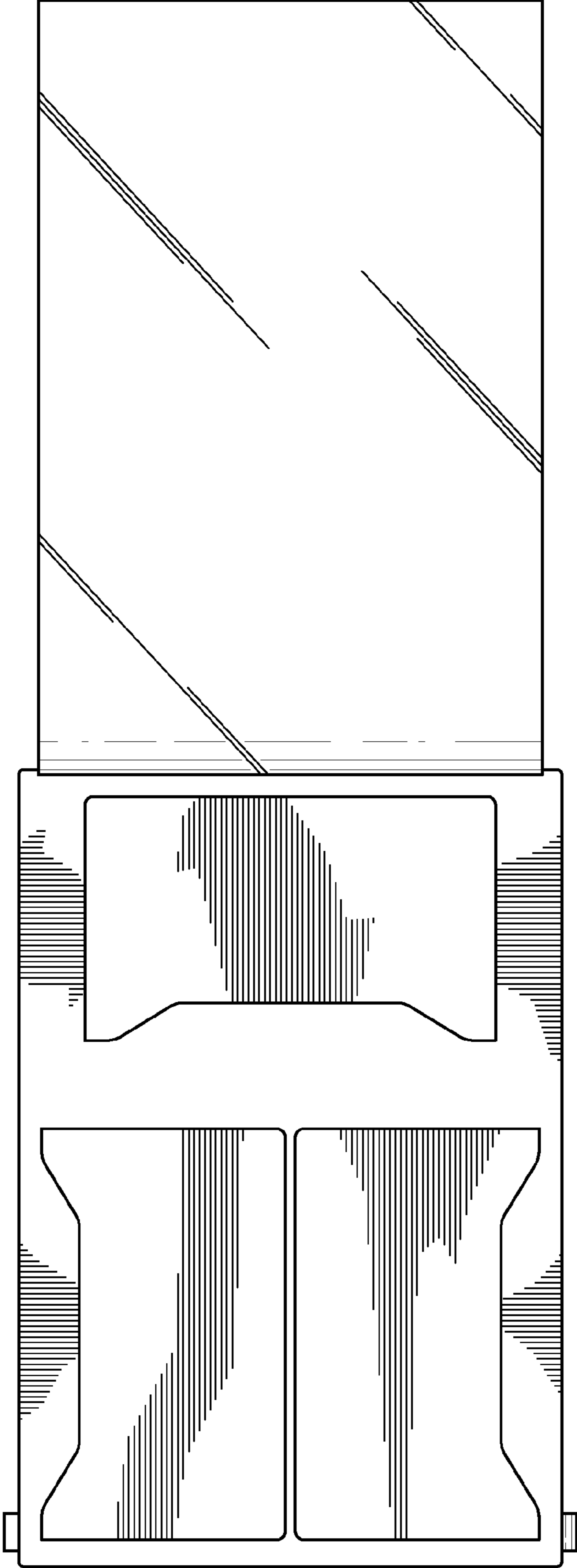


FIG. 21



FIG. 22

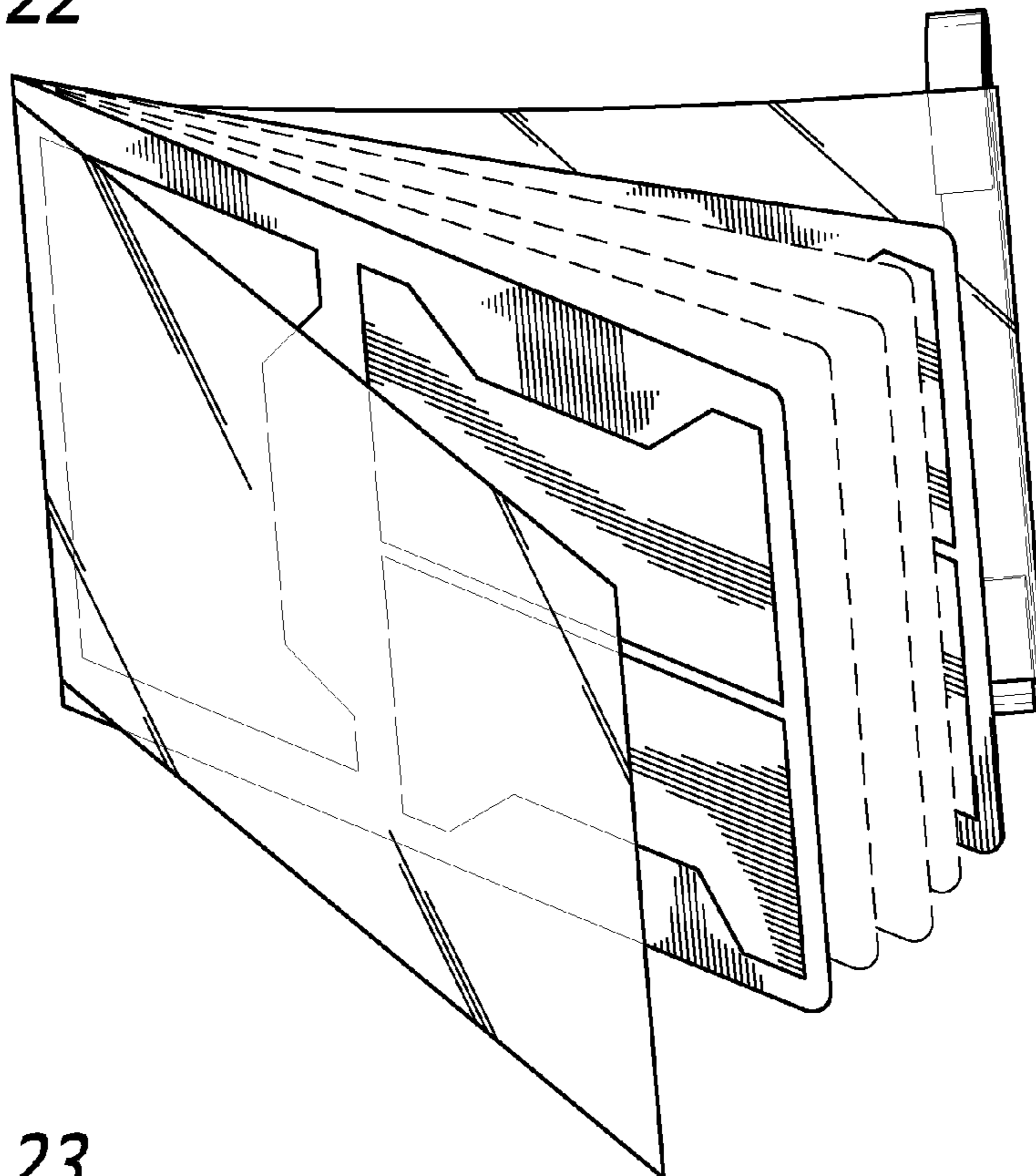


FIG. 23

