



US00D671310S

(12) **United States Design Patent**  
**Phillips et al.**

(10) **Patent No.:** **US D671,310 S**  
(45) **Date of Patent:** **\*\* Nov. 27, 2012**

(54) **DEVICE HOLSTER**

(75) Inventors: **Alison Phillips**, Toronto (CA); **Caitlin Curran-Blaney**, Toronto (CA)

(73) Assignee: **Research In Motion Limited**, Waterloo, Ontario (CA)

(\*\*) Term: **14 Years**

(21) Appl. No.: **29/405,018**

(22) Filed: **Oct. 27, 2011**

(51) **LOC (9) Cl.** ..... **03-01**

(52) **U.S. Cl.** ..... **D3/218**

(58) **Field of Classification Search** ..... D3/201,  
D3/215-219, 226, 269, 272-273, 265, 247-249;  
206/305, 320; 455/90, 92, 42; 379/455,  
379/575.1-575.8; 224/250, 666, 674-677,  
224/682-683, 24, 901; D14/496, 156, 138,  
D14/250, 253

See application file for complete search history.

(56) **References Cited**

U.S. PATENT DOCUMENTS

D382,996 S *	9/1997	Kopel .....	D3/218
D453,417 S *	2/2002	Badillo et al. ....	D3/218
D534,720 S *	1/2007	Infanti et al. ....	D3/218
D587,896 S *	3/2009	Aipa .....	D3/201
D609,463 S *	2/2010	Bullen .....	D3/218
D609,900 S *	2/2010	Behar et al. ....	D3/201

\* cited by examiner

*Primary Examiner* — Catheri Oliver-Garcia

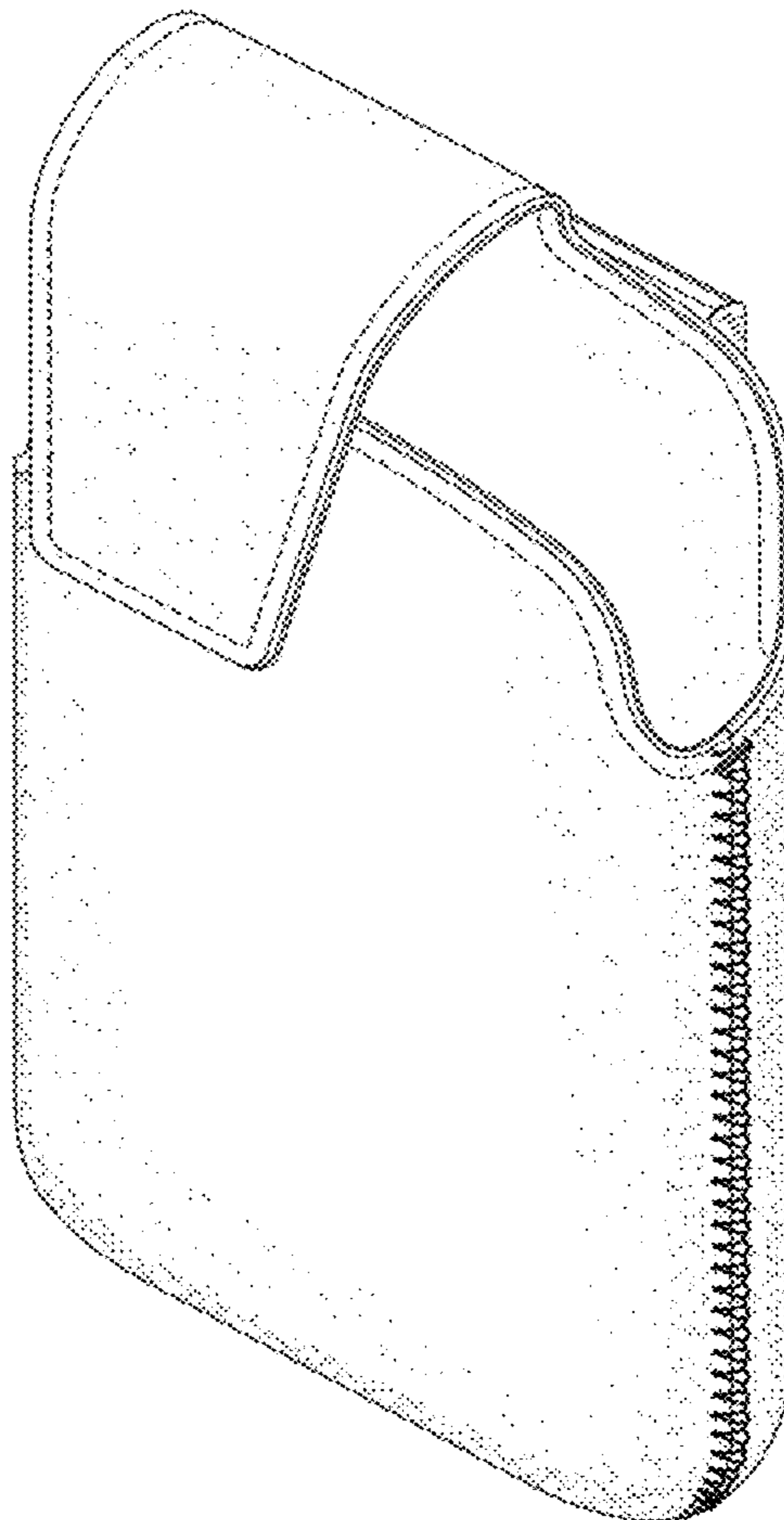
(57) **CLAIM**

We claim the ornamental design for a device holster, as shown and described.

**DESCRIPTION**

FIG. 1 is a front perspective view of a device holster;  
FIG. 2 is a front elevational view of the device holster;  
FIG. 3 is a rear elevational view thereof;  
FIG. 4 is a left elevational view thereof;  
FIG. 5 is a right elevational view thereof;  
FIG. 6 is a top plan view thereof; and,  
FIG. 7 is a bottom plan view thereof.

**1 Claim, 5 Drawing Sheets**



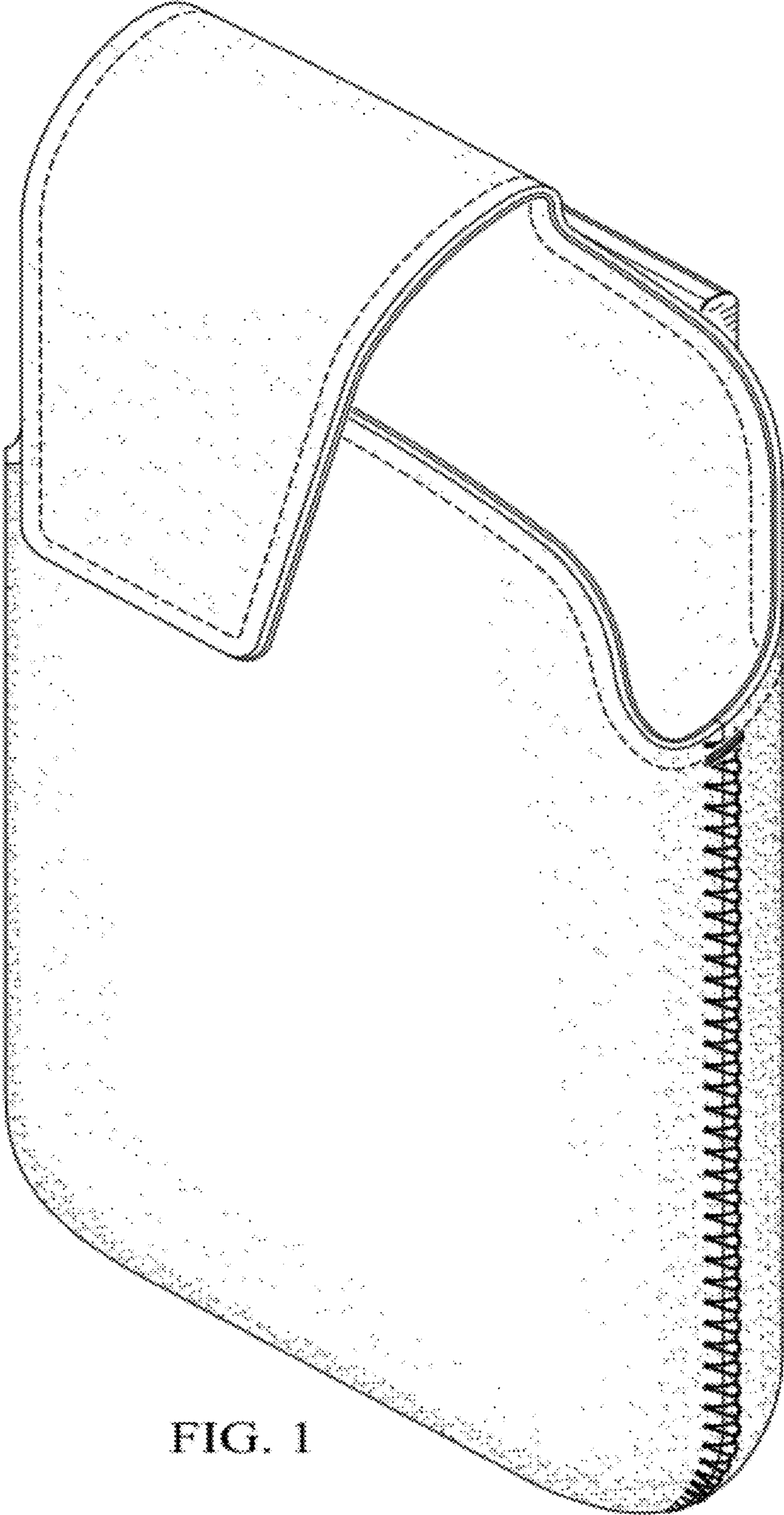


FIG. 1

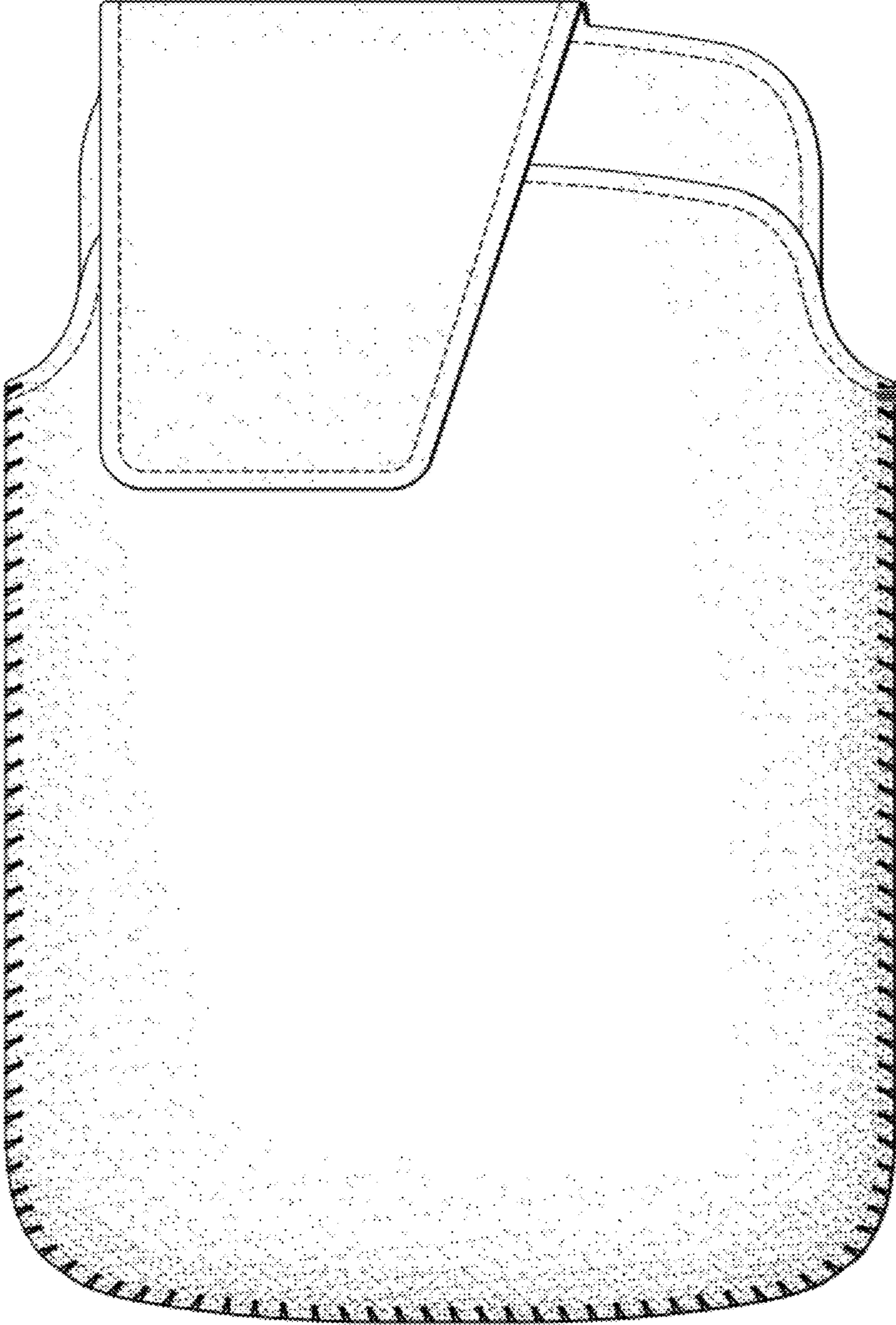


FIG. 2

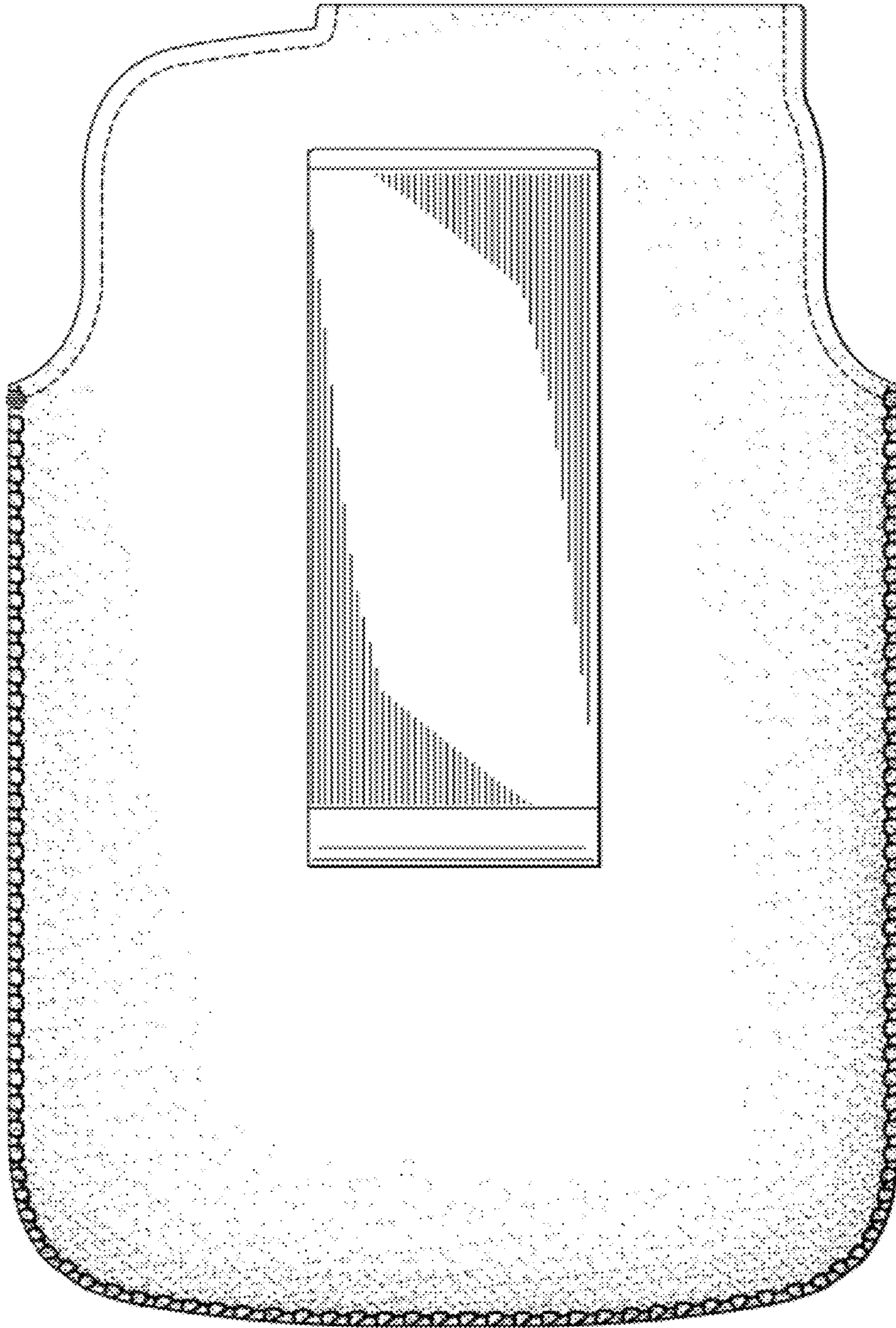


FIG. 3

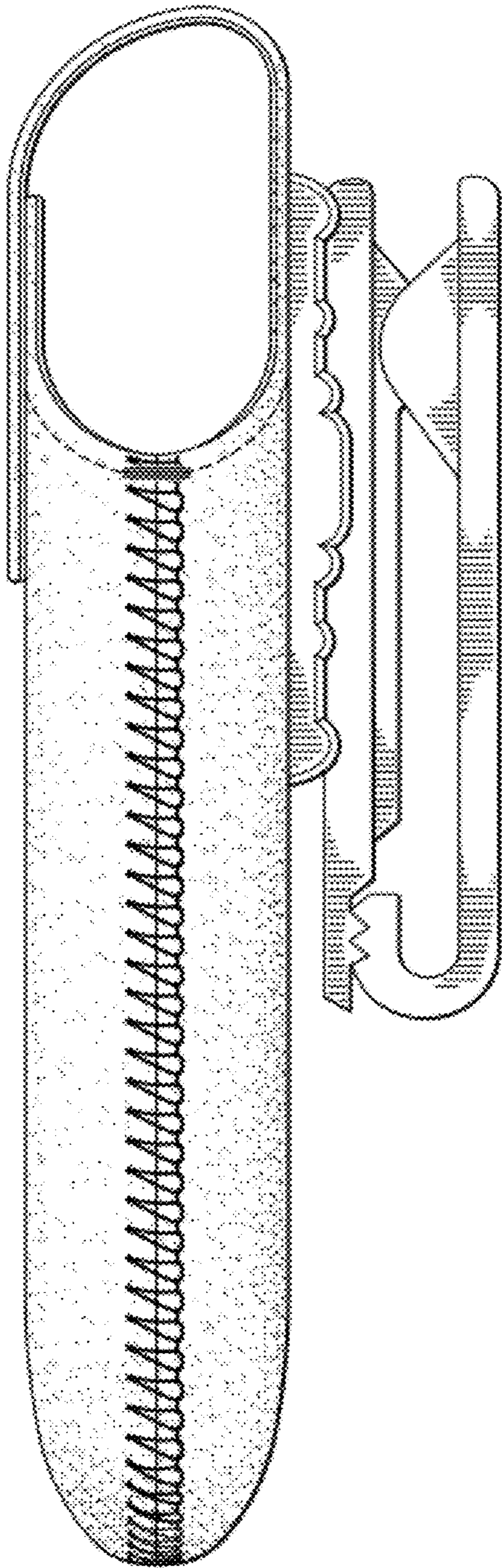


FIG. 4

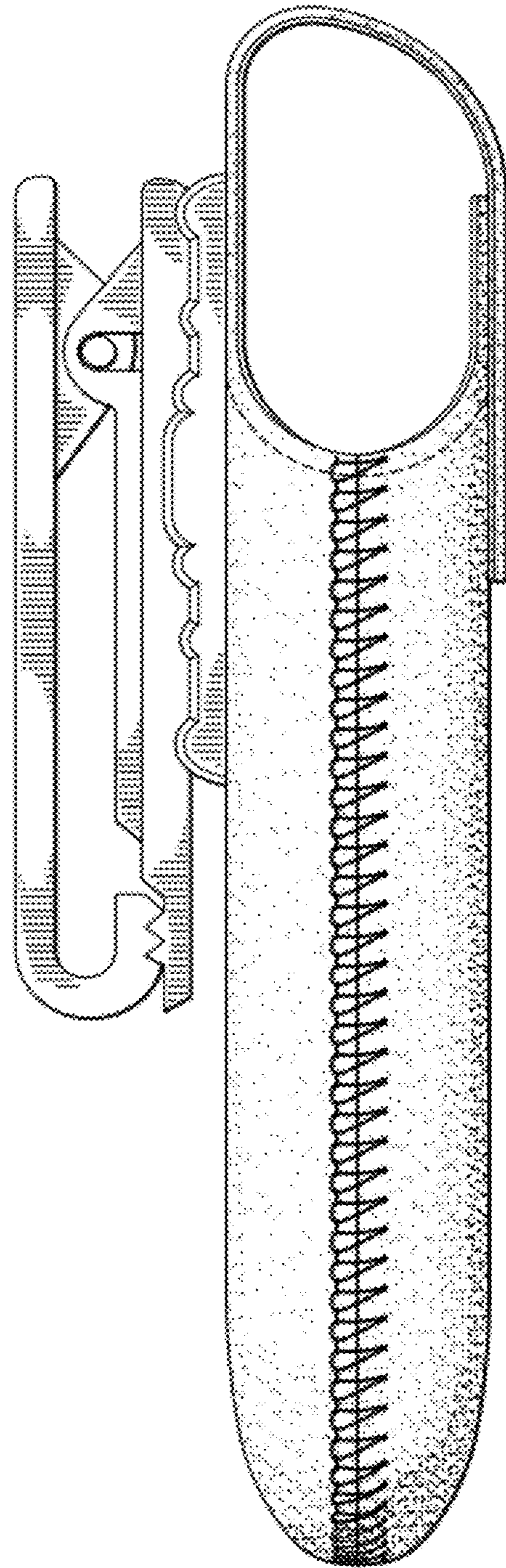


FIG. 5

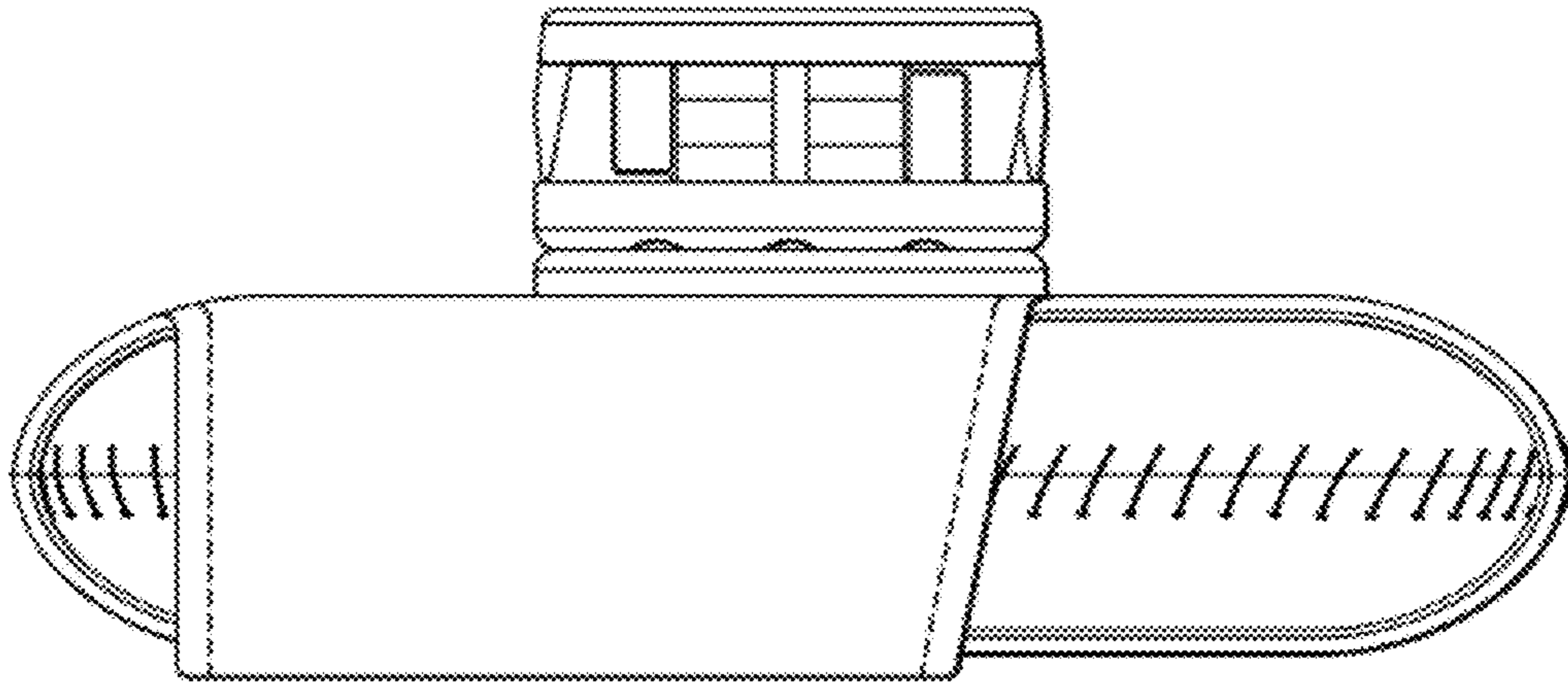


FIG. 6

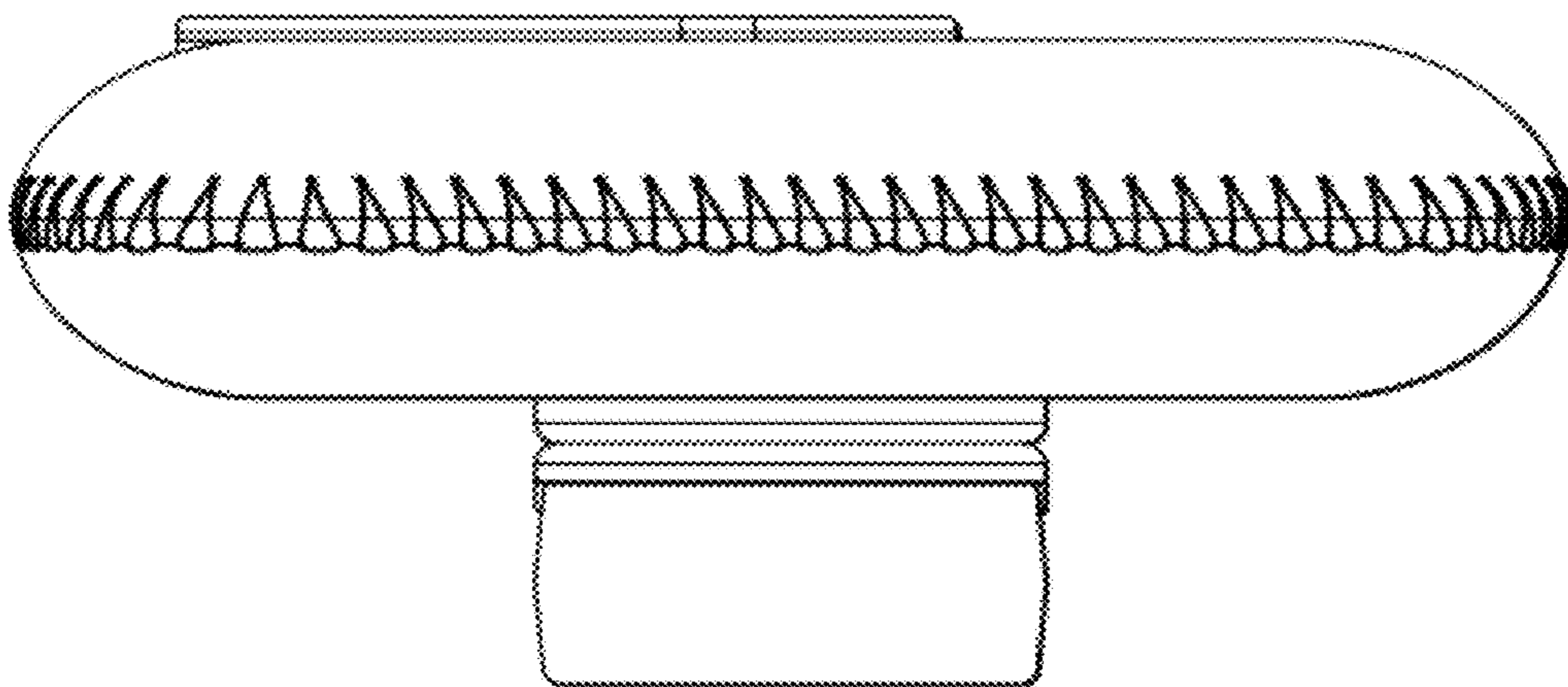


FIG. 7