



US00D671308S

(12) **United States Design Patent**
Treanor

(10) **Patent No.:** **US D671,308 S**

(45) **Date of Patent:** **** Nov. 27, 2012**

(54) **ATTACHABLE GROUND SURFACE
STABILIZATION PLATE FOR A CANE**

(76) Inventor: **Patrick Treanor**, Lake Havasu City, AZ
(US)

(**) Term: **14 Years**

(21) Appl. No.: **29/389,307**

(22) Filed: **Apr. 8, 2011**

(51) **LOC (9) Cl.** **03-03**

(52) **U.S. Cl.** **D3/17**

(58) **Field of Classification Search** D3/5-17;
135/66-69, 74, 75, 65, 70-73, 76-85; D21/725,
D21/780; D12/130, 133; D6/495

See application file for complete search history.

(56) **References Cited**

U.S. PATENT DOCUMENTS

D32,373	S	3/1900	Smith et al.	
4,274,430	A *	6/1981	Schaaf et al.	135/65
D272,677	S	2/1984	Bove et al.	
D324,946	S	3/1992	Karten	
5,385,163	A *	1/1995	Fairchild	135/65
5,456,437	A *	10/1995	Chander et al.	248/316.7
5,533,536	A *	7/1996	Hong	135/65
5,692,533	A *	12/1997	Meltzer	135/65
5,794,638	A *	8/1998	Richey et al.	135/65
D411,653	S	6/1999	Richey et al.	
D522,232	S	6/2006	Karasin et al.	
D590,591	S *	4/2009	Yates	D3/9
D621,601	S *	8/2010	Greissinger	D3/7
2011/0220161	A1 *	9/2011	Jordan et al.	135/66

* cited by examiner

Primary Examiner — T. Chase Nelson

Assistant Examiner — Ania Aman

(74) *Attorney, Agent, or Firm* — Mark V. Loen

(57) **CLAIM**

The ornamental design for an attachable ground surface stabilization plate for a cane, as shown and described.

DESCRIPTION

FIG. 1 is an isometric view of one embodiment of an attachable ground surface stabilization plate for a cane to a quad legged cane;

FIG. 2 is a bottom view of an attachable ground surface stabilization plate for a cane to a quad legged cane;

FIG. 3 is a right side view an attachable ground surface stabilization plate for a cane to a quad legged cane;

FIG. 4 is a top view of an attachable ground surface stabilization plate for a cane to a quad legged cane;

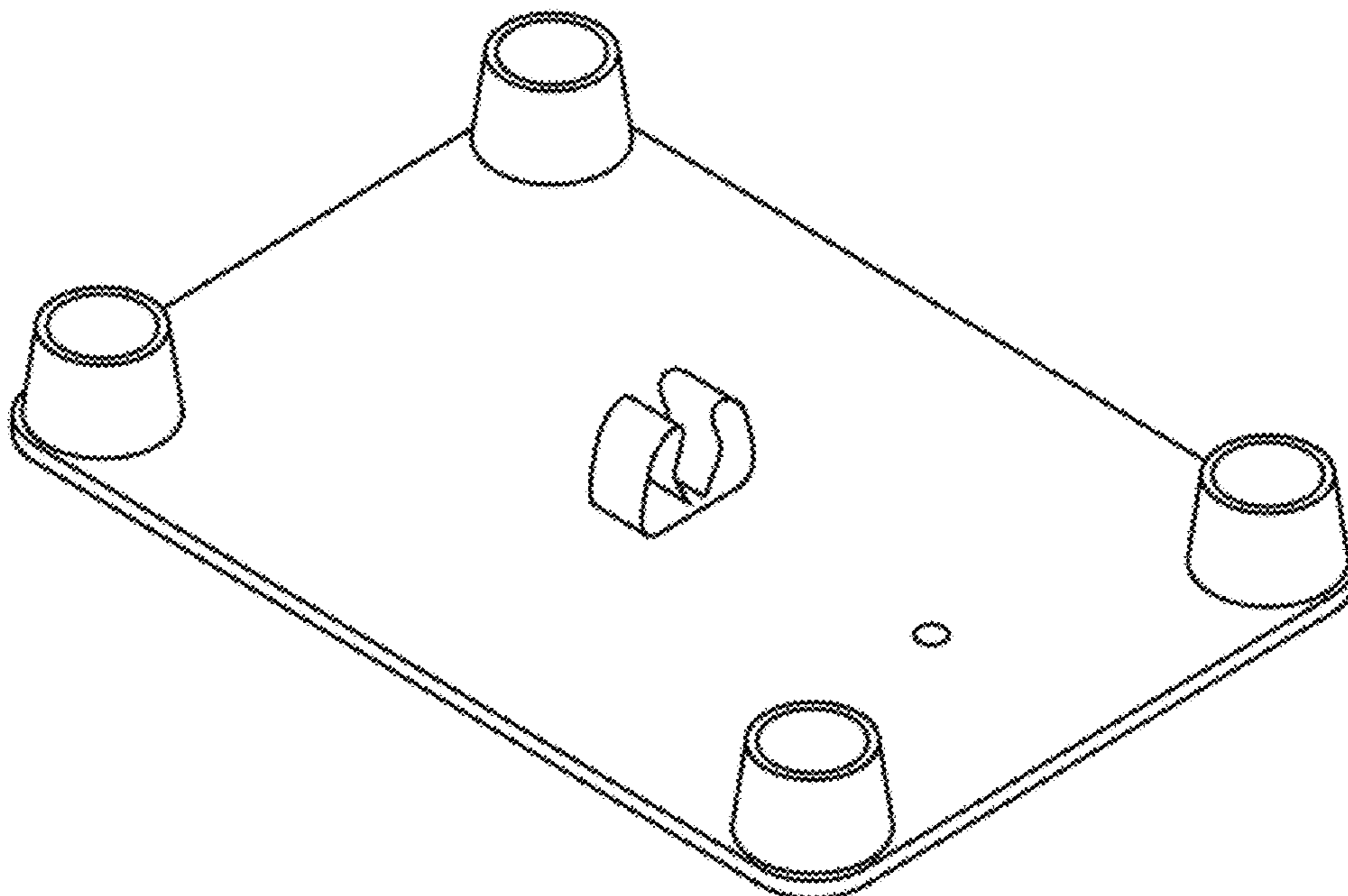
FIG. 5 is an end side view of an attachable ground surface stabilization plate for a cane to a quad legged cane;

FIG. 6 is another isometric view of an attachable ground surface stabilization plate for a cane to a quad legged cane; and,

FIG. 7 is an other isometric view of an attachable ground surface stabilization plate for a cane to a quad legged cane.

The broken lines shown in the drawings are for purposes of illustrating the environmental structure associated with the claimed design in condition of use, and which forms no part of the claimed design.

1 Claim, 4 Drawing Sheets



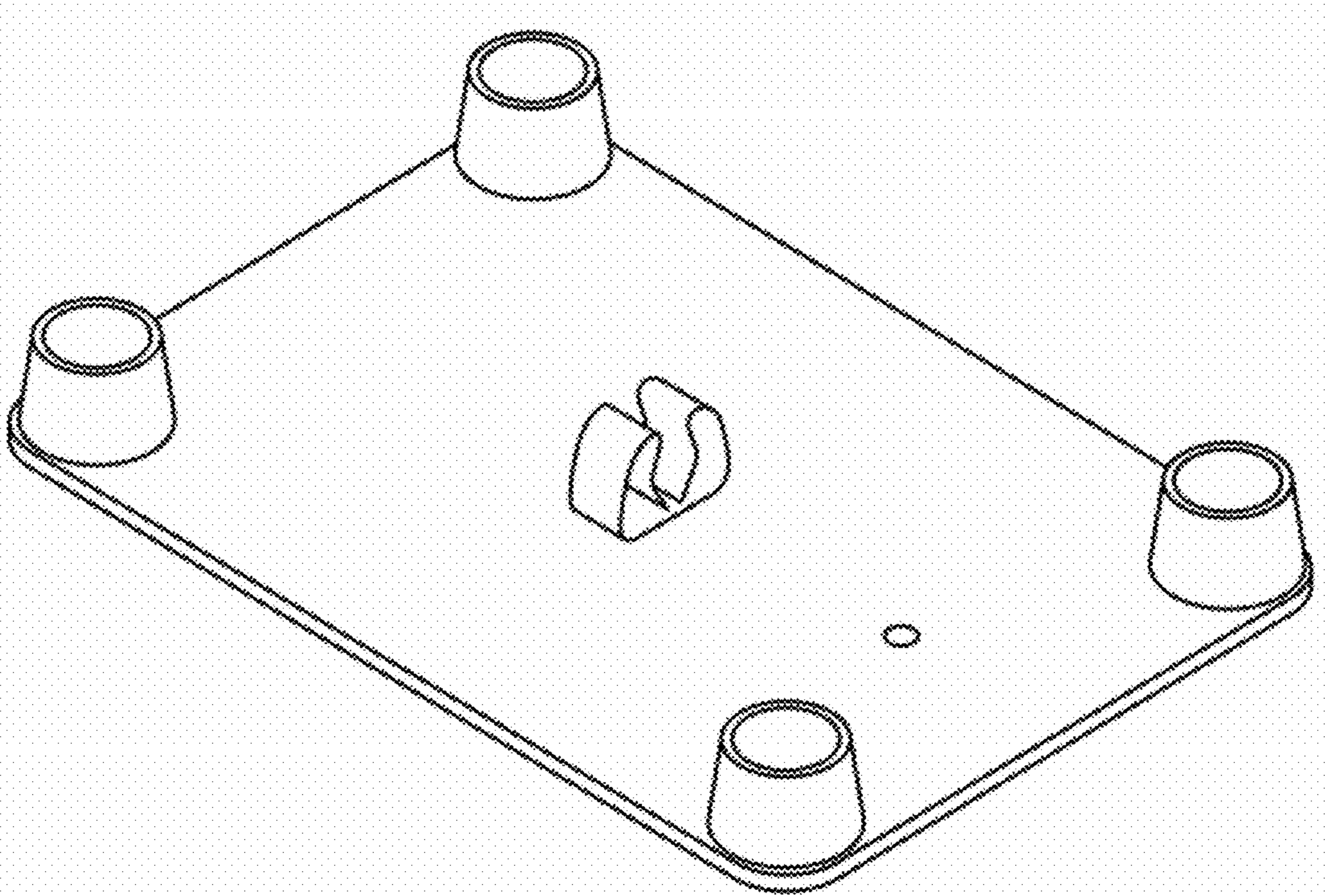


FIG. 1

FIG. 5

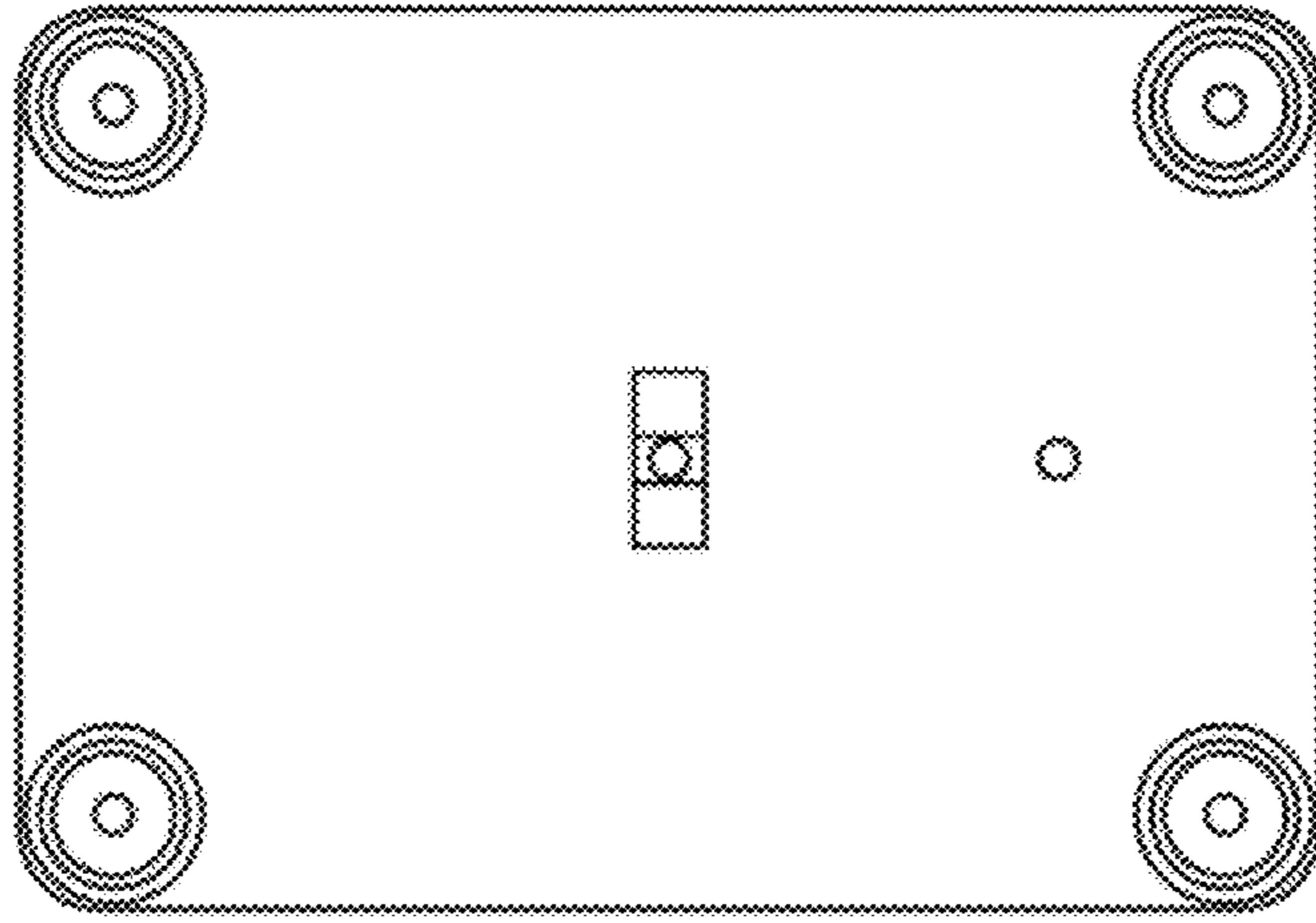
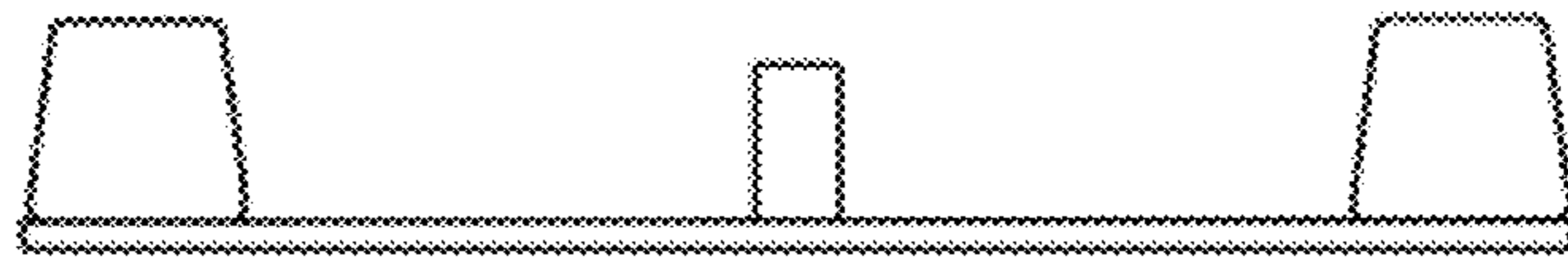
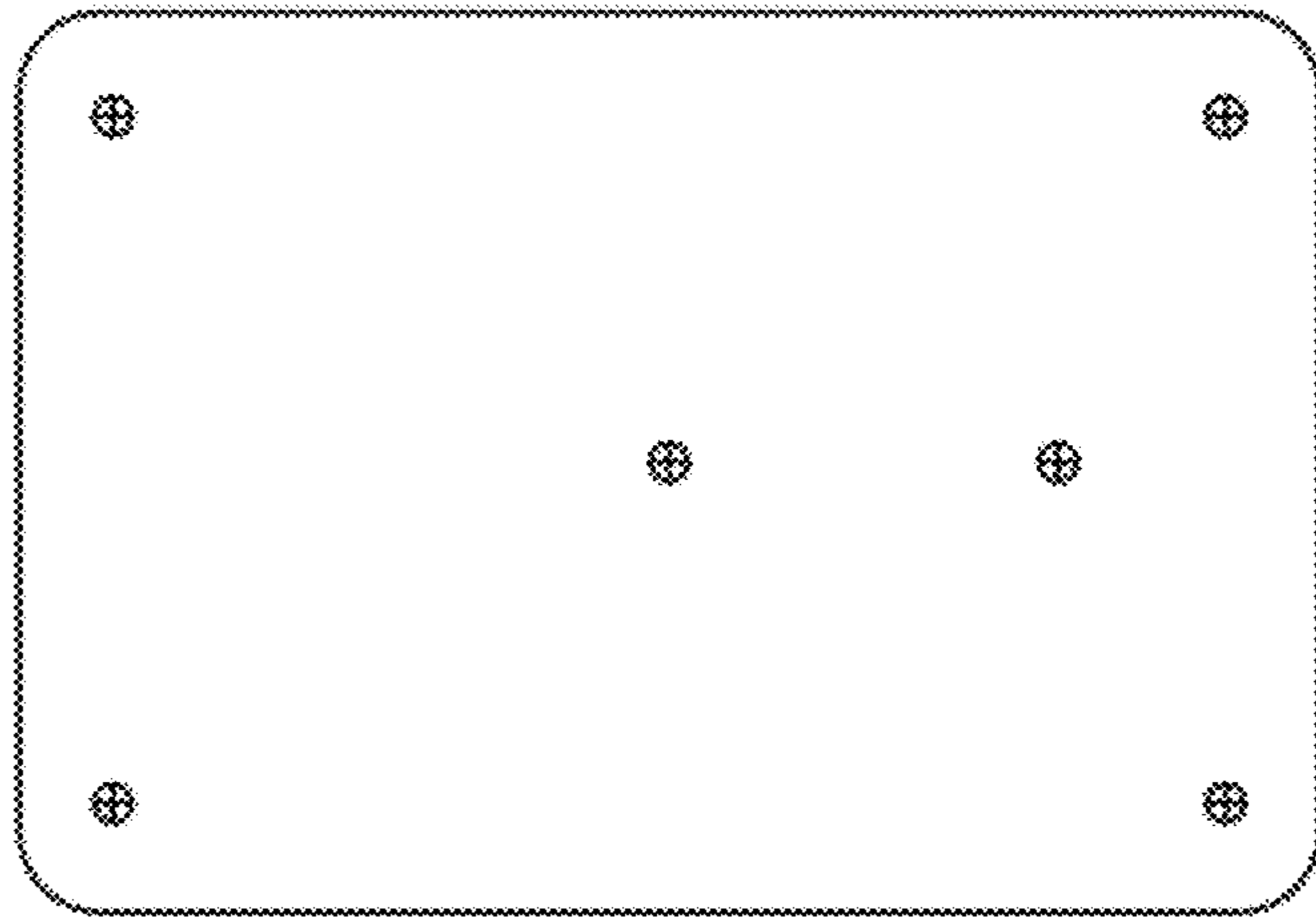


FIG. 2

FIG. 3

FIG. 4

FIG. 5

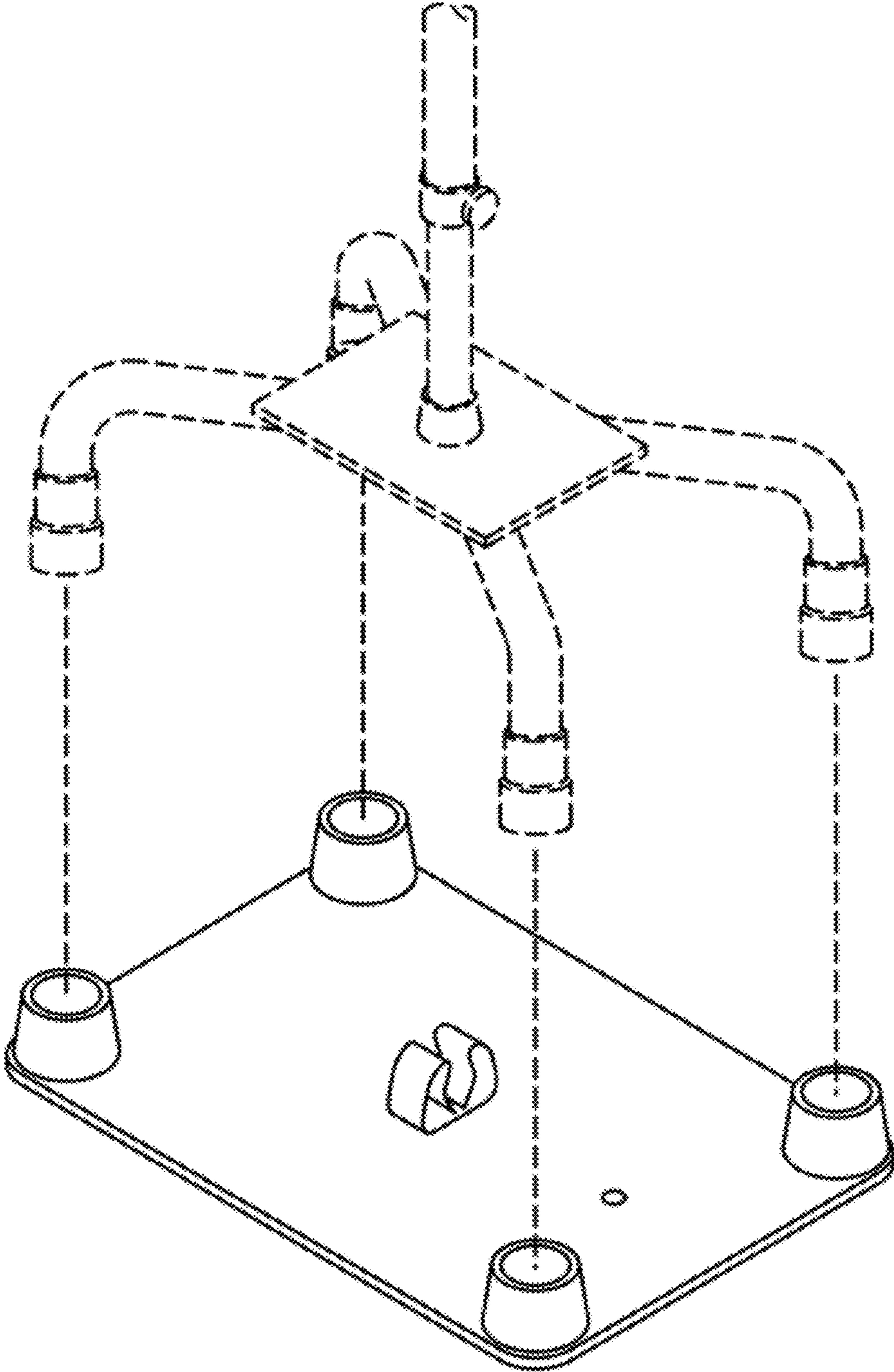


FIG. 6

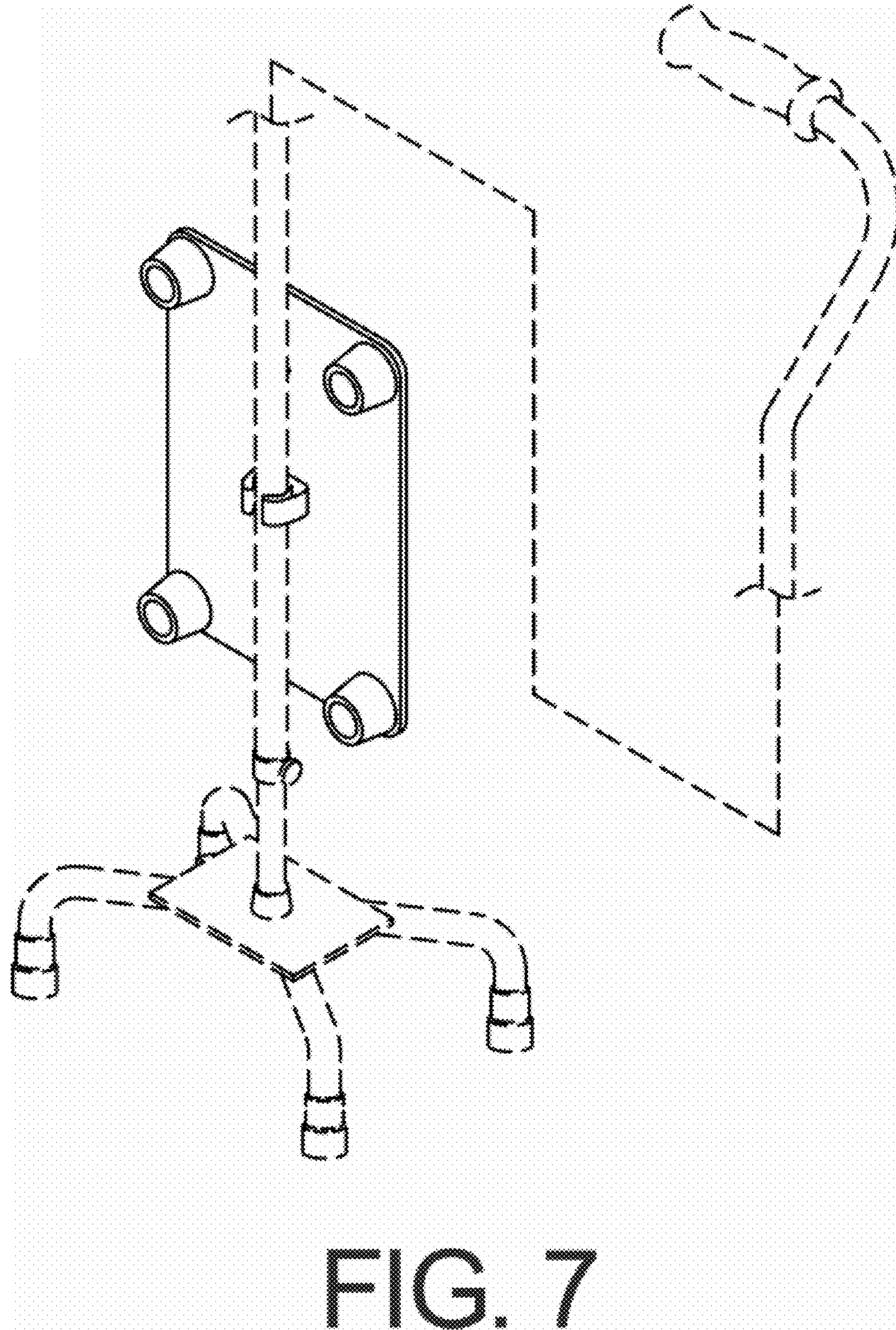


FIG. 7