



US00D671294S

(12) **United States Design Patent**
Auf der Maur

(10) **Patent No.:** **US D671,294 S**

(45) **Date of Patent:** **** Nov. 20, 2012**

(54) **GRIPPER PART**

(75) Inventor: **Konrad Auf der Maur**, Gossau (CH)

(73) Assignee: **Ferag AG**, Hinwil (CH)

(**) Term: **14 Years**

(21) Appl. No.: **29/424,475**

(22) Filed: **Jun. 13, 2012**

4,570,543 A	2/1986	Ishikura
D301,179 S	5/1989	Miller
5,125,637 A	6/1992	Glaser
D367,143 S	2/1996	Sauber
D373,883 S	9/1996	Dillard
D448,908 S	10/2001	Kangas et al.
D459,047 S	6/2002	Tanaka
6,616,137 B2	9/2003	Kaya et al.
7,252,209 B2	8/2007	Julius
D586,074 S	2/2009	Aufer der Maur

Primary Examiner — Cynthia Ramirez

(74) *Attorney, Agent, or Firm* — Rankin, Hill & Clark LLP

Related U.S. Application Data

(62) Division of application No. 29/390,594, filed on Apr. 27, 2011.

Foreign Application Priority Data

Oct. 29, 2010 (WO) DM/074 683

(51) **LOC (9) Cl.** **12-05**

(52) **U.S. Cl.** **D34/35**

(58) **Field of Classification Search** D34/35,
D34/29; 198/851, 838, 853, 825; 104/93,
104/153, 106, 150; 271/99, 10.04, 10.01,
271/11, 10.11; D15/28, 32
See application file for complete search history.

(56) **References Cited**

U.S. PATENT DOCUMENTS

D142,093 S 8/1945 Kennedy
4,299,381 A 11/1981 Smith

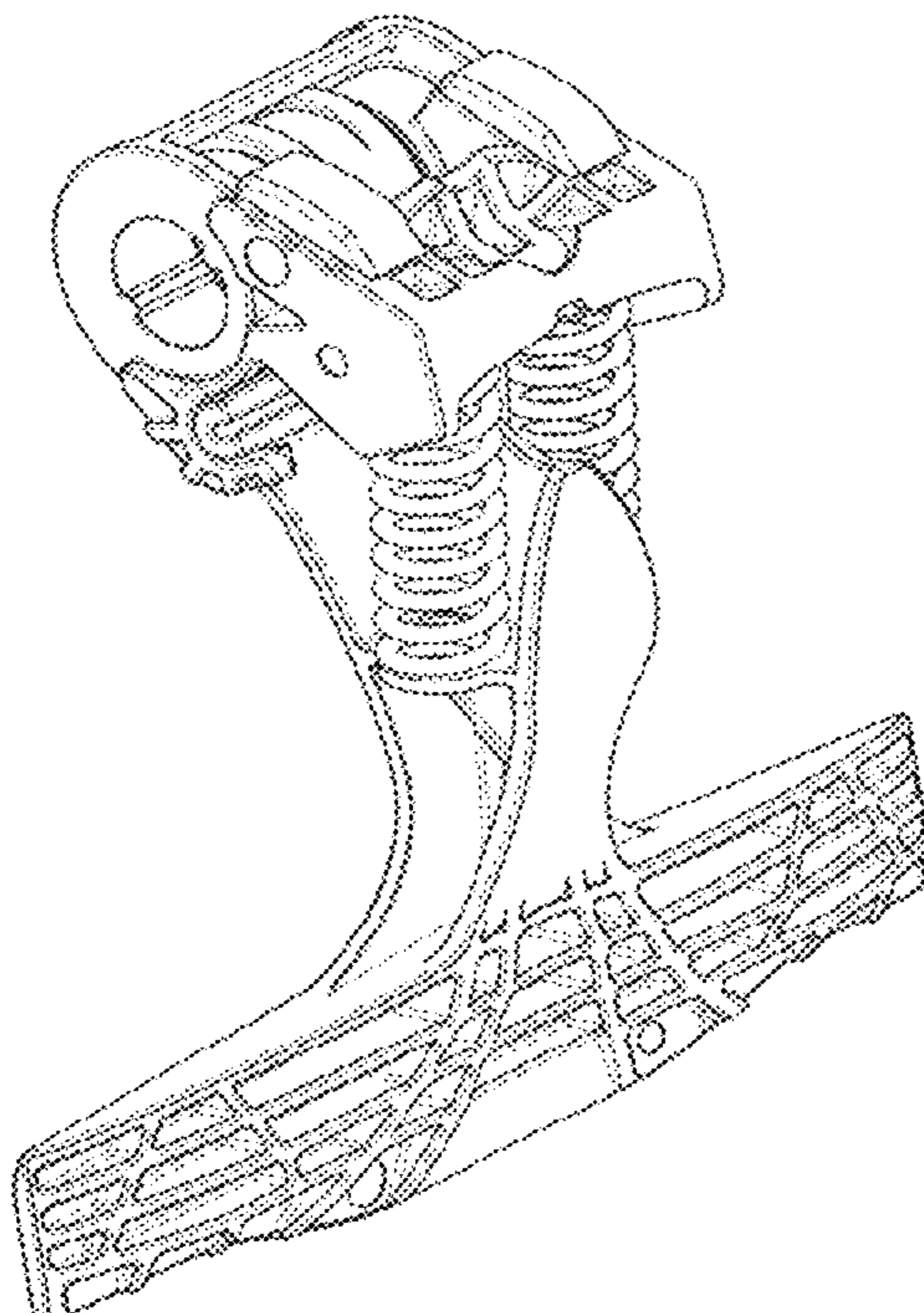
(57) **CLAIM**

The ornamental design for gripper part, as shown and described.

DESCRIPTION

FIG. 1 is a front left perspective view of a gripper part embodying our design;
FIG. 2 is a rear right view of the device shown in FIG. 1;
FIG. 3 is a right side elevational view of the device shown in FIG. 1;
FIG. 4 is a left side elevational view of the device shown in FIG. 1;
FIG. 5 is a top view of the device shown in FIG. 1;
FIG. 6 is a bottom view of the device shown in FIG. 1;
FIG. 7 is a front view of the device shown in FIG. 1; and,
FIG. 8 is a rear view of the device shown in FIG. 1.

1 Claim, 8 Drawing Sheets



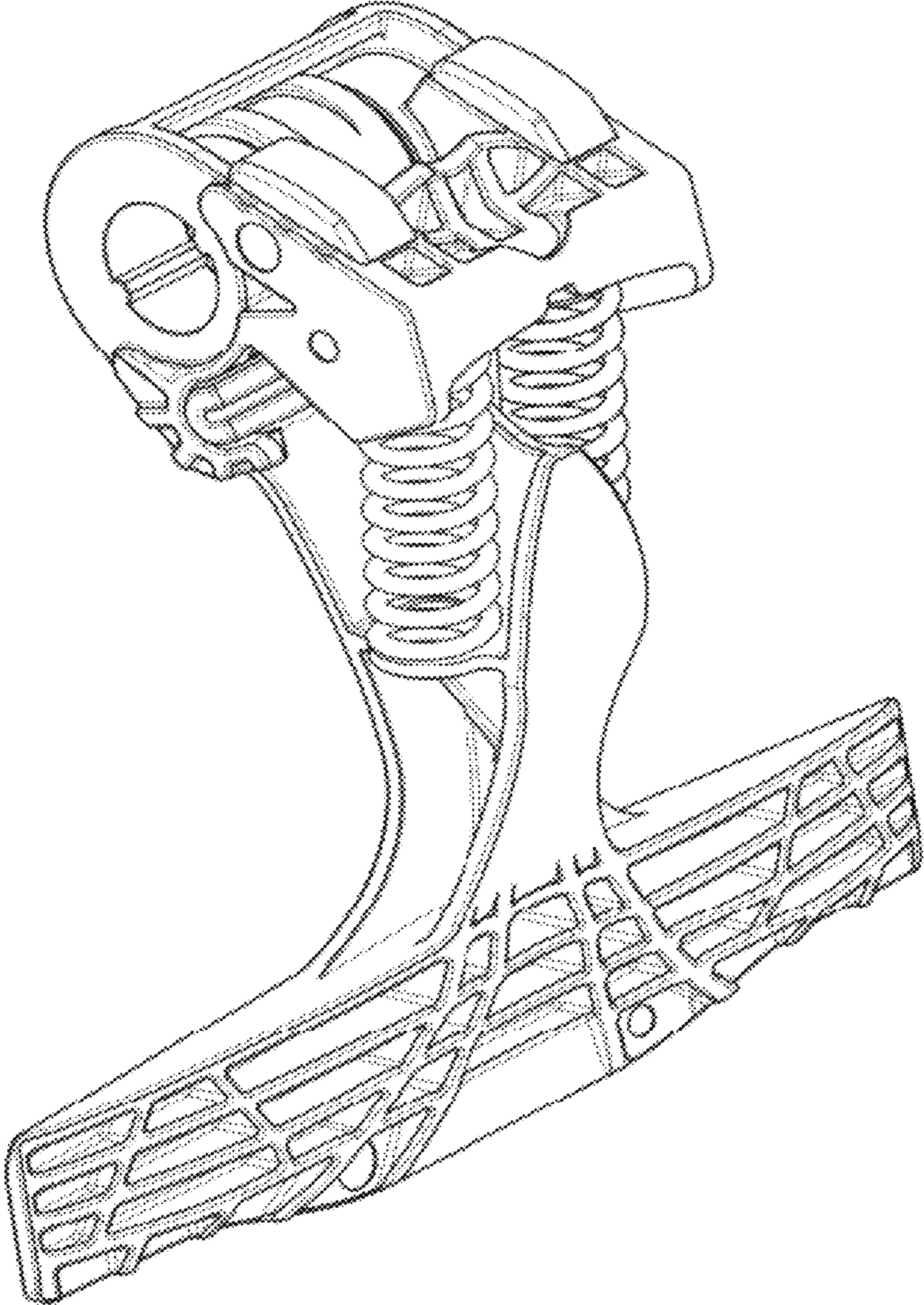


FIG. 1

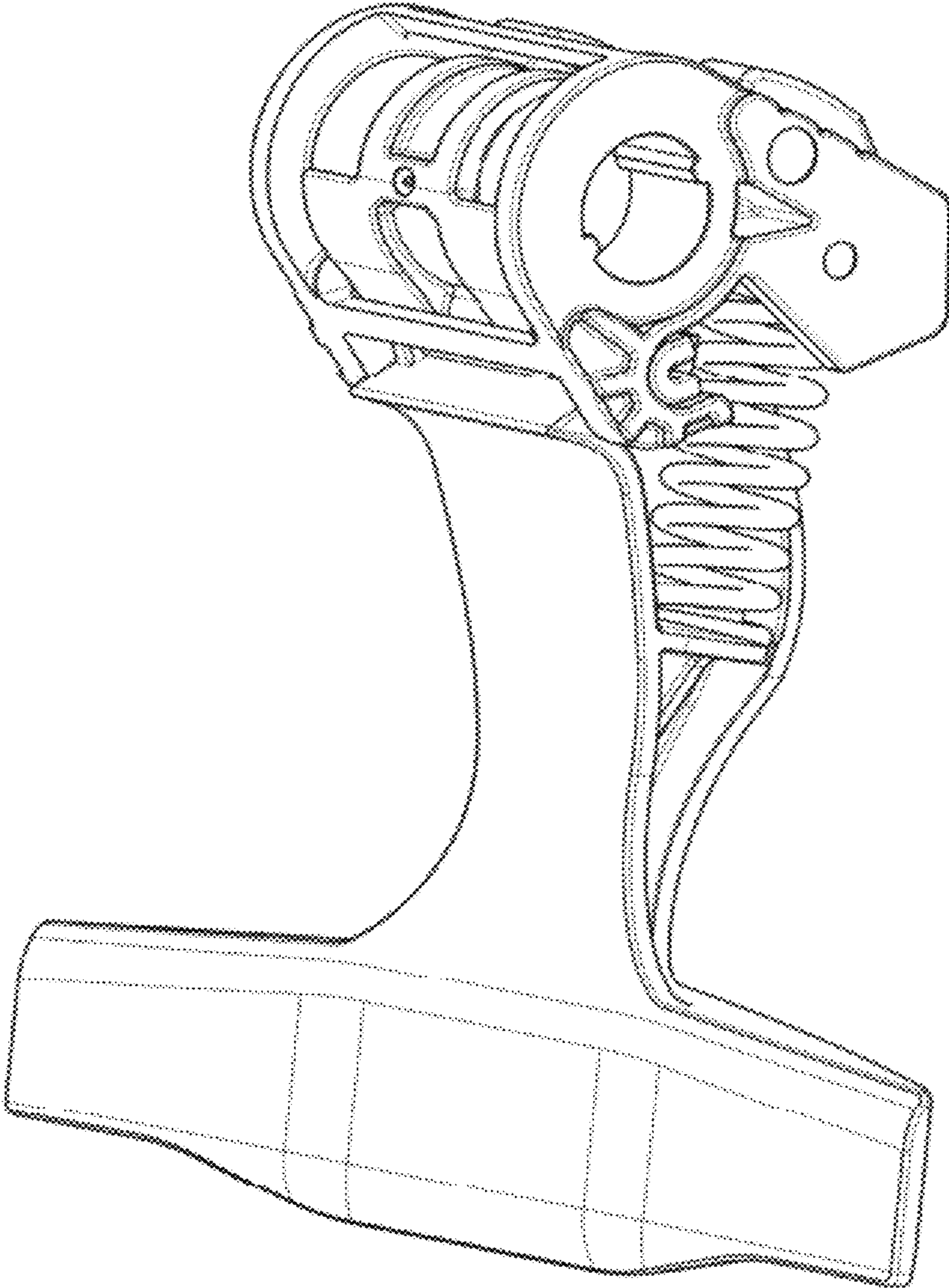


FIG. 2

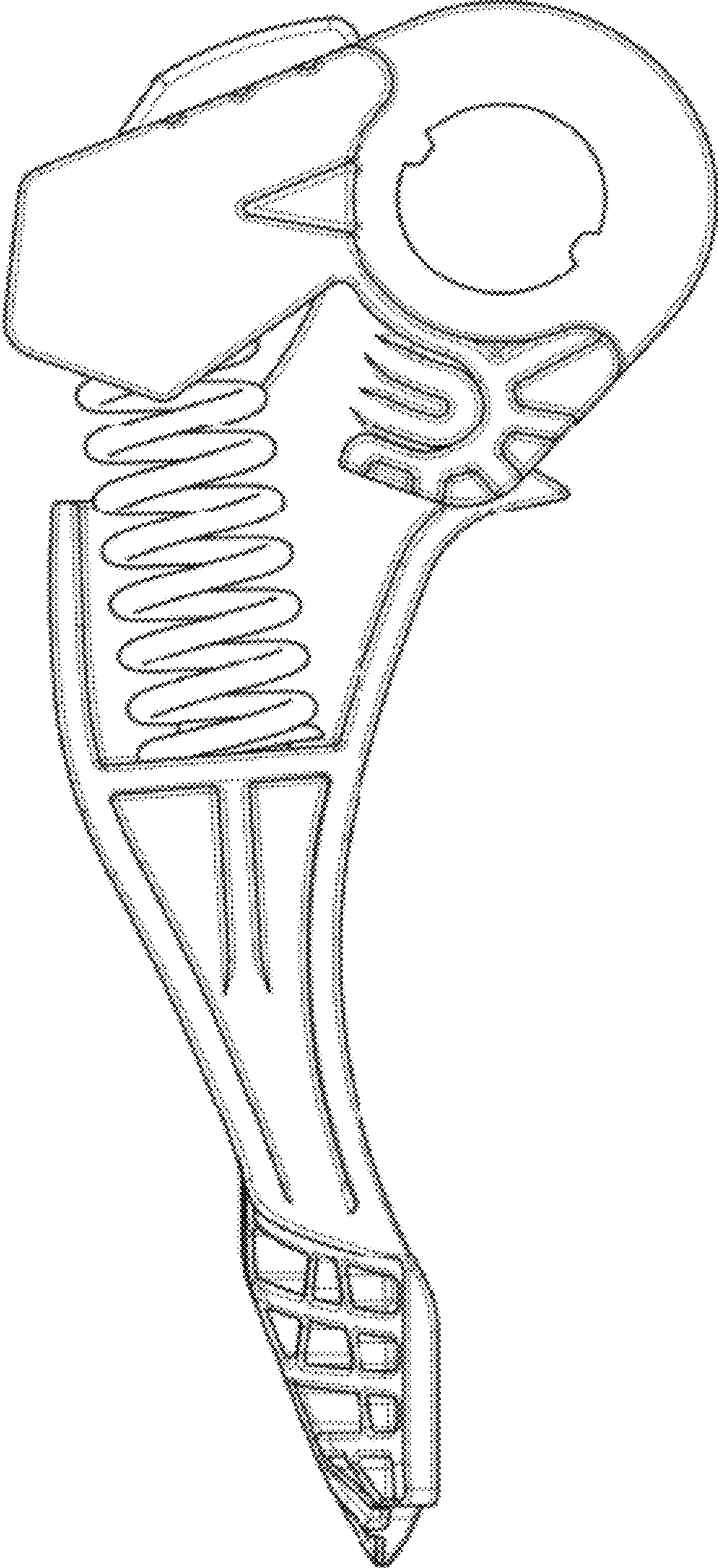


FIG. 3

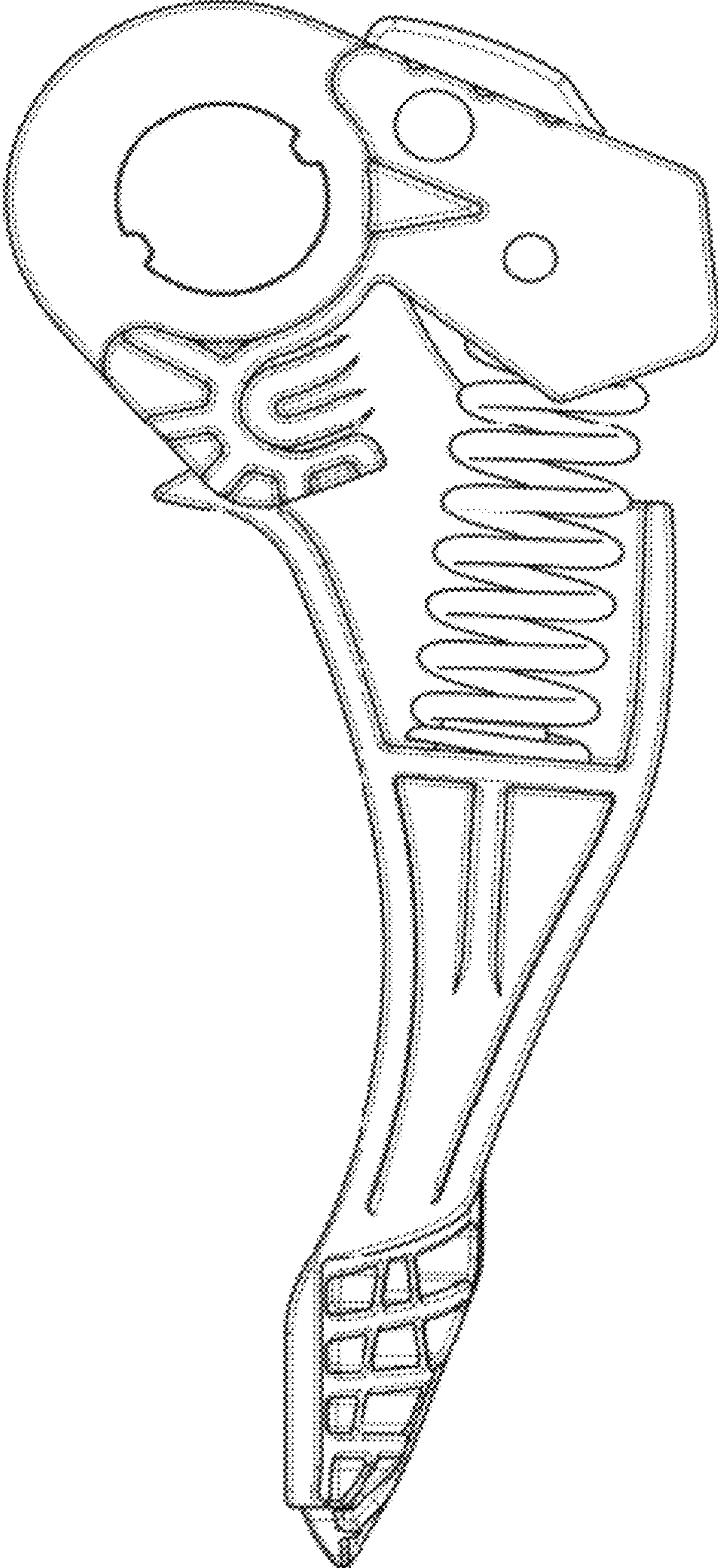


FIG. 4

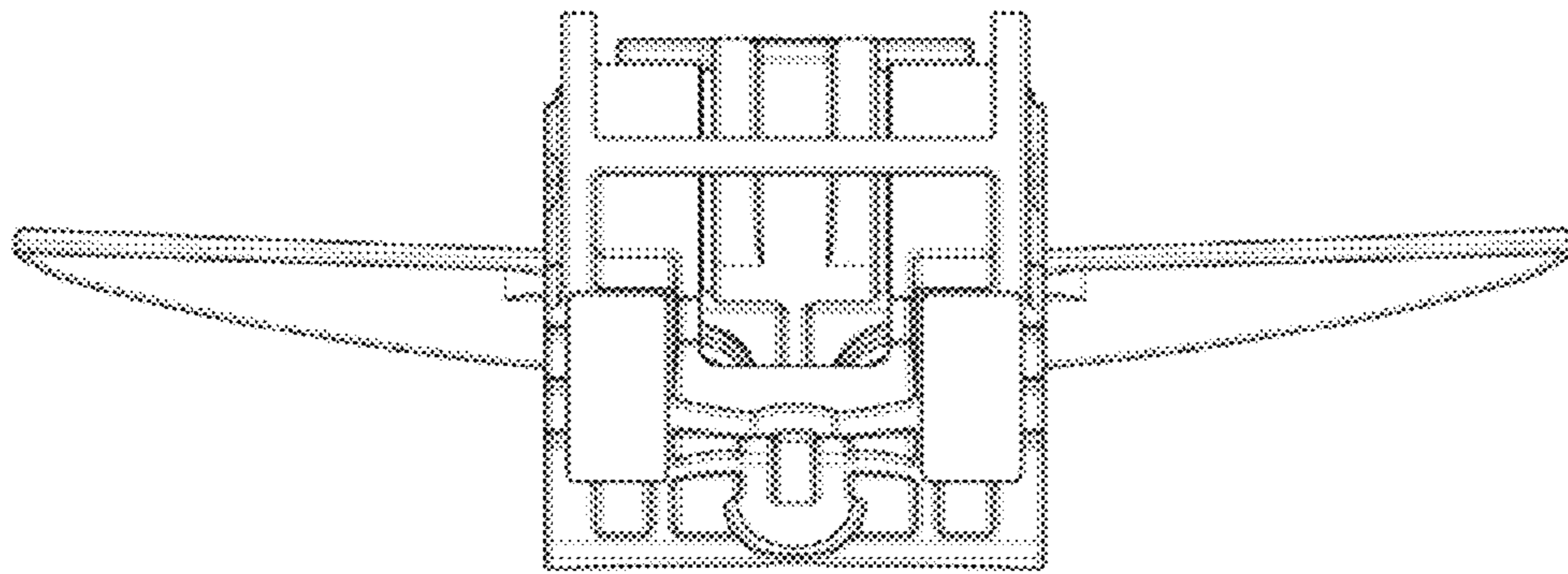


FIG. 5

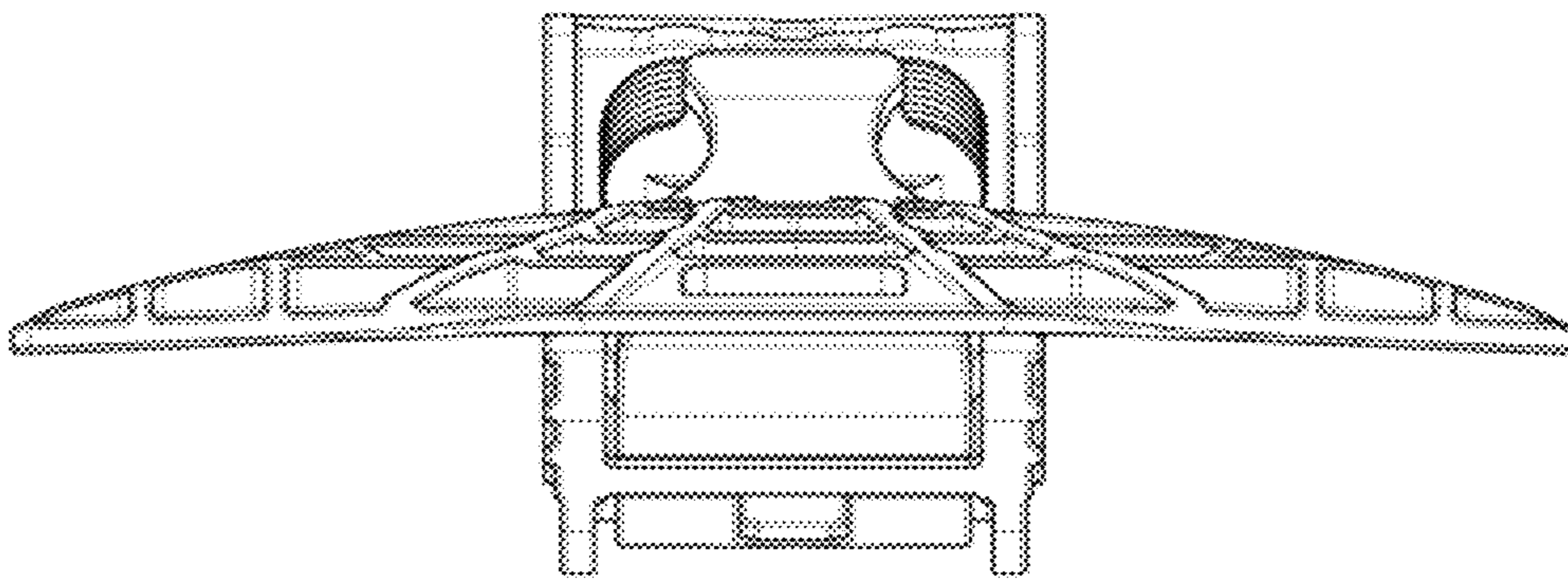


FIG. 6

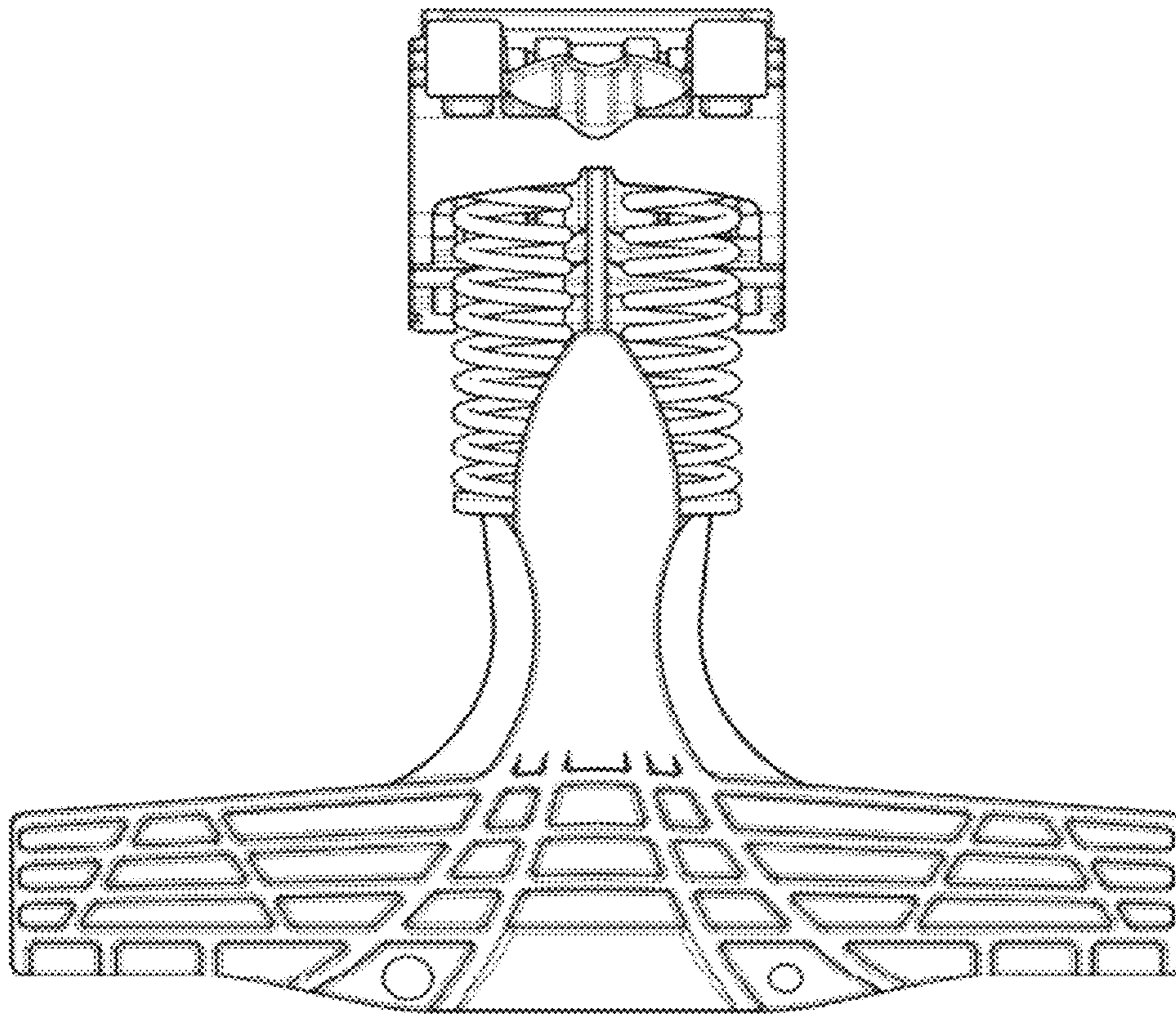


FIG. 7

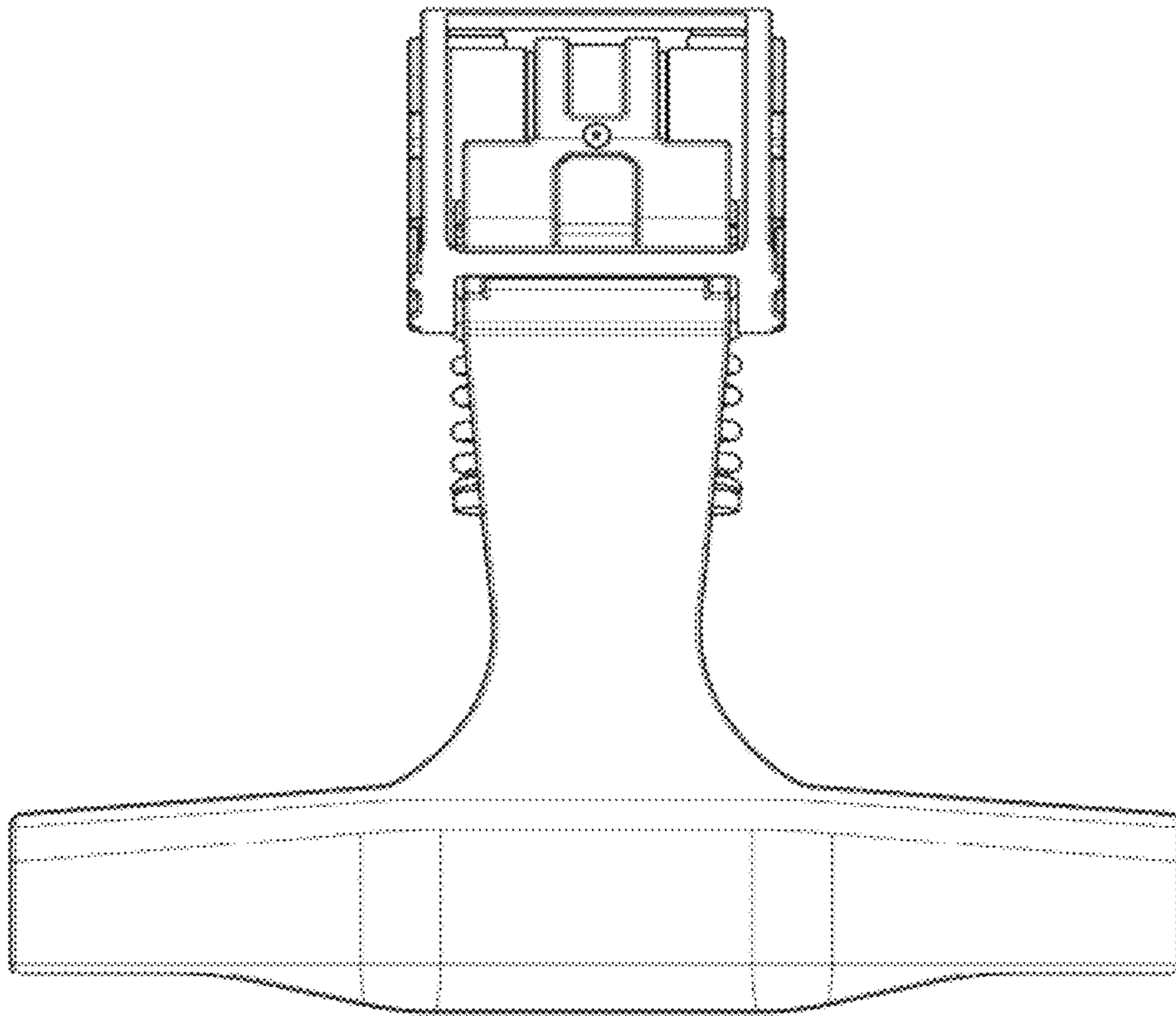


FIG. 8