



US00D671292S

(12) **United States Design Patent**
Long et al.

(10) **Patent No.:** **US D671,292 S**

(45) **Date of Patent:** **** Nov. 20, 2012**

(54) **CARRYING CART ACCOMMODATION FOR SPECIAL NEEDS RIDER**

(75) Inventors: **Drew Ann Long**, Alabaster, AL (US);
David Long, Alabaster, AL (US)

(73) Assignee: **Parent Solution Group, LLC**,
Alabaster, AL (US)

(**) Term: **14 Years**

(21) Appl. No.: **29/386,703**

(22) Filed: **Mar. 3, 2011**

(51) **LOC (9) Cl.** **12-02**

(52) **U.S. Cl.** **D34/27**

(58) **Field of Classification Search** D34/12-27;
280/33.991, 33.992, 33.993, 33.997, 47.38,
280/47.35, 47.4

See application file for complete search history.

(56) **References Cited**

U.S. PATENT DOCUMENTS

3,170,709	A *	2/1965	Shackel	280/47.34
4,116,456	A	9/1978	Stover		
4,381,870	A	5/1983	Muellner		
D294,419	S *	2/1988	Rehrig	D34/17
4,733,877	A	3/1988	Pastien		
D343,257	S	1/1994	DiFloria		
5,641,200	A	6/1997	Howell		
5,823,548	A	10/1998	Reiland		
5,882,021	A	3/1999	Reiland		
5,918,891	A	7/1999	Russell		
5,961,133	A	10/1999	Perry		
6,022,031	A	2/2000	Reiland		
6,237,924	B1	5/2001	Reiland		
6,364,326	B1	4/2002	Reiland		
6,572,122	B2	6/2003	Johnson		

6,761,364	B2 *	7/2004	Murar et al.	280/33.991
7,063,337	B2	6/2006	Russell		
D549,919	S *	8/2007	Ash et al.	D34/14
7,287,764	B2	10/2007	Russell		
D556,413	S *	11/2007	Splain et al.	D34/12
D564,172	S *	3/2008	Steinhobel	D34/12
7,350,788	B2	4/2008	Booker		
2002/0093179	A1 *	7/2002	McKelvey	280/651
2003/0116933	A1 *	6/2003	Nadeau et al.	280/33.991
2005/0218613	A1 *	10/2005	Giampavolo et al.	280/33.993
2011/0304110	A1 *	12/2011	Long	280/33.992

* cited by examiner

Primary Examiner — Cynthia Ramirez

(74) *Attorney, Agent, or Firm* — Jeremy A. Smith; Nathan W. Johnson; Bradley Arant Boult Cummings LLP

(57) **CLAIM**

The ornamental design for a carrying cart accommodation for special needs rider, as shown and described.

DESCRIPTION

FIG. 1 is a perspective view of a carrying cart accommodation for special needs rider in accordance with the new design with the handles in the closed position;

FIG. 2 is a perspective view thereof with the handles in an open position;

FIG. 3 is a side view with the handles in a closed position;

FIG. 4 is the other side thereof;

FIG. 5 is a front view thereof;

FIG. 6 is a rear view thereof;

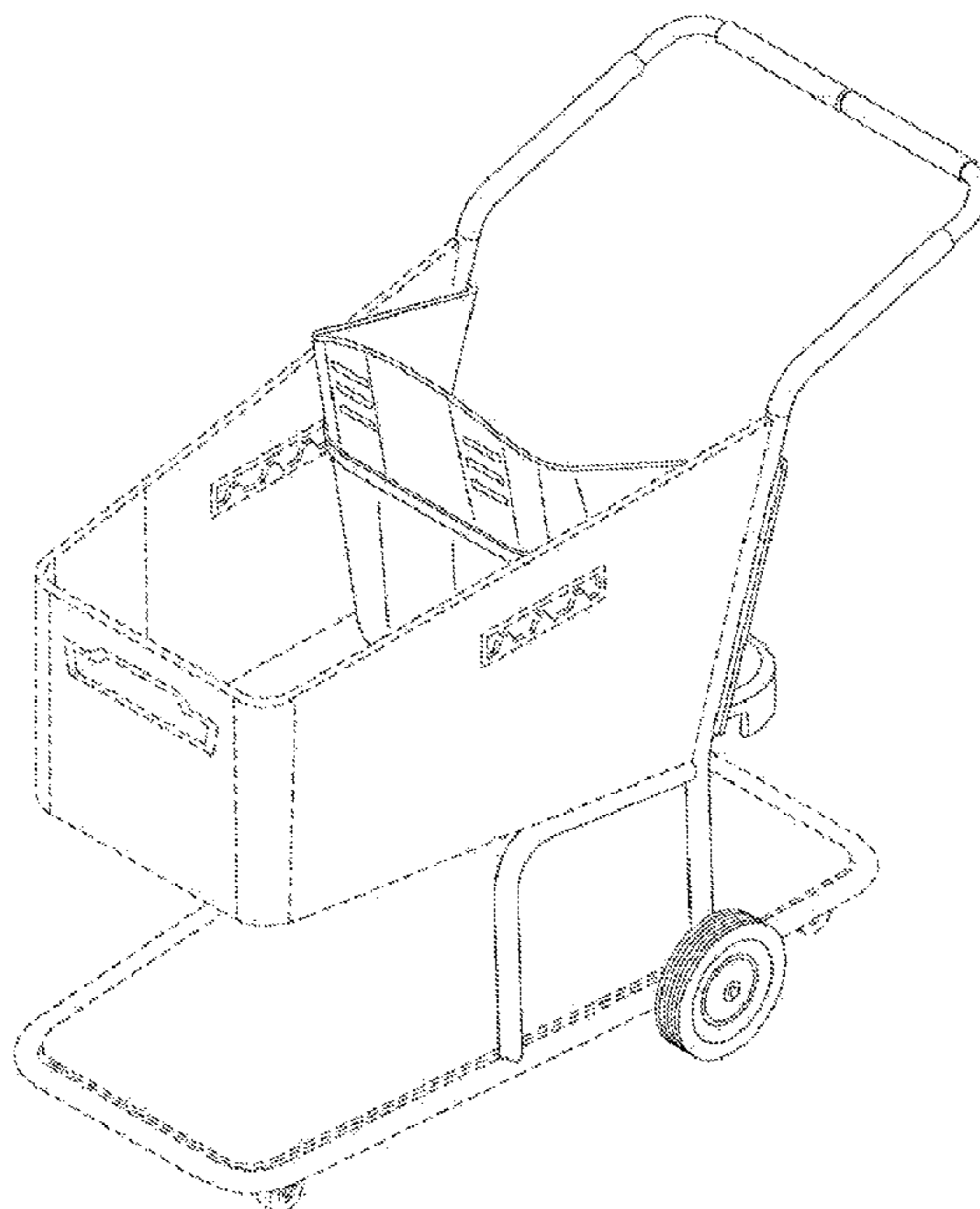
FIG. 7 is a top view thereof;

FIG. 8 is a front perspective view of the cart with the handles in an open position;

FIG. 9 is a rear perspective view thereof; and,

FIG. 10 is a top view thereof.

1 Claim, 8 Drawing Sheets



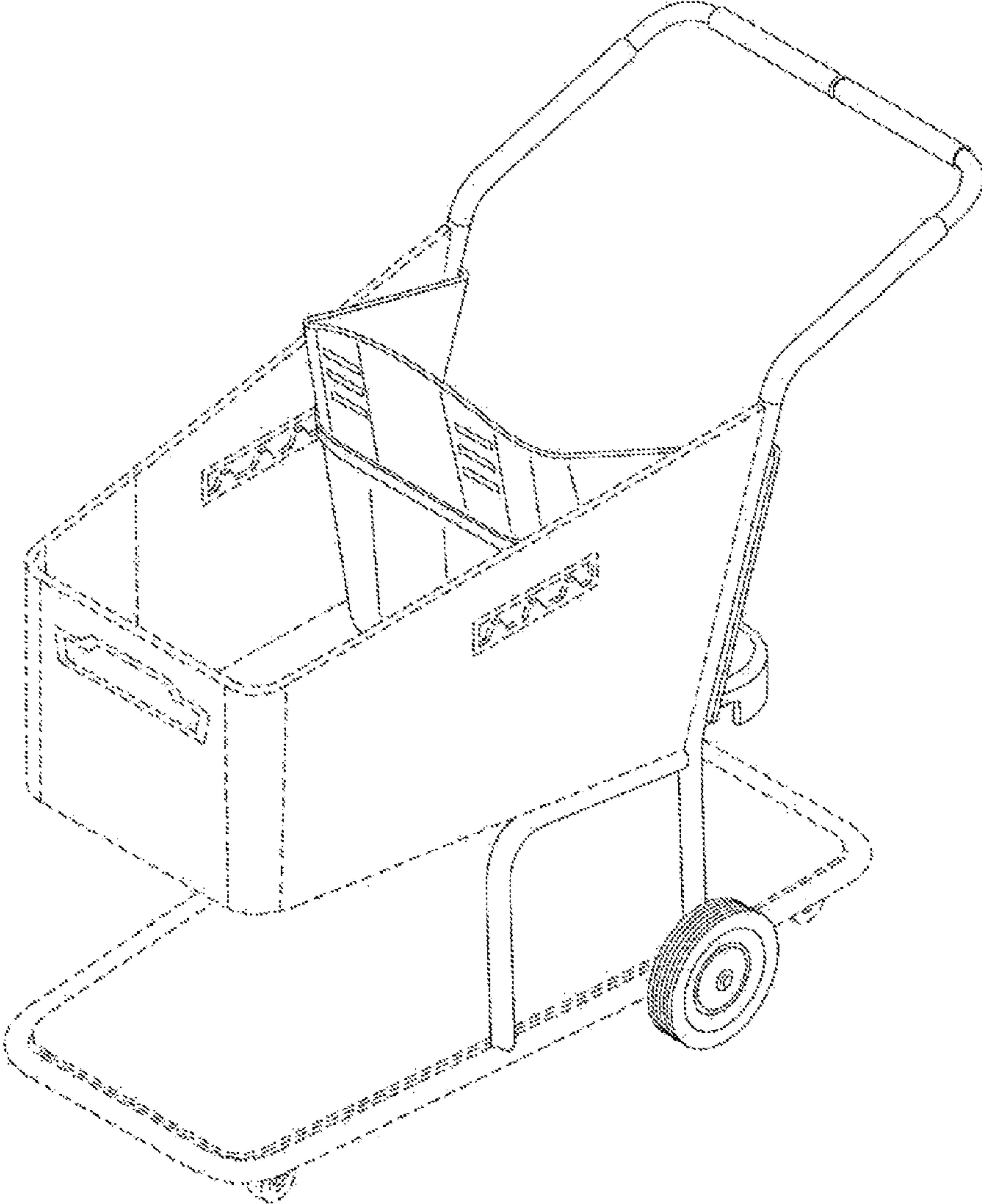


FIG. 1

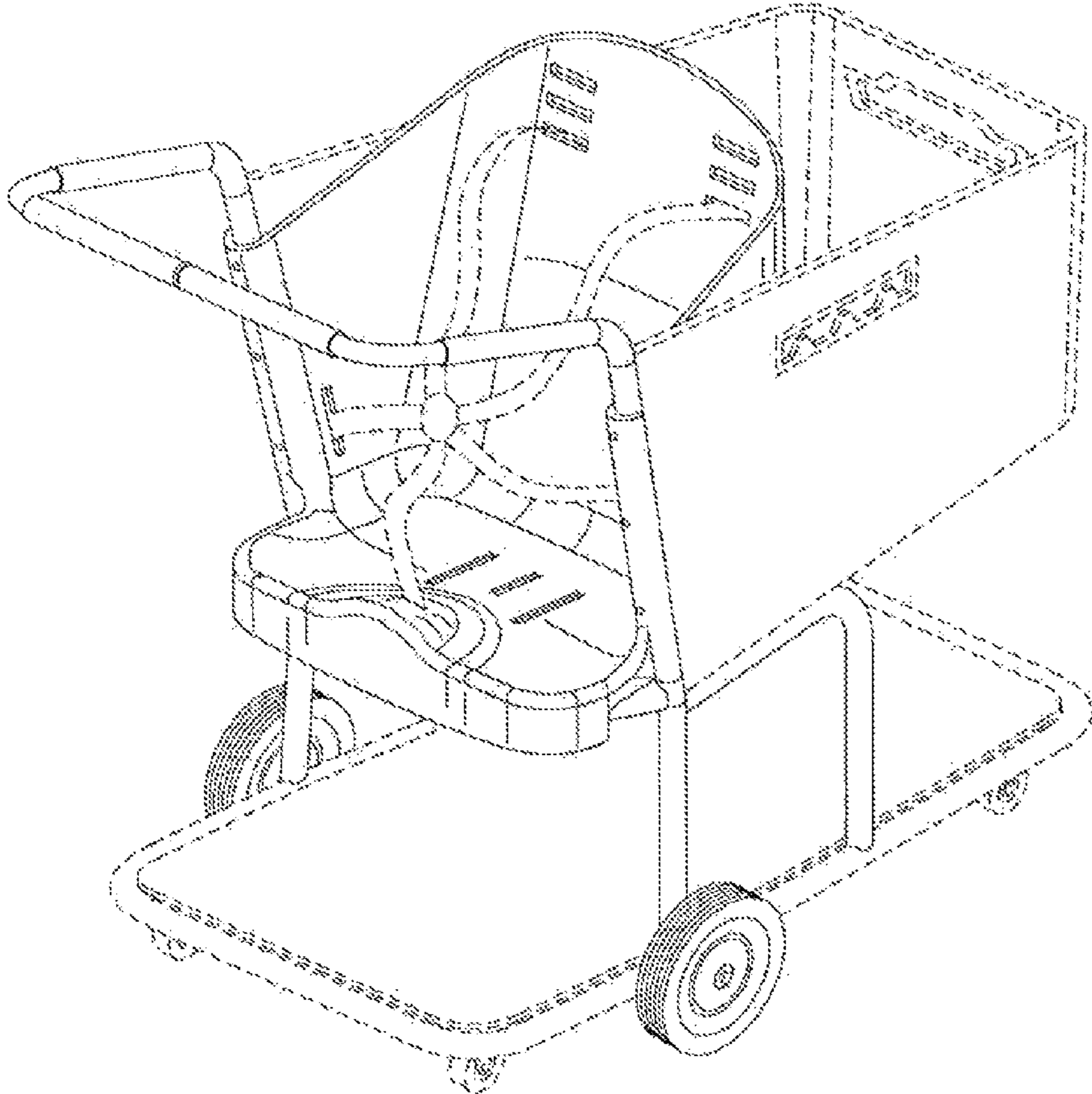


FIG. 2

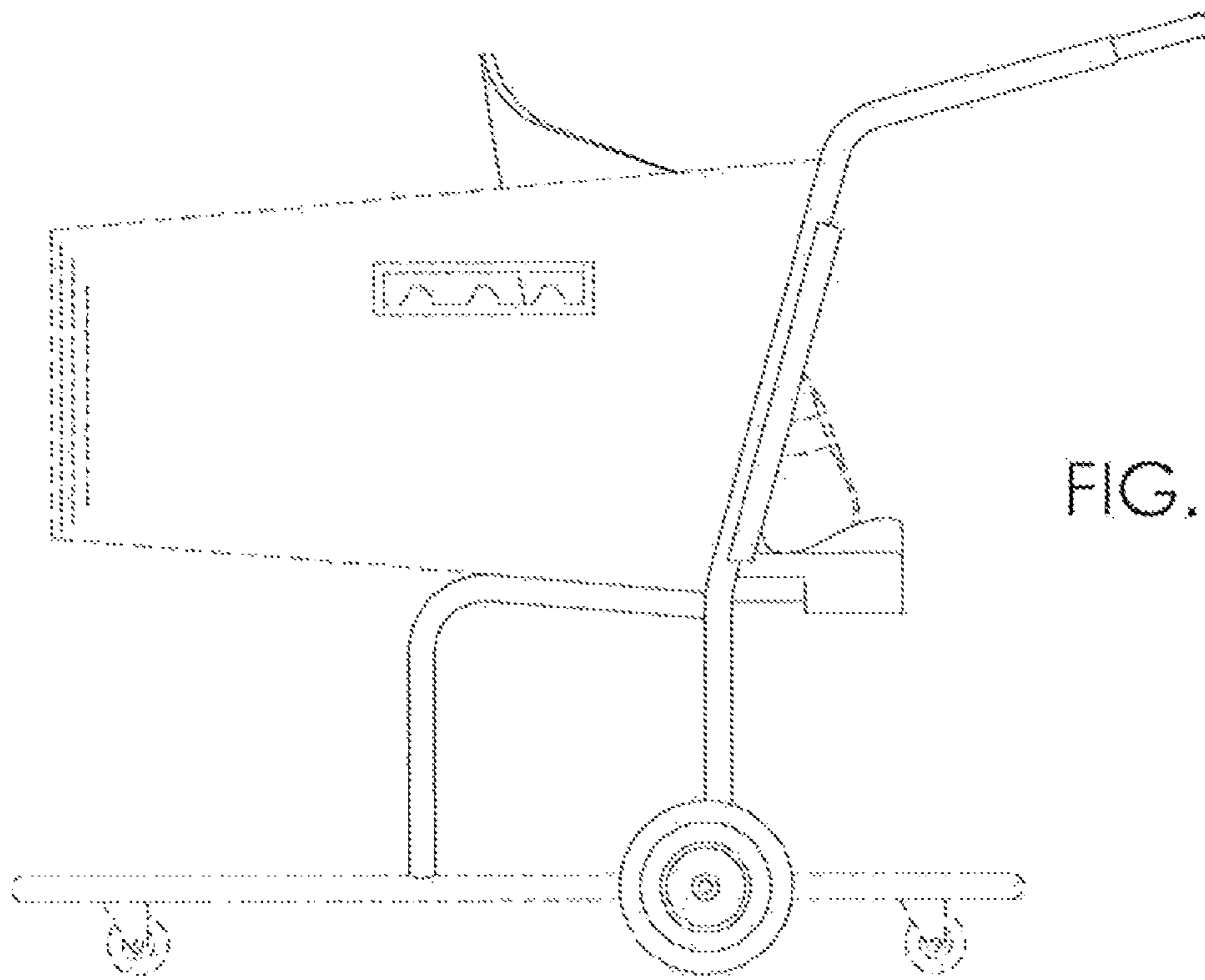


FIG. 3

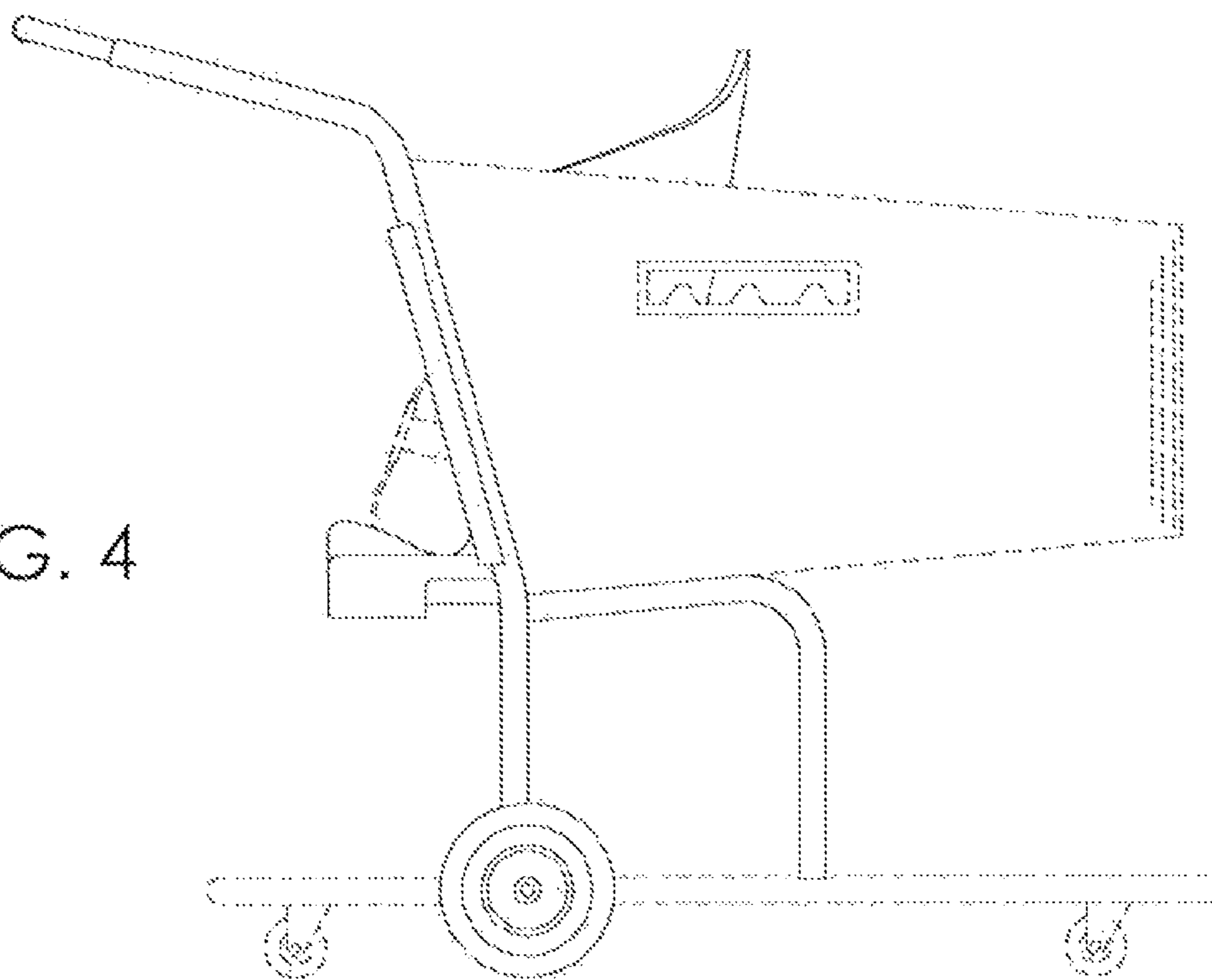


FIG. 4

FIG. 5

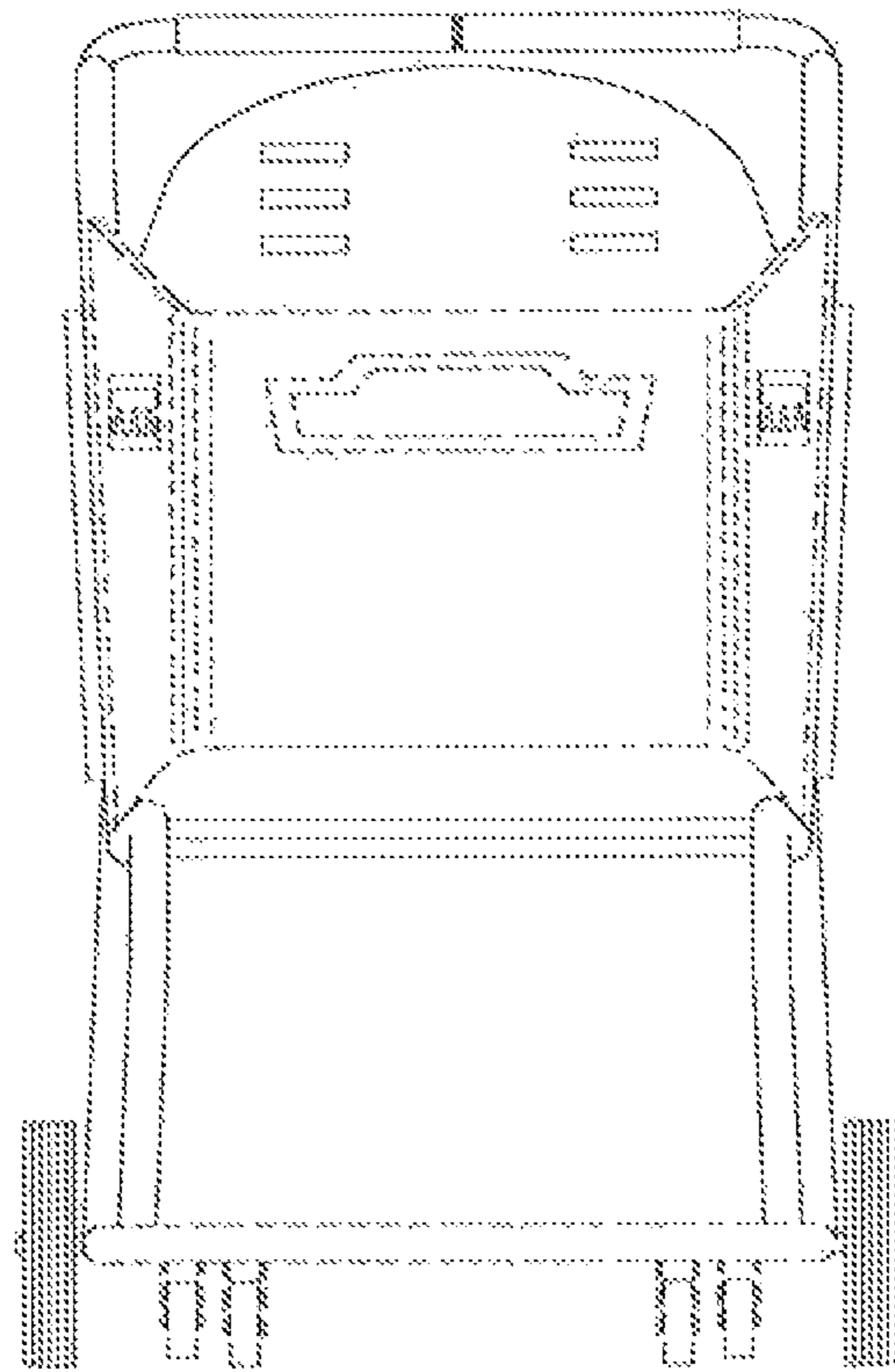
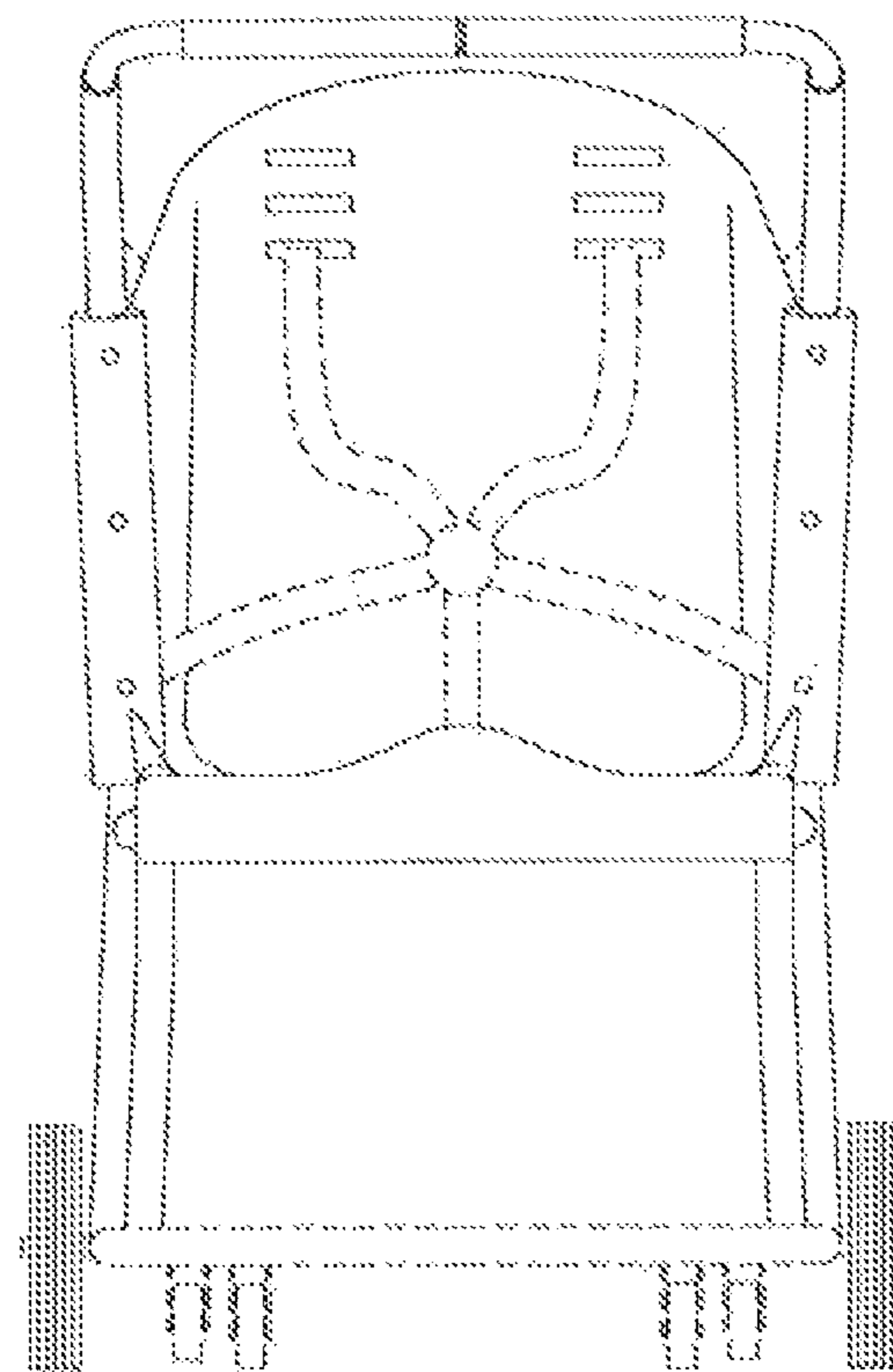


FIG. 6



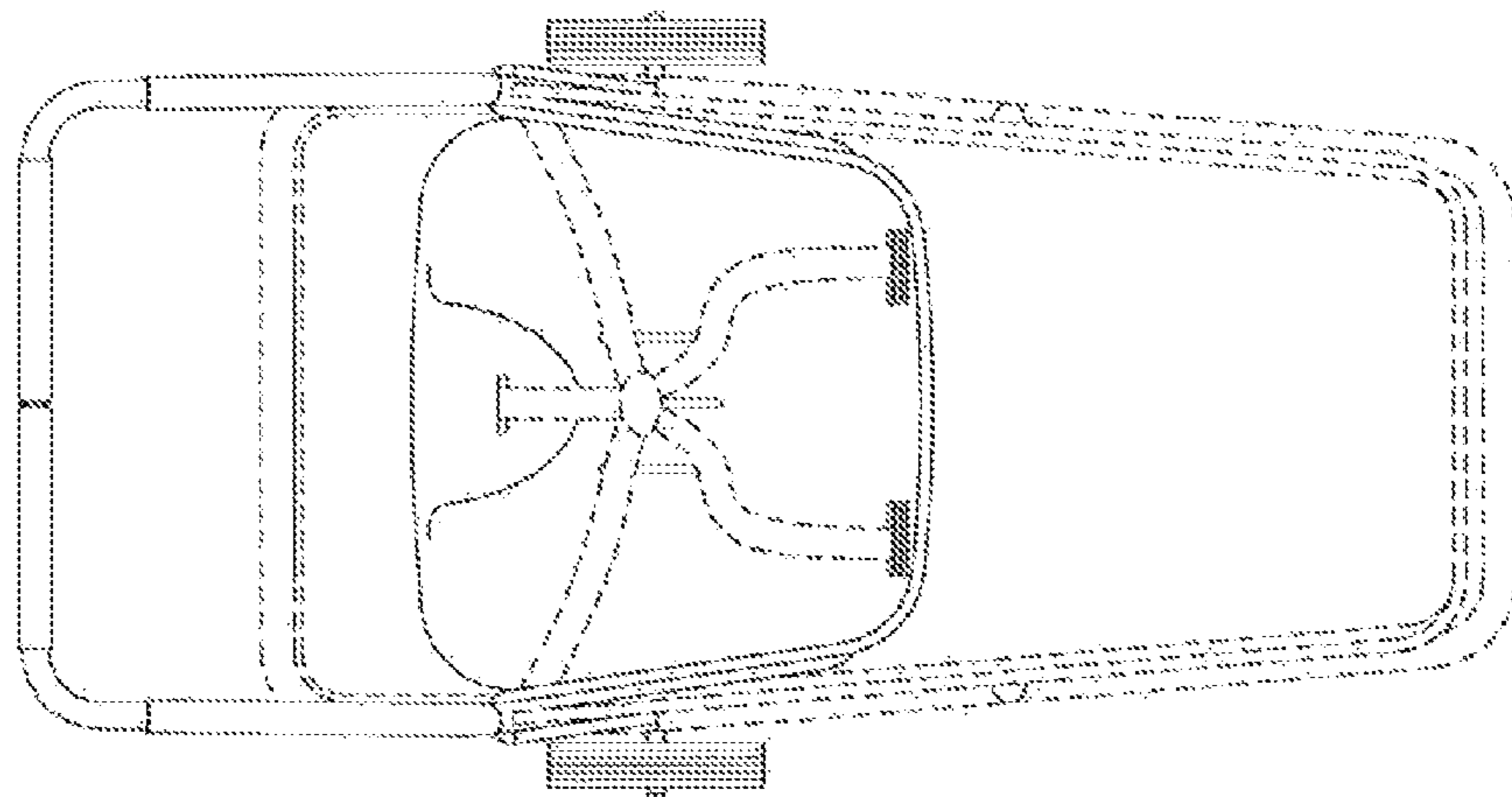


FIG. 7

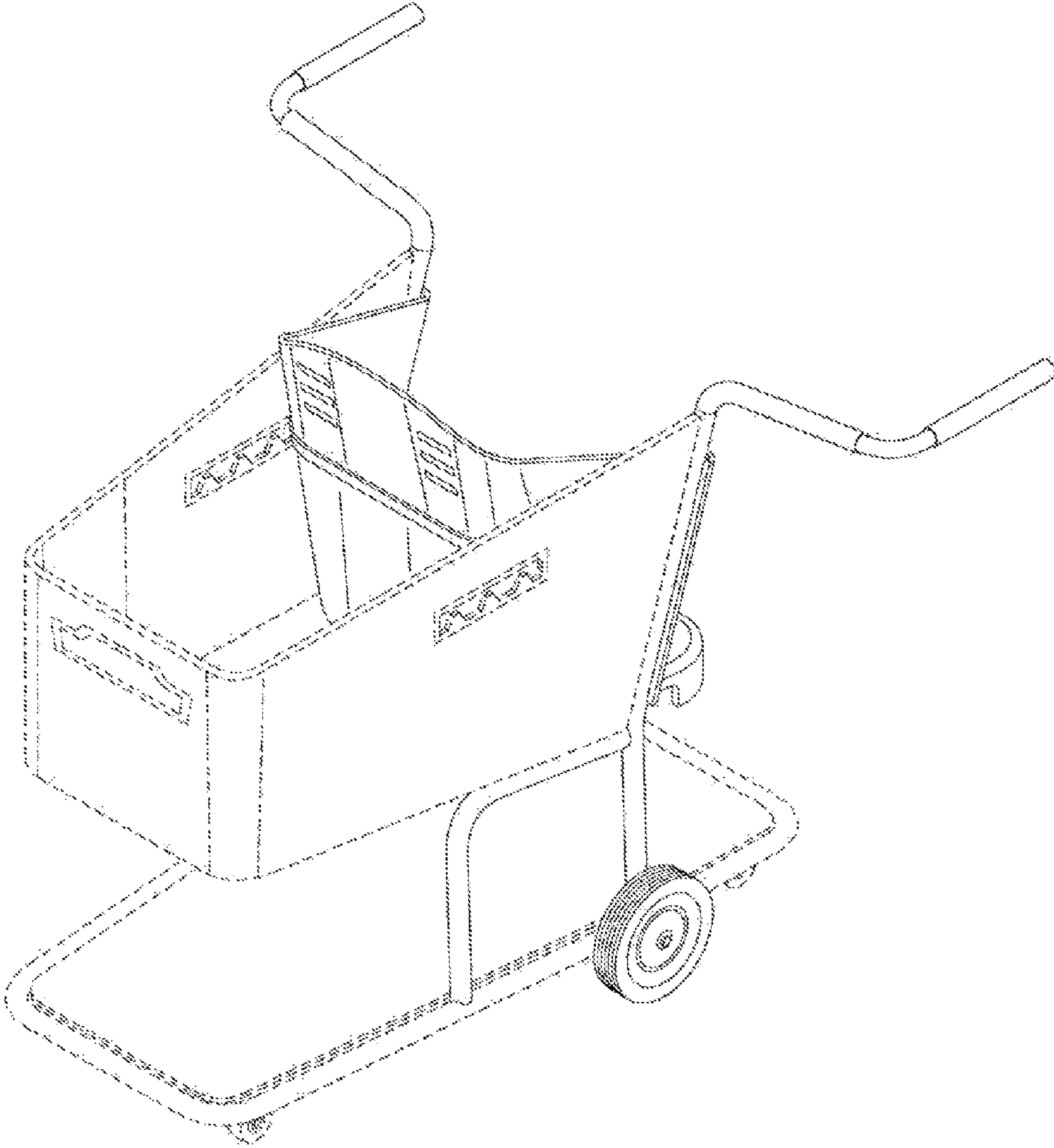


FIG. 8

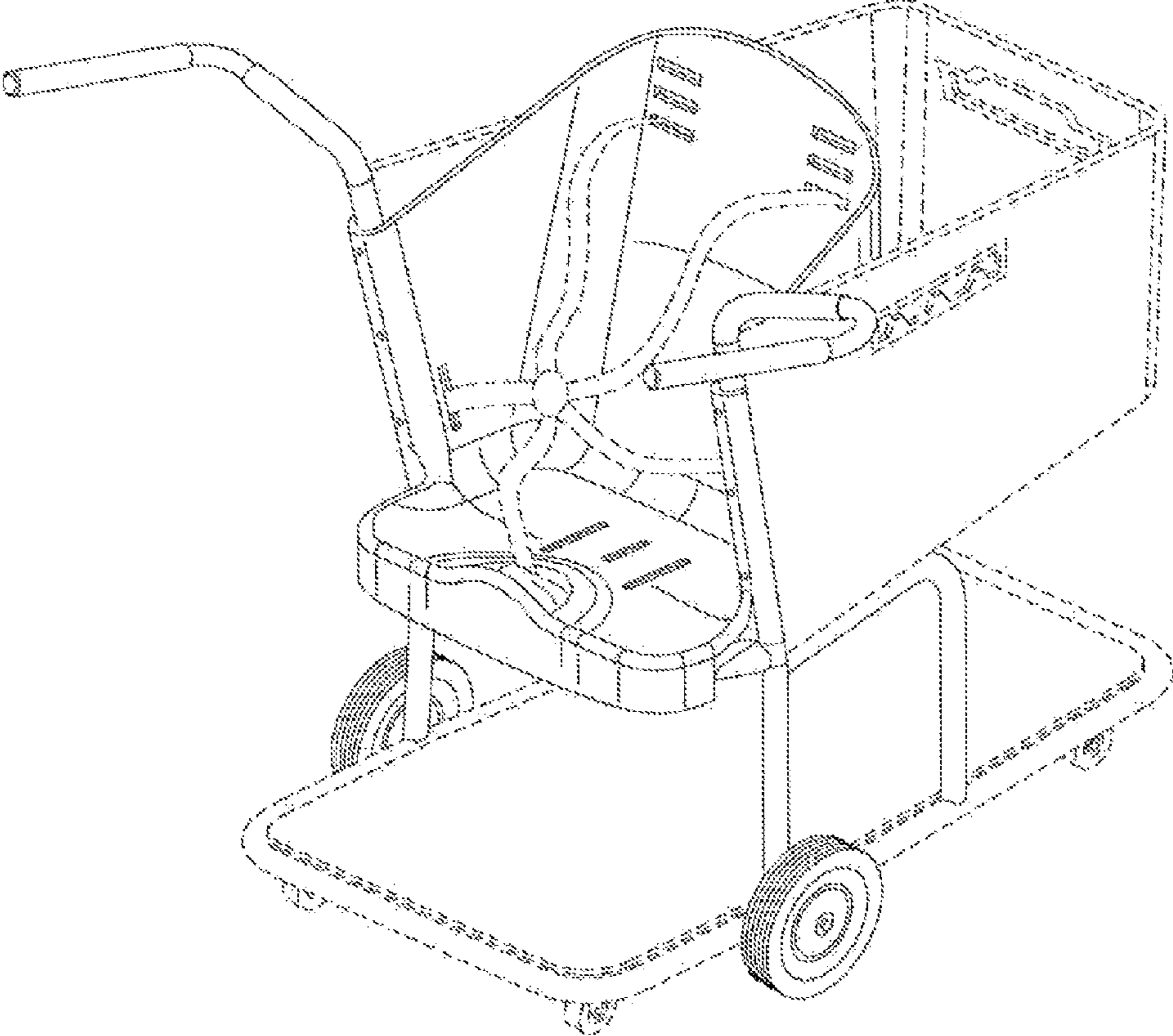


FIG. 9

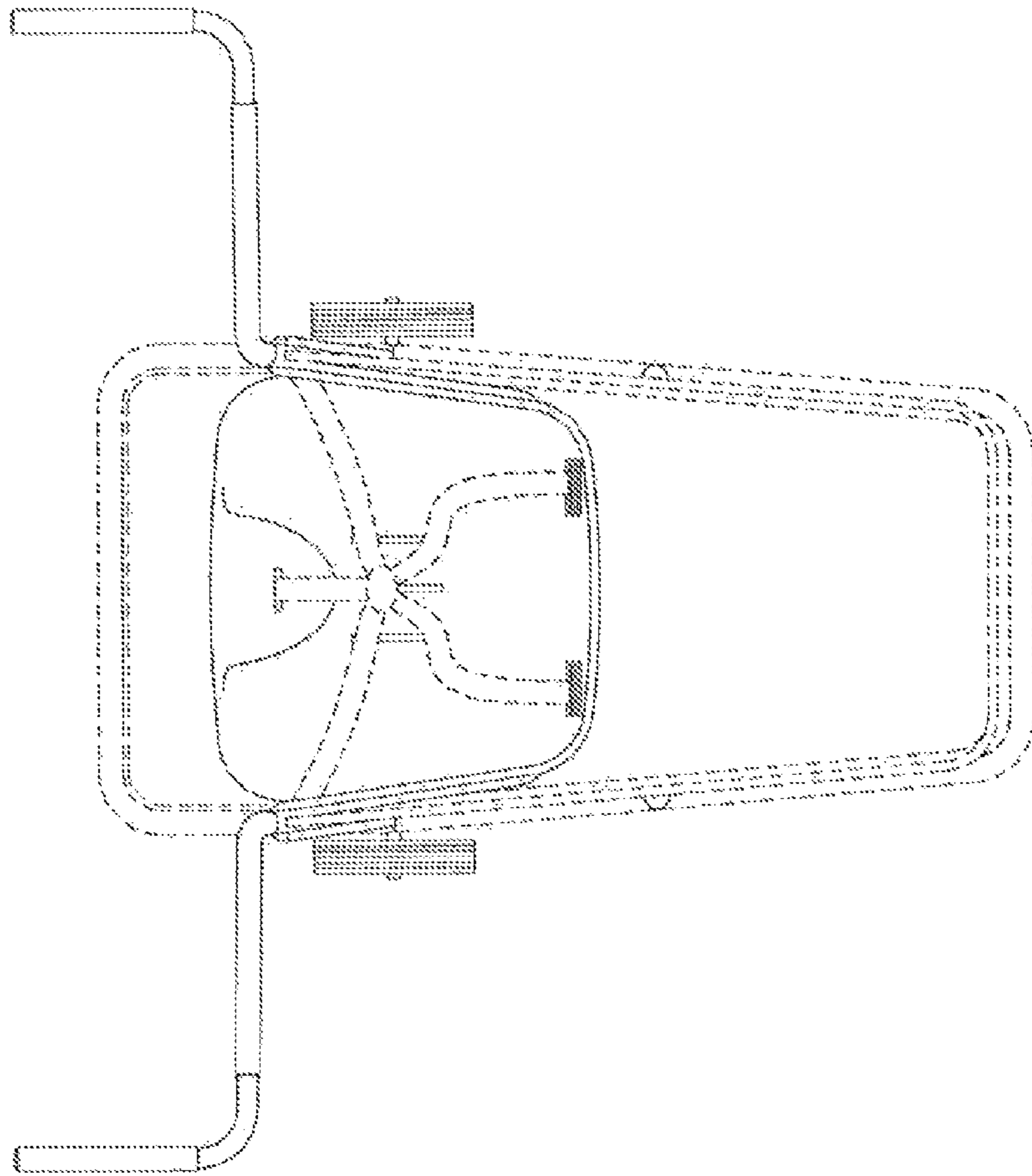


FIG. 10