



US00D671291S

(12) **United States Design Patent**
Spann et al.

(10) **Patent No.:** **US D671,291 S**

(45) **Date of Patent:** **** Nov. 20, 2012**

(54) **FISHING CHAIR**

(76) Inventors: **Charles S. Spann**, Riviera Beach, FL
(US); **Jacob Goldszer**, Hollywood, FL
(US)

(**) Term: **14 Years**

(21) Appl. No.: **29/409,017**

(22) Filed: **Dec. 20, 2011**

(51) **LOC (9) Cl.** **12-02**

(52) **U.S. Cl.** **34/14**

(58) **Field of Classification Search** D34/12-27;
280/47.26, 47.31, 47.34, 47.35, 47.19, 79.2,
280/652; 43/54.1; 206/315.11

See application file for complete search history.

(56) **References Cited**

U.S. PATENT DOCUMENTS

D264,888	S *	6/1982	Watts	D34/26
4,350,366	A *	9/1982	Helms	280/655
4,355,818	A *	10/1982	Watts	280/654
5,333,885	A *	8/1994	Pullman	280/47.19
D357,783	S *	4/1995	Jones	D34/26
D372,350	S *	7/1996	Olson	D34/26
D378,456	S *	3/1997	Speicher	D34/25
D410,784	S *	6/1999	Sandford et al.	D34/14
6,082,757	A *	7/2000	Lin	280/654

6,131,925	A *	10/2000	Weldon	280/30
6,467,779	B1 *	10/2002	Mills	280/47.26
D473,990	S *	4/2003	Hittle	D34/18
D481,511	S *	10/2003	Lee	D34/24
6,880,851	B1 *	4/2005	Summers et al.	280/652
6,962,354	B1 *	11/2005	Miller	280/47.26
D558,948	S *	1/2008	Miller et al.	D34/24
7,471,437	B2 *	12/2008	Lenhard et al.	359/265
D638,190	S	5/2011	Spann	D34/14
2006/0232033	A1 *	10/2006	Pint	280/79.2
2009/0243241	A1 *	10/2009	Arakawa et al.	280/47.19

* cited by examiner

Primary Examiner — Cynthia Ramirez

(74) *Attorney, Agent, or Firm* — Robert C. Kain, Jr.

(57) **CLAIM**

The ornamental design for a fishing chair, as shown and described.

DESCRIPTION

FIG. 1 is a perspective view of a fishing chair showing our new design;

FIG. 2 is a front elevational view of the fishing chair shown in FIG. 1.

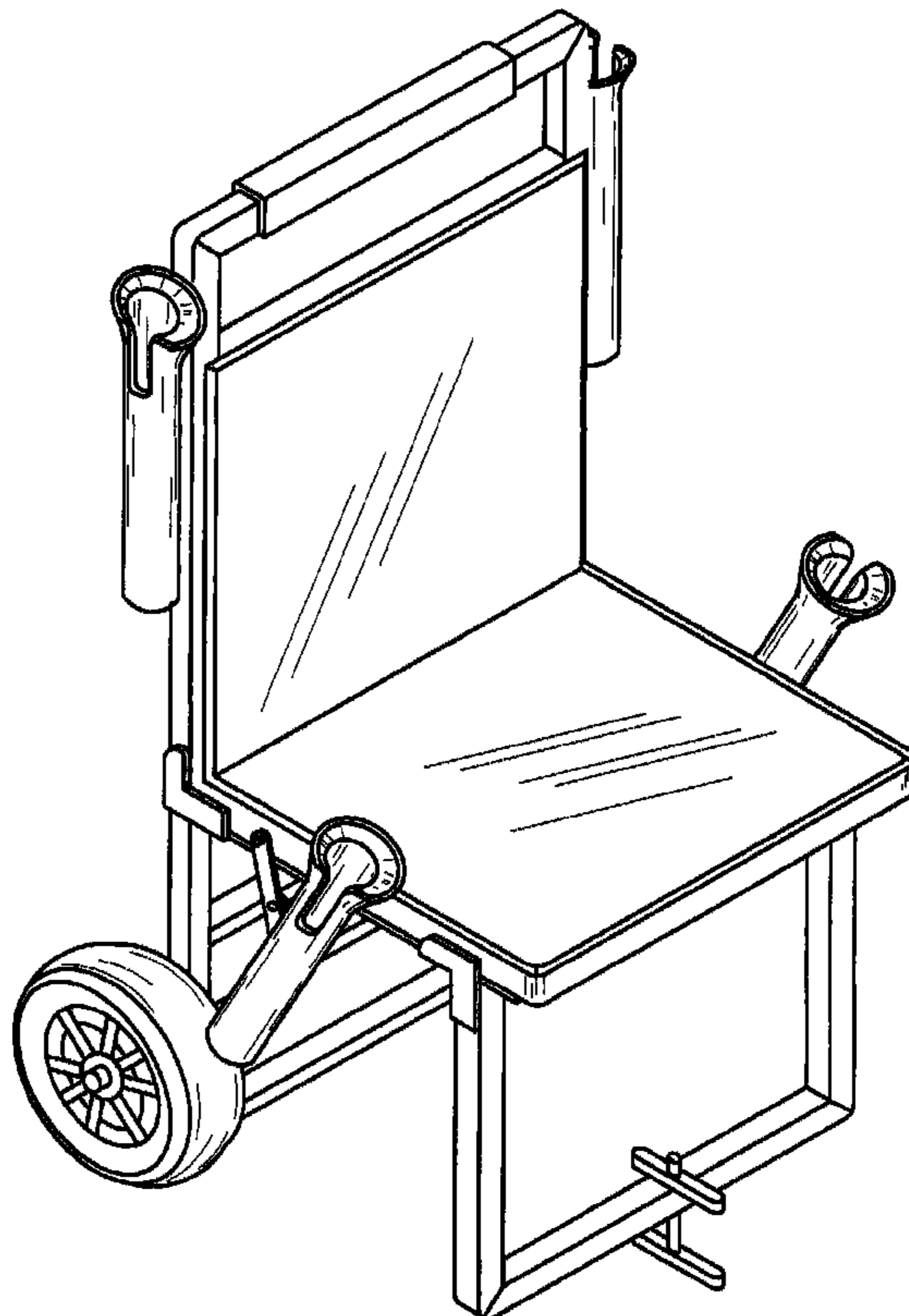
FIG. 3 is left side view of the fishing chair (the right side view being a mirror image of the left side view).

FIG. 4 is a top view of the fishing chair shown in FIG. 1.

FIG. 5 is a rear view of the fishing chair shown in FIG. 1; and,

FIG. 6 is a bottom view of the fishing chair shown in FIG. 1.

1 Claim, 6 Drawing Sheets



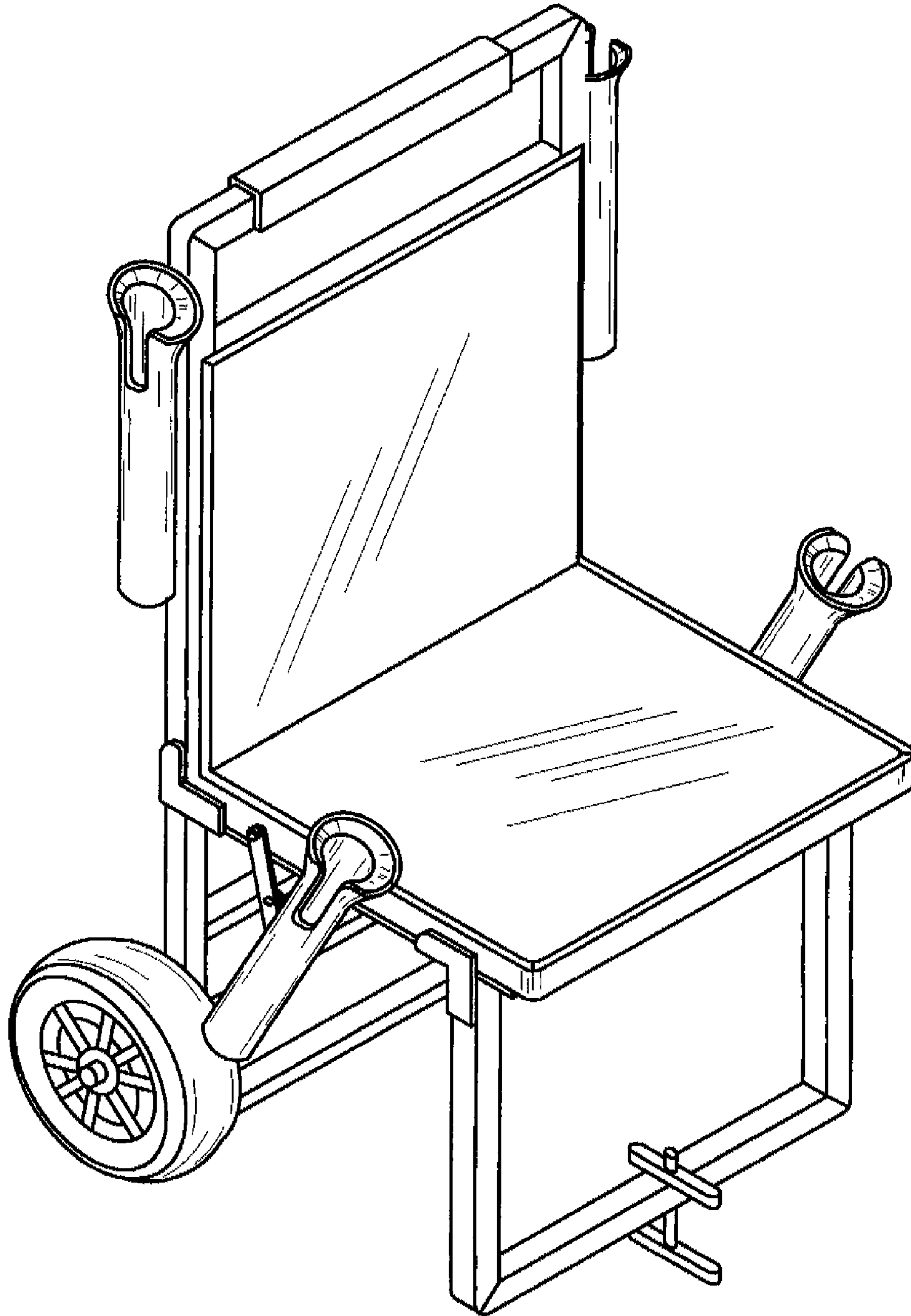


FIG. 1

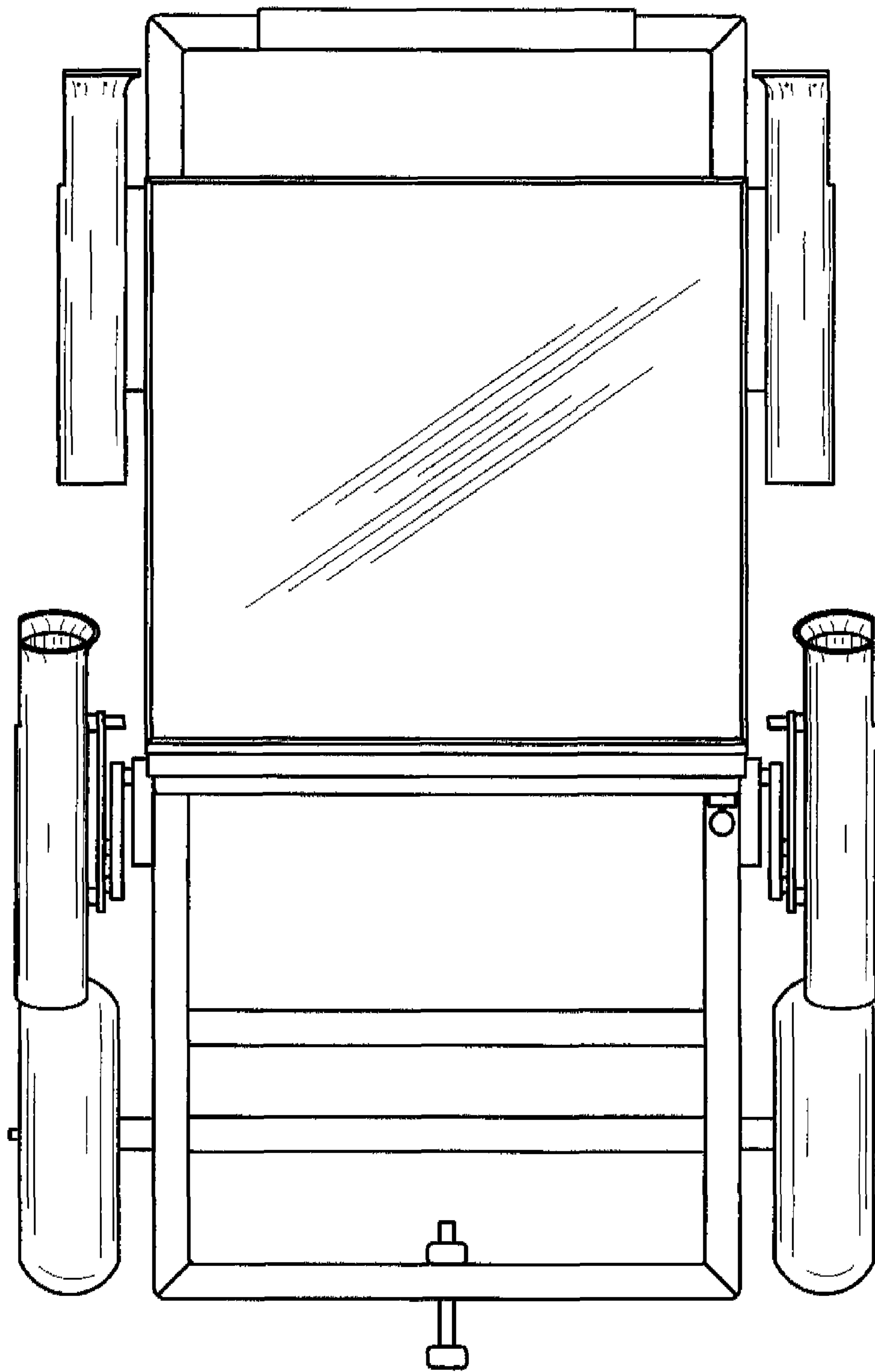


FIG.2

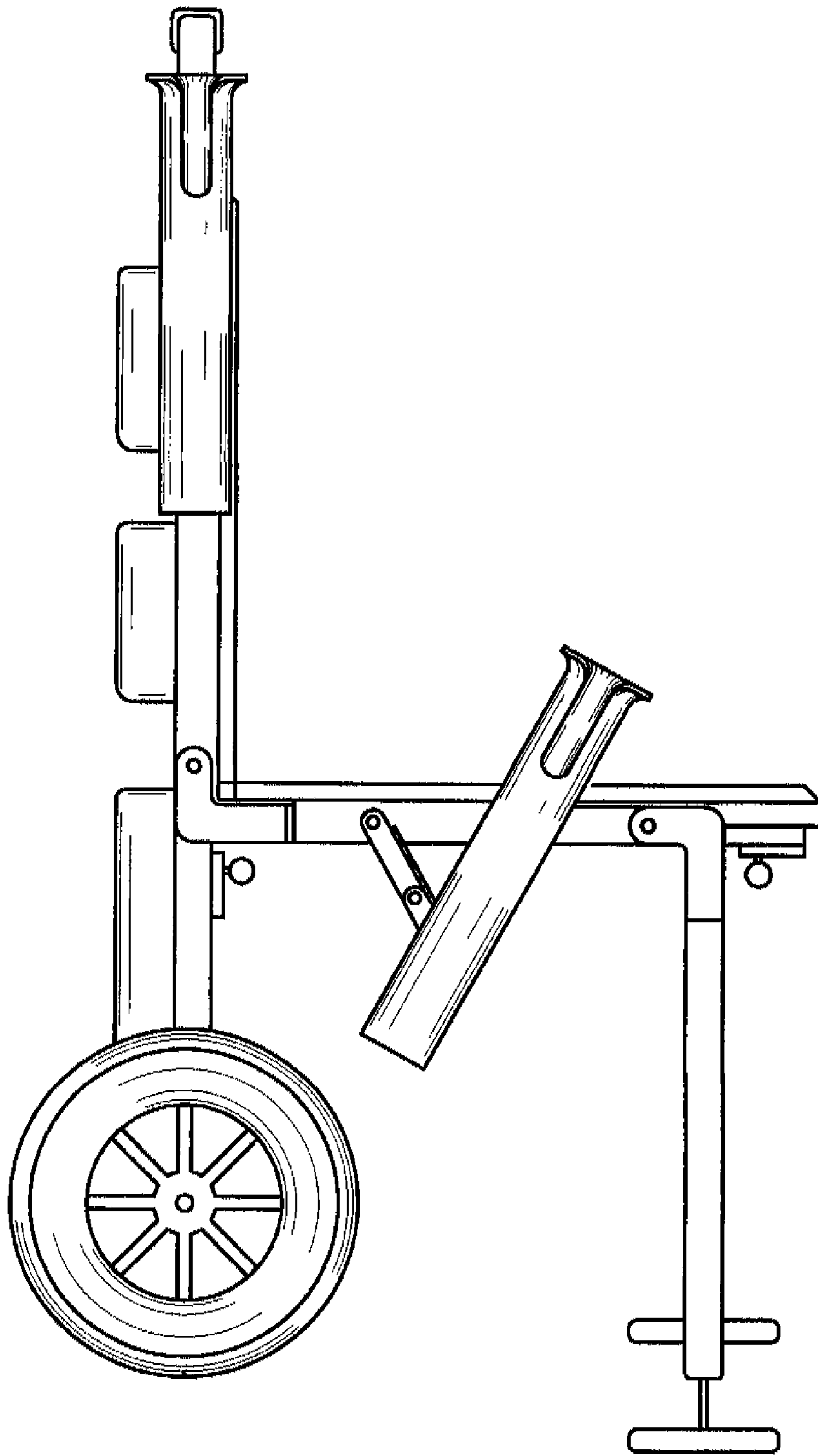


FIG.3

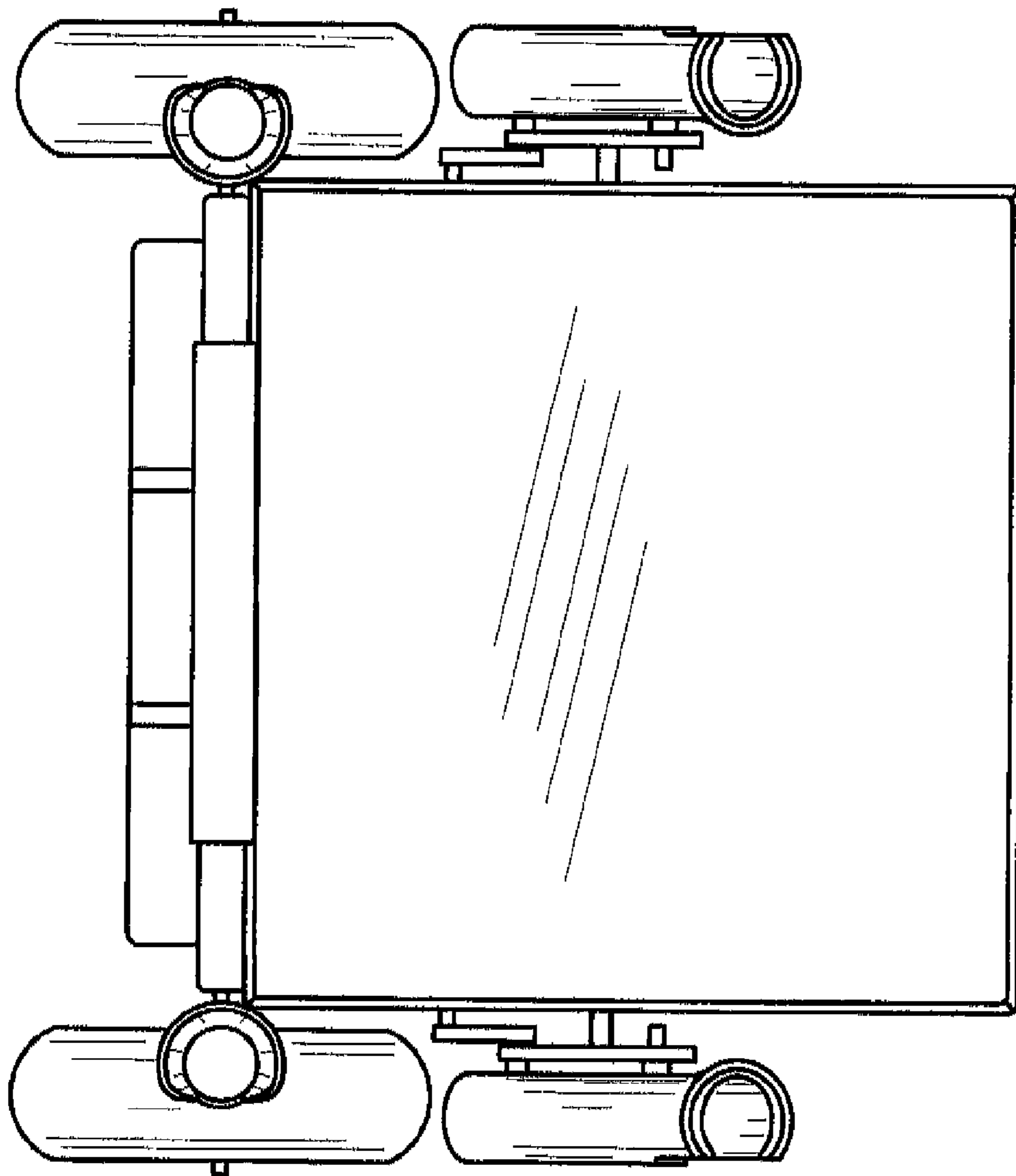


FIG.4

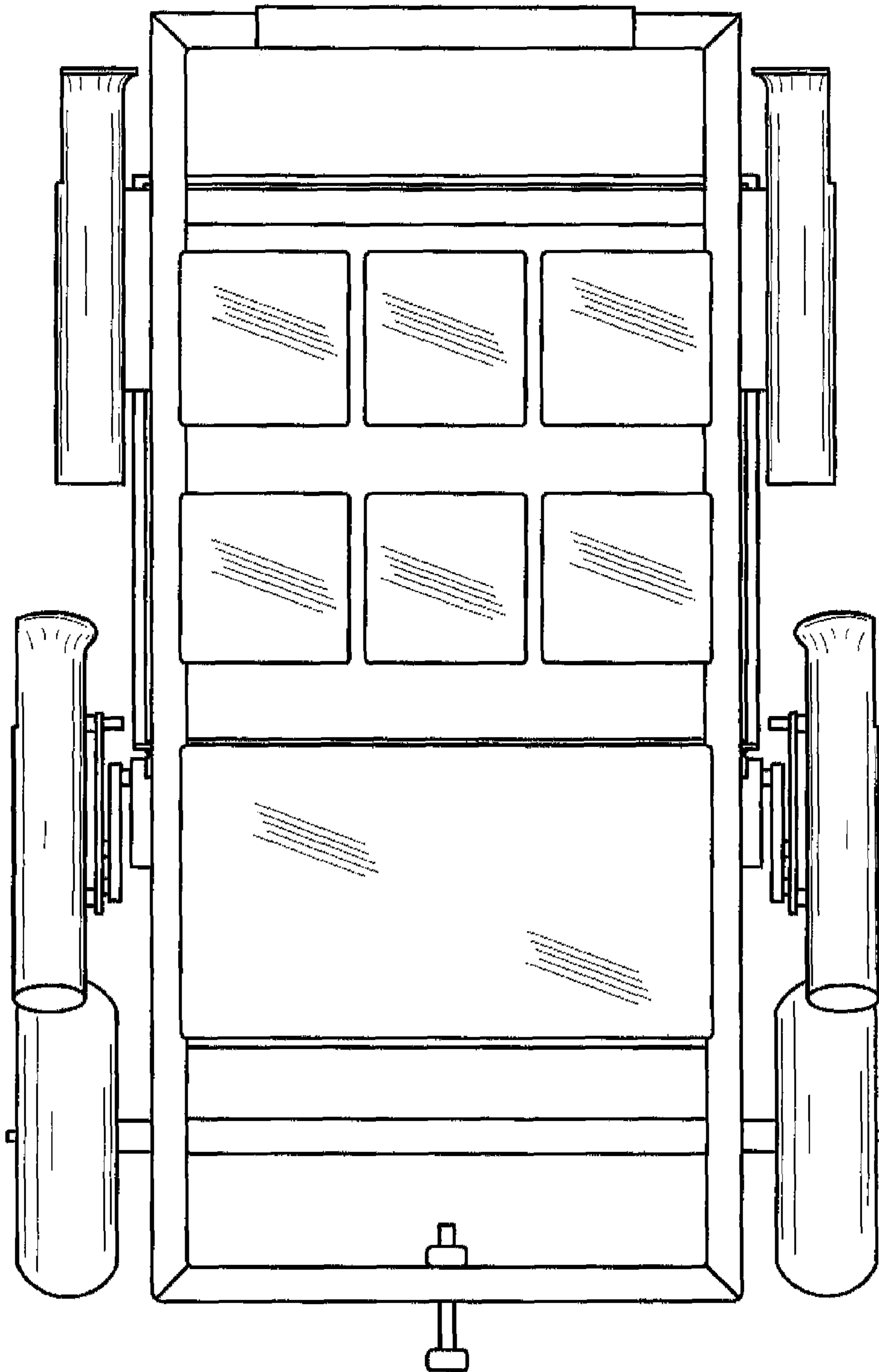


FIG.5

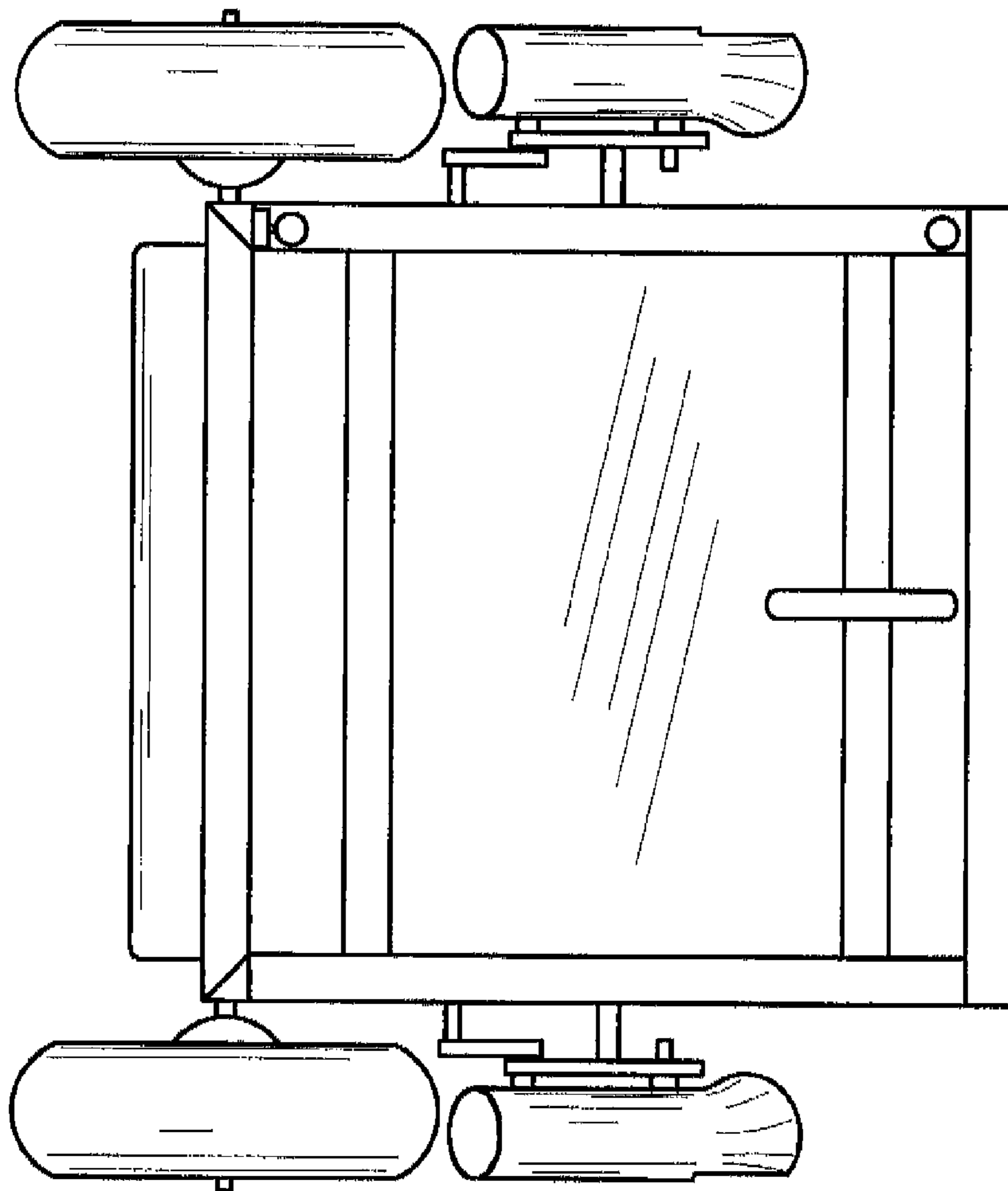


FIG.6