



US00D671289S

(12) **United States Design Patent**
Skalka

(10) **Patent No.:** **US D671,289 S**

(45) **Date of Patent:** **** Nov. 20, 2012**

(54) **RECYCLING BIN**

(74) *Attorney, Agent, or Firm* — Jacobson Holman PLLC

(75) Inventor: **Gerald P. Skalka**, Potomac, MD (US)

(73) Assignee: **Victor Stanley, Inc.**, Dunkirk, MD (US)

(**) Term: **14 Years**

(21) Appl. No.: **29/420,087**

(22) Filed: **May 4, 2012**

(57) **CLAIM**

The ornamental design for a recycling bin, as shown and described.

Related U.S. Application Data

(62) Division of application No. 29/391,693, filed on May 12, 2011, now Pat. No. Des. 661,857.

(51) **LOC (9) Cl.** **09-09**

(52) **U.S. Cl.** **D34/6**

(58) **Field of Classification Search** D34/1,
D34/5, 6, 7, 8, 9, 10, 11; 220/908, 908.1,
220/912, 913, 909

See application file for complete search history.

DESCRIPTION

FIG. 1 is an isometric view of a recycling bin showing my new design, shown with the door in the closed position and with the removable liner bins inserted therein.

FIG. 2 is an isometric view of the recycling bin of FIG. 1, shown with the door in the open position and with the removable liner bins inserted therein.

FIG. 3 is an isometric view of the recycling bin of FIG. 1, shown with the door in the open position and with an exploded view of the removable liner bins removed therefrom.

FIG. 4 is a front elevational view of the recycling bin of FIG. 1, shown with the door in the closed position and with the removable liner bins inserted therein.

FIG. 5 is a left side elevational view of the recycling bin of FIG. 1, shown with the door in the closed position and with the removable liner bins inserted therein.

FIG. 6 is a top plan view of the recycling bin of FIG. 1, shown with the door in the closed position.

FIG. 7 is a rear elevational view of the recycling bin of FIG. 1, shown with the door in the closed position and with the removable liner bins inserted therein.

FIG. 8 is a right side elevational view of the recycling bin of FIG. 1, shown with the door in the closed position and with the removable liner bins inserted therein; and,

FIG. 9 is a bottom plan view of the recycling bin of FIG. 1, shown with the door in the closed position.

The stippling on the liner bins in FIGS. 1-5, 7, and 8 represents surface shading.

(56) **References Cited**

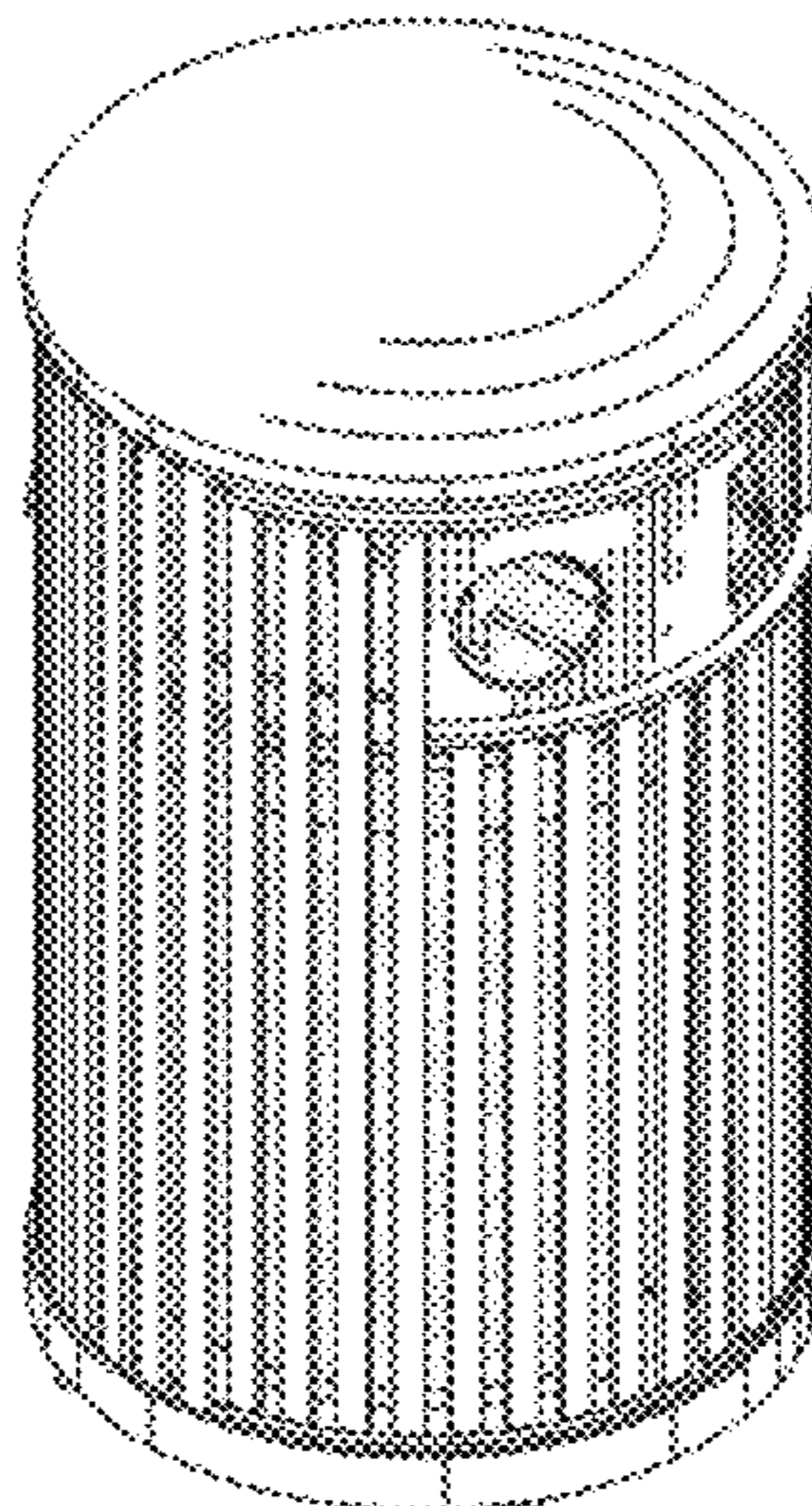
U.S. PATENT DOCUMENTS

1,080,470	A	12/1913	Nutter et al.	
D215,345	S	9/1969	Mangold	
4,955,497	A	9/1990	Winden et al.	
D424,769	S	5/2000	Hornyak	
D461,939	S	8/2002	Skalka	
D476,454	S	6/2003	Skalka	
D476,455	S	6/2003	Skalka	
D480,526	S	10/2003	Hardy et al.	
D487,538	S	3/2004	Skalka	
D536,853	S	2/2007	Presnell	
D545,023	S	6/2007	Weiss	
D601,770	S	10/2009	Skalka	
D620,665	S	7/2010	Chu	
D621,568	S	8/2010	Chu	
D652,600	S	1/2012	Chu	
D661,857	S *	6/2012	Skalka D34/6

* cited by examiner

Primary Examiner — Cynthia Ramirez

1 Claim, 3 Drawing Sheets



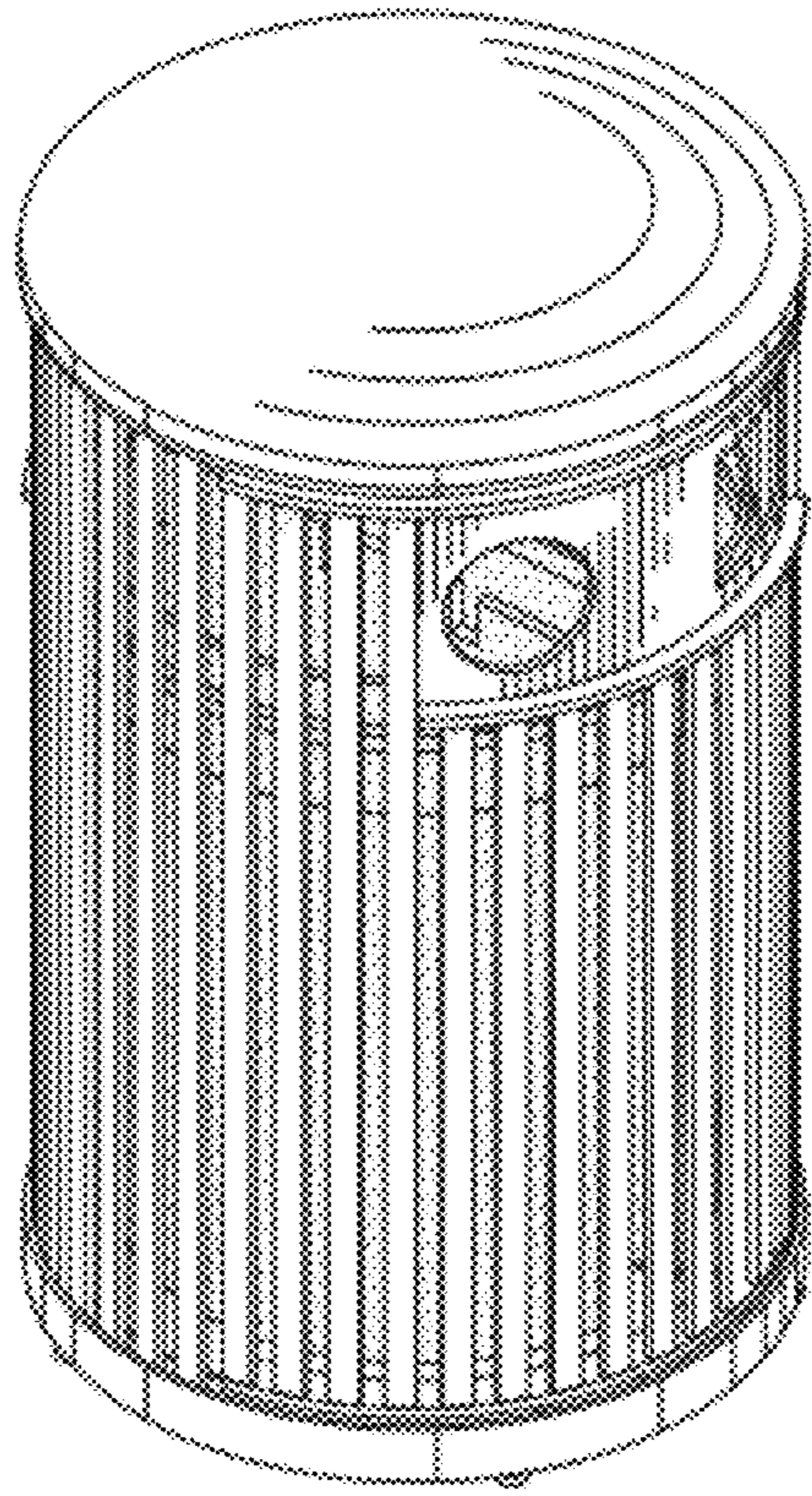


FIG. 1

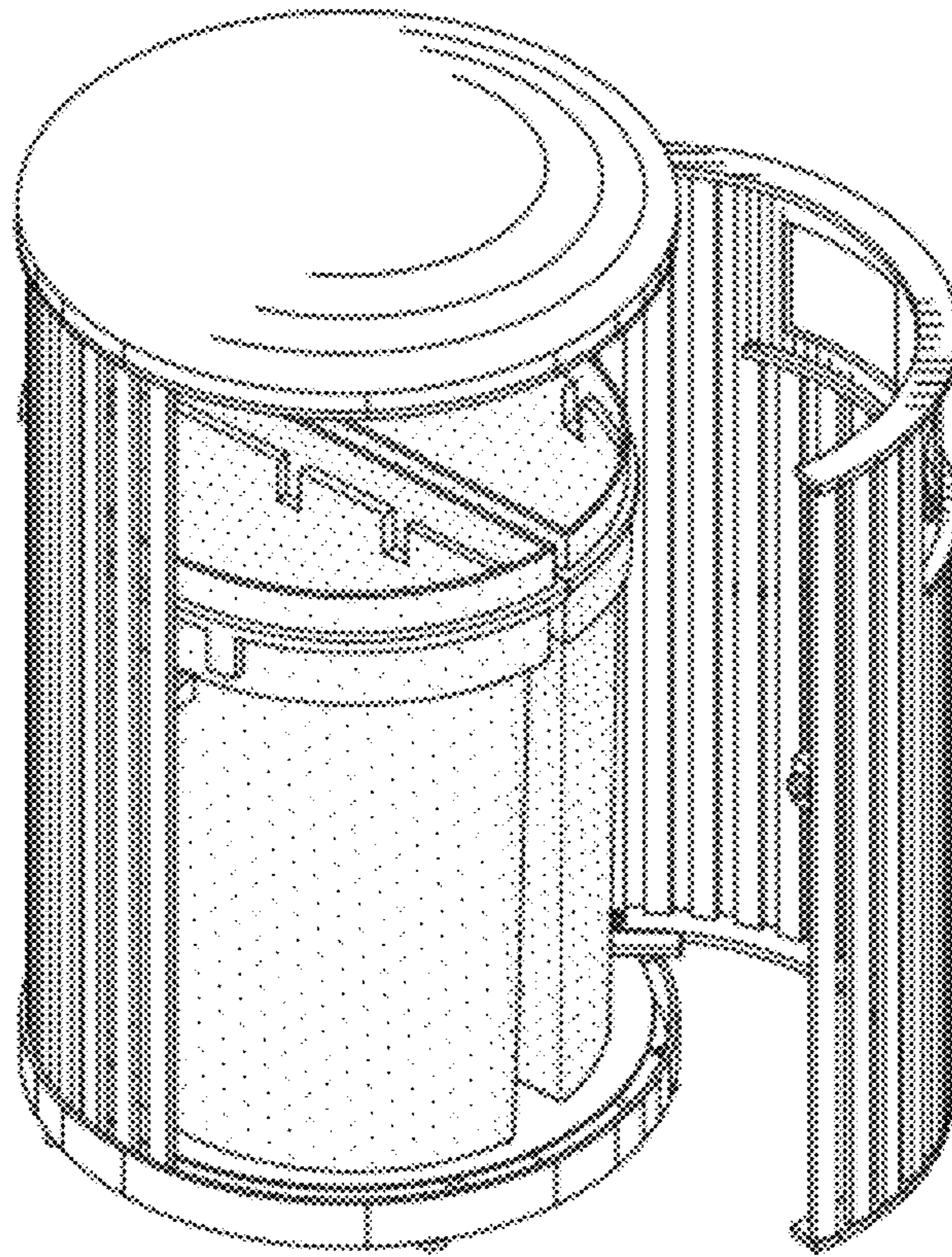


FIG. 2

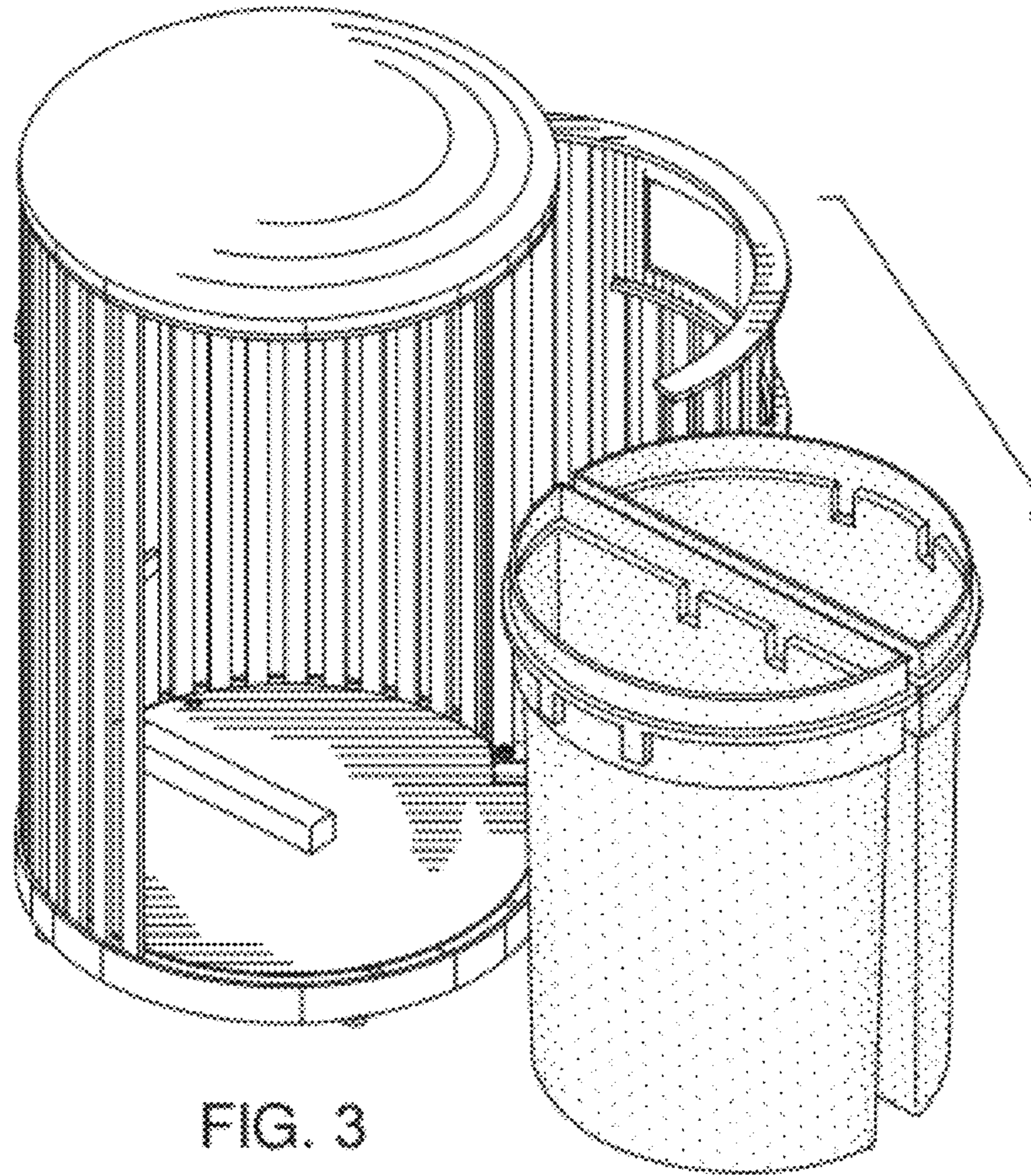


FIG. 3

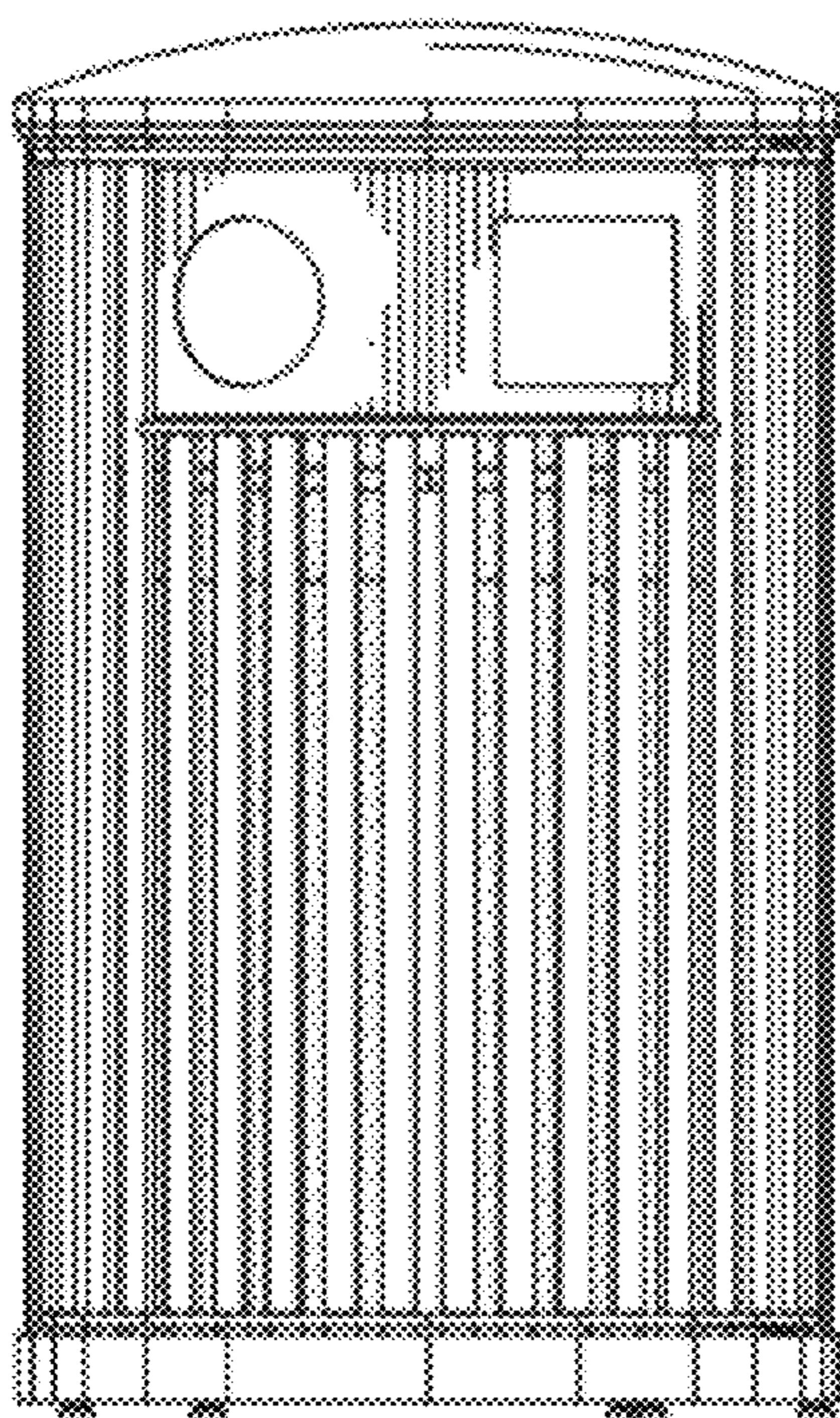


FIG. 4

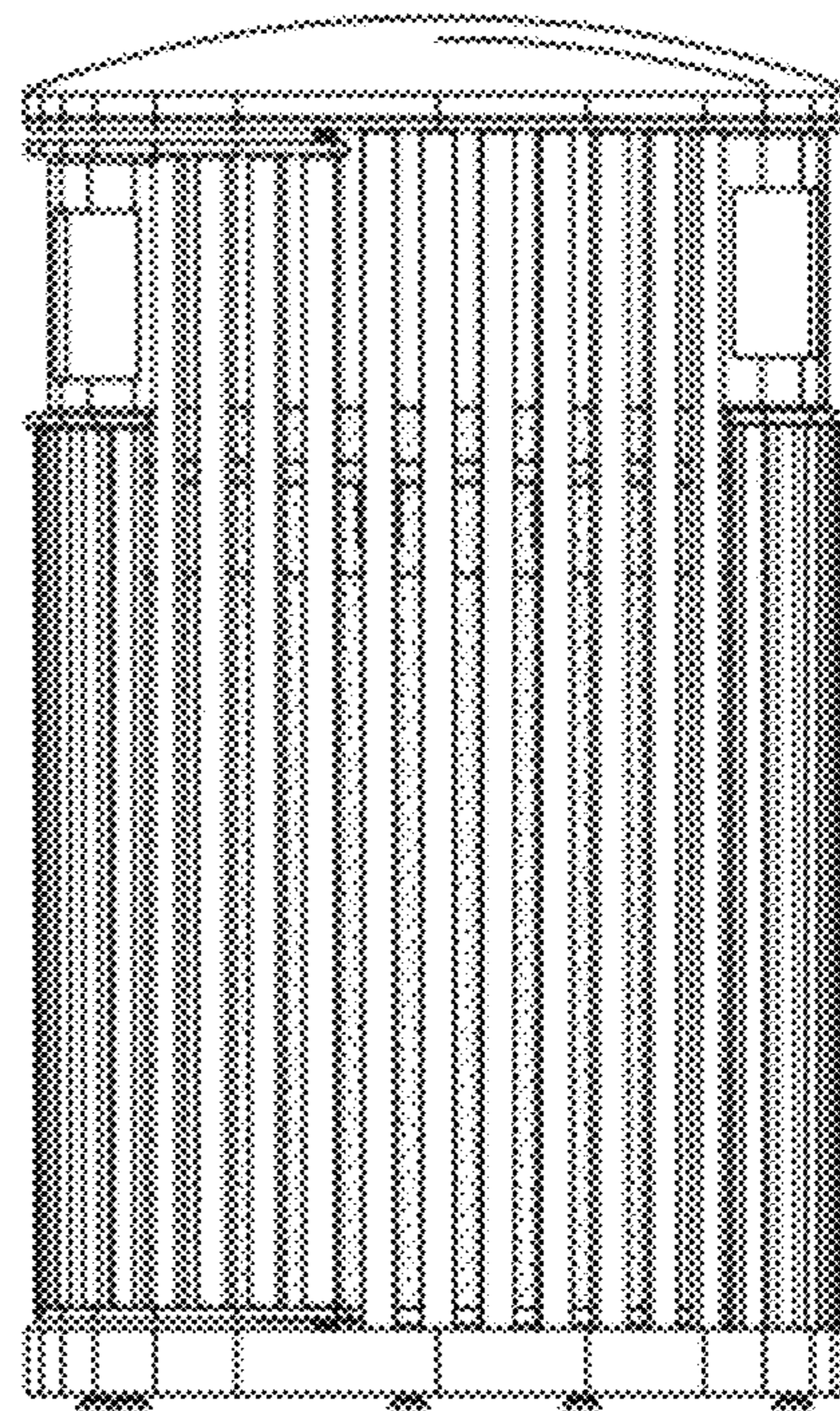


FIG. 5

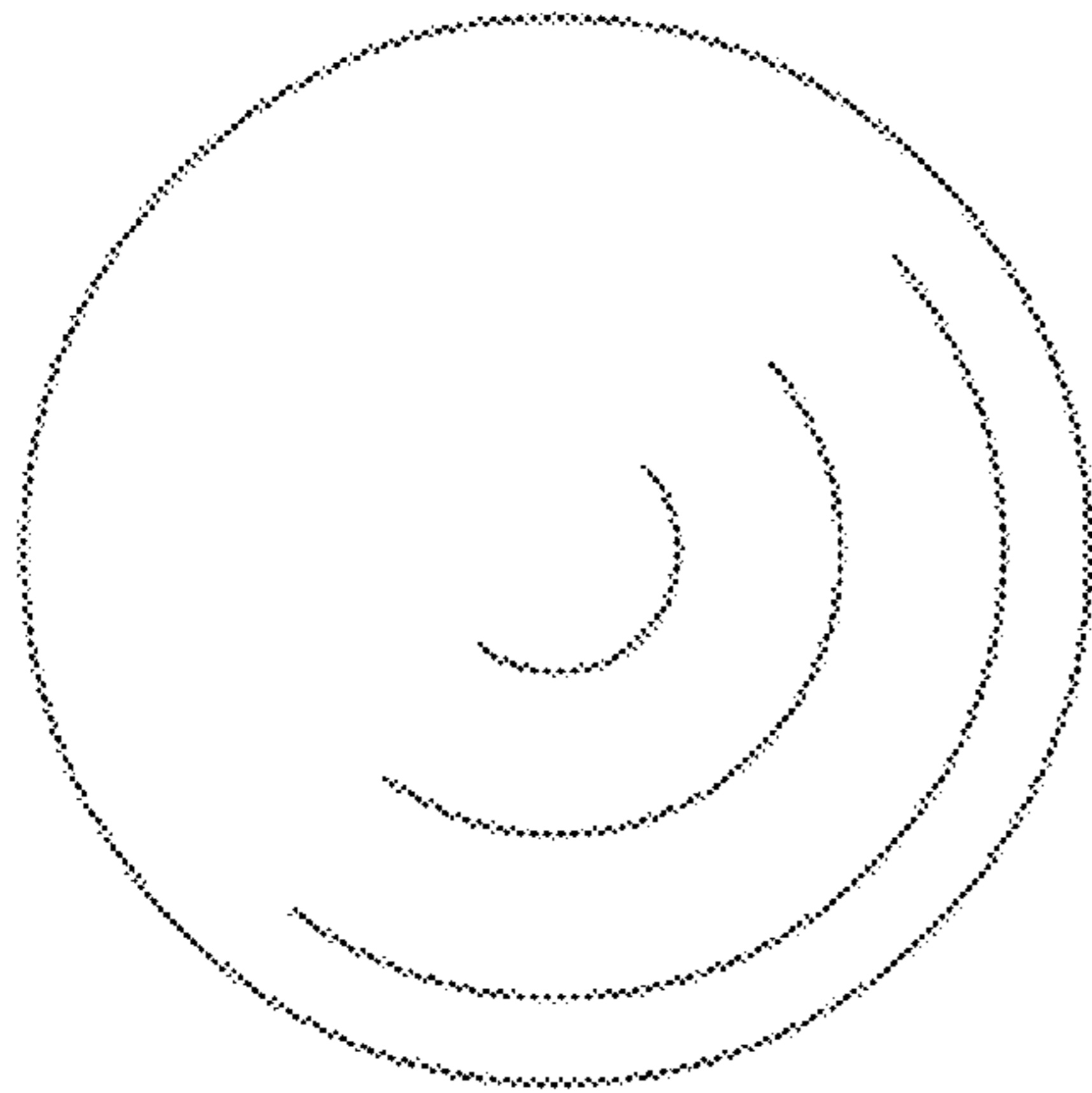


FIG. 6

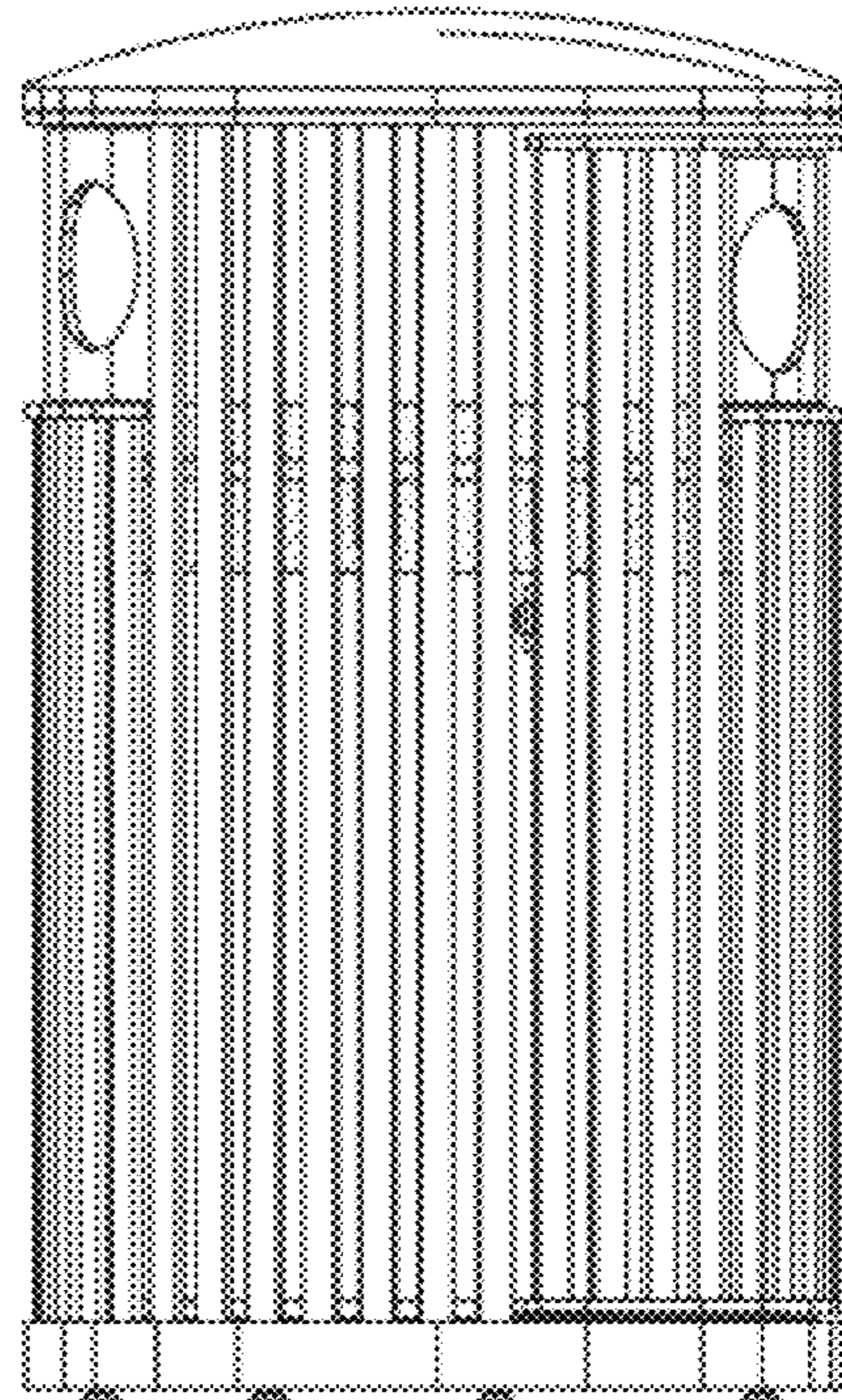


FIG. 8

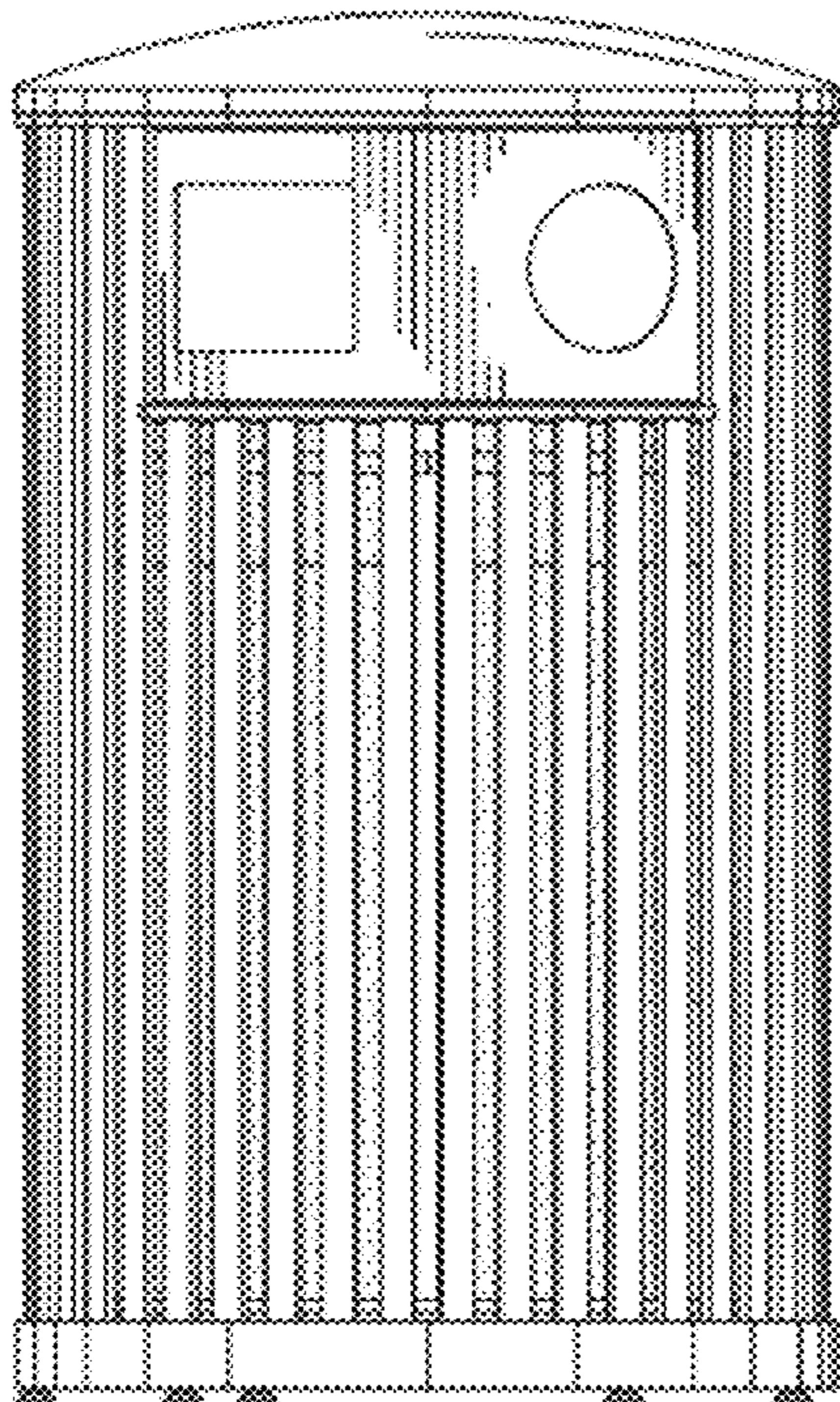


FIG. 7

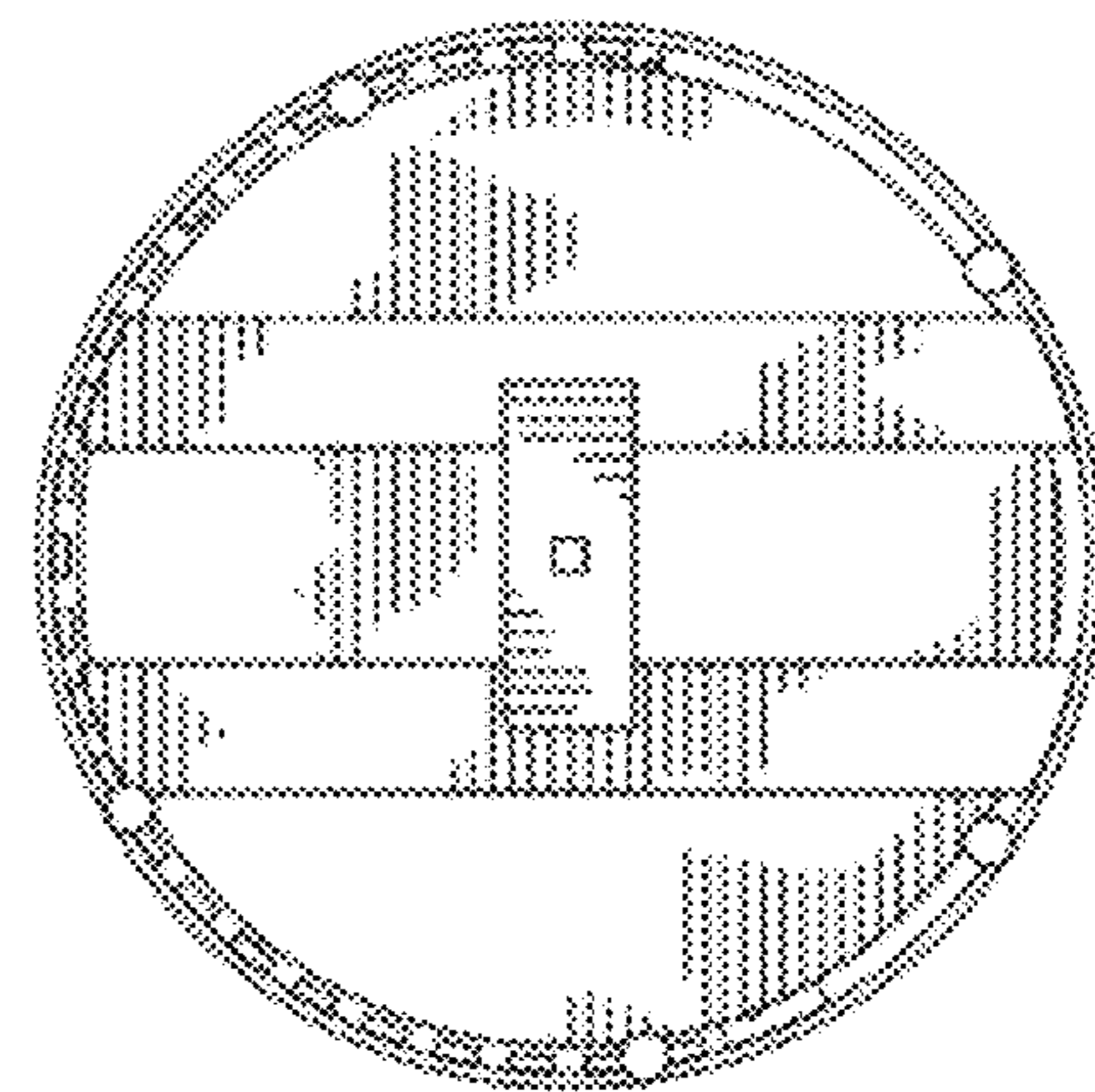


FIG. 9

FIG. 8