



US00D671288S

(12) **United States Design Patent**
Van Landingham, Jr. et al.

(10) **Patent No.:** **US D671,288 S**
(45) **Date of Patent:** **** Nov. 20, 2012**

(54) **MOP BUCKET**

(75) Inventors: **Alfred Reneau Van Landingham, Jr.**,
Winchester, VA (US); **Jesse Andrew**
Matola, Winchester, VA (US)

(73) Assignee: **Rubbermaid Commercial Products,**
LLC, Winchester, VA (US)

(**) Term: **14 Years**

(21) Appl. No.: **29/423,650**

(22) Filed: **Jun. 4, 2012**

Related U.S. Application Data

(63) Continuation of application No. 29/405,932, filed on
Nov. 8, 2011, now abandoned.

(51) **LOC (9) Cl.** **07-07**

(52) **U.S. Cl.** **D32/53**

(58) **Field of Classification Search** D32/53,
D32/53.1, 54; 15/260, 261, 262, 264, 257.06;
34/399

See application file for complete search history.

(56) **References Cited**

U.S. PATENT DOCUMENTS

750,354 A	1/1904	Fowler et al.
3,441,973 A	5/1969	Turk
D296,254 S	6/1988	Jaros et al.
5,175,904 A	1/1993	Pagani
D338,299 S	8/1993	Delmerico et al.

5,548,865 A	8/1996	Pagani
6,389,638 B1	5/2002	Dickinson et al.
7,225,499 B1	6/2007	Duncan et al.
7,350,260 B2	4/2008	Papa
7,490,745 B1	2/2009	Robinson
8,082,620 B2	12/2011	Hoyle et al.
D659,926 S	5/2012	Van Landingham, Jr. et al.

Primary Examiner — Robin V Webster

(74) *Attorney, Agent, or Firm* — Dennis J. Williamson;
Moore & Van Allen PLLC

(57) **CLAIM**

We claim the ornamental design for a mop bucket, as shown
and described.

DESCRIPTION

FIG. 1 is a front view showing our new design for a mop
bucket;

FIG. 2 is a right side view showing our new design shown in
FIG. 1;

FIG. 3 is a left side view showing our new design shown in
FIG. 1;

FIG. 4 is a perspective view showing our new design shown in
FIG. 1;

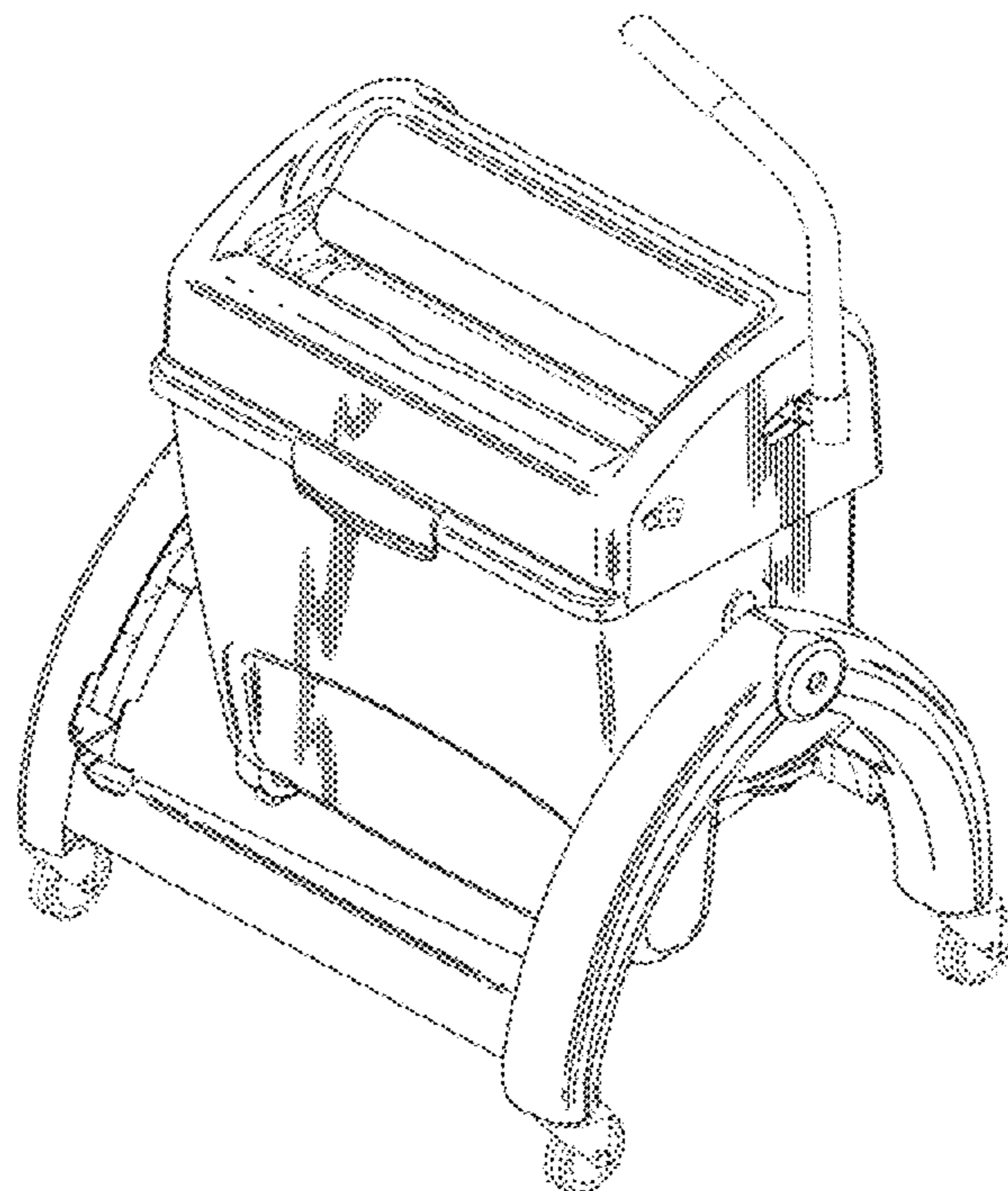
FIG. 5 is a back view showing our new design shown in FIG.
1;

FIG. 6 is a top view showing our new design shown in FIG. 1;
and,

FIG. 7 is a bottom view showing our new design shown in
FIG. 1.

The portions shown in broken lines are not part of the claimed
design but show the environment in which the design is asso-
ciated.

1 Claim, 7 Drawing Sheets



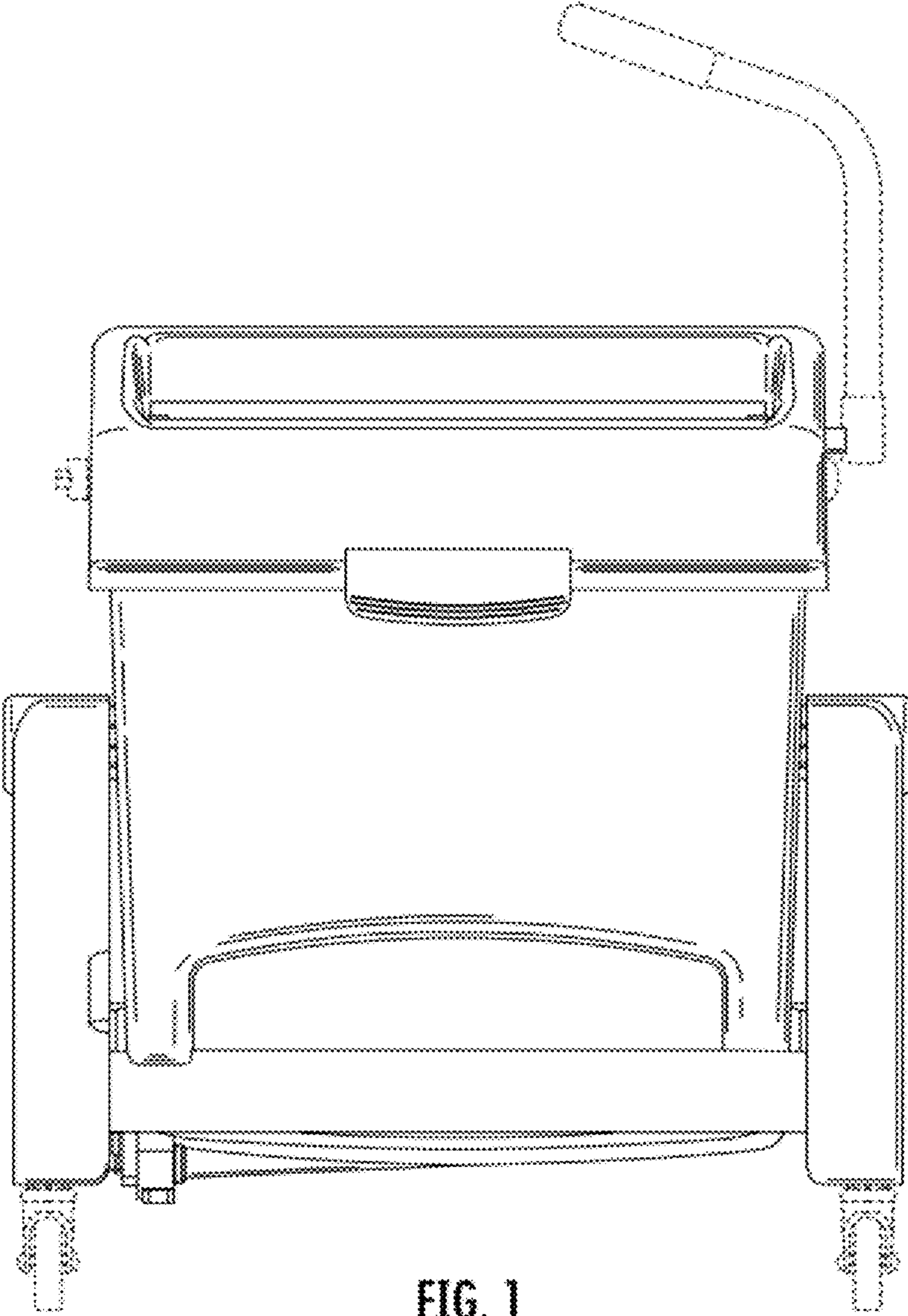


FIG. 1

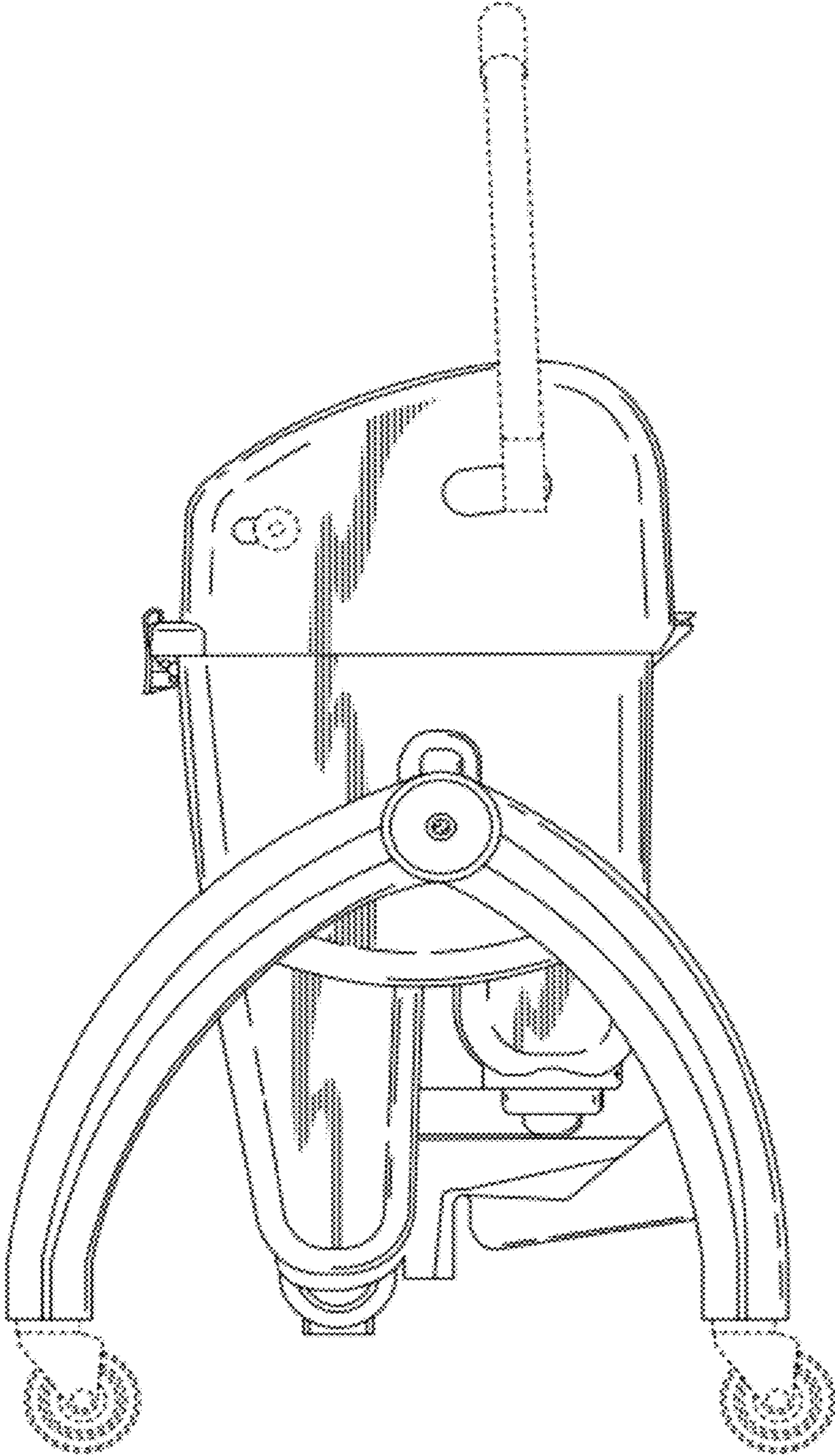


FIG. 2

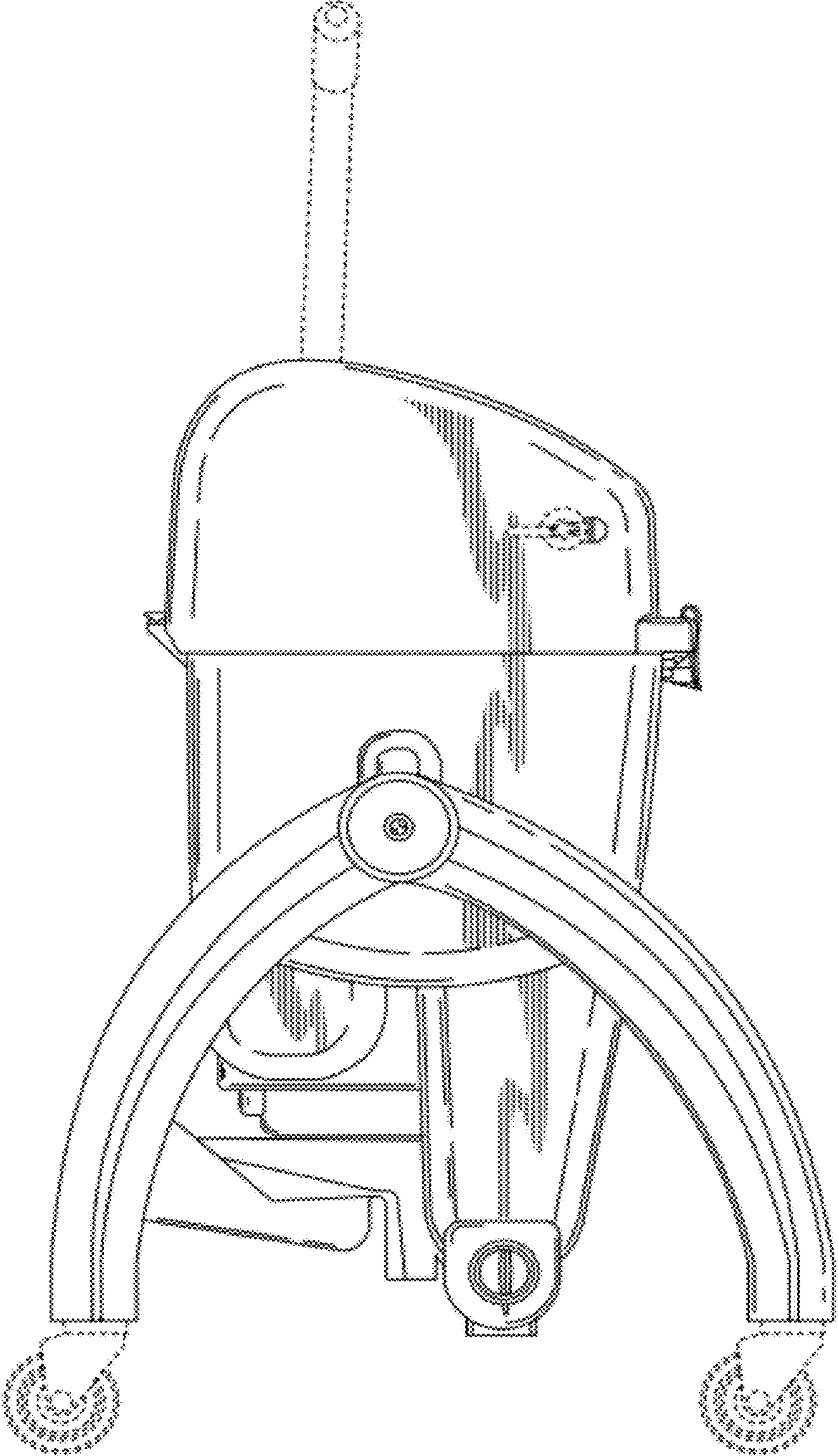


FIG. 3

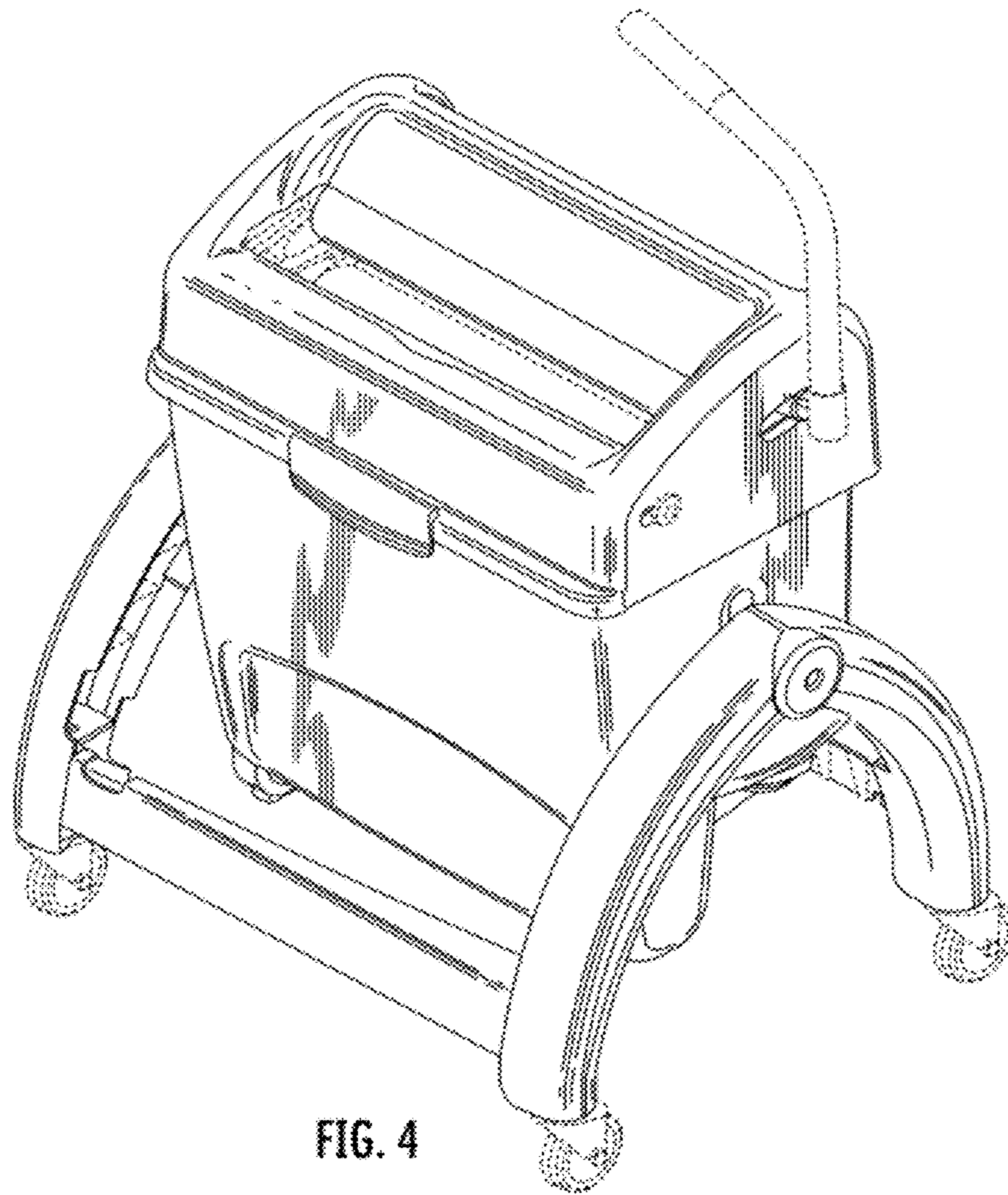


FIG. 4

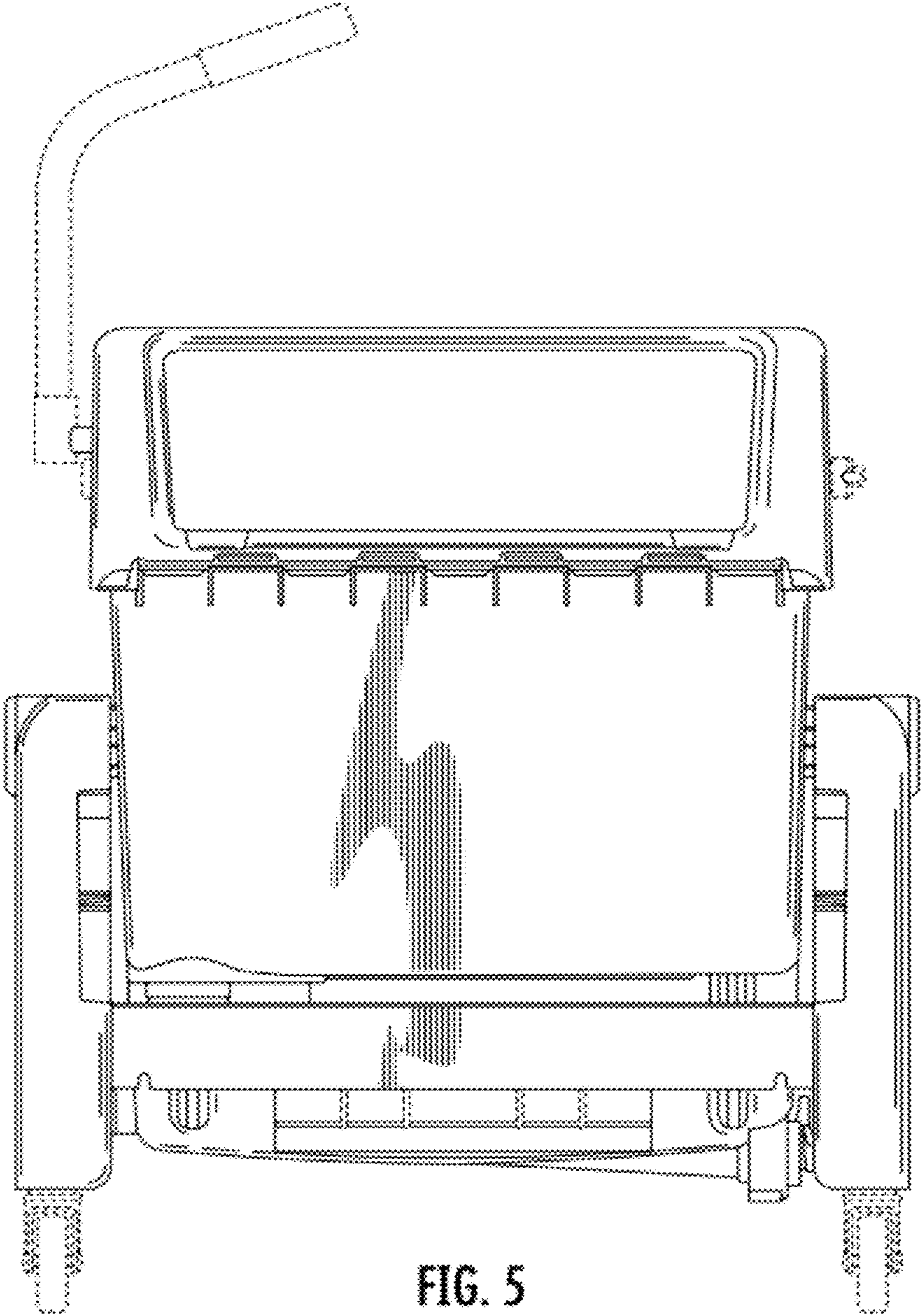


FIG. 5

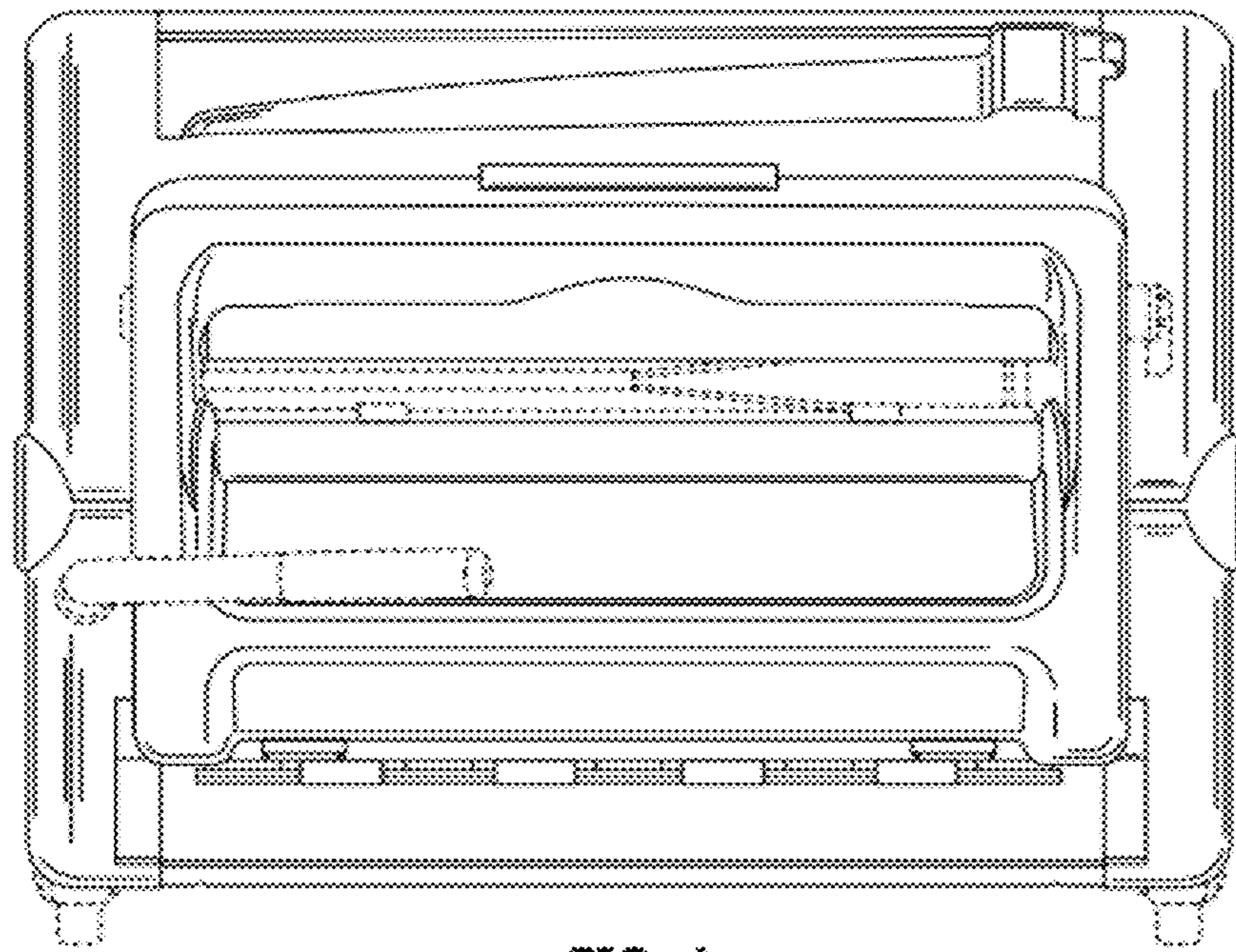


FIG. 6

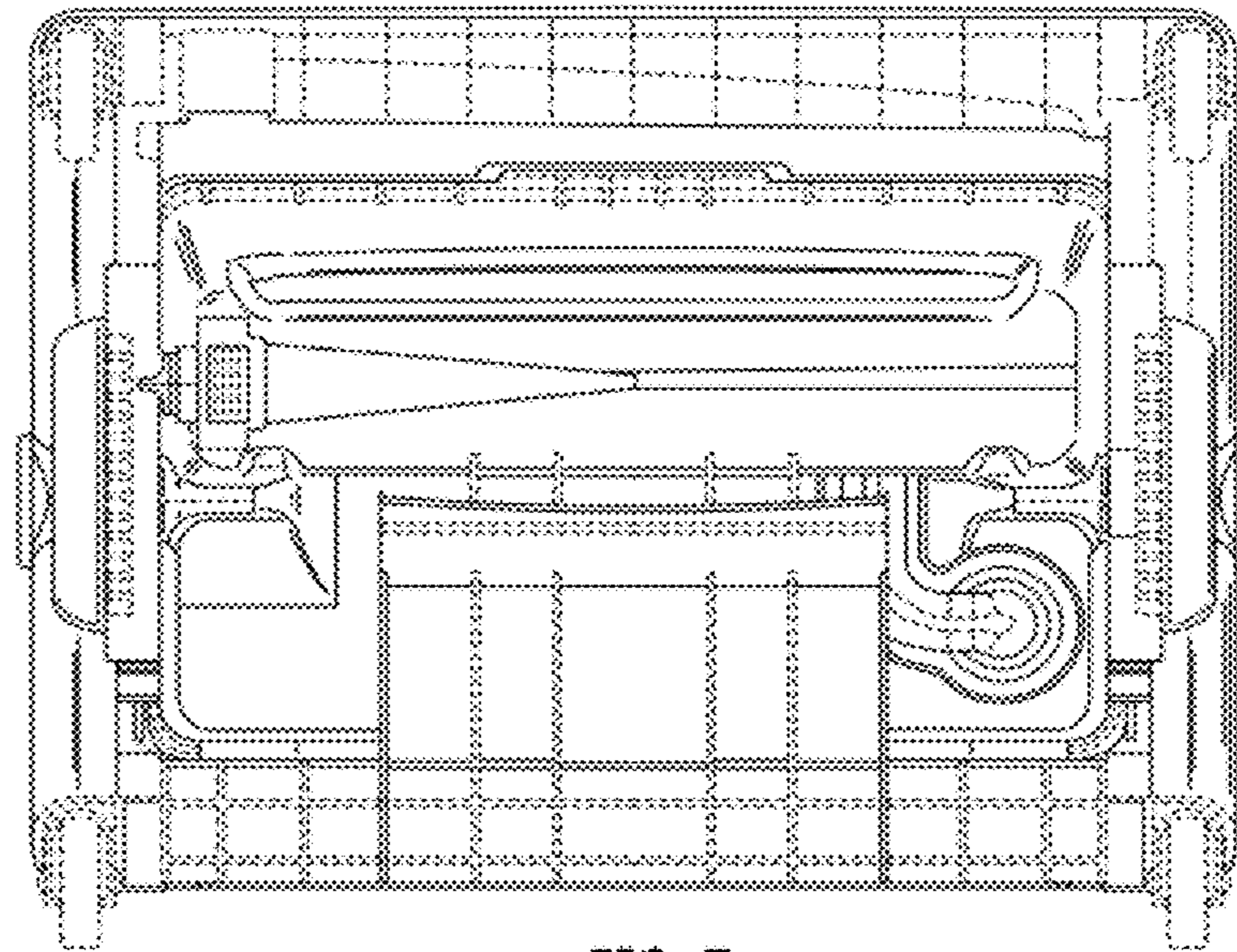


FIG. 7