



US00D671285S

(12) **United States Design Patent**
Paterson

(10) **Patent No.:** **US D671,285 S**
(45) **Date of Patent:** **** Nov. 20, 2012**

- (54) **VACUUM HANDLE**
- (75) Inventor: **Christopher M. Paterson**, Franklin, TN (US)
- (73) Assignee: **Oreck Holdings LLC**, Nashville, TN (US)
- (**) Term: **14 Years**
- (21) Appl. No.: **29/405,592**
- (22) Filed: **Nov. 3, 2011**
- (51) **LOC (9) Cl.** **15-05**
- (52) **U.S. Cl.** **D32/34**
- (58) **Field of Classification Search** D32/22, D32/30, 31, 34; 15/347, 350–353, 410–412, 15/320, 414, 327.4, 340.1, 340.2, 329, 361–362, 15/415.1; 55/429, DIG. 3, 337; 301/7
See application file for complete search history.

2,058,371 A	10/1936	Roosen	
2,093,748 A	9/1937	Becker	
2,128,525 A	8/1938	Dyer	
2,202,999 A	6/1940	Smellie	
2,244,165 A	6/1941	MacFarland et al.	
2,287,515 A	6/1942	Dow et al.	
2,343,056 A	2/1944	Harlett	
D185,698 S *	7/1959	Descarries	D32/34
D201,351 S *	6/1965	Frost et al.	D32/34
D288,016 S	1/1987	Watkins et al.	
6,033,451 A	3/2000	Fish et al.	
D424,261 S *	5/2000	Embree et al.	D32/34
D426,356 S	6/2000	Tsuruha	
D429,041 S *	8/2000	Medema et al.	D32/22
D453,404 S *	2/2002	Farone et al.	D32/34
D462,814 S	9/2002	Sugimoto	
D498,887 S *	11/2004	Kent	D32/22
7,024,724 B2	4/2006	Ponjican et al.	
D529,248 S *	9/2006	McCulloch	D32/34
D529,673 S *	10/2006	Dyson et al.	D32/34
D529,674 S *	10/2006	Dyson et al.	D32/34
D532,169 S *	11/2006	Dyson et al.	D32/34
D533,699 S *	12/2006	Dyson et al.	D32/34
D534,324 S	12/2006	Dyson et al.	

(Continued)

(56) **References Cited**

U.S. PATENT DOCUMENTS

1,104,612 A	7/1914	Bodey
1,108,248 A	8/1914	Schmitz
1,140,992 A	5/1915	Martin
1,210,522 A	1/1917	Orr
1,282,548 A	10/1918	Reamer
1,286,115 A	11/1918	Rosenfeld
1,288,312 A	12/1918	Wagner
1,437,996 A	12/1922	Robertson
1,530,575 A	3/1925	Pearl
1,556,021 A	10/1925	Orr
1,587,794 A	6/1926	O'Brien
1,591,325 A	7/1926	Kirby
1,647,292 A	11/1927	Hill
1,727,922 A	9/1929	Adams
1,843,901 A	2/1932	Pardee
1,879,710 A	9/1932	Reddig
1,903,855 A	4/1933	Townsend
1,918,695 A	7/1933	Gilbert
2,017,905 A	10/1935	Kitto
2,028,090 A	1/1936	Frantz
2,031,911 A	2/1936	Smellie
2,044,830 A	6/1936	Carlstedt

Primary Examiner — Ruth McInroy

(74) *Attorney, Agent, or Firm* — Winston & Strawn LLP

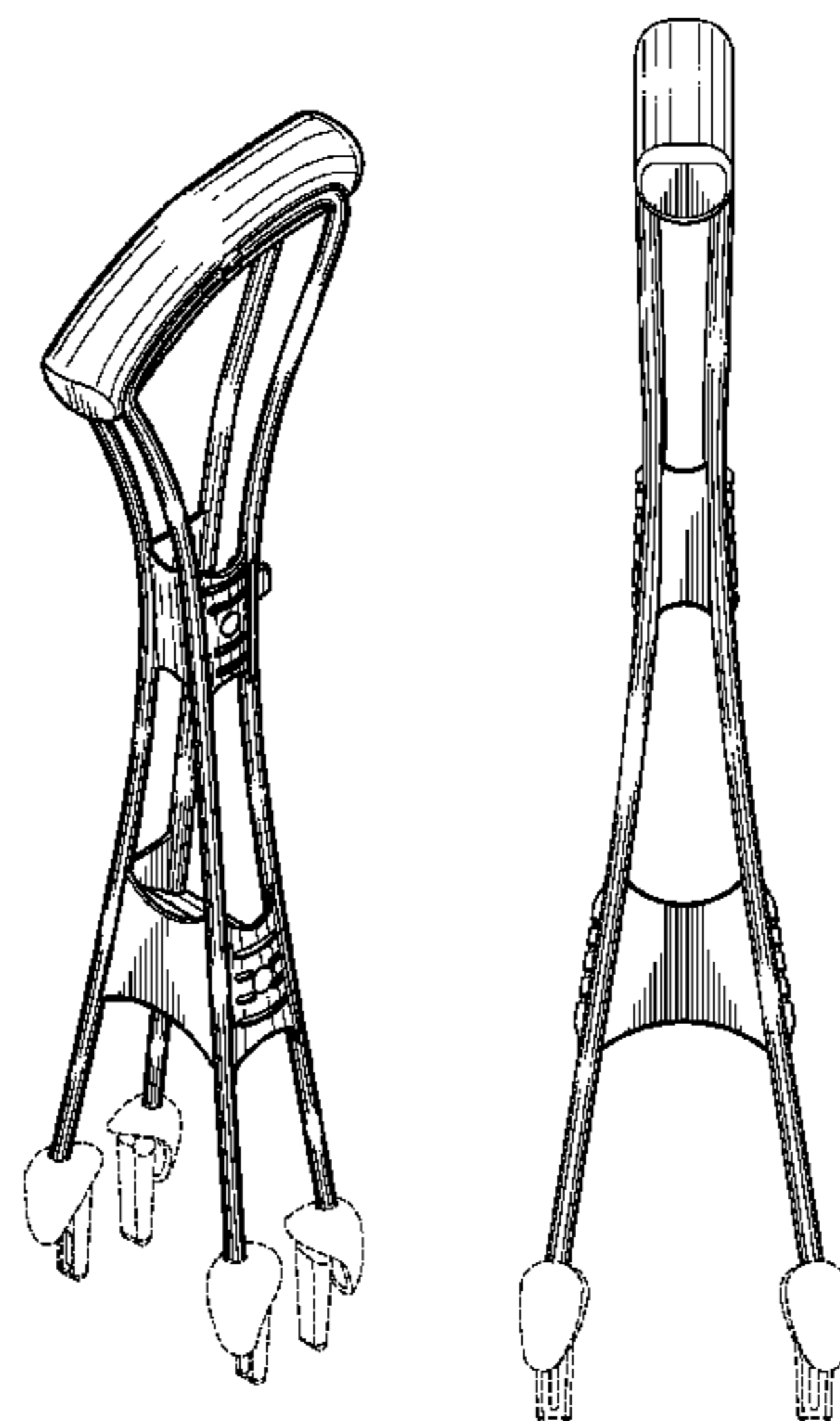
(57) **CLAIM**

I claim the ornamental design for a vacuum handle, as shown and described.

DESCRIPTION

FIG. 1 is a front perspective view of a vacuum handle showing my new design;
 FIG. 2 is a front view thereof;
 FIG. 3 is a rear view thereof;
 FIG. 4 is a right side view thereof;
 FIG. 5 is a left side view thereof;
 FIG. 6 is a top view thereof; and,
 FIG. 7 is a bottom view thereof.
 The broken lines in the Figures are for illustrative purposes only and form no part of the claimed design.

1 Claim, 6 Drawing Sheets



US D671,285 S

Page 2

U.S. PATENT DOCUMENTS

D544,158 S	6/2007	Bobrosky	
7,258,709 B2	8/2007	Ponjican et al.	
D562,511 S *	2/2008	Medema et al. D32/34
D570,561 S	6/2008	Dyson et al.	
D591,016 S	4/2009	Dyson et al.	
D596,360 S	7/2009	Dyson et al.	
D599,516 S *	9/2009	Baek	D32/34
2007/0209145 A1	9/2007	Tullett	
2008/0022486 A1	1/2008	Burlington	
2011/0088195 A1 *	4/2011	Dyson et al.	15/300.1

* cited by examiner

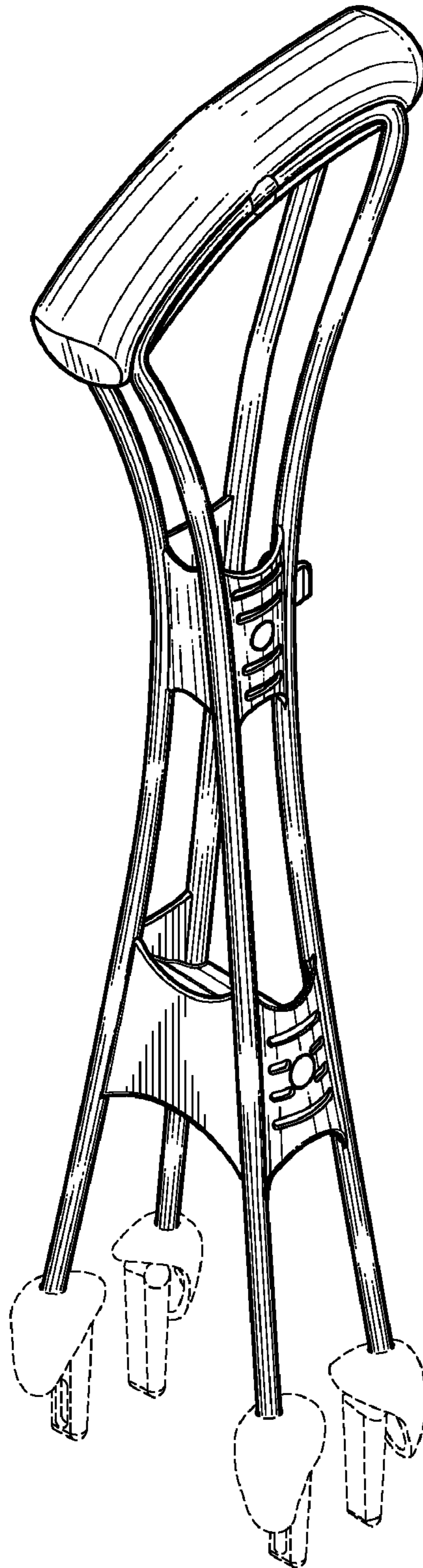


FIG. 1

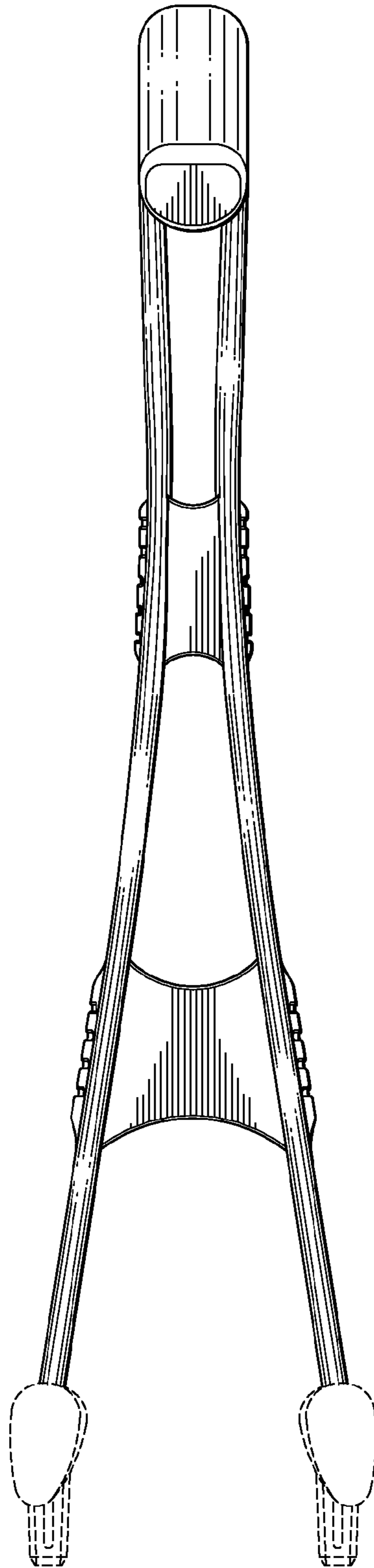


FIG. 2

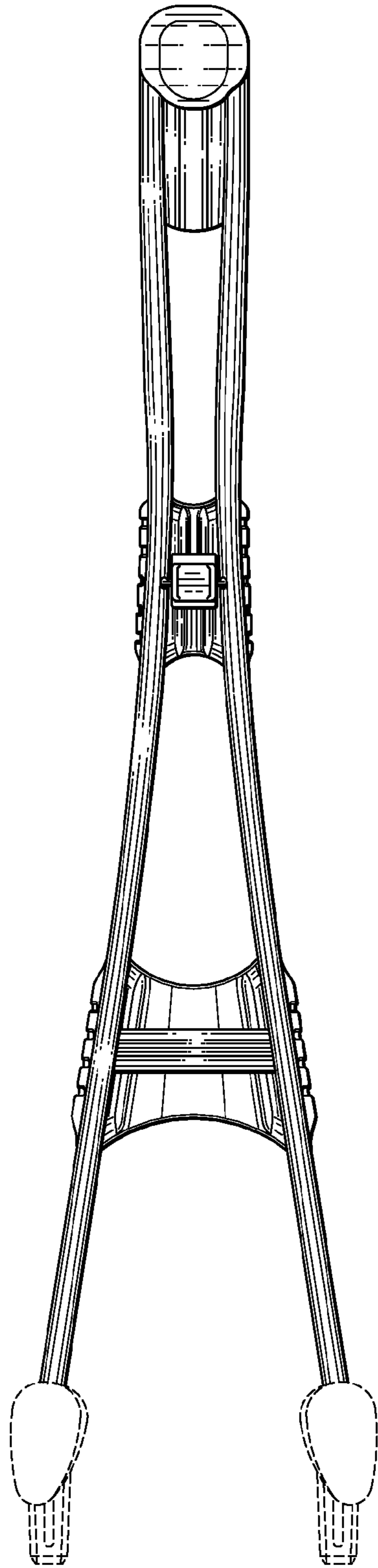


FIG. 3

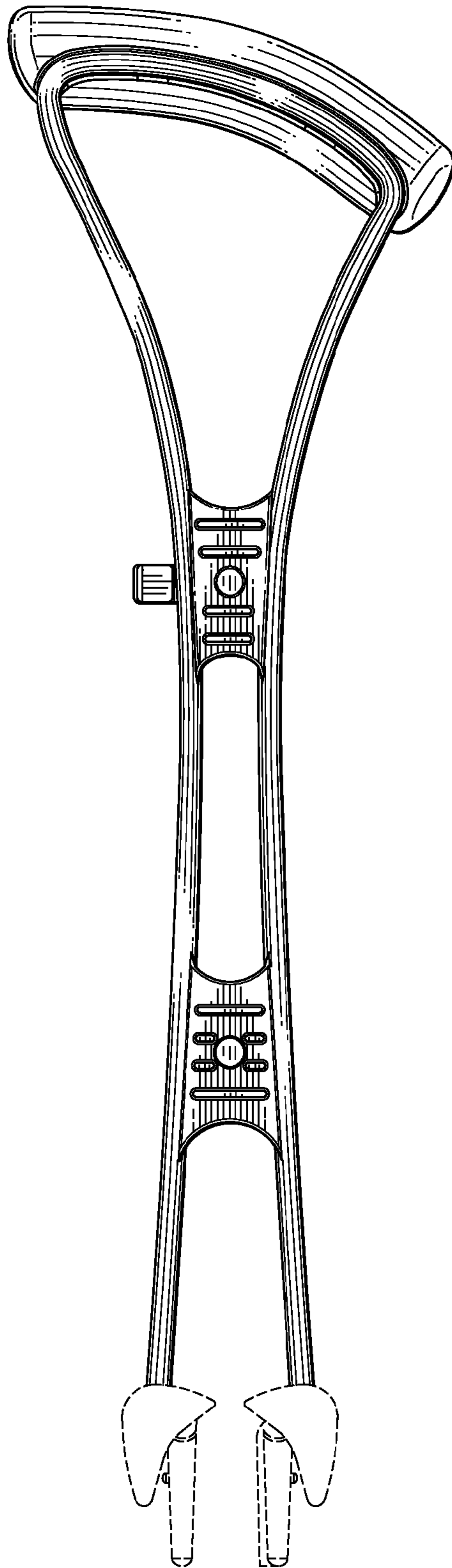


FIG. 4

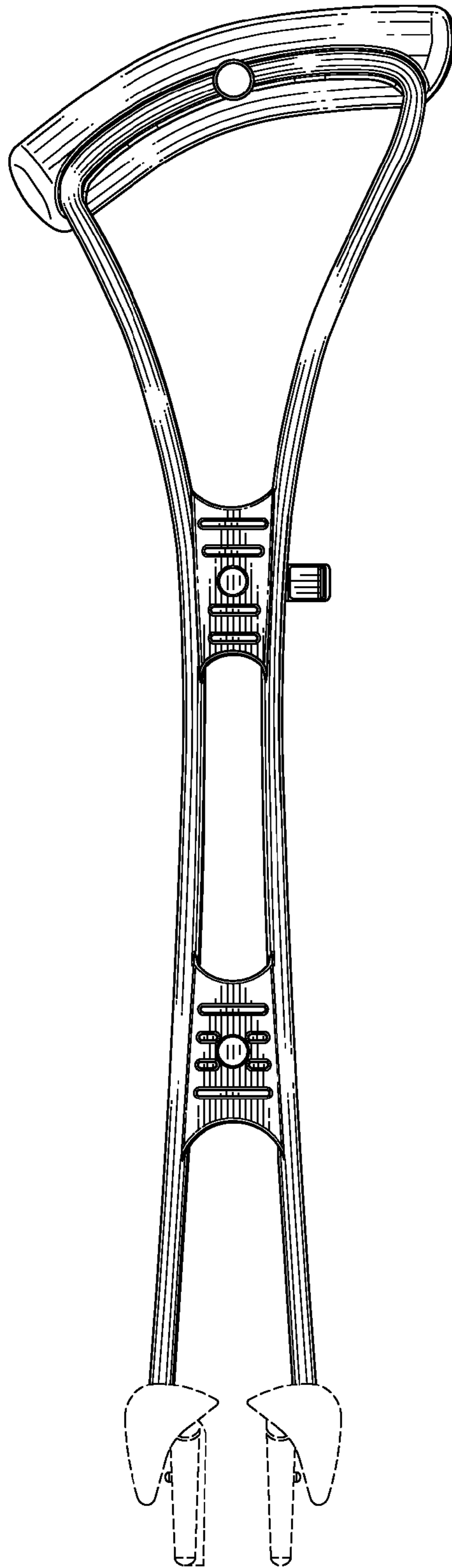


FIG. 5

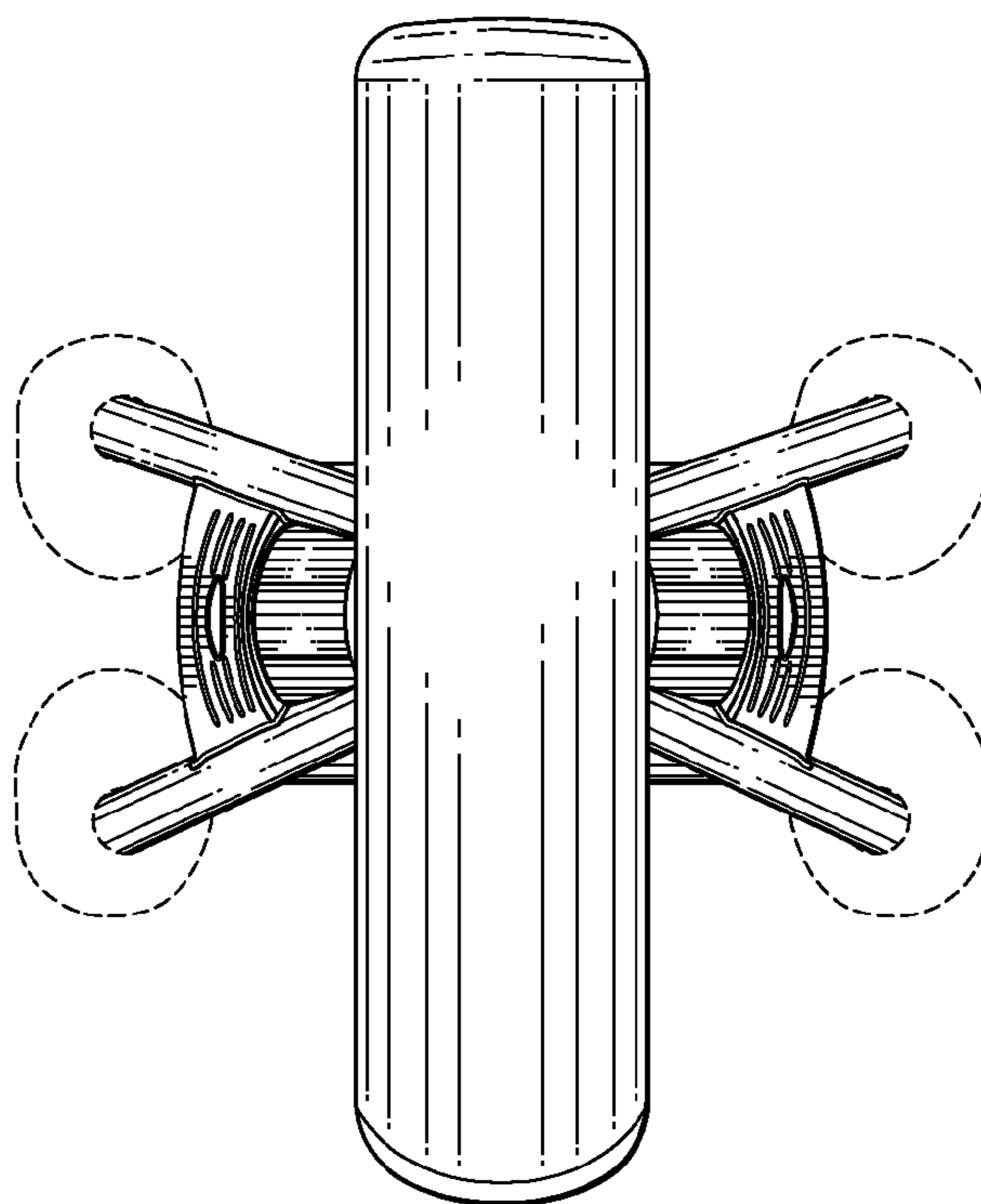


FIG. 6

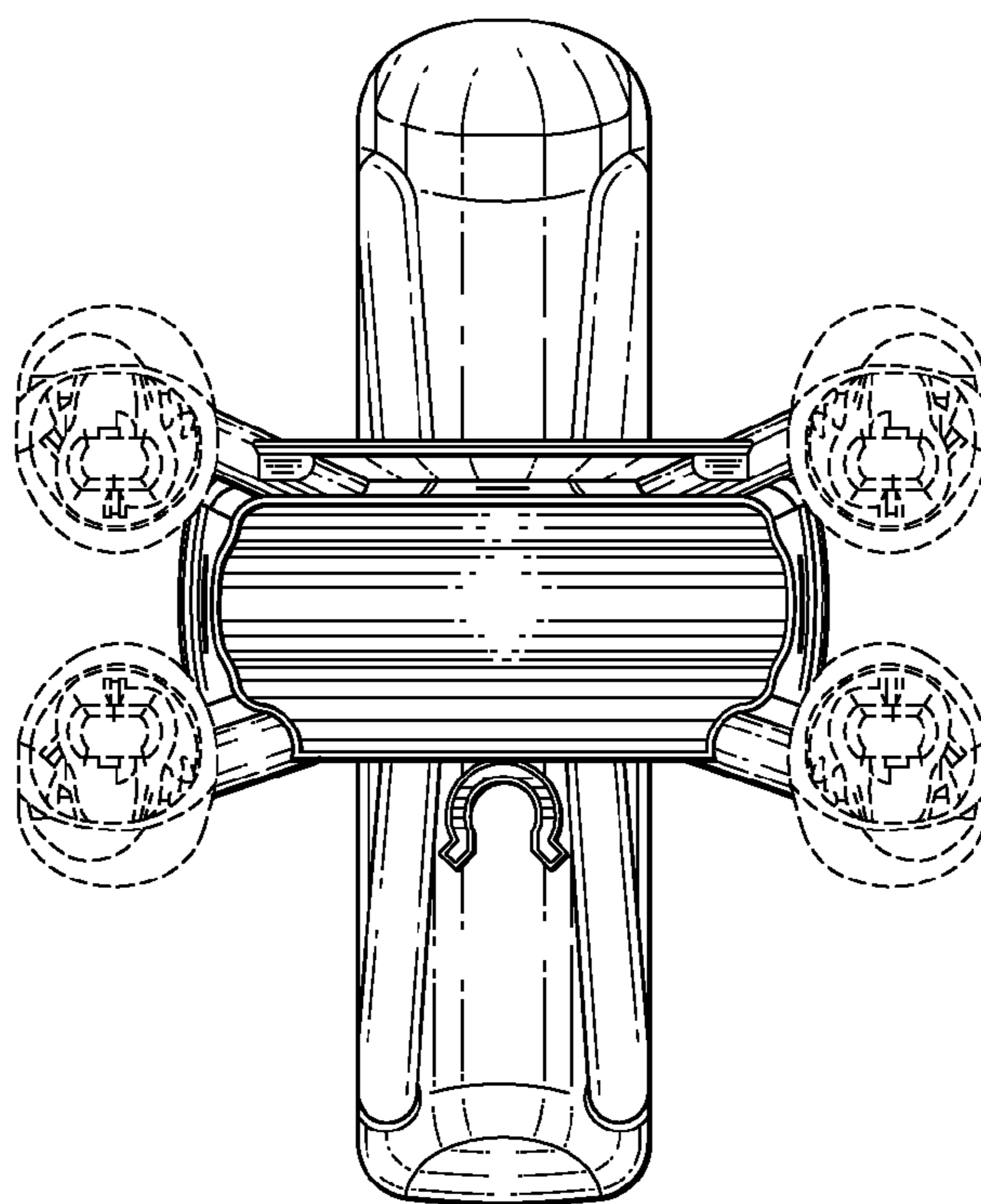


FIG. 7