



US00D671284S

(12) **United States Design Patent**  
**Paterson et al.**

(10) **Patent No.:** **US D671,284 S**

(45) **Date of Patent:** **\*\* Nov. 20, 2012**

(54) **HANDHELD VACUUM ATTACHMENT WITH  
ULTRAVIOLET LIGHT**

(75) Inventors: **Christopher M. Paterson**, Franklin, TN  
(US); **Ernest Matthew Chavana, Jr.**,  
Cookeville, TN (US); **Steven Wayne  
Myers**, Buffalo Valley, TN (US)

(73) Assignee: **Oreck Holdings LLC**, Nashville, TN  
(US)

(\*\*) Term: **14 Years**

(21) Appl. No.: **29/357,163**

(22) Filed: **Mar. 8, 2010**

(51) **LOC (9) Cl.** ..... **15-05**

(52) **U.S. Cl.** ..... **D32/32**

(58) **Field of Classification Search** ..... D32/15-18,  
D32/21-24, 31-34, 38-39; 15/314, 324,  
15/344, 327, 329, 347, 320-321, 340.2, 335,  
15/412, 350, 352-354, 301, 385, 93.1, 405,  
15/330, 415.1, 327.5, 323, 361, 363, 410  
See application file for complete search history.

(56) **References Cited**

U.S. PATENT DOCUMENTS

D253,054 S *	10/1979	Stevens et al.	.....	D32/33
D379,691 S *	6/1997	Moine et al.	.....	D32/18
D440,019 S *	4/2001	Mehaffey et al.	.....	D32/32
D458,719 S *	6/2002	Waldron et al.	.....	D32/33

6,836,931 B2 *	1/2005	Bone	.....	15/352
D520,200 S *	5/2006	Scholles	.....	D32/32
D528,715 S *	9/2006	Carr	.....	D32/18
D555,848 S *	11/2007	DiPasquale et al.	.....	D32/18
D569,563 S *	5/2008	Shin et al.	.....	D32/18
D611,209 S *	3/2010	Shin	.....	D32/18
D613,917 S *	4/2010	Williams et al.	.....	D32/31
D619,772 S *	7/2010	Kaffenberger	.....	D32/32
D649,725 S *	11/2011	Fjellman	.....	D32/32

\* cited by examiner

*Primary Examiner* — Rosemary K Tarca

(74) *Attorney, Agent, or Firm* — Winston & Strawn LLP

(57) **CLAIM**

We claim the ornamental design for a handheld vacuum attachment with ultraviolet light, as shown and described.

**DESCRIPTION**

FIG. 1 is a front profile view of a handheld vacuum attachment with ultraviolet light of our design.

FIG. 2 is a left side view of the embodiment of FIG. 1.

FIG. 3 is a right side view of the embodiment of FIG. 1.

FIG. 4 is a front view of the embodiment of FIG. 1.

FIG. 5 is a rear view of the embodiment of FIG. 1.

FIG. 6 is a top view of the embodiment of FIG. 1; and,

FIG. 7 is a bottom view of the embodiment of FIG. 1.

The broken lines in the Figures are for illustrative purposes only and form no part of the claimed design.

**1 Claim, 6 Drawing Sheets**

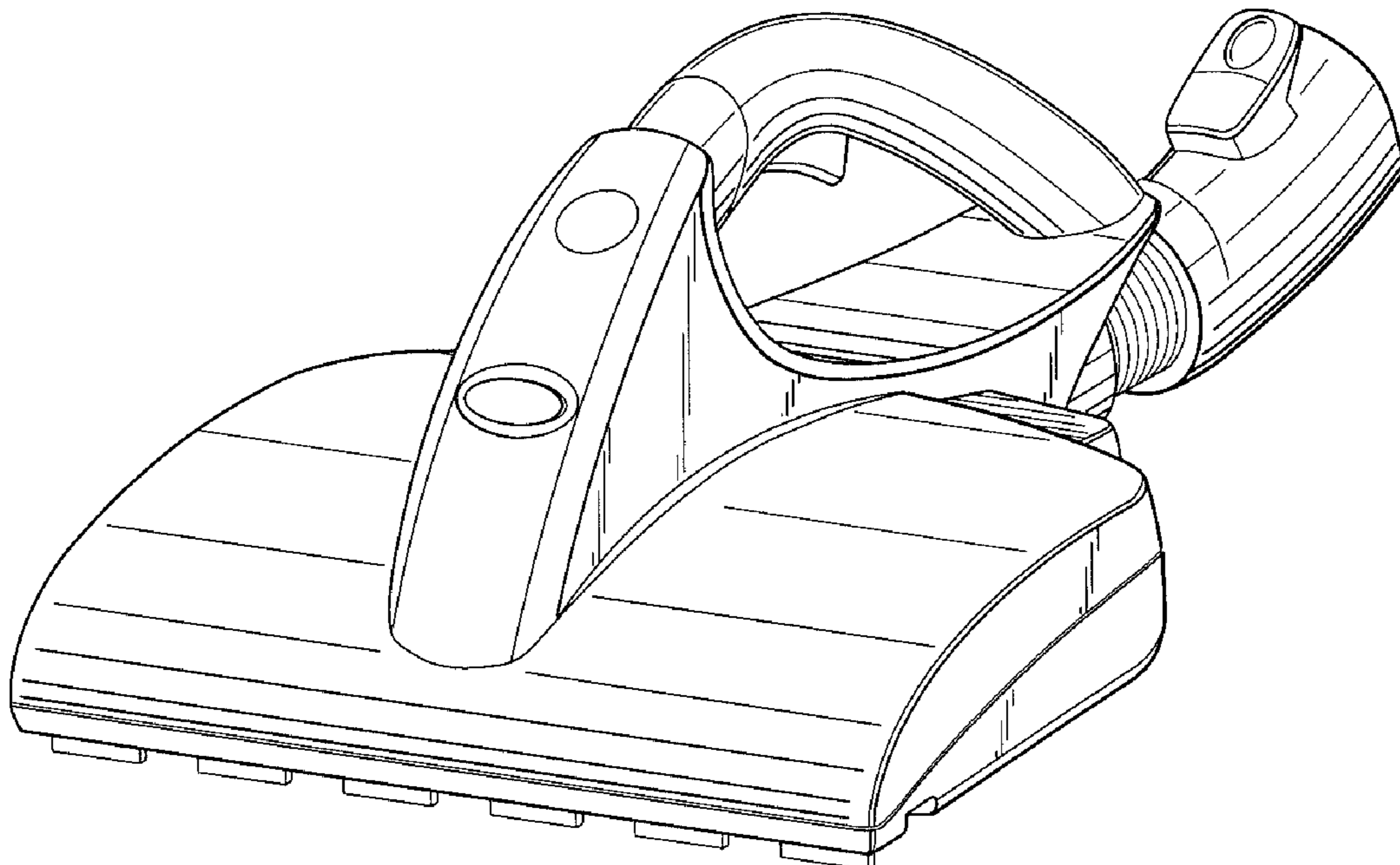


Fig. 1

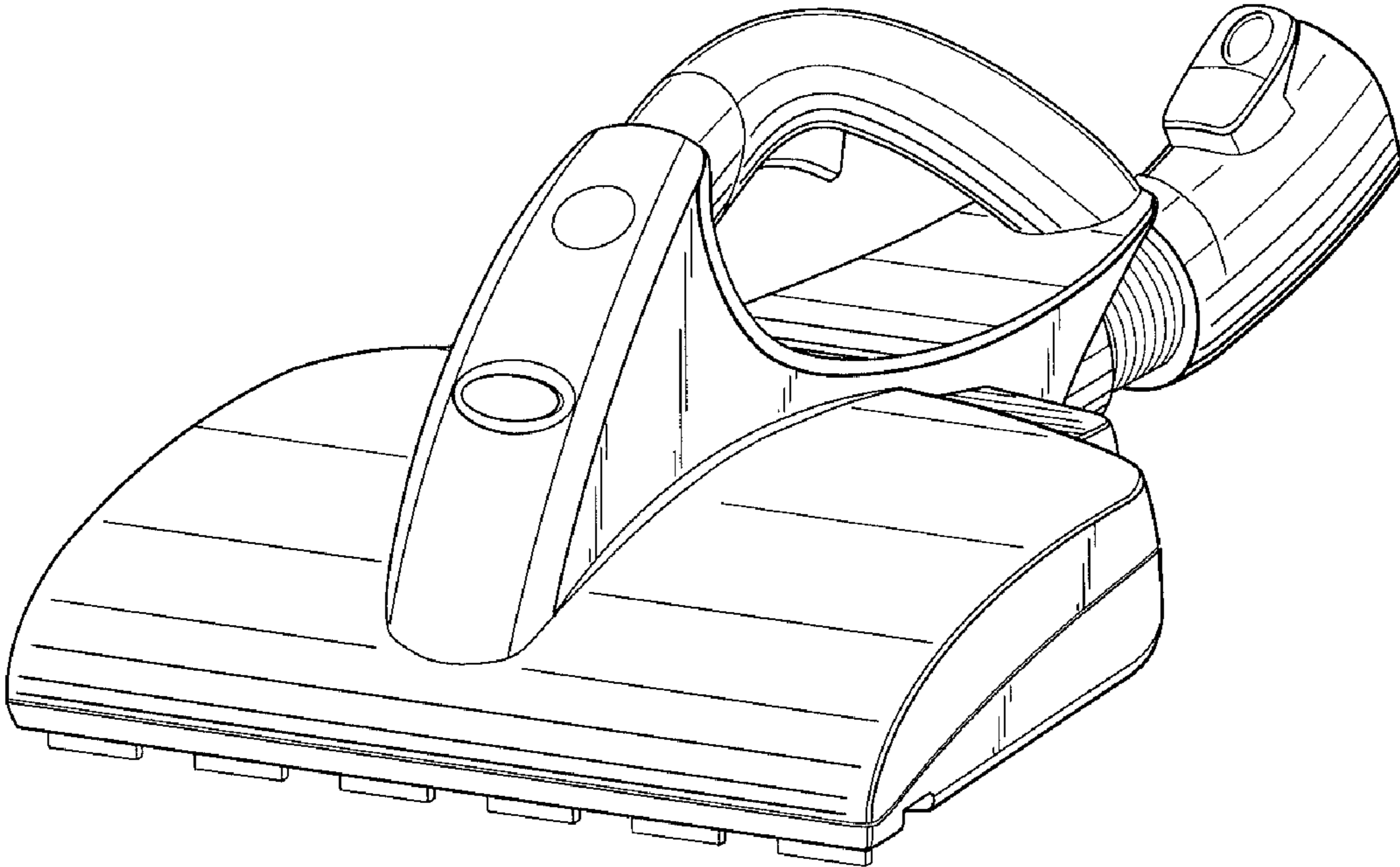


Fig. 2

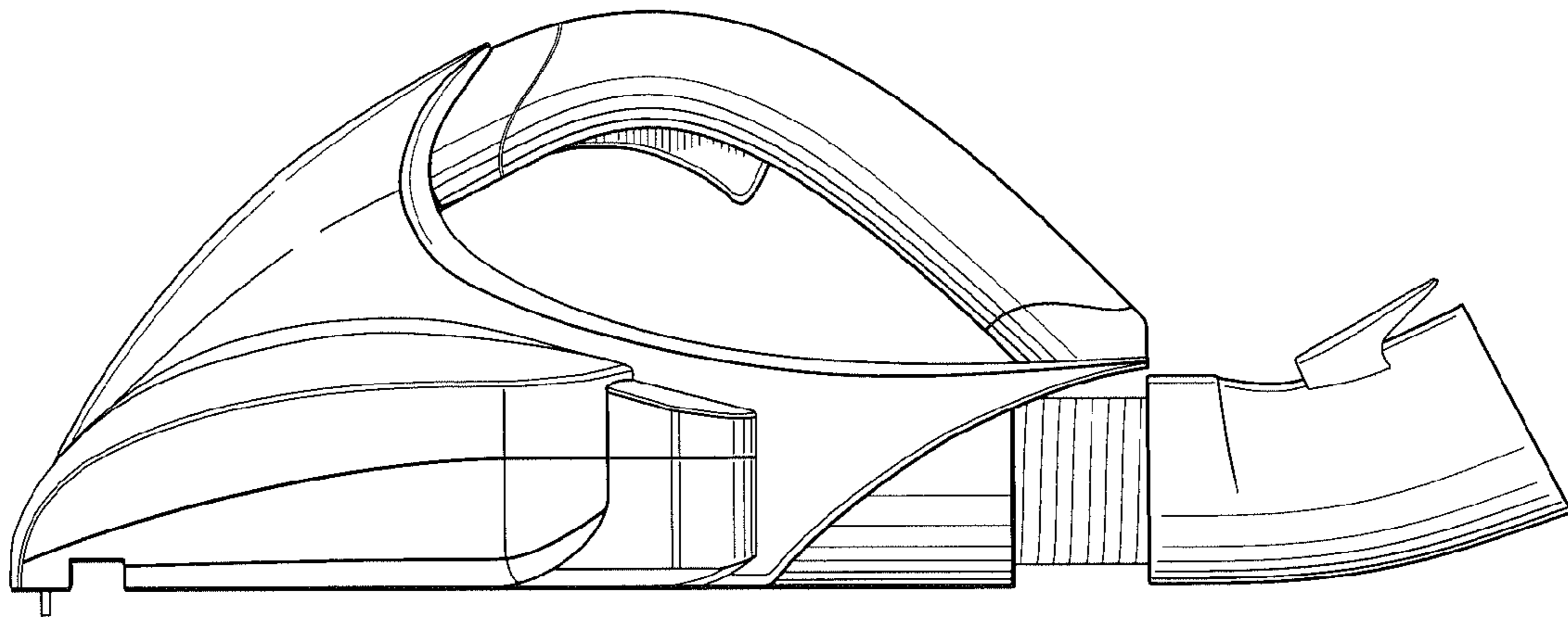


Fig. 3

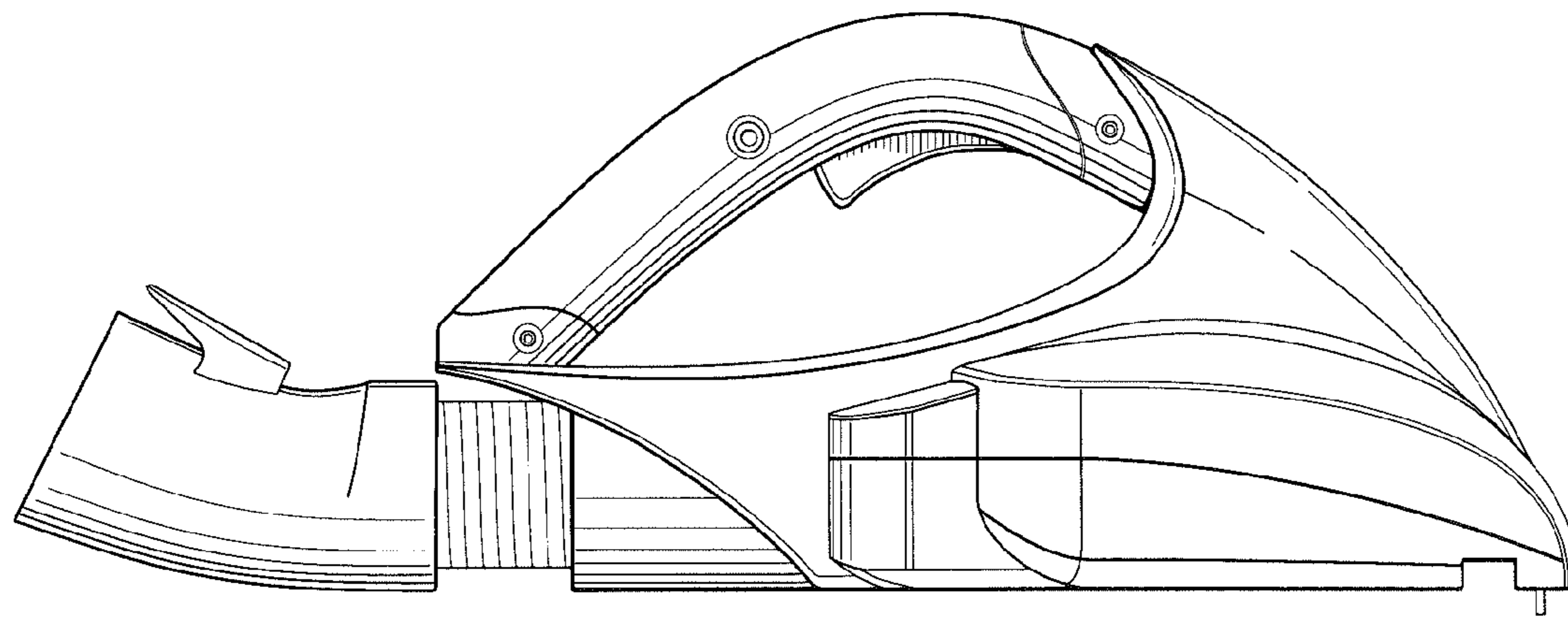


Fig. 5

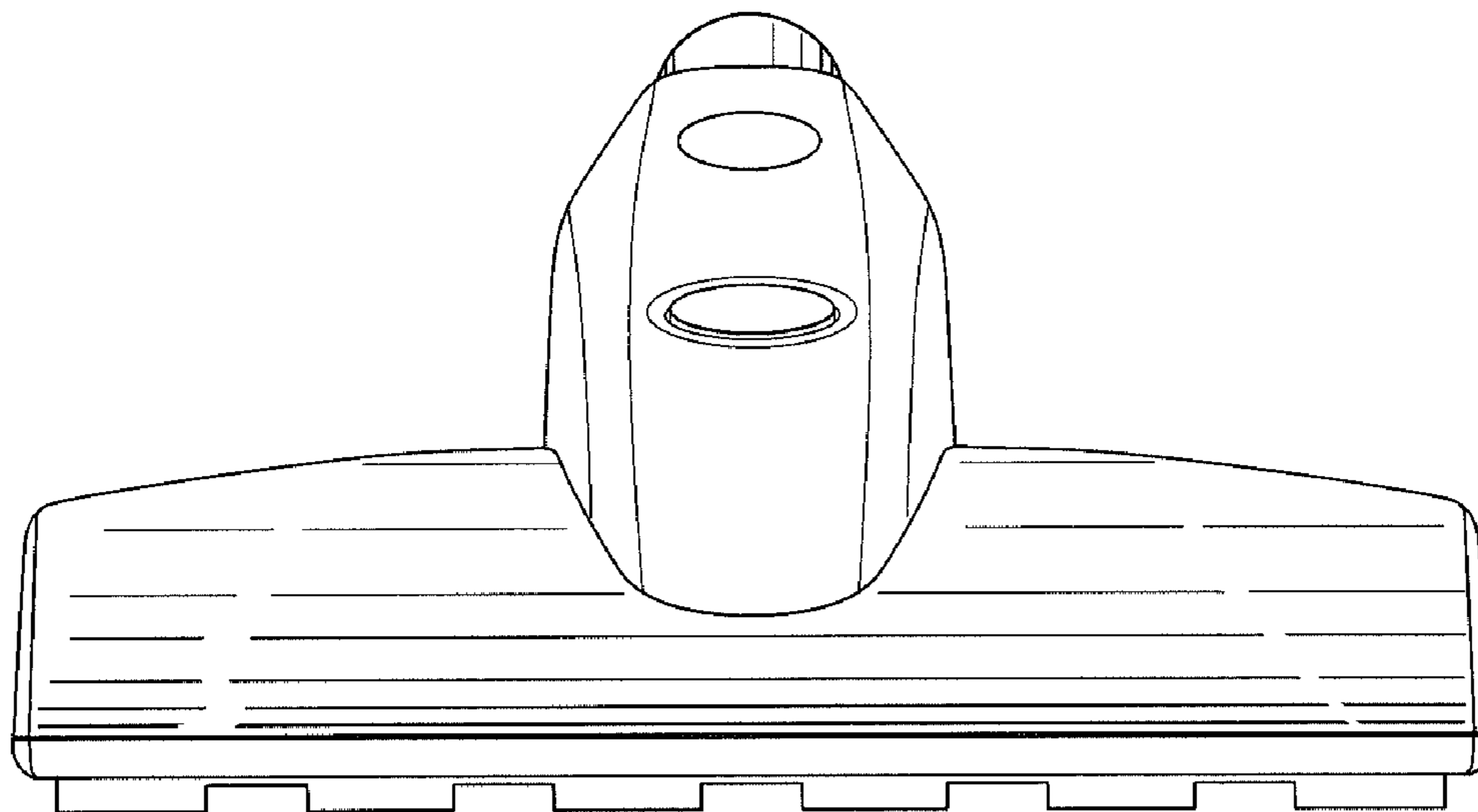


Fig. 4

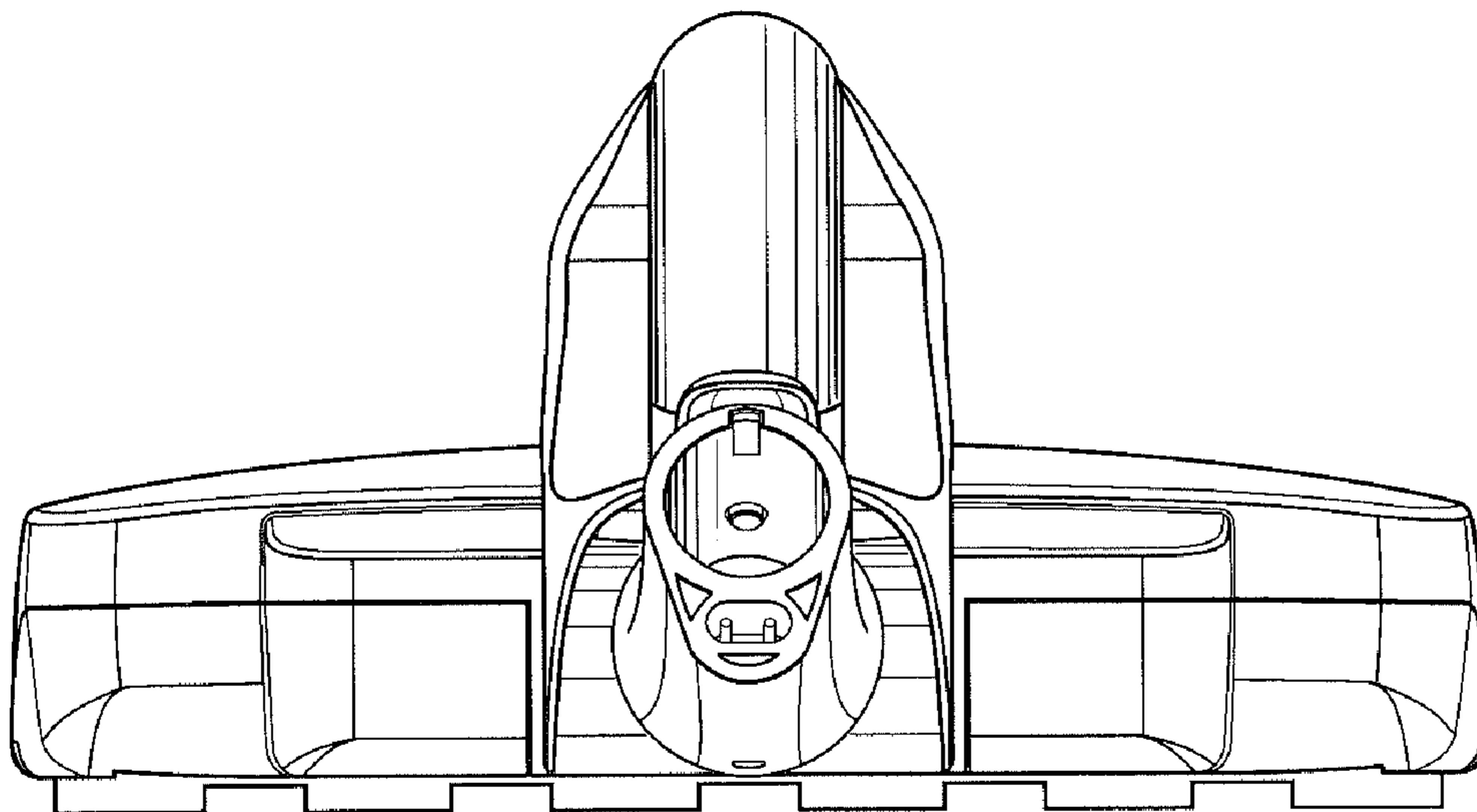


Fig. 6

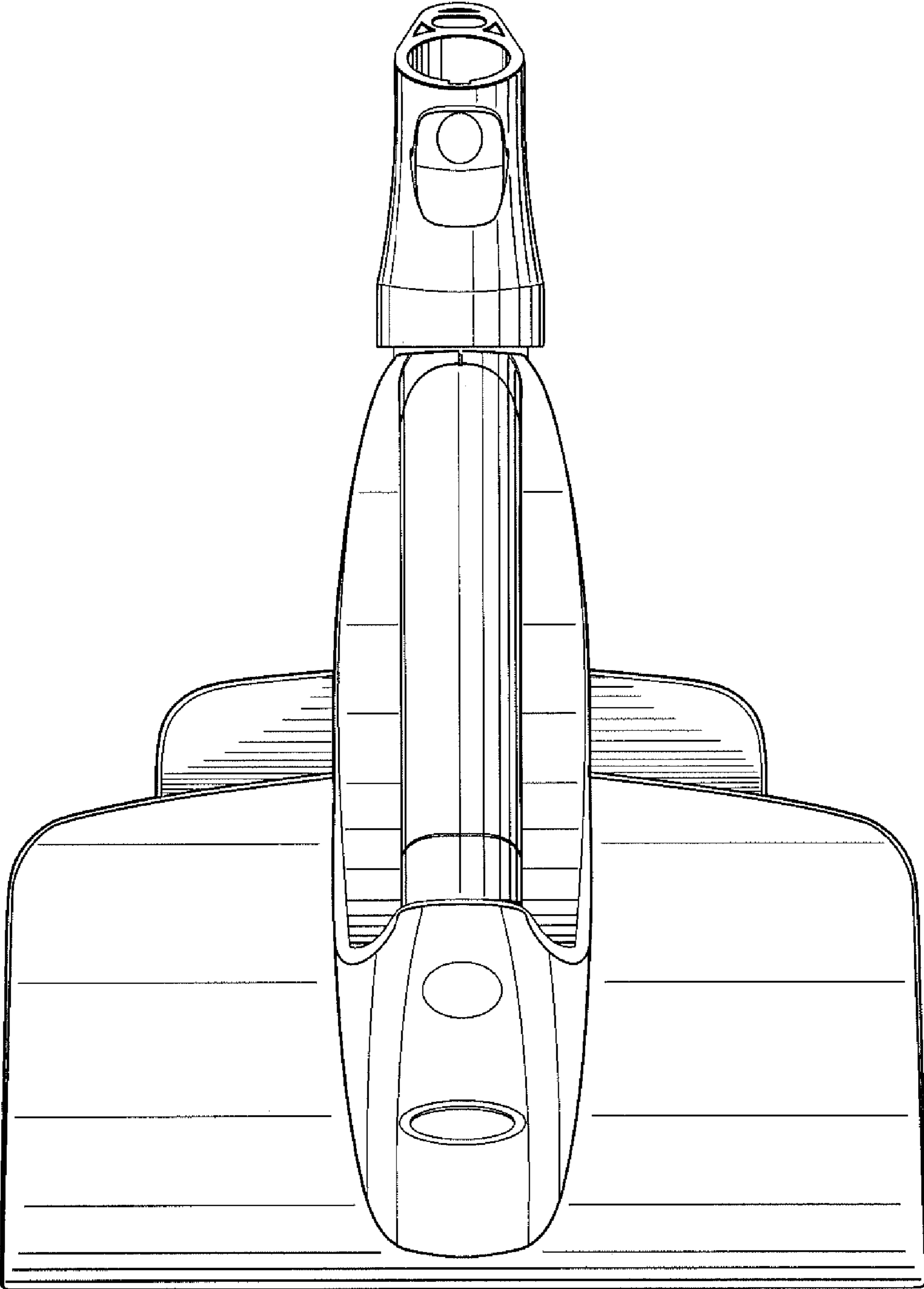


Fig. 7

