



US00D671282S

(12) **United States Design Patent**
Jeon et al.

(10) **Patent No.:** **US D671,282 S**

(45) **Date of Patent:** **** Nov. 20, 2012**

(54) **BODY OF DRY CLEANING MACHINE**

(75) Inventors: **Ho Il Jeon**, Gyeonggi-do (KR); **Ye Ji Um**, Seoul (KR); **Jung Hwan Lee**, Seoul (KR); **Hui Jae Kwon**, Seoul (KR)

(73) Assignee: **LG Electronics Inc.**, Seoul (KR)

(**) Term: **14 Years**

(21) Appl. No.: **29/367,616**

(22) Filed: **Aug. 10, 2010**

(30) **Foreign Application Priority Data**

Feb. 10, 2010 (KR) 30-2010-0005978

(51) **LOC (9) Cl.** **15-05**

(52) **U.S. Cl.** **D32/10**

(58) **Field of Classification Search** D32/1.5-6,
D32/8, 10; 68/3 R, 5 R, 12.01, 12.07-12.08,
68/212; 34/87-88, 523-524, 202, 210, 621;
312/31

See application file for complete search history.

(56) **References Cited**

U.S. PATENT DOCUMENTS

2,741,113	A *	4/1956	Norkus	68/205 R
D191,951	S *	12/1961	Beduhn	D32/10
3,049,903	A *	8/1962	Sussman	68/5 C
D194,432	S *	1/1963	Brucken	D32/5
3,102,796	A *	9/1963	Erickson	34/75
D197,085	S *	12/1963	Bequette et al.	D32/8
3,739,496	A *	6/1973	Buckley et al.	34/210
4,180,919	A *	1/1980	Baltes	34/449
4,682,424	A *	7/1987	Irving	34/621
5,555,640	A *	9/1996	Ou	34/202
5,755,040	A *	5/1998	Ou	34/202
5,815,961	A *	10/1998	Estes et al.	38/14
6,018,885	A *	2/2000	Hill	34/202
6,427,365	B2 *	8/2002	MacGregor et al.	38/1 A
D476,782	S *	7/2003	Huddleston	D32/6
D532,563	S *	11/2006	Kim et al.	D32/6
7,367,137	B2 *	5/2008	Jonsson et al.	34/265

D622,456	S *	8/2010	Kim et al.	D32/8
D638,592	S *	5/2011	Suh	D32/8
D640,430	S *	6/2011	Jee	D32/6
D643,165	S *	8/2011	Song et al.	D32/8
2004/0134087	A1 *	7/2004	Meyer	34/90
2007/0151302	A1 *	7/2007	Kendall et al.	68/3 R
2007/0266740	A9 *	11/2007	Kendall et al.	68/3 R
2008/0136295	A1 *	6/2008	Borda et al.	312/31

* cited by examiner

Primary Examiner — T. Chase Nelson

Assistant Examiner — Kathleen M Sims

(74) *Attorney, Agent, or Firm* — Birch, Stewart, Kolasch & Birch, LLP

(57) **CLAIM**

The ornamental design for a body of dry cleaning machine, as shown and described.

DESCRIPTION

FIG. 1 is a perspective view of a body of dry cleaning machine showing our new design;

FIG. 2 is a front view thereof;

FIG. 3 is a rear view thereof;

FIG. 4 is a left side view thereof;

FIG. 5 is a right side view thereof;

FIG. 6 is a top plan view thereof;

FIG. 7 is a bottom plan view thereof;

FIG. 8 is a perspective view thereof with the addition of a partial view of interior clothes hangers in broken lines and the addition of a door shown in broken lines;

FIG. 9 is a front view of FIG. 8;

FIG. 10 is a perspective view thereof shown during operation with the door closed and interior light lit; and,

FIG. 11 is a cross-sectional view along line 11-11 of FIG. 8 showing the interior side thereof, and with the lower pull out drawer removed.

The broken line showing of interior details in FIGS. 8-11 and a door in FIGS. 8-10 is included for the purpose of showing environmental portions of the body of dry cleaning machine and forms no part of the claimed design.

1 Claim, 11 Drawing Sheets

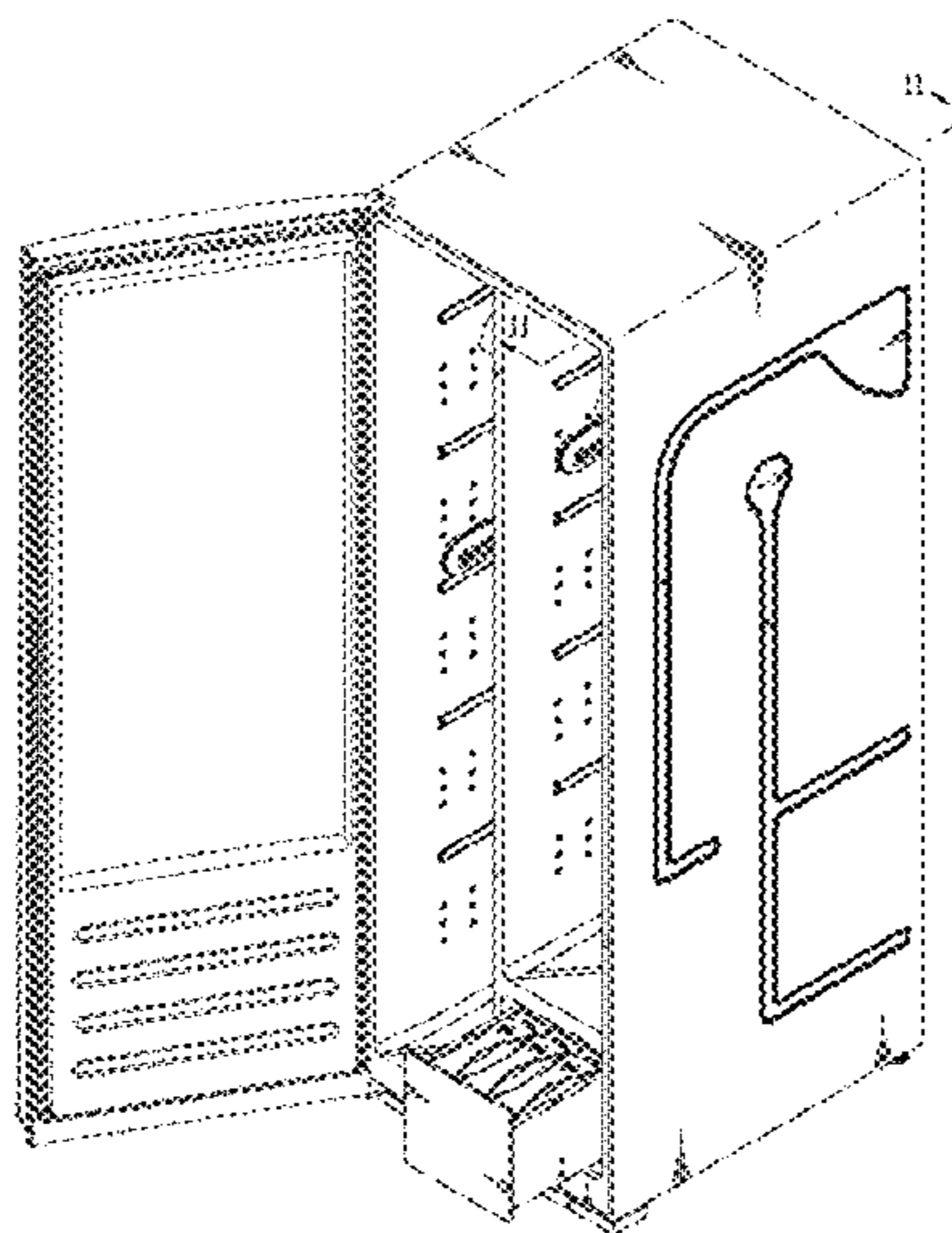


FIG. 1

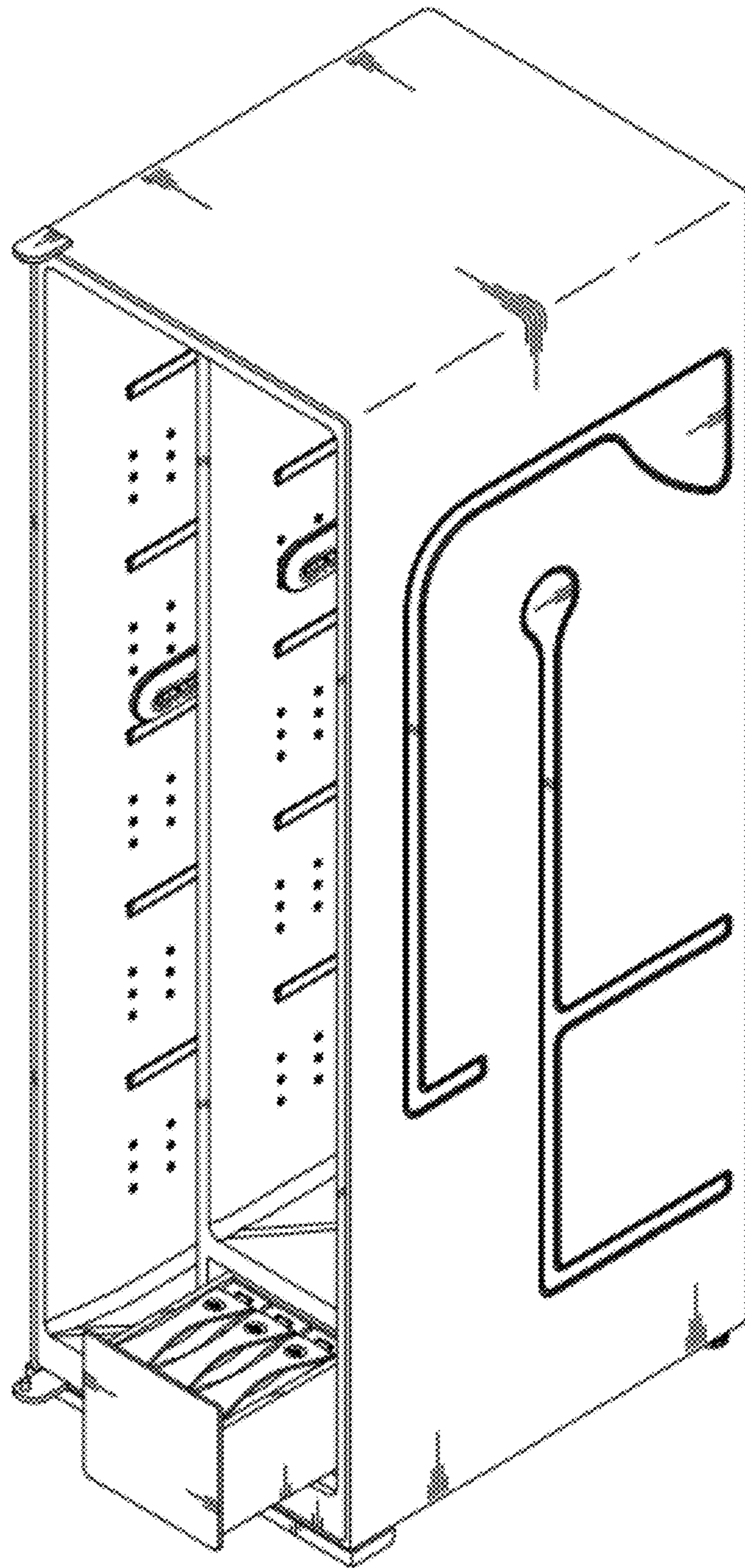


FIG. 2

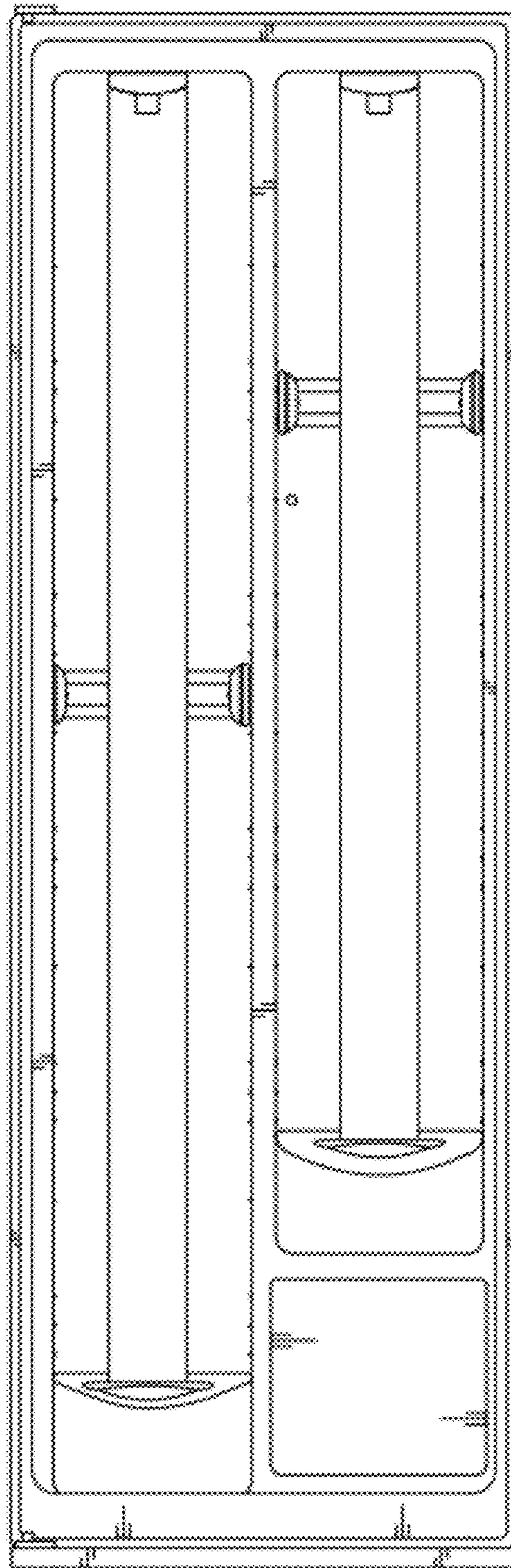


FIG. 3

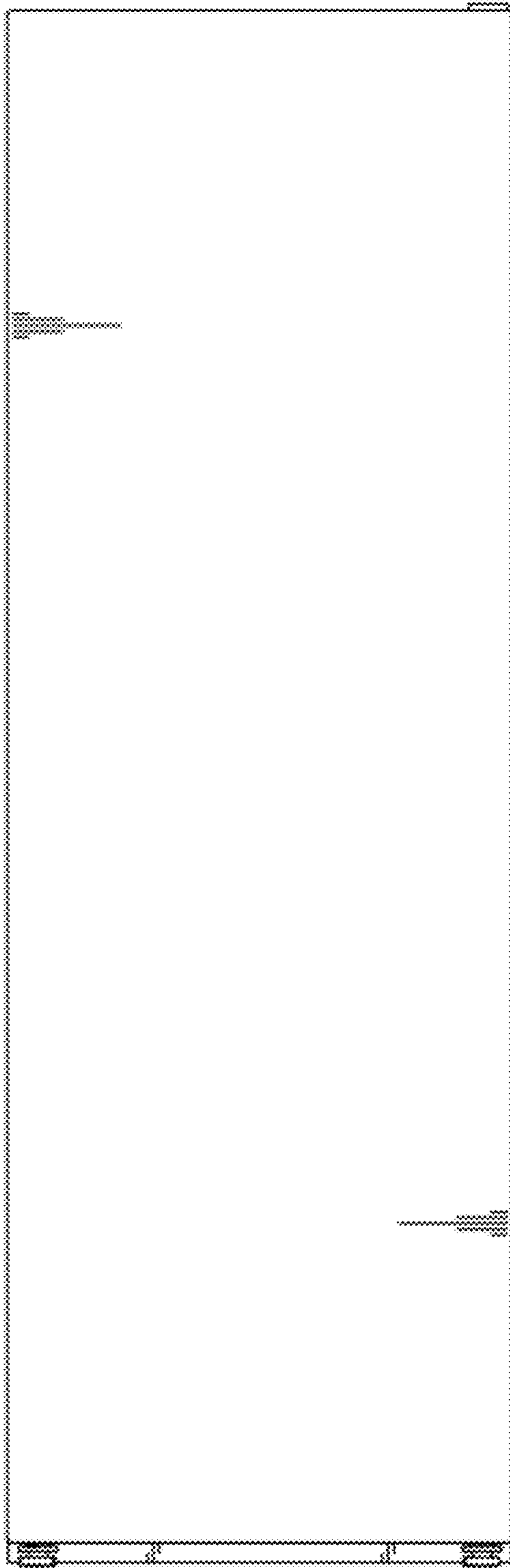


FIG. 4

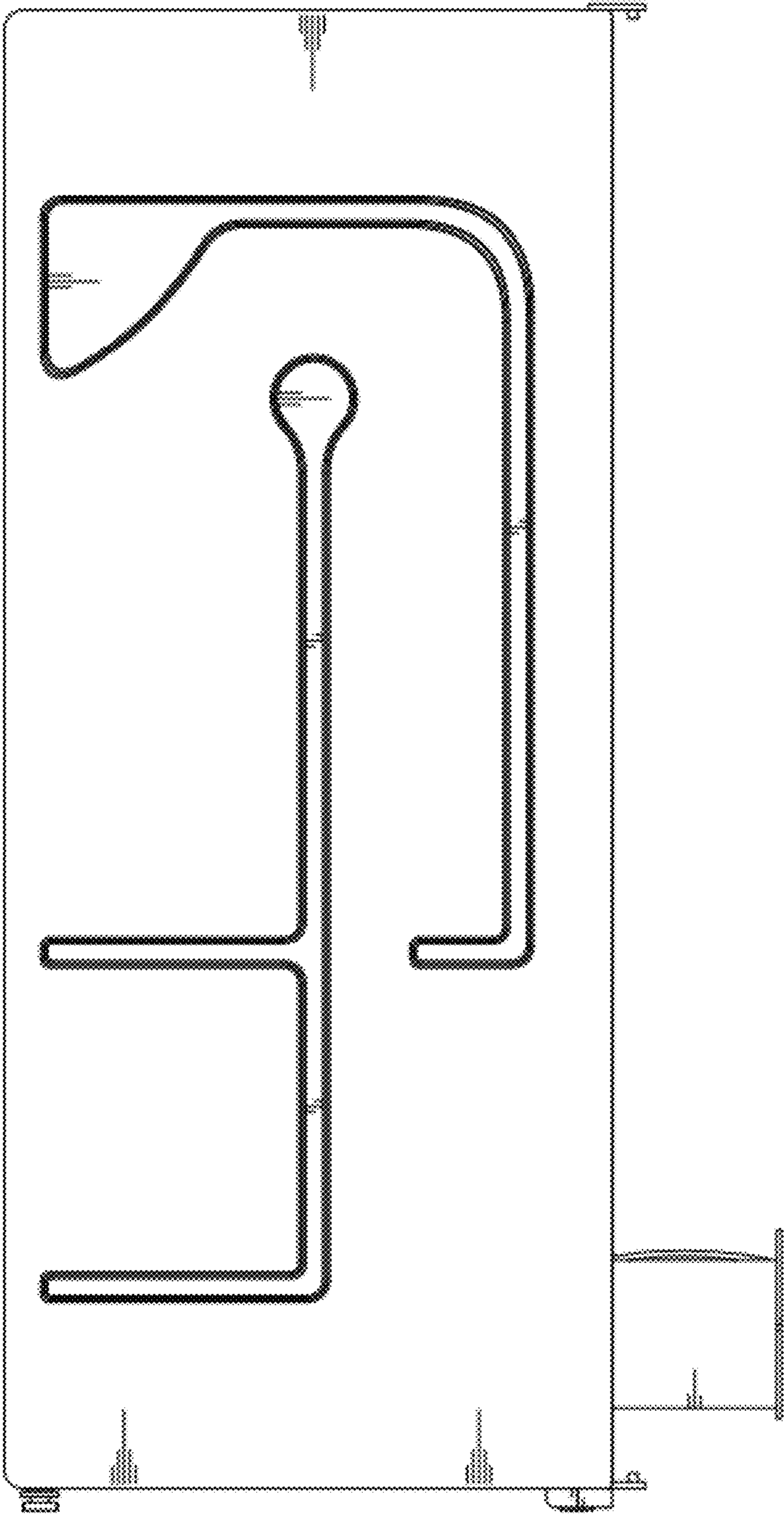


FIG. 5

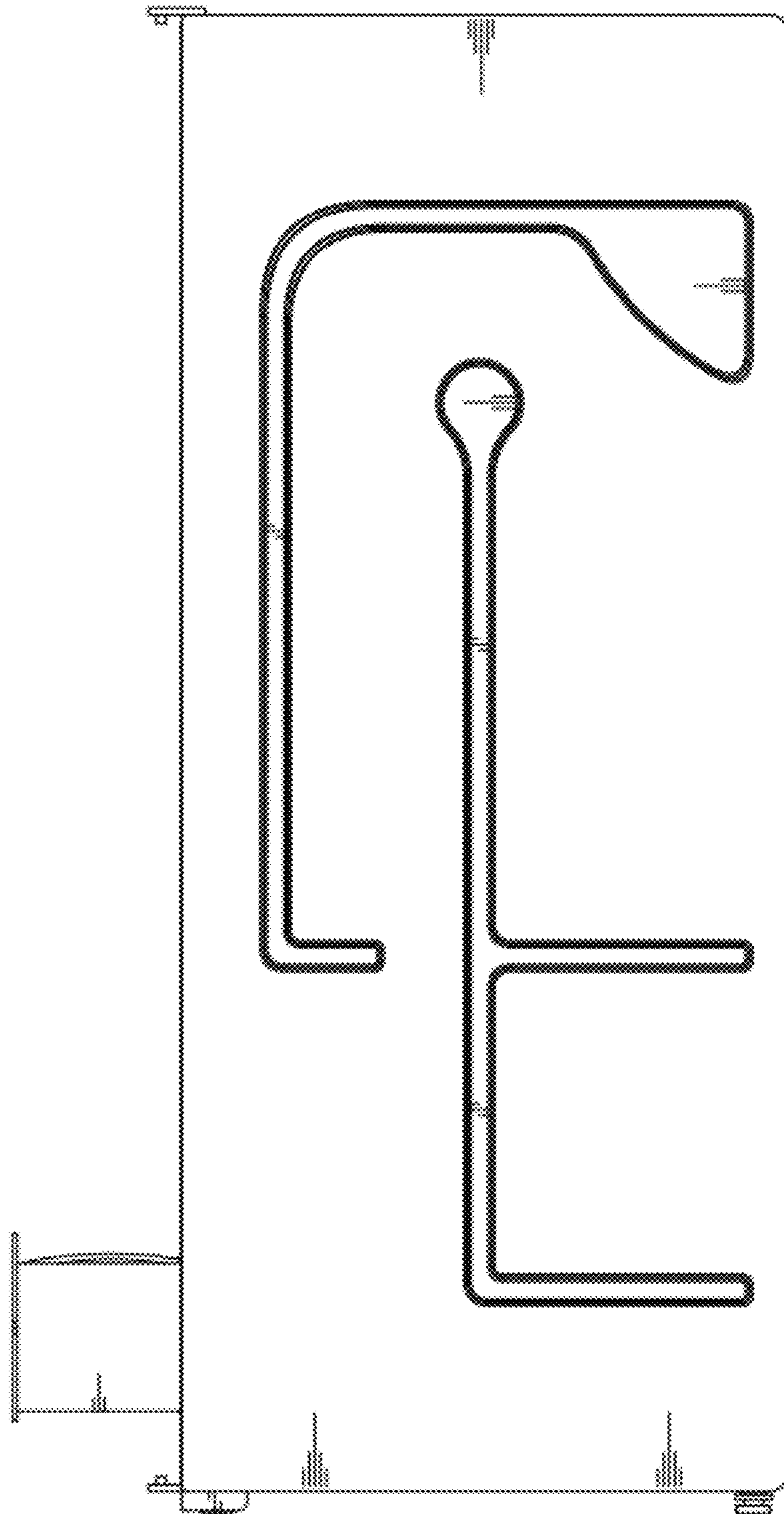


FIG. 6

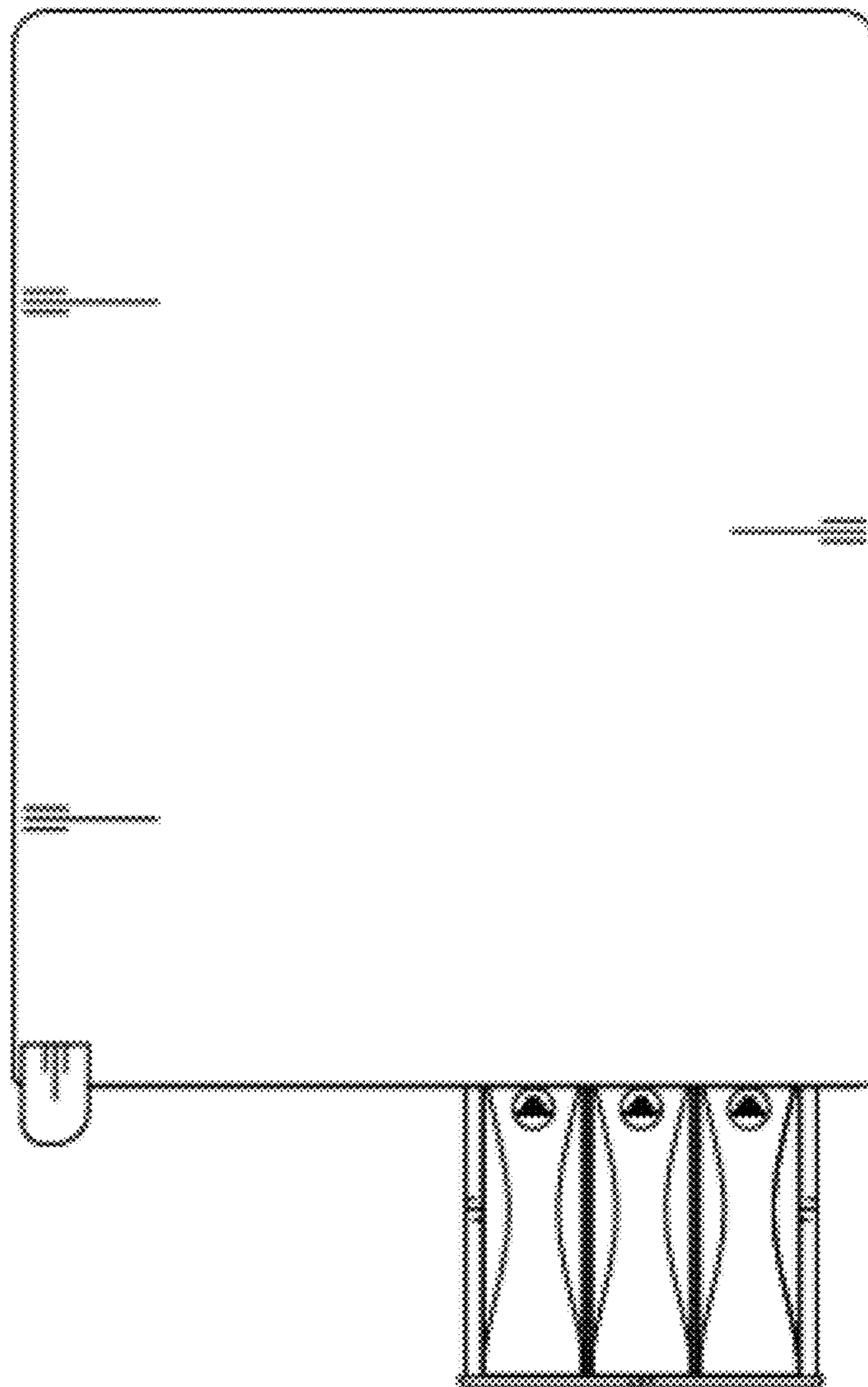


FIG. 7

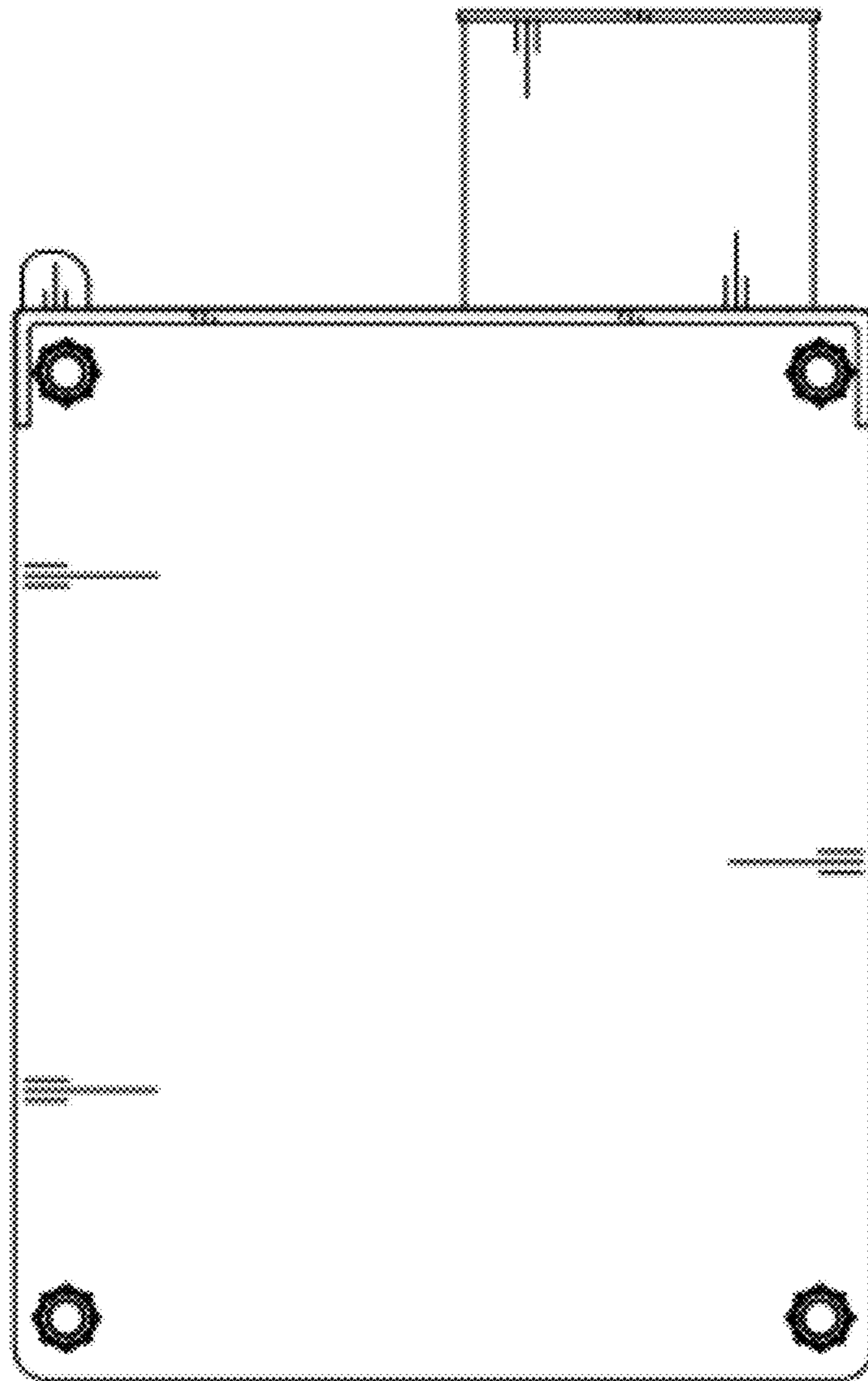


FIG. 8

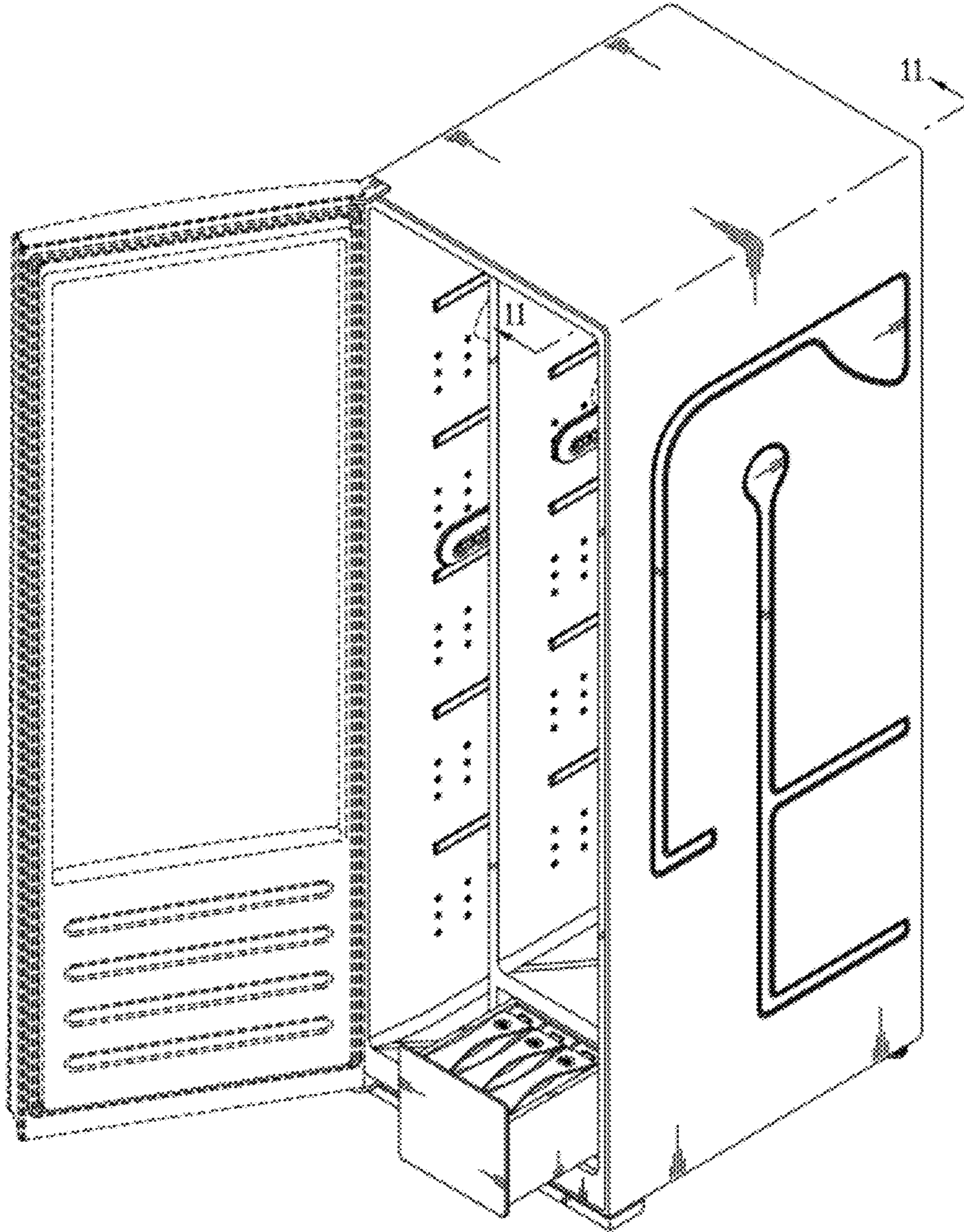


FIG. 9

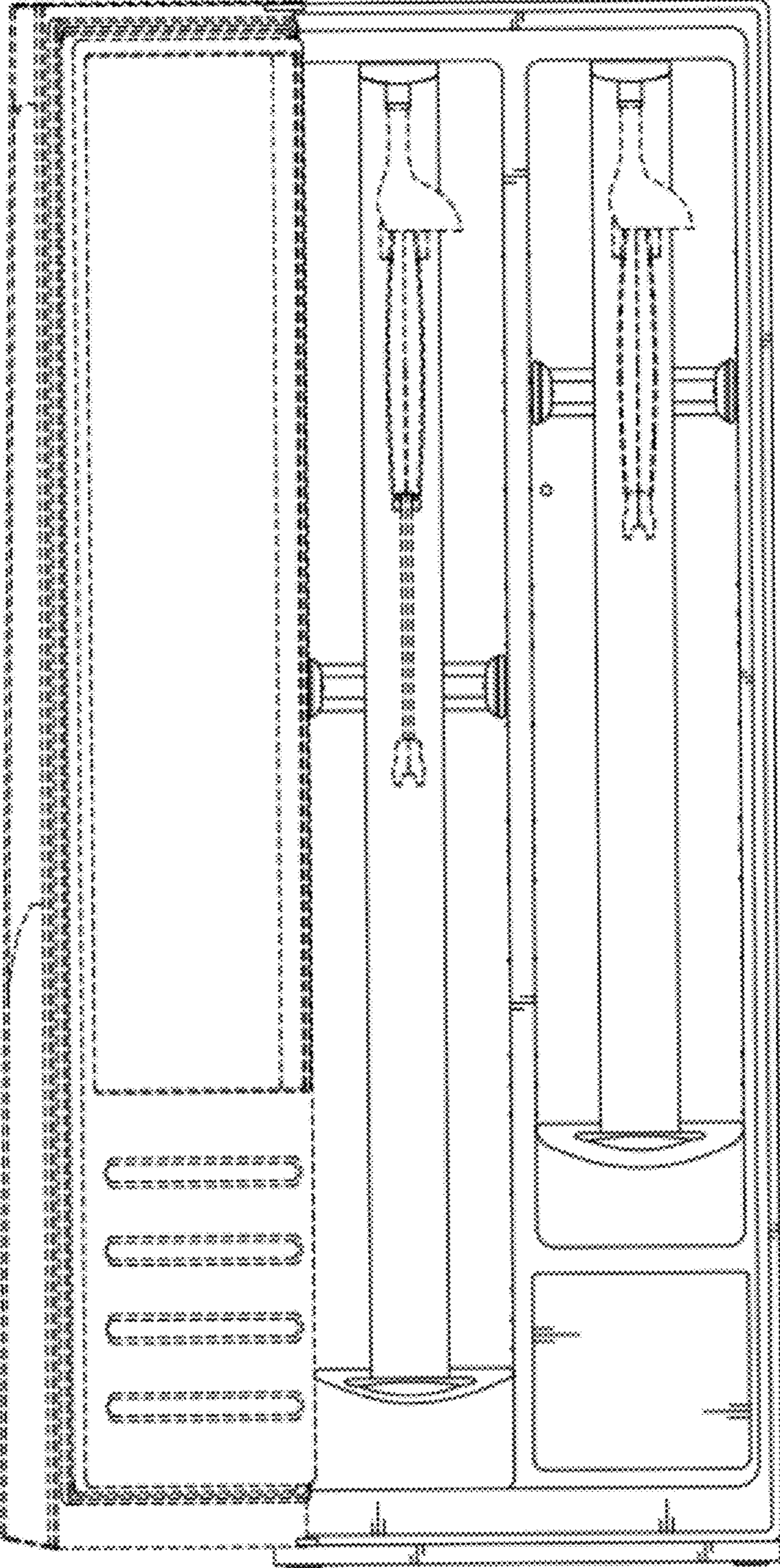


FIG. 10

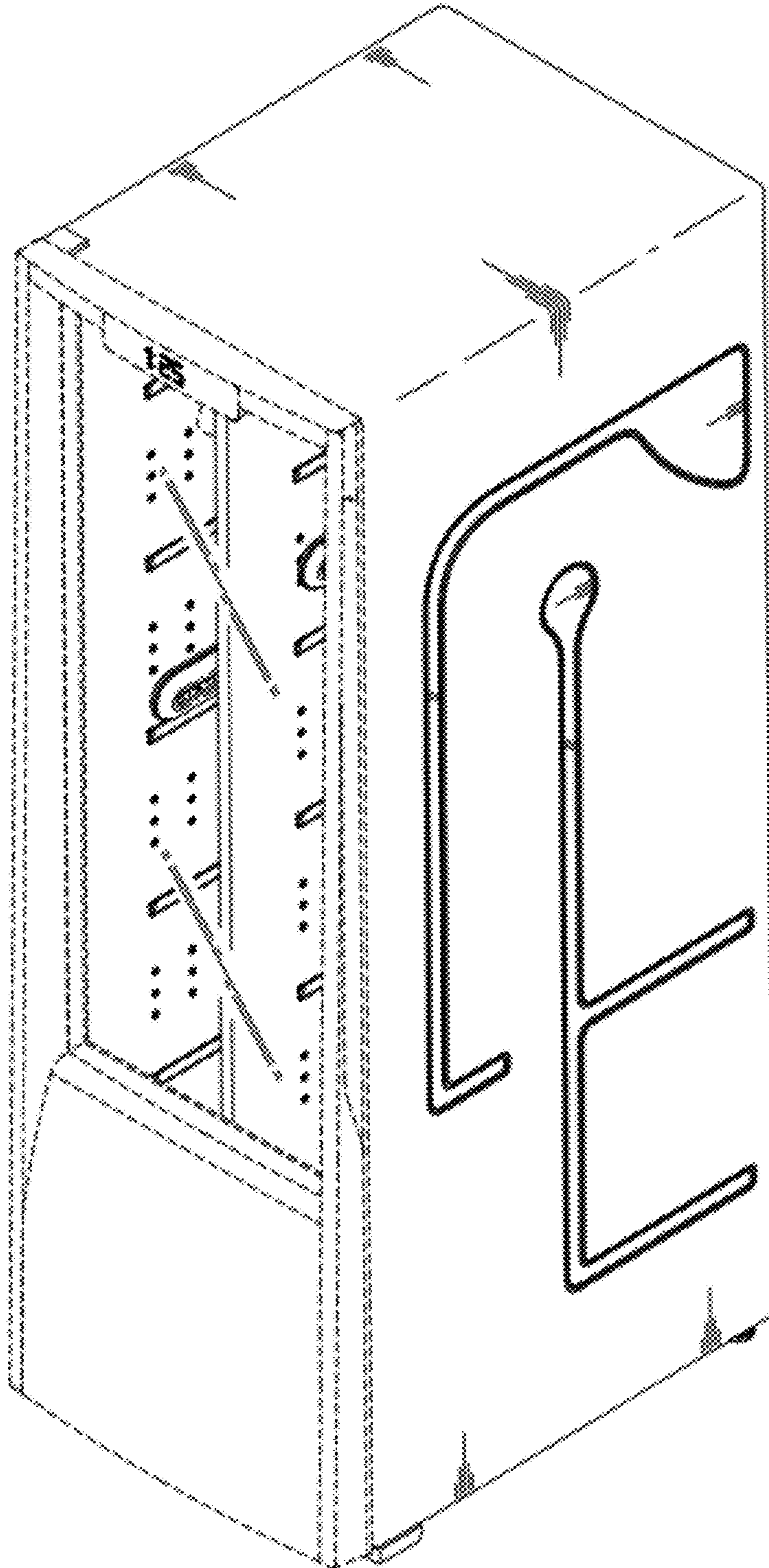


FIG. 11

