



US00D671277S

(12) **United States Design Patent**
Vosbikian et al.

(10) **Patent No.:** **US D671,277 S**

(45) **Date of Patent:** **** Nov. 20, 2012**

(54) **HANGING BIRD FEEDER**

(75) Inventors: **Peter S. Vosbikian**, Moorestown, NJ
(US); **Robert Petner**, Burlington, NJ
(US)

(73) Assignee: **Zenith Innovation, LLC**, Delran, NJ
(US)

(**) Term: **14 Years**

(21) Appl. No.: **29/428,629**

(22) Filed: **Aug. 1, 2012**

(51) **LOC (9) Cl.** **30-03**

(52) **U.S. Cl.** **D30/127**

(58) **Field of Classification Search** D30/121,
D30/124, 126–129, 133, 199, 110–112, 123,
D30/125; 119/52.2, 51.5, 61.5, 57.8, 57.9,
119/52.3, 61.1, 531, 63, 428–435, 52.4, 55,
119/61.3, 69.5, 75, 76; 47/67, 83; 248/318;
D11/164, 152; 211/128.1; D27/123; D6/495,
D6/460, 461, 476, 405

See application file for complete search history.

(56) **References Cited**

U.S. PATENT DOCUMENTS

2,298,398	A *	10/1942	Marshaus	119/51.5
D170,150	S *	8/1953	Cowap	D30/128
D174,139	S *	3/1955	Sadler	D30/128
2,891,508	A *	6/1959	Bower	119/52.3
3,090,354	A *	5/1963	Merritt et al.	119/52.4
3,734,061	A *	5/1973	Kraus	119/52.2
D289,210	S *	4/1987	Tucker et al.	D30/125
D289,211	S *	4/1987	Riha	D30/125
4,896,628	A *	1/1990	Kadunce	119/52.2
4,986,219	A *	1/1991	Harris	119/57.8
D335,006	S *	4/1993	Blasbalg	D30/127
D360,495	S *	7/1995	Sanderson	D30/123
D386,835	S *	11/1997	Passamare	D30/124
5,711,247	A *	1/1998	Henshaw	119/57.8
D428,537	S *	7/2000	Miller	D30/124
6,253,706	B1 *	7/2001	Sloop	119/57.9

6,401,658	B1 *	6/2002	Teets	119/57.9
D485,930	S *	1/2004	Chen	D26/67
D504,746	S *	5/2005	Lee	D30/124
7,017,517	B2 *	3/2006	Paquette	119/51.01
7,234,416	B2 *	6/2007	Hoff	119/57.9
7,409,922	B1 *	8/2008	Baynard et al.	119/52.3
7,530,330	B1 *	5/2009	Valle	119/69.5
D609,864	S *	2/2010	Tsai	D30/127
D611,662	S *	3/2010	Vosbikian	D30/128
7,735,453	B2 *	6/2010	Vosbikian	119/52.2
D623,805	S *	9/2010	Vosbikian	D30/127
7,798,099	B2 *	9/2010	Vosbikian	119/52.3
7,930,995	B2 *	4/2011	Vosbikian	119/57.8
D638,588	S *	5/2011	Vosbikian	D30/127
8,006,642	B2 *	8/2011	Vosbikian	119/52.2
D649,302	S *	11/2011	Hickok	D30/127
2005/0005862	A1 *	1/2005	Paquette	119/51.01

(Continued)

Primary Examiner — Susan Moon Lee

(74) *Attorney, Agent, or Firm* — Stuart M. Goldstein

(57) **CLAIM**

The ornamental design for a hanging bird feeder, as shown and described.

DESCRIPTION

FIG. 1 is a perspective view of the hanging bird feeder of the present invention.

FIG. 2 is the front view of the hanging bird feeder of the present invention.

FIG. 3 is the rear view of the hanging bird feeder of the present invention.

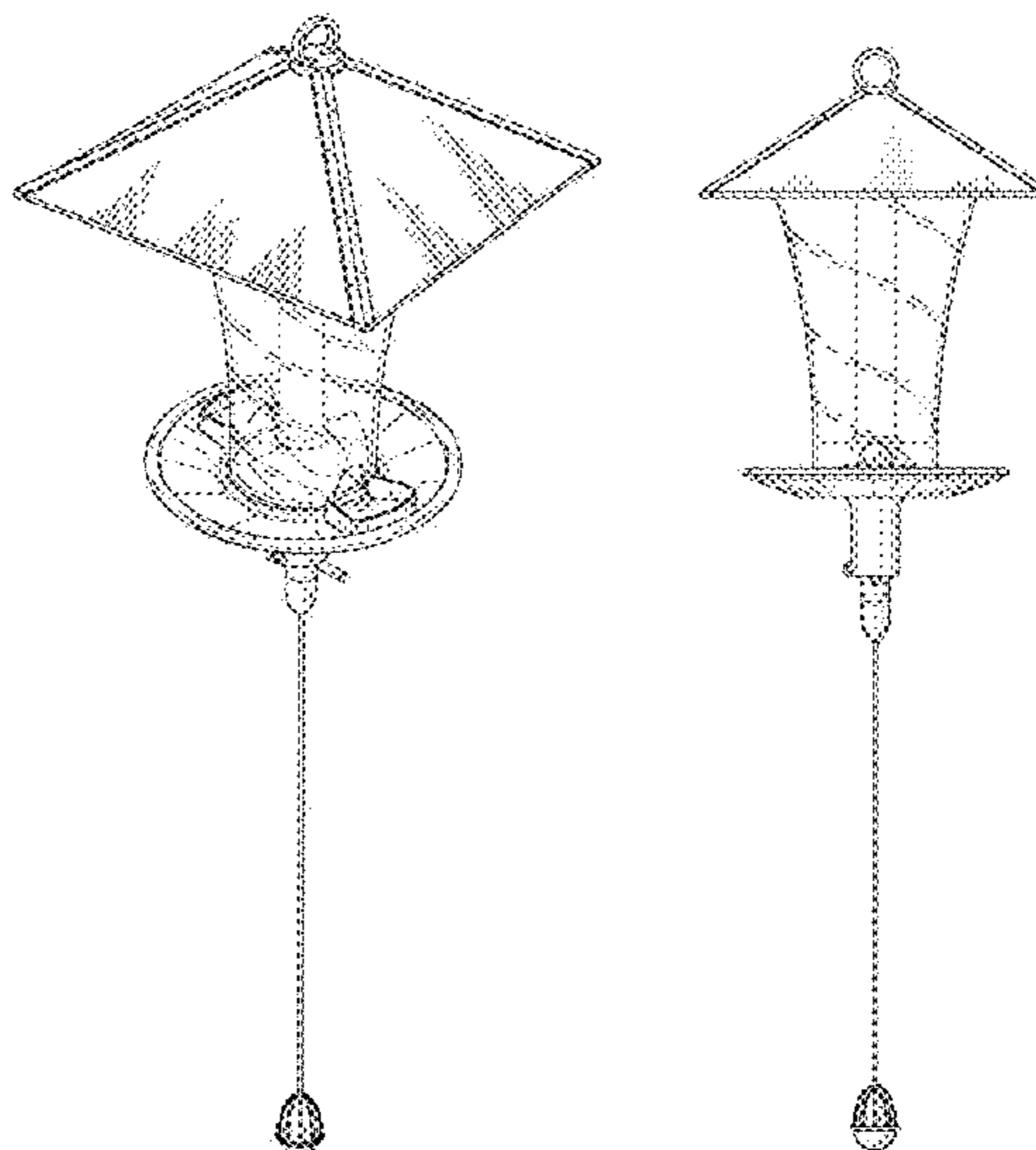
FIG. 4 is the elevation view of the hanging bird feeder of the present invention.

FIG. 5 is the opposite elevation view of the hanging bird feeder of the present invention.

FIG. 6 is the top view of the hanging bird feeder of the present invention; and,

FIG. 7 is the bottom view of the hanging bird feeder of the present invention.

1 Claim, 4 Drawing Sheets



US D671,277 S

Page 2

U.S. PATENT DOCUMENTS

2006/0225658	A1*	10/2006	Baynard	119/57.8	2010/0031890	A1*	2/2010	Vosbikian	119/52.4
2008/0127902	A1*	6/2008	Bent et al.	119/52.3	2010/0258054	A1*	10/2010	Frazier	119/52.2
2008/0302304	A1*	12/2008	Mayfield	119/51.01	2011/0067637	A1*	3/2011	Baynard	119/57.9
2009/0260576	A1*	10/2009	Vosbikian	119/52.2						

* cited by examiner

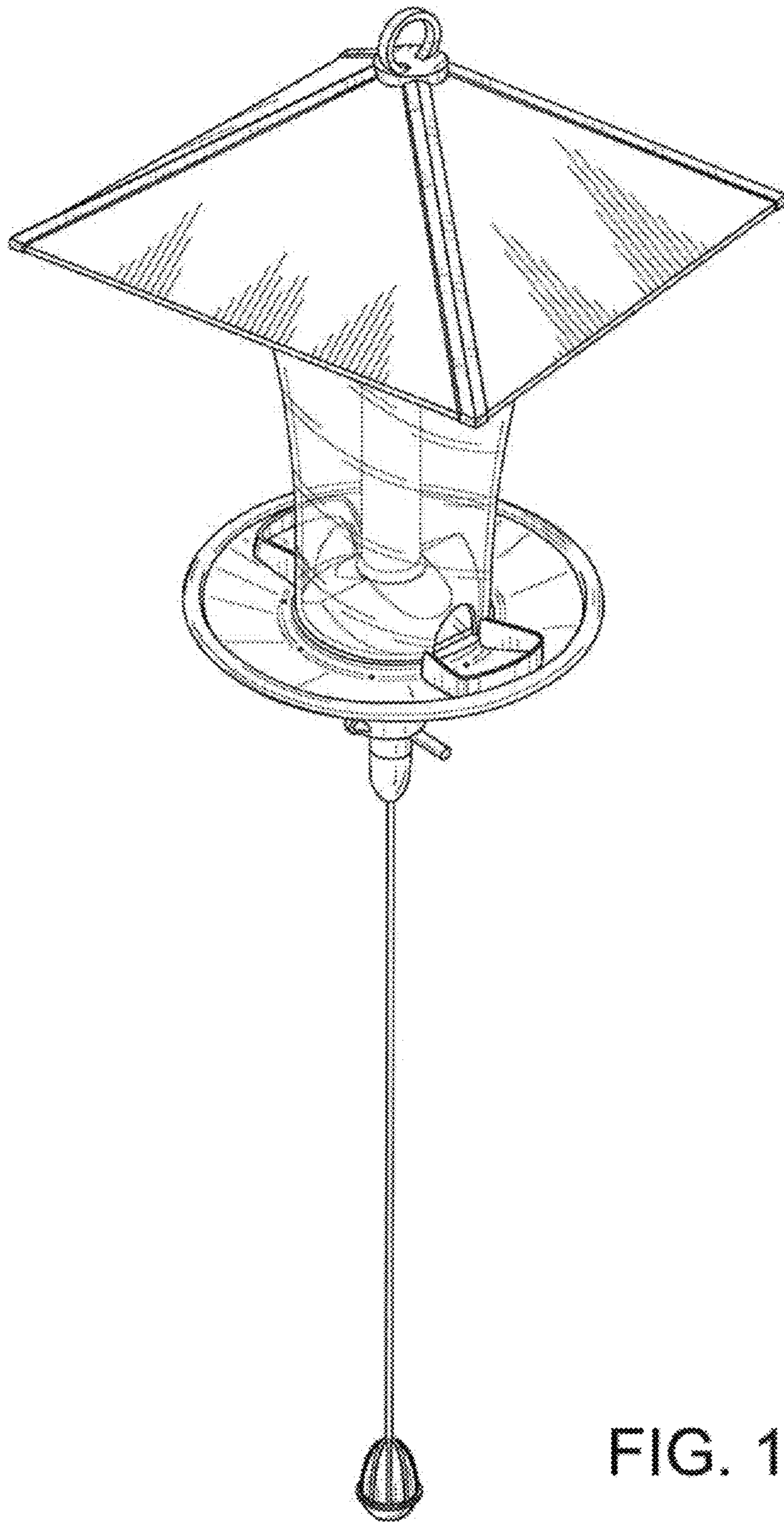


FIG. 1

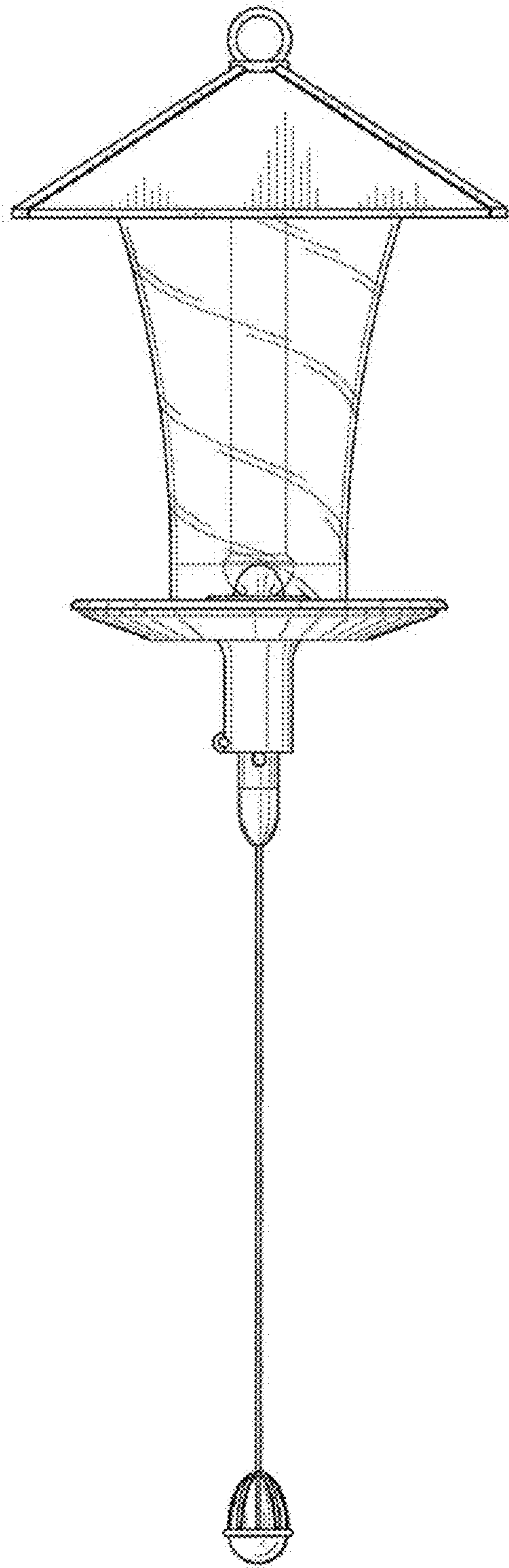


FIG. 2

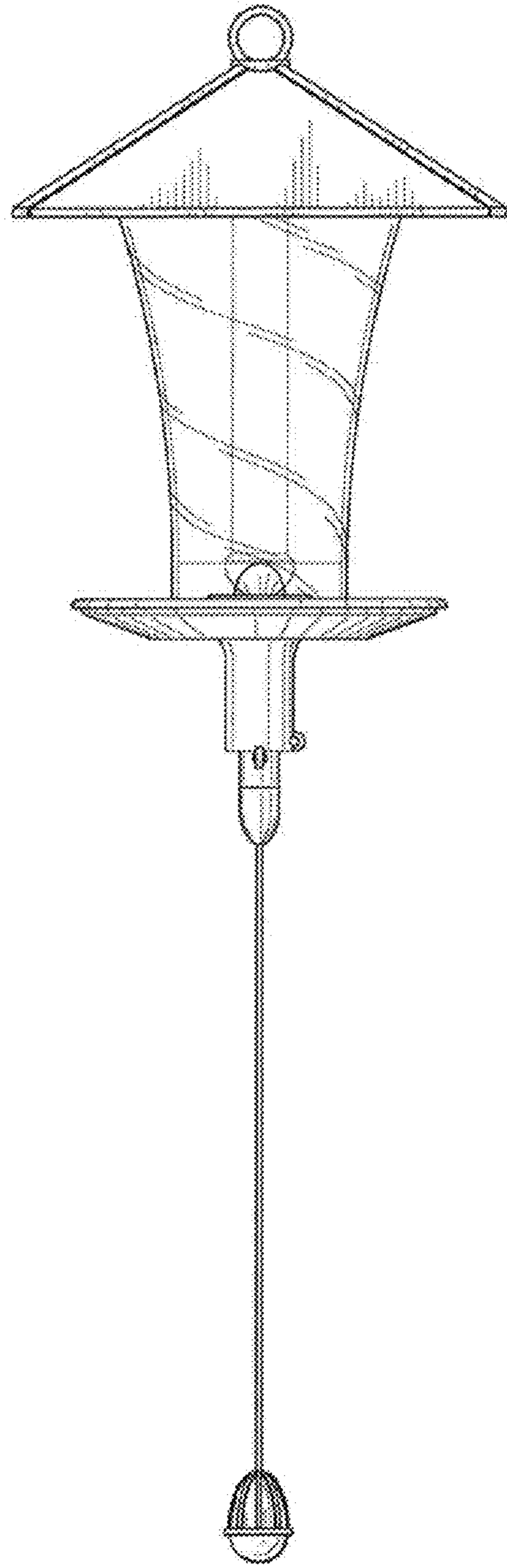


FIG. 3

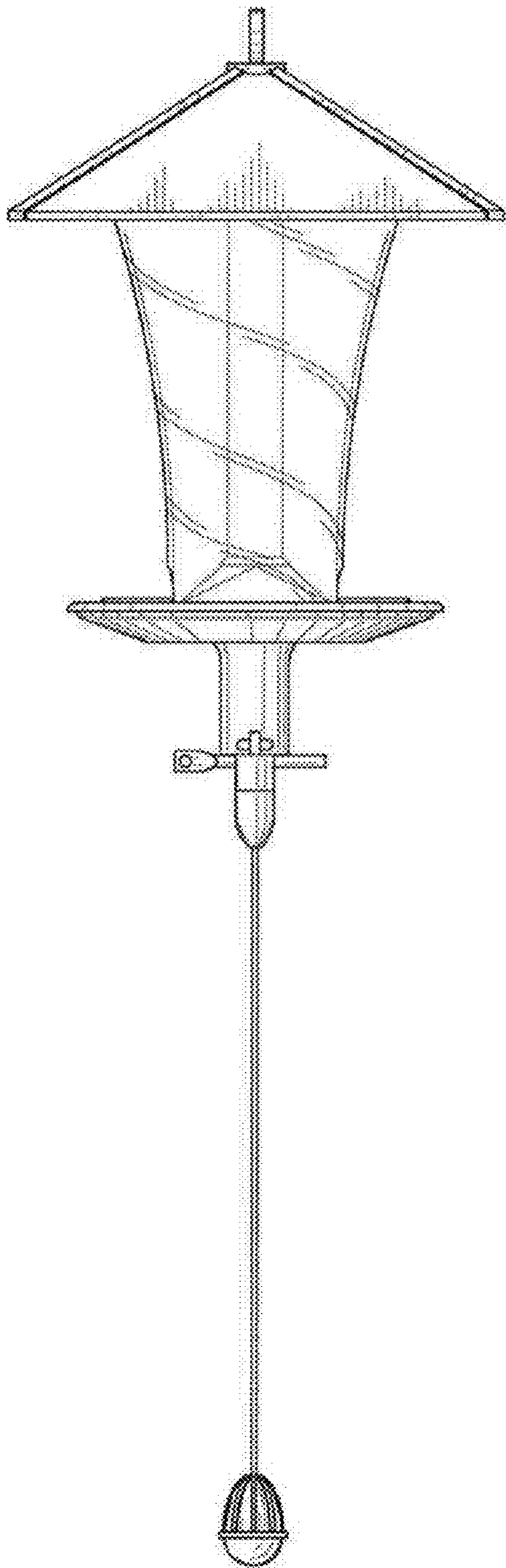


FIG. 4

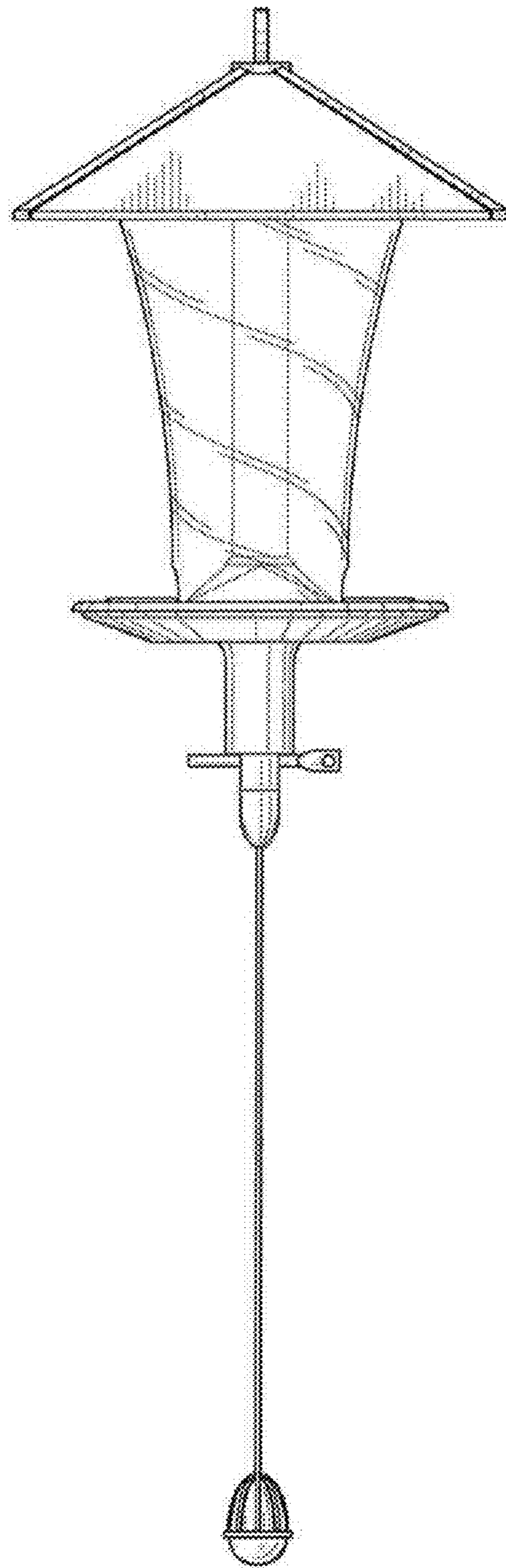


FIG. 5

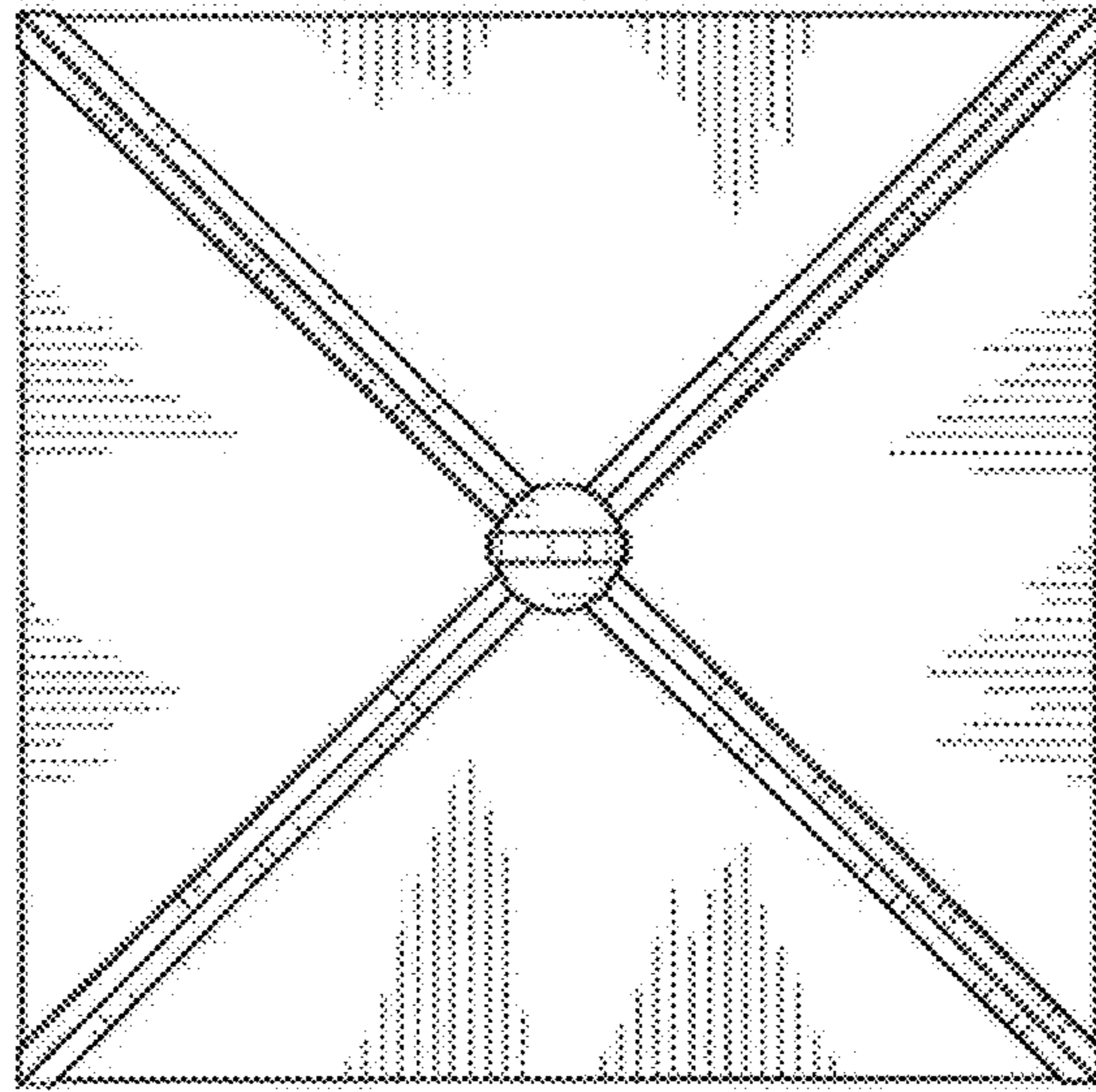


FIG. 6

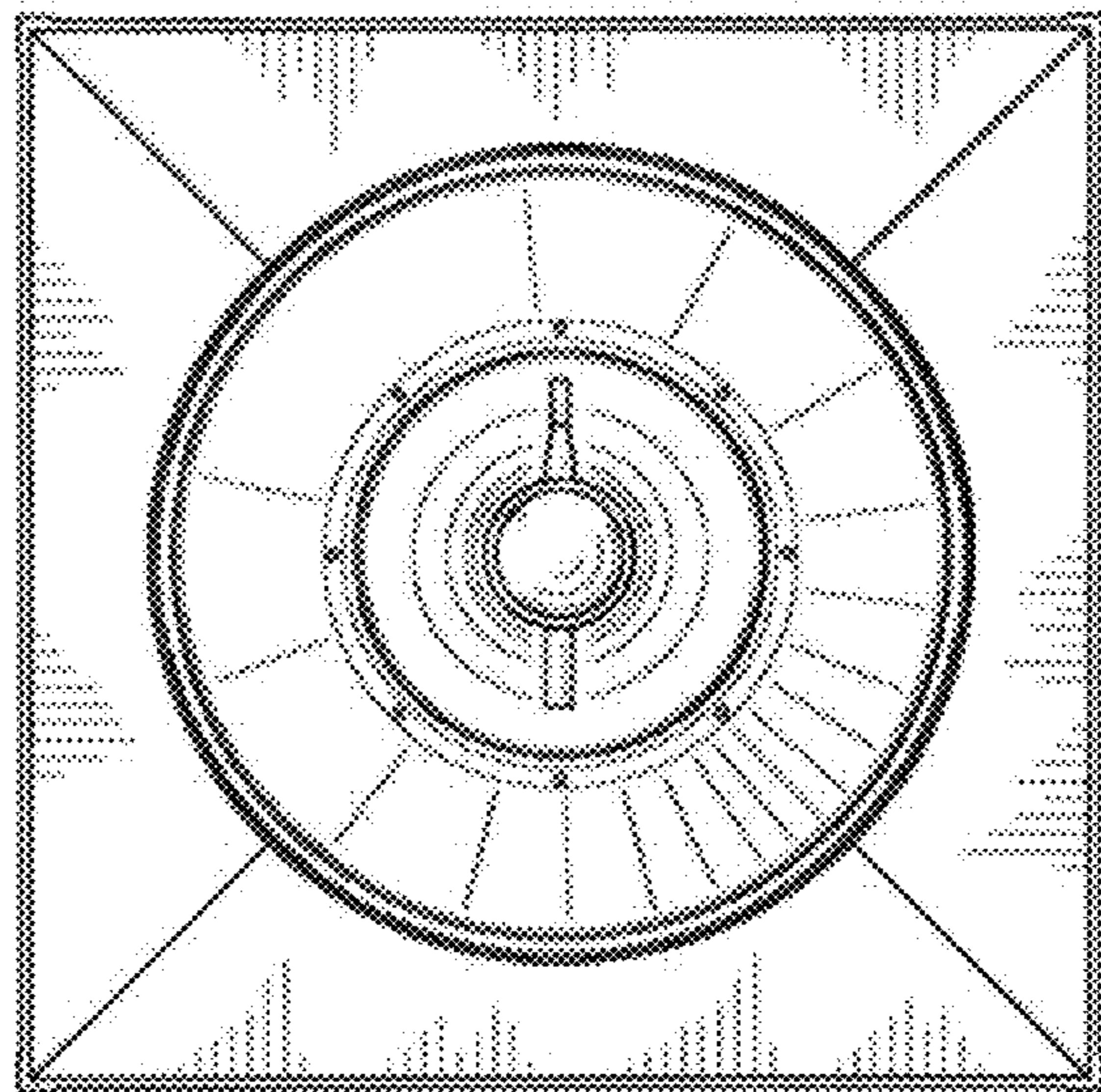


FIG. 7