



US00D671276S

(12) **United States Design Patent**  
**Krueger**

(10) **Patent No.:** **US D671,276 S**

(45) **Date of Patent:** **\*\* Nov. 20, 2012**

(54) **BIRD FEEDER**

(76) Inventor: **Bryan Krueger**, Denver, CO (US)

(\*\*) Term: **14 Years**

(21) Appl. No.: **29/387,517**

(22) Filed: **Mar. 14, 2011**

(51) **LOC (9) Cl.** ..... **30-03**

(52) **U.S. Cl.** ..... **D30/127**

(58) **Field of Classification Search** ..... D30/121,  
D30/124, 126-129, 133, 199, 110-112, 123,  
D30/125; 119/52.2, 51.5, 61.5, 57.8, 57.9,  
119/52.3, 61.1, 531, 63, 428-435, 52.4, 55,  
119/61.3, 69.5, 75, 76; 47/67, 83; 248/318;  
D11/164, 152; 211/128.1; D27/123; D6/495,  
D6/460, 461, 476, 405

See application file for complete search history.

(56) **References Cited**

**U.S. PATENT DOCUMENTS**

D8,908	S	*	1/1876	Wiley	.....	D7/354
2,696,803	A	*	12/1954	Deffenbaugh	.....	119/52.2
2,891,508	A	*	6/1959	Bower	.....	119/52.3
3,051,303	A	*	8/1962	Daanen et al.	.....	206/776
3,307,602	A	*	3/1967	Boster	.....	220/254.7
3,316,884	A	*	5/1967	Viggars	.....	119/52.3
3,372,676	A	*	3/1968	Williams	.....	119/52.3
D217,470	S	*	5/1970	Morrow	.....	D30/128
D234,180	S	*	1/1975	Dart et al.	.....	D7/584
3,901,192	A	*	8/1975	Adams	.....	119/57.9
D245,643	S	*	8/1977	Orfei	.....	D11/154
D248,006	S	*	5/1978	Christian	.....	D7/584
D258,338	S	*	2/1981	Gersin	.....	D7/584
D274,563	S	*	7/1984	Blasbalg	.....	D30/128
D290,769	S	*	7/1987	Taylor	.....	D30/124
4,798,172	A	*	1/1989	Clarke	.....	119/57.9
4,996,947	A	*	3/1991	Petrides	.....	

D343,030	S	*	1/1994	Harwick, Jr.	.....	D30/128
D383,878	S	*	9/1997	Merino et al.	.....	D30/124
5,682,835	A	*	11/1997	Walter et al.	.....	
5,701,841	A	*	12/1997	Fasino	.....	
6,213,054	B1	*	4/2001	Marshall	.....	
D478,475	S	*	8/2003	Backes et al.	.....	D7/545
D491,019	S	*	6/2004	Marsden et al.	.....	D7/523
D548,587	S	*	8/2007	DuVal et al.	.....	D9/504
D556,568	S	*	12/2007	DuVal	.....	D9/500
D561,021	S	*	2/2008	DuVal et al.	.....	D9/500
2004/0261726	A1	*	12/2004	Lumpkin	.....	119/57.9
2008/0022936	A1	*	1/2008	Stone et al.	.....	119/52.2
2011/0067637	A1	*	3/2011	Baynard	.....	119/57.9

**OTHER PUBLICATIONS**

U.S. Appl. No. 13/107,841, filed May 13, 2011, Donegan et al.  
U.S. Appl. No. 13/420,063, filed Mar. 14, 2012, Carter et al.  
U.S. Appl. No. 13/420,086, filed Mar. 14, 2012, Carter et al.

\* cited by examiner

*Primary Examiner* — Susan Moon Lee

(74) *Attorney, Agent, or Firm* — Polsinelli Shughart PC

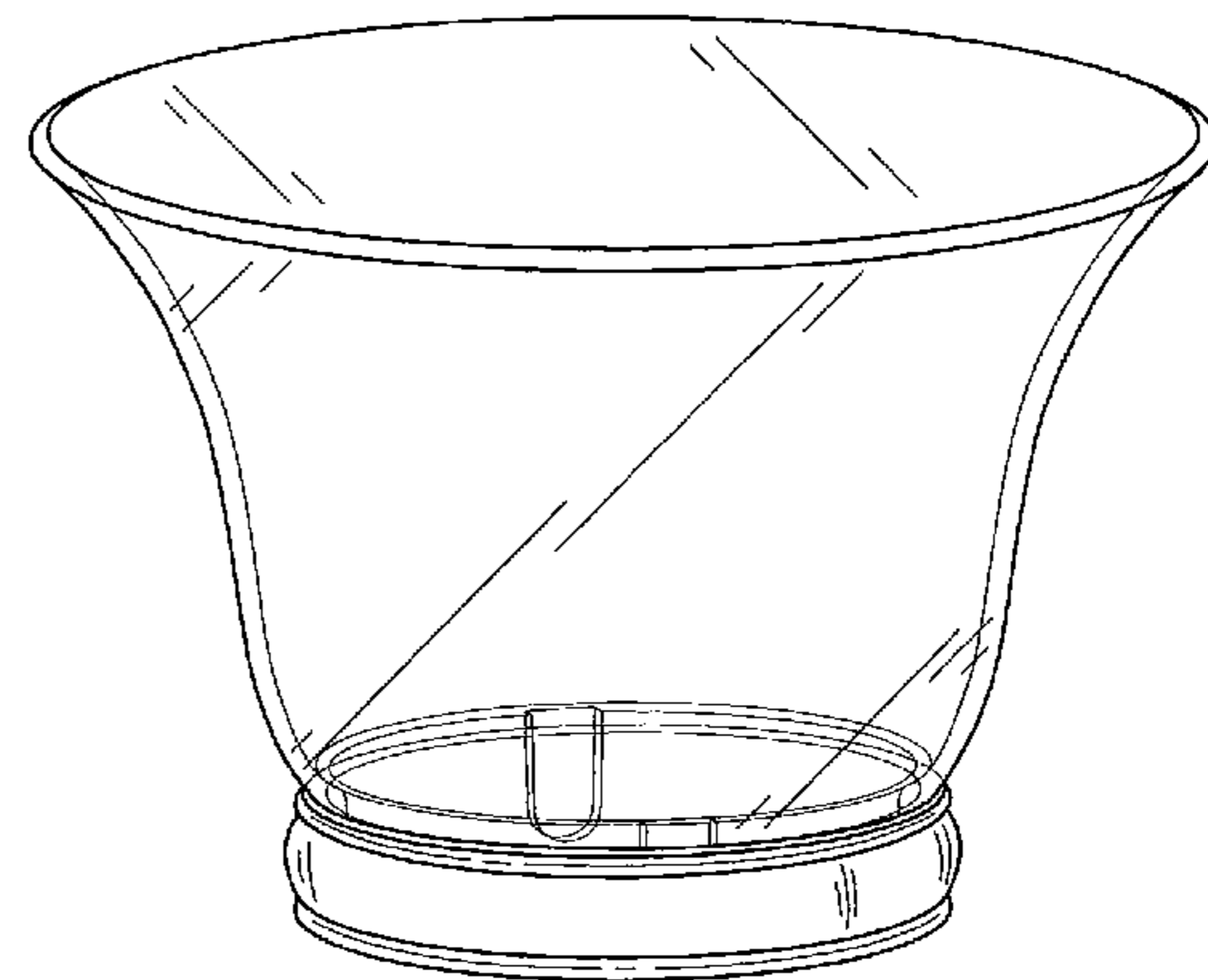
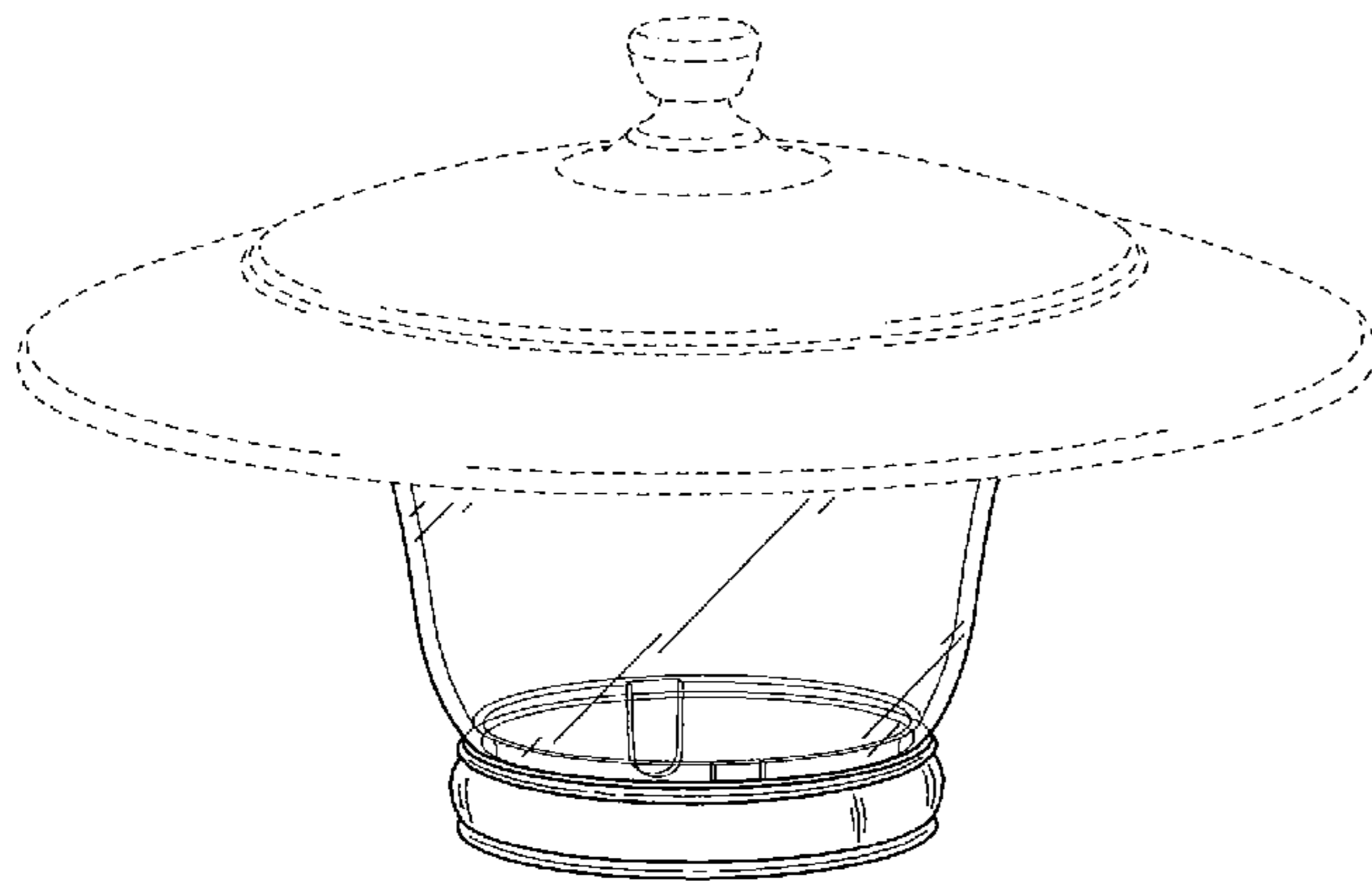
(57) **CLAIM**

I claim the ornamental design for a bird feeder, as shown and described.

**DESCRIPTION**

FIG. 1 is a front perspective view of a Bird Feeder showing our new design;  
FIG. 2 is another front perspective view thereof;  
FIG. 3 is a side perspective view thereof;  
FIG. 4 is an elevational view thereof;  
FIG. 5 is a top plan view thereof; and,  
FIG. 6 is a bottom plan view thereof.  
The broken line showing of a top cover is not claimed.

**1 Claim, 6 Drawing Sheets**



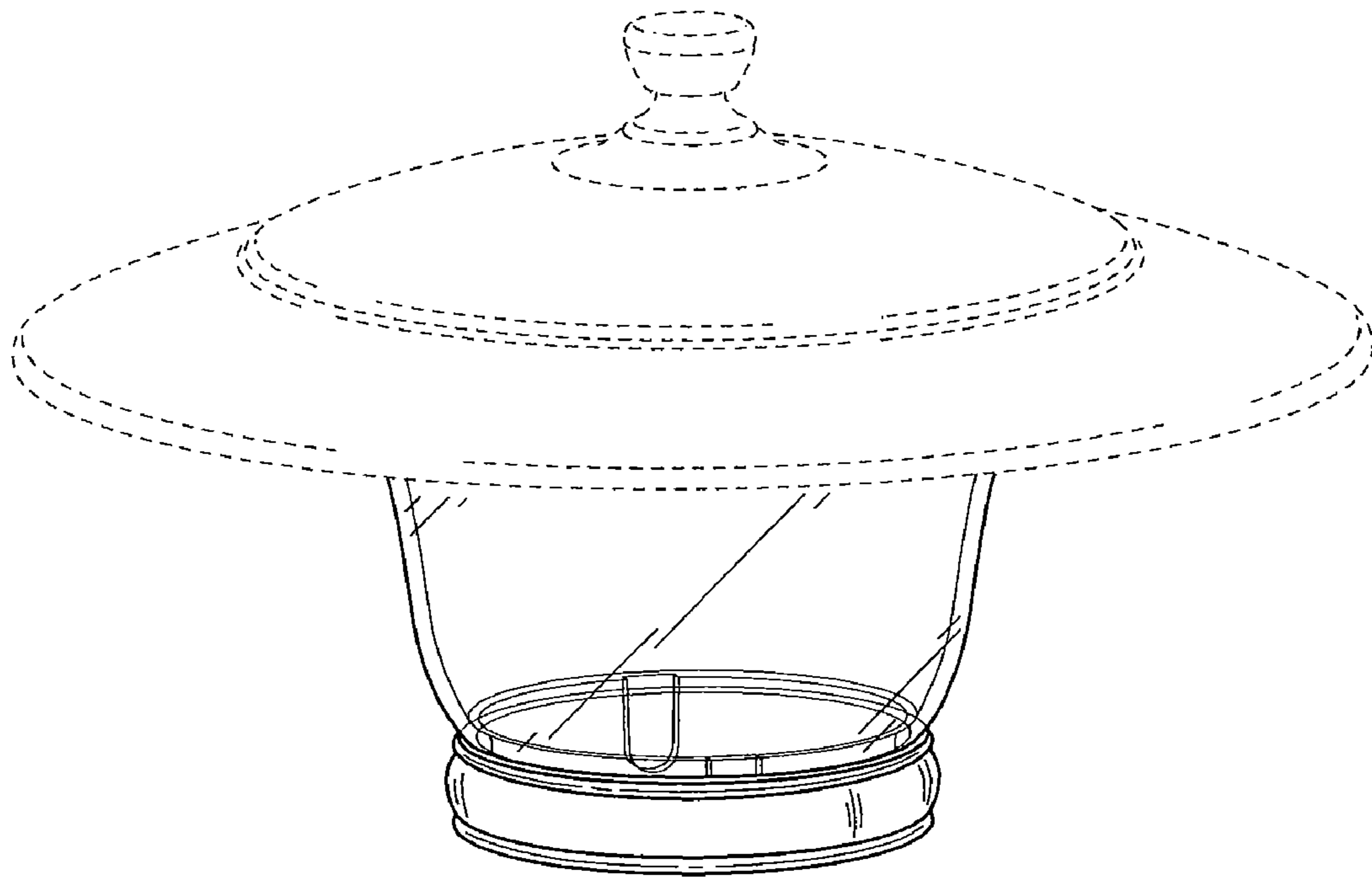


FIG. 1

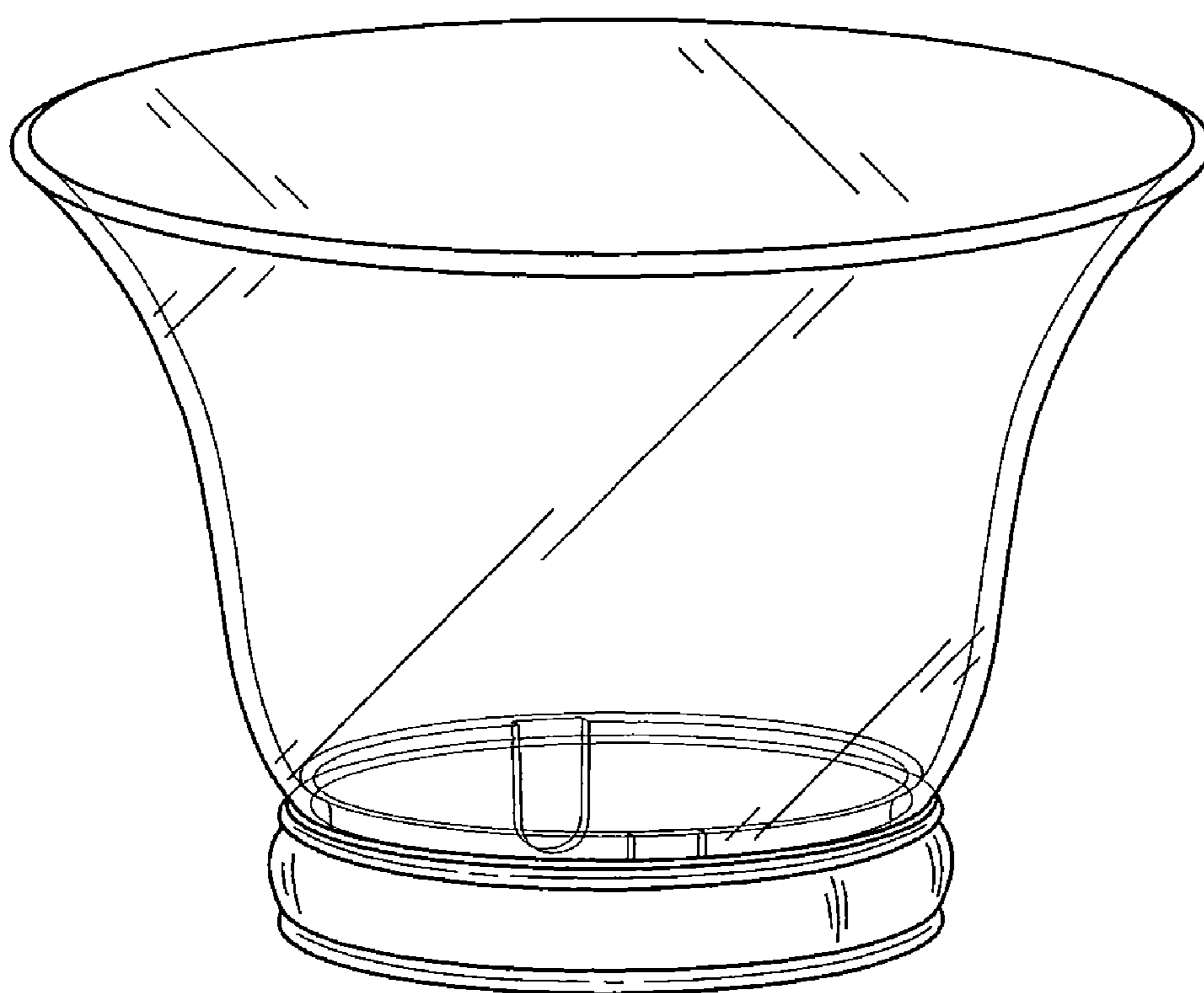


FIG.2

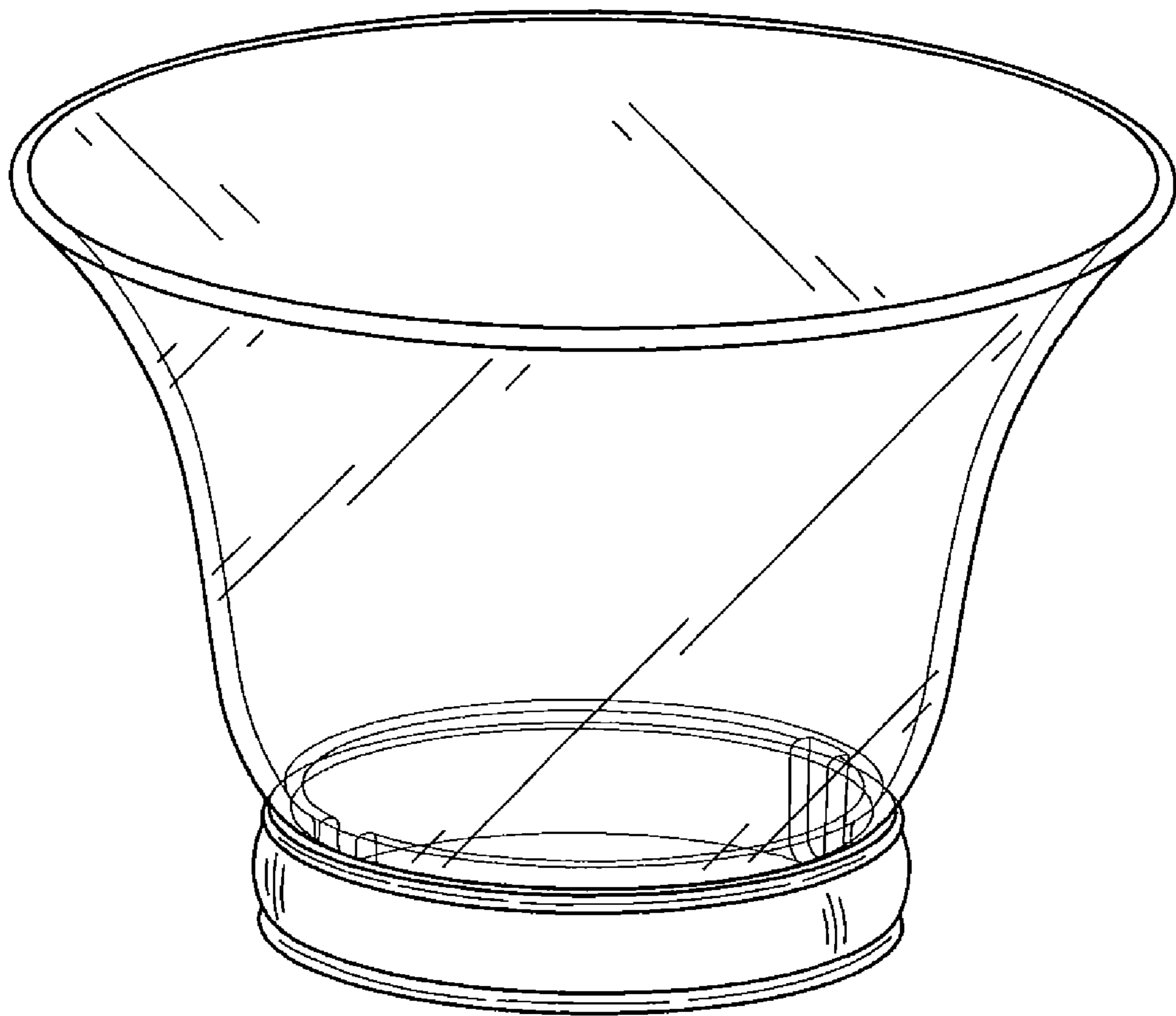


FIG.3

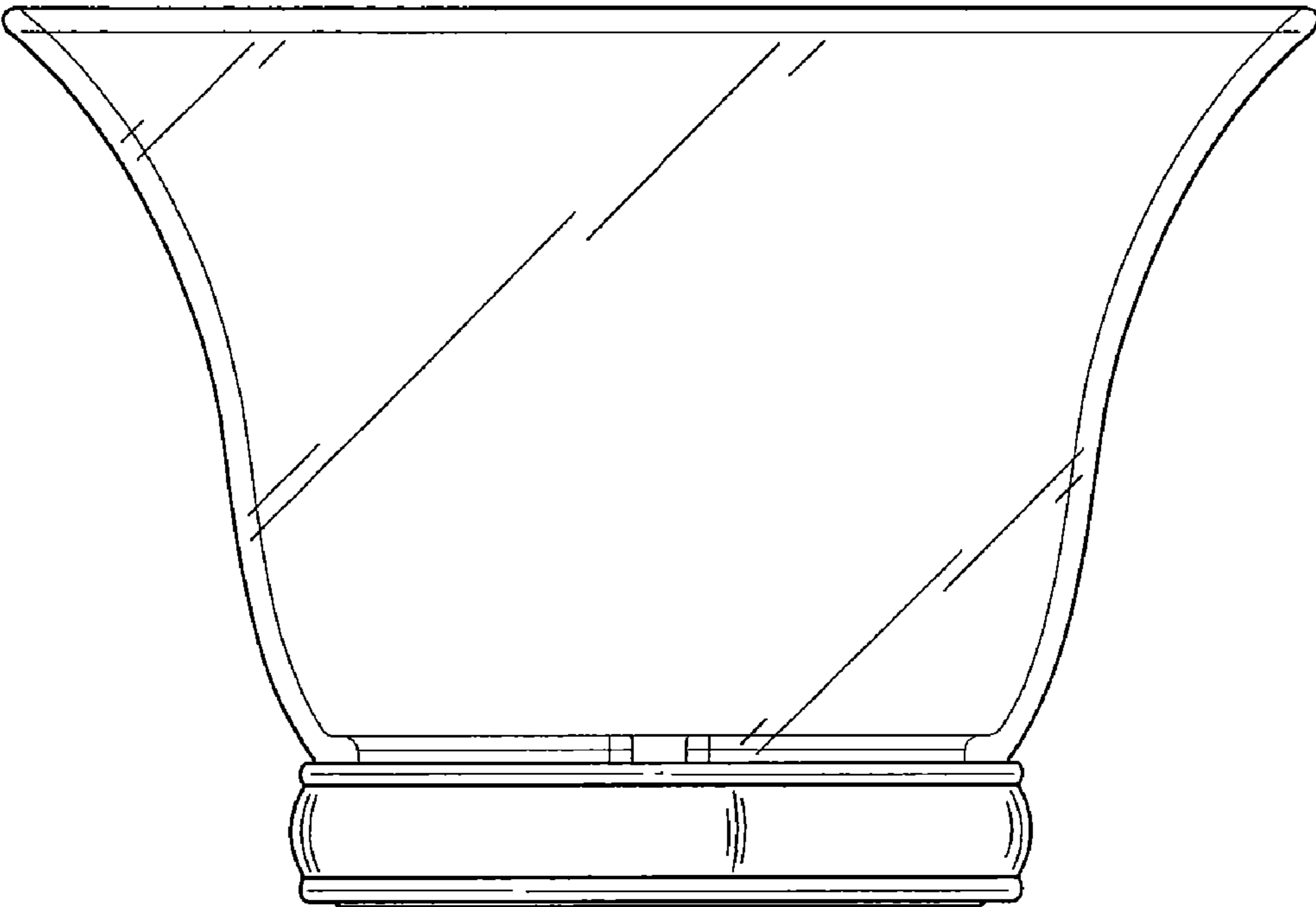


FIG.4

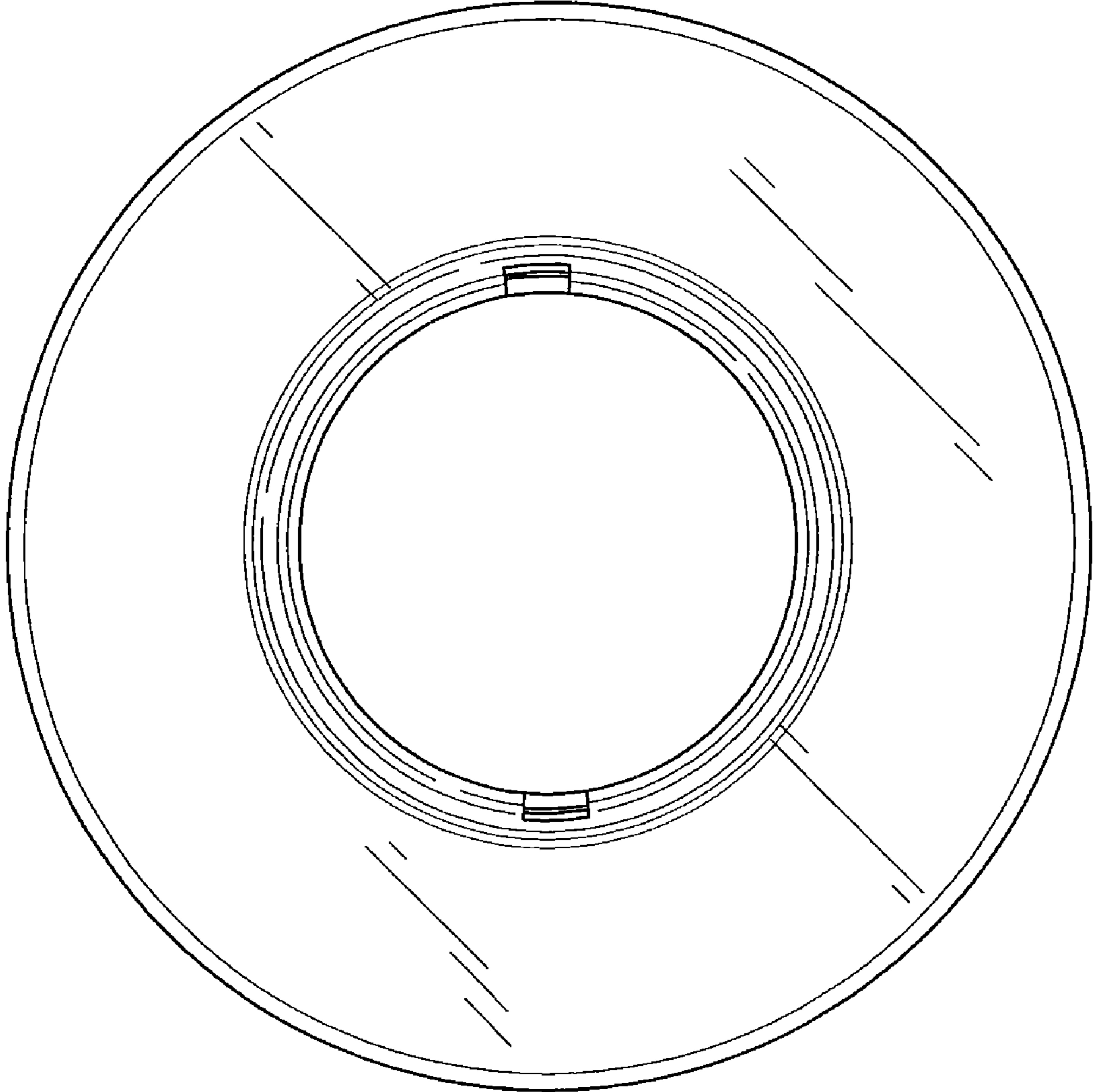


FIG.5

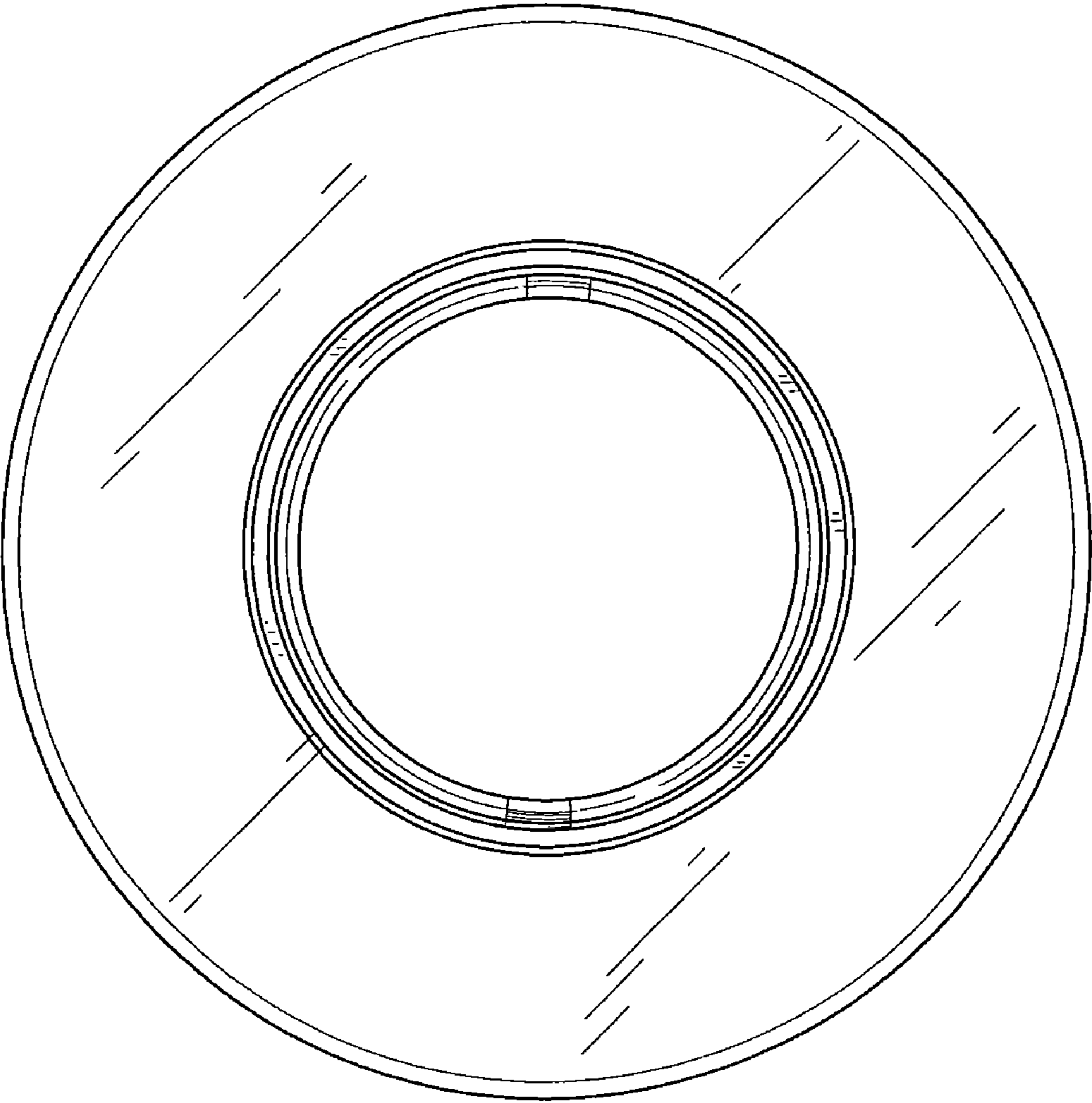


FIG.6