



US00D671275S

(12) **United States Design Patent**
Manalo et al.

(10) **Patent No.:** **US D671,275 S**
(45) **Date of Patent:** **** Nov. 20, 2012**

(54) **WRIST BRACE WITH A THUMB ATTACHMENT**
(75) Inventors: **Gil David Manalo**, San Clemente, CA (US); **Duane Romo**, Aliso Viejo, CA (US); **Concetta Maria Huffa**, Encino, CA (US)

5,662,599 A 9/1997 Reich et al.
5,666,389 A * 9/1997 Andersson et al. 376/462
5,722,092 A * 3/1998 Borzecki et al. 2/16
5,728,059 A 3/1998 Wiesemann et al.
5,733,249 A 3/1998 Katzin et al.
5,759,166 A 6/1998 Nelson et al.

(Continued)

(73) Assignee: **Ossur HF**, Reykjavik (IS)

(**) Term: **14 Years**

(21) Appl. No.: **29/413,095**

(22) Filed: **Feb. 10, 2012**

(51) **LOC (9) Cl.** **29-02**

(52) **U.S. Cl.** **D29/120.1**

(58) **Field of Classification Search** D29/101.1,
D29/102.1, 101.3, 101.4, 101.5, 120.1, 120.2,
D29/121.1, 121.2, 122; D2/901; D24/190;
2/16, 20-24, 62, 267, 455, 461, 463, 910,
2/911; 602/3, 5, 6, 16, 23, 26, 64; 128/878,
128/879

See application file for complete search history.

(56) **References Cited**

U.S. PATENT DOCUMENTS

3,369,258 A	2/1968	Smith	
4,013,070 A	3/1977	Harroff	
4,556,215 A	12/1985	Tarbox et al.	
4,575,075 A	3/1986	Tarbox et al.	
4,883,073 A	11/1989	Aziz	
4,953,568 A	9/1990	Theisler	
4,960,114 A	10/1990	Dale	
5,036,838 A	8/1991	Sherman	
D339,866 S	9/1993	Rice	
5,307,521 A	5/1994	Davis	
D347,693 S	6/1994	Dancyger	
5,335,916 A	8/1994	Nee	
D352,134 S	11/1994	Crowder	
D357,745 S	4/1995	Radwell	
5,513,657 A	5/1996	Nelson	
5,600,849 A *	2/1997	Hu	2/16

OTHER PUBLICATIONS

“Basic Hand Anatomy,” American Society for Surgery of the Hand, at least prior to Mar. 21, 2007.

(Continued)

Primary Examiner — Raphael Barkai

Assistant Examiner — Randall Gholson

(74) *Attorney, Agent, or Firm* — Bacon & Thomas, PLLC

(57) **CLAIM**

The ornamental design for a wrist brace with a thumb attachment, as shown and described.

DESCRIPTION

FIG. 1 is a frontal plan view of a wrist brace with a thumb attachment, showing our design.

FIG. 2 is a top elevational view of the wrist brace embodiment of FIG. 1.

FIG. 3 is a bottom elevational view of the wrist brace embodiment of FIG. 1.

FIG. 4 is a first side elevational view of the wrist brace embodiment of FIG. 1.

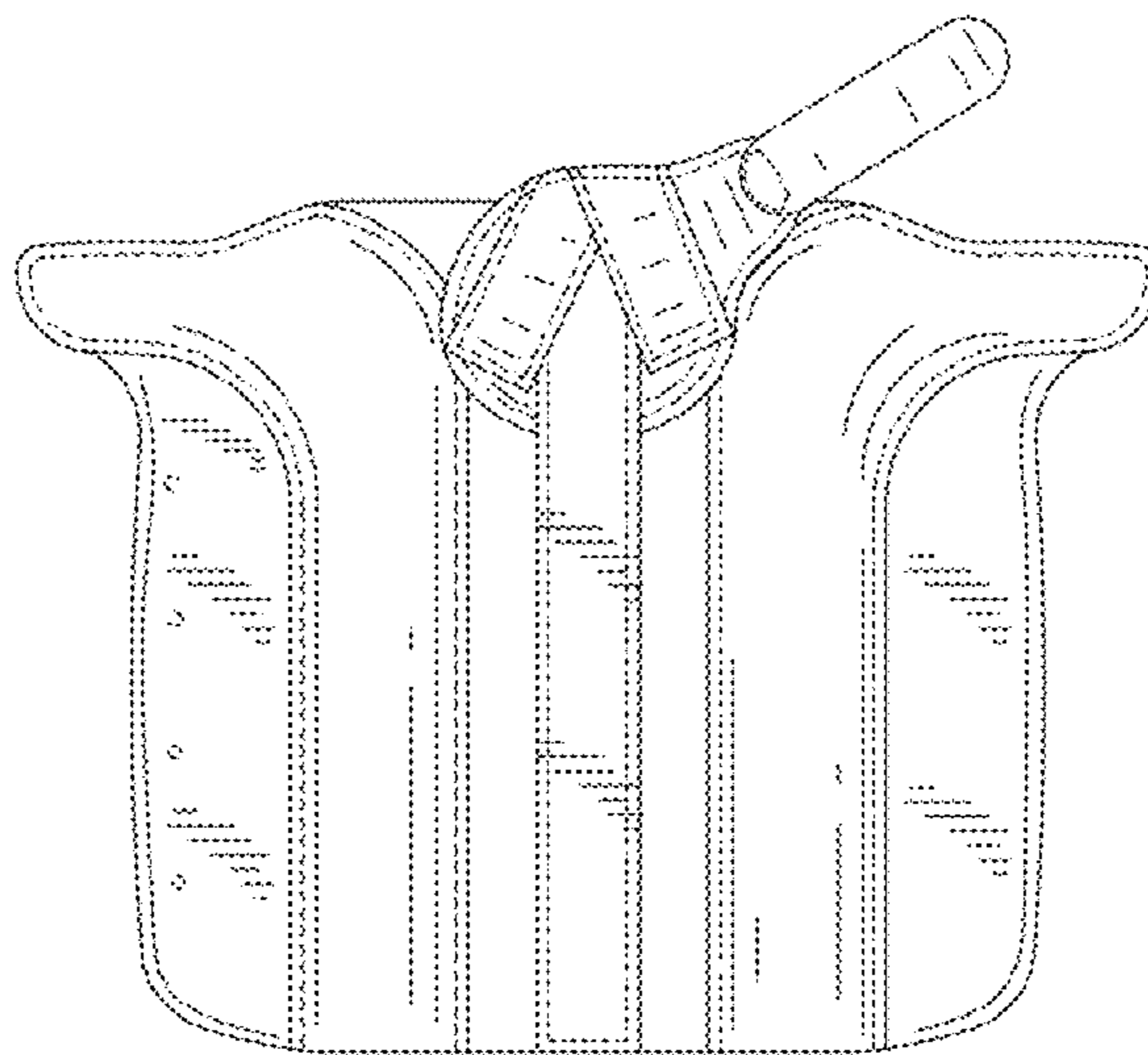
FIG. 5 is a second side elevational view of the wrist brace embodiment of FIG. 1.

FIG. 6 is a first perspective view of the wrist brace embodiment of FIG. 1 in an open configuration; and,

FIG. 7 is a second perspective view of the wrist brace embodiment of FIG. 1 in a closed configuration.

The broken lines are included for the purpose of illustrating environmental structure and form no part of the claimed design.

1 Claim, 3 Drawing Sheets



US D671,275 S

Page 2

U.S. PATENT DOCUMENTS

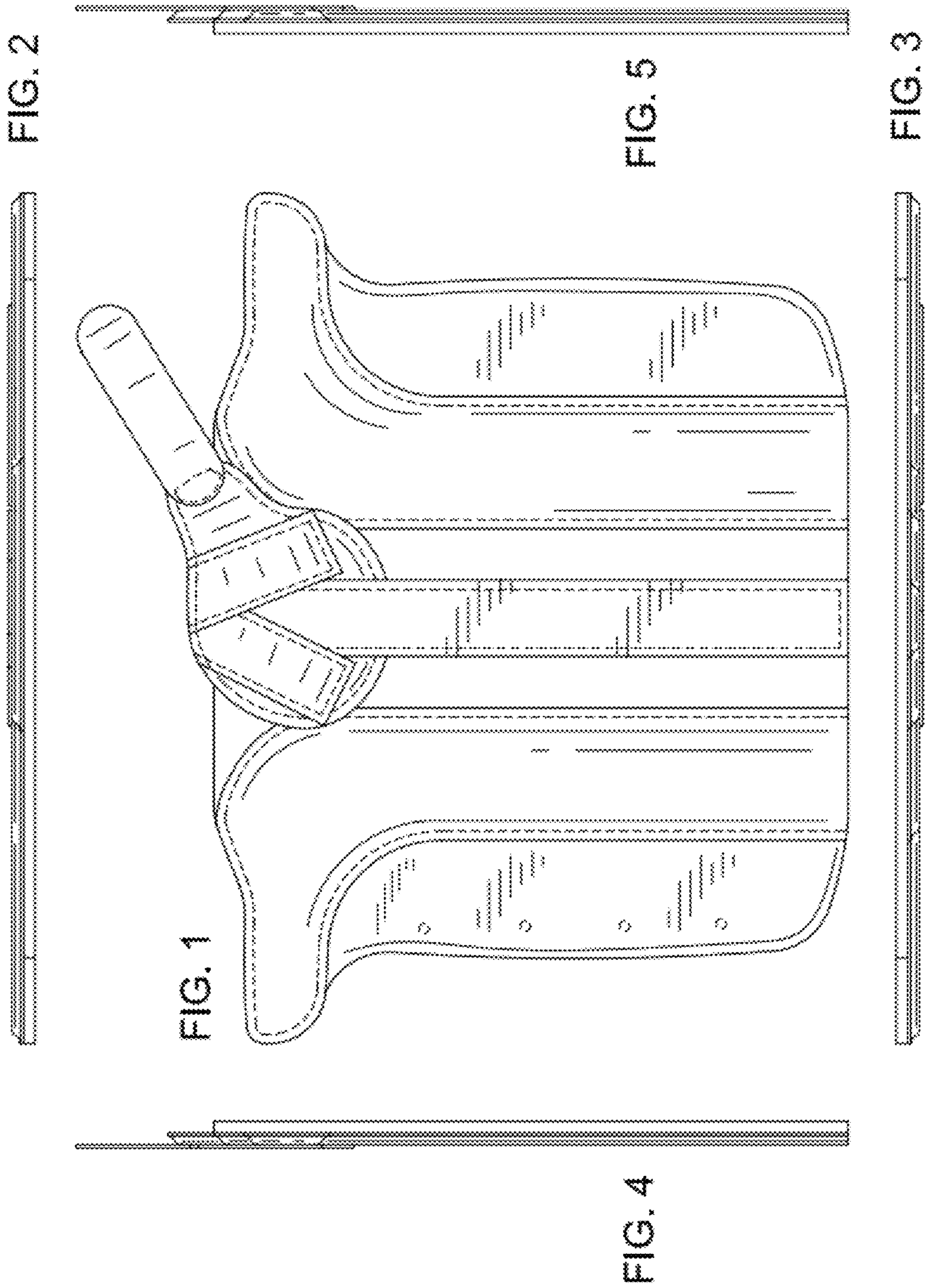
5,794,275 A * 8/1998 Donzis 2/455
5,813,050 A 9/1998 Popowski
5,819,313 A * 10/1998 McCrane 2/16
D405,180 S 2/1999 Reina
5,873,130 A 2/1999 Lafferty
5,928,172 A 7/1999 Gaylord
6,024,715 A 2/2000 Maxwell
6,059,694 A 5/2000 Villepigue
6,186,969 B1 2/2001 Bell et al.
6,196,985 B1 3/2001 Slautterback
6,261,252 B1 7/2001 Darcey
D456,081 S 4/2002 Bell et al.
D465,068 S 10/2002 Payne
6,561,994 B1 5/2003 Mills et al.
D477,088 S 7/2003 Brown et al.
D477,409 S 7/2003 Mills et al.
6,730,053 B1 5/2004 Bodenschatz et al.
D496,465 S 9/2004 Weaver, II
6,785,909 B1 * 9/2004 Li 2/16
6,893,410 B1 5/2005 Hely
6,960,176 B1 11/2005 Hely et al.
7,033,331 B1 4/2006 Hely

7,037,285 B2 5/2006 Yewer, Jr.
7,056,298 B1 6/2006 Weber
D533,280 S 12/2006 Wyatt et al.
7,318,812 B2 1/2008 Taylor et al.
7,442,177 B1 * 10/2008 Garelick et al. 602/21
7,473,236 B1 1/2009 Mathewson
D626,242 S 10/2010 Sagnip et al.
7,914,475 B2 3/2011 Wyatt et al.
8,070,699 B2 12/2011 Avitable et al.
2004/0049141 A1 3/2004 Slautterback et al.
2005/0197608 A1 9/2005 Taylor et al.
2005/0197609 A1 9/2005 Mills
2005/0273030 A1 12/2005 Koby et al.
2007/0129658 A1 * 6/2007 Hampson et al. 602/13

OTHER PUBLICATIONS

European Search Report issued related European application No.
07753684.5, Aug. 5, 2010, 6 pages.
International Search Report and Written Opinion issued in PCT/
US2007/07076, Dec. 26, 2007, 9 pages.

* cited by examiner



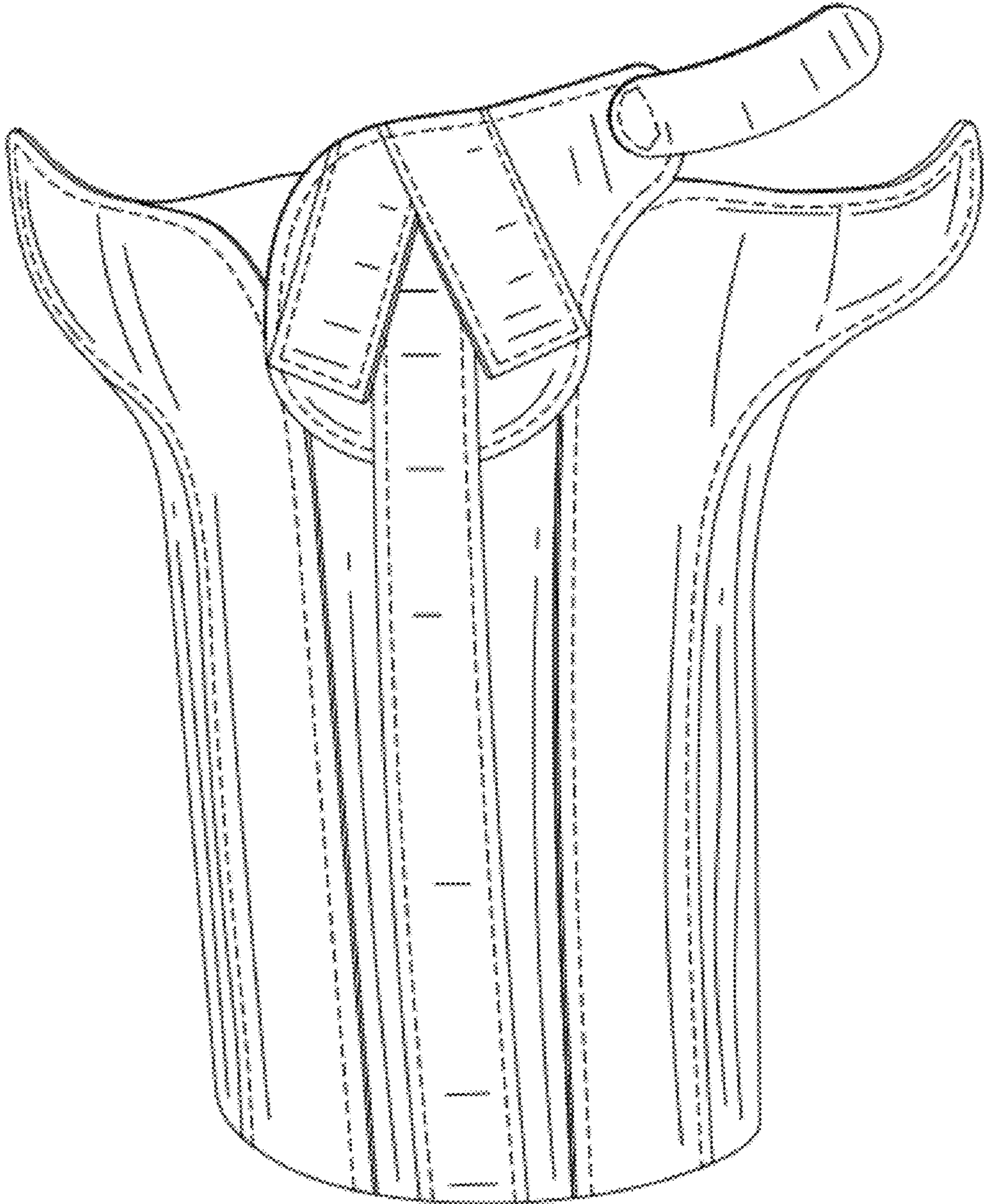


FIG. 6

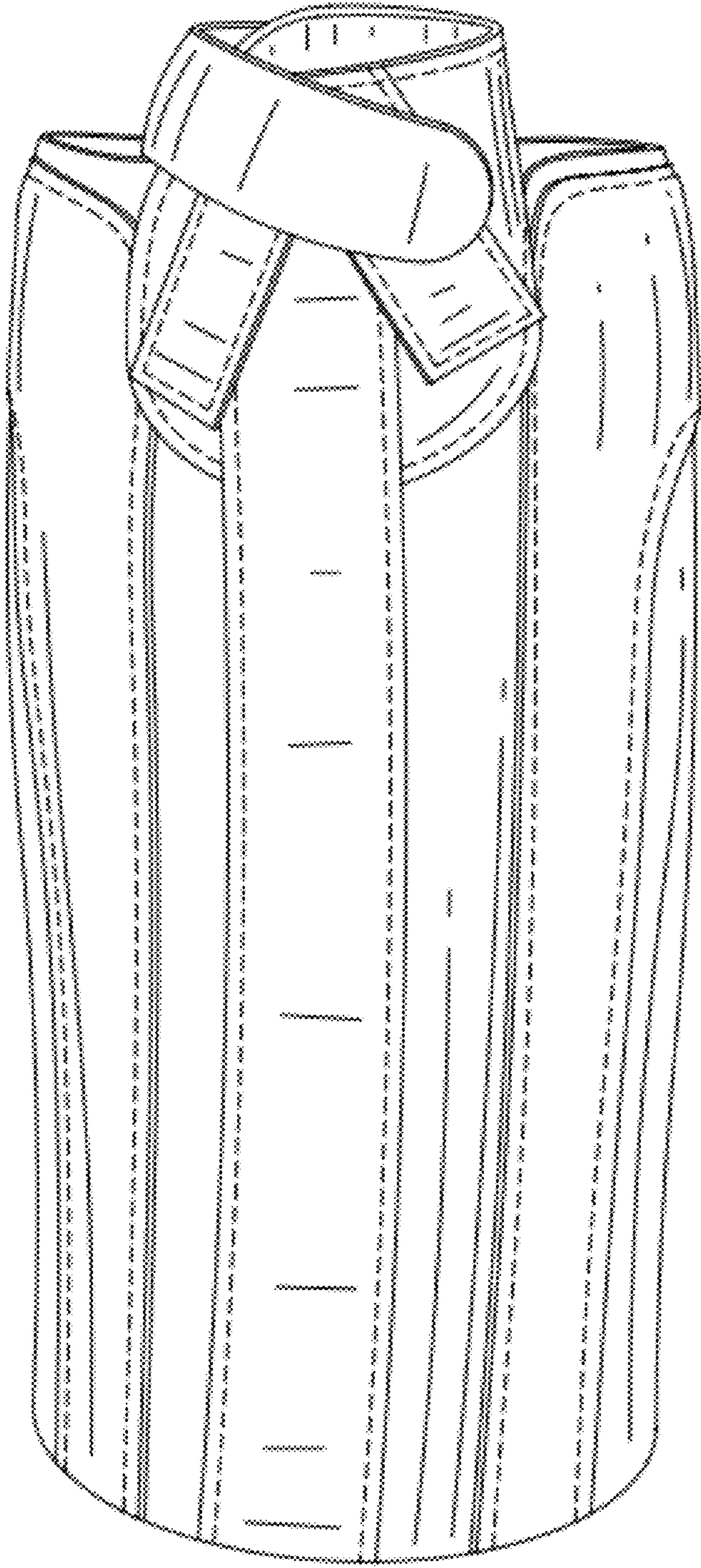


FIG. 7