



US00D671269S

(12) **United States Design Patent**
Lang

(10) **Patent No.:** **US D671,269 S**
(45) **Date of Patent:** **** Nov. 20, 2012**

- (54) **HAIR DRYER HOLDER**
- (75) Inventor: **Sanford Lang**, Valley Village, CA (US)
- (73) Assignee: **Insynergy Products, Inc.**, Studio City, CA (US)
- (**) Term: **14 Years**
- (21) Appl. No.: **29/412,923**
- (22) Filed: **Feb. 9, 2012**
- (51) **LOC (9) Cl.** **28-03**
- (52) **U.S. Cl.** **D28/73; D28/18**
- (58) **Field of Classification Search** D28/9-10, D28/18, 73-75; 248/146, 176.1, 157, 121-125.9; 34/96-101; 206/823, 581; 219/242
See application file for complete search history.

- 6,061,923 A 5/2000 Case
- 6,189,229 B1 2/2001 Thomas et al.
- 6,390,424 B1 * 5/2002 Kidushim et al. 248/122.1
- 6,442,340 B1 * 8/2002 Shimizu 34/96
- 6,457,686 B1 10/2002 Hill
- 6,520,467 B2 2/2003 Thomas et al.
- D489,841 S * 5/2004 West D28/73
- 7,832,697 B2 11/2010 West et al.
- 2004/0075033 A1 4/2004 Fujitaka
- 2007/0062058 A1 3/2007 Perez, Jr.
- 2009/0065661 A1 * 3/2009 Burk 248/146
- 2009/0145002 A1 * 6/2009 Brewer et al. 34/443
- 2011/0057082 A1 3/2011 West

* cited by examiner

Primary Examiner — Jennifer Rivard
(74) *Attorney, Agent, or Firm* — Risso & Associates

(57) **CLAIM**
The ornamental design for a hair dryer holder, as shown and described.

(56) **References Cited**

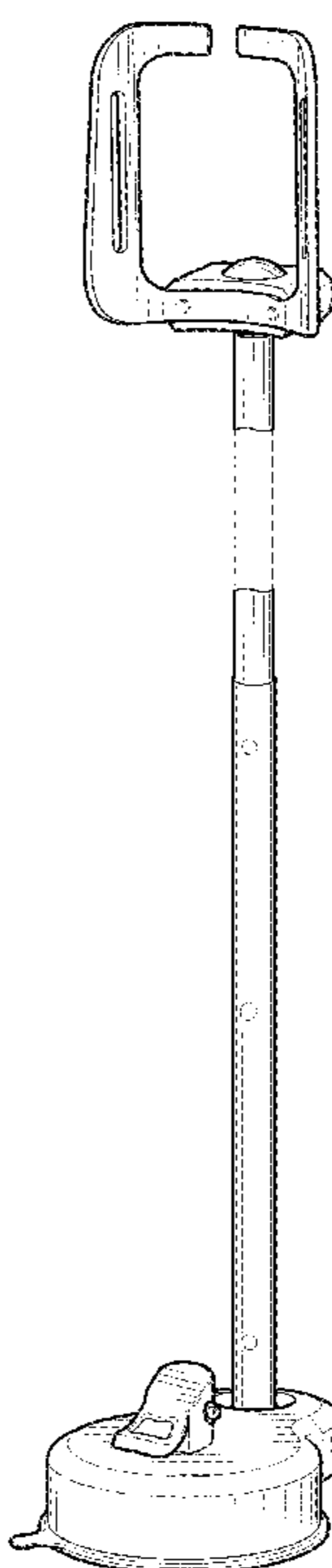
U.S. PATENT DOCUMENTS

- 4,225,106 A 9/1980 Eplan
- 4,278,223 A * 7/1981 Fauteux 248/125.8
- 4,453,695 A 6/1984 Sennott et al.
- 4,466,203 A * 8/1984 Thomas 34/99
- 4,696,447 A 9/1987 Strecker
- 4,910,382 A * 3/1990 Kakuya et al. 34/97
- 5,064,154 A * 11/1991 Payne 248/121
- 5,268,988 A * 12/1993 Miyamoto et al. 34/99
- 5,613,305 A * 3/1997 Narrin 34/90
- 5,630,517 A 5/1997 Maznik
- 5,737,847 A * 4/1998 Britton 34/97
- 5,832,624 A 11/1998 Narrin
- 5,842,670 A * 12/1998 Nigoghosian 248/160
- 5,956,861 A 9/1999 Barnes
- 5,970,622 A * 10/1999 Bahman 34/97

DESCRIPTION

FIG. 1 is a top, perspective-view of a hair dryer holder; FIG. 2 is a top view of the hair dryer holder; FIG. 3 is a bottom view of the hair dryer holder; FIG. 4 is a right, side-view of the hair dryer holder; FIG. 5 is a left, side-view of the hair dryer holder; FIG. 6 is a front view of the hair dryer holder; and, FIG. 7 is a rear view of the hair dryer holder. The broken lines shown in the drawings represent unclaimed portions of the design and form no part thereof. The claimed design is shown broken away and indicates no particular length.

1 Claim, 4 Drawing Sheets



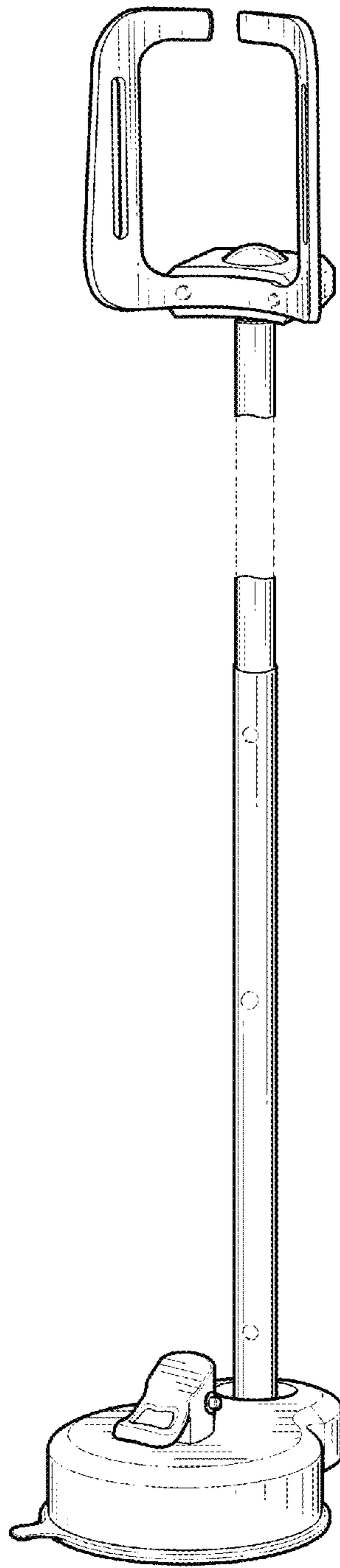


FIG. 1

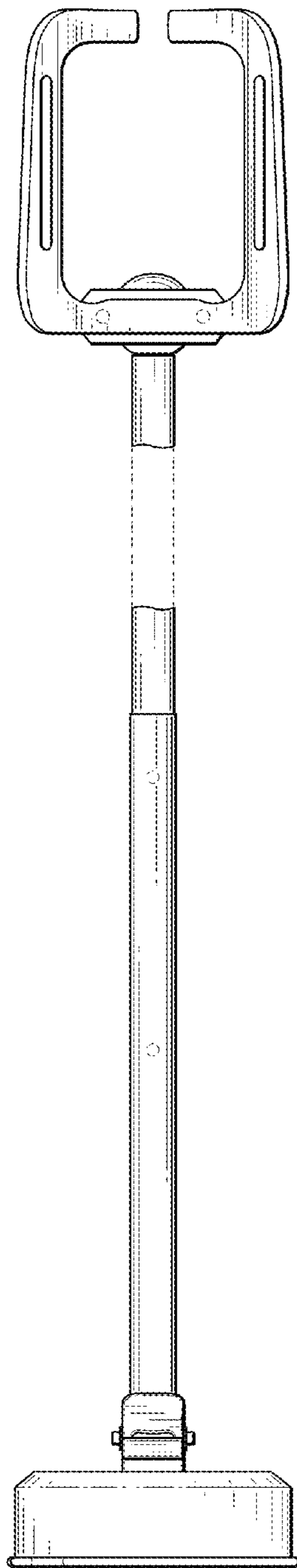


FIG. 2

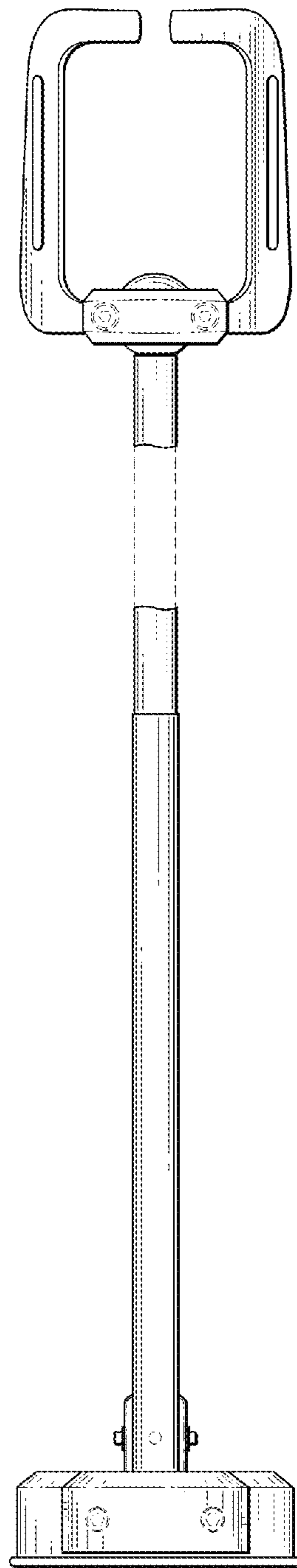


FIG. 3

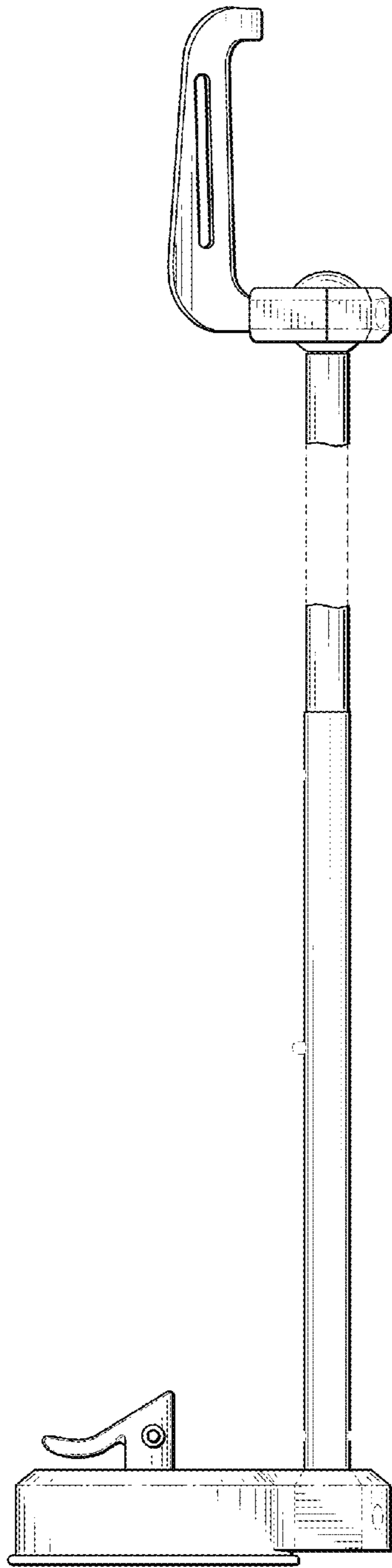


FIG. 4

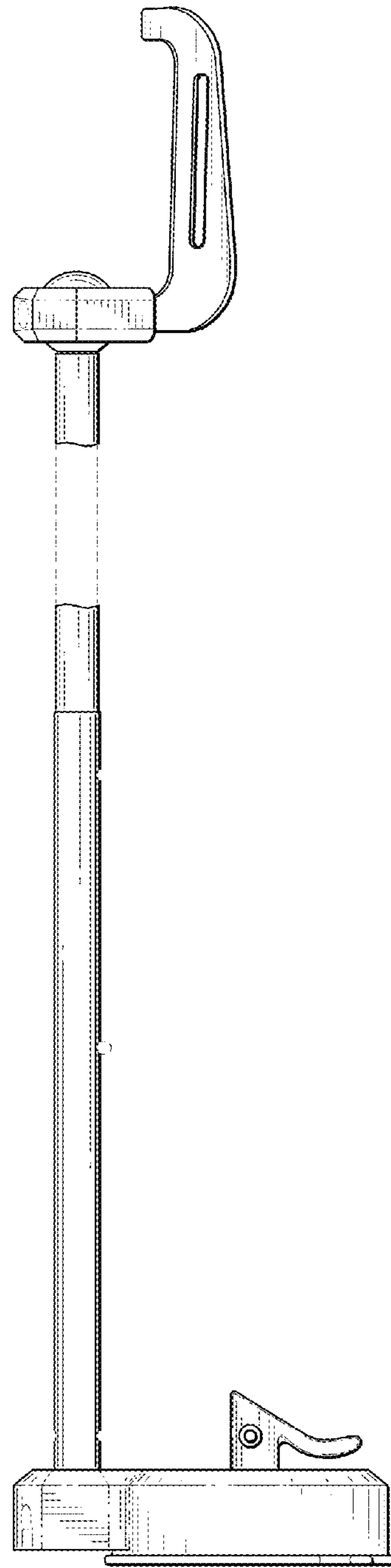


FIG. 5

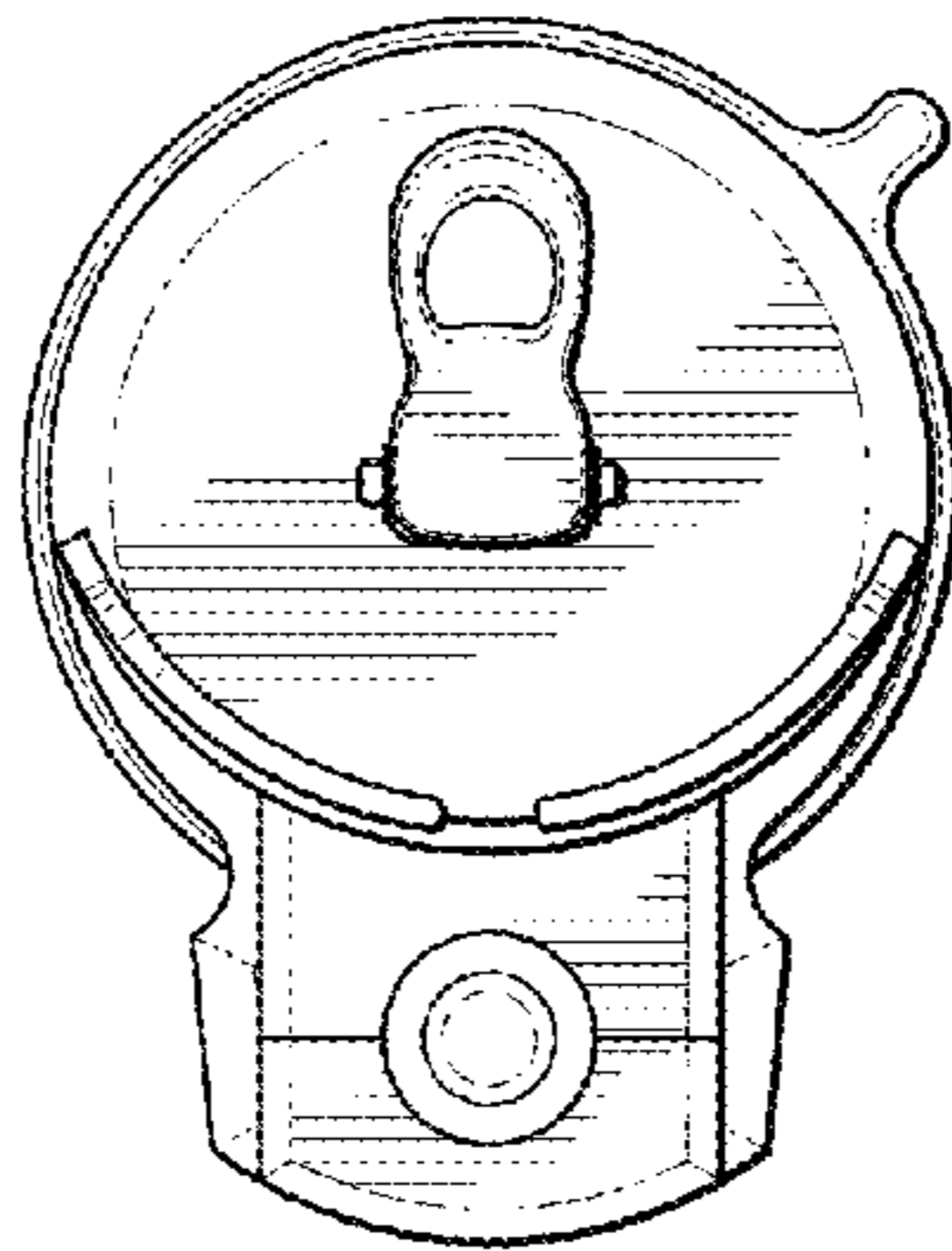


FIG. 6

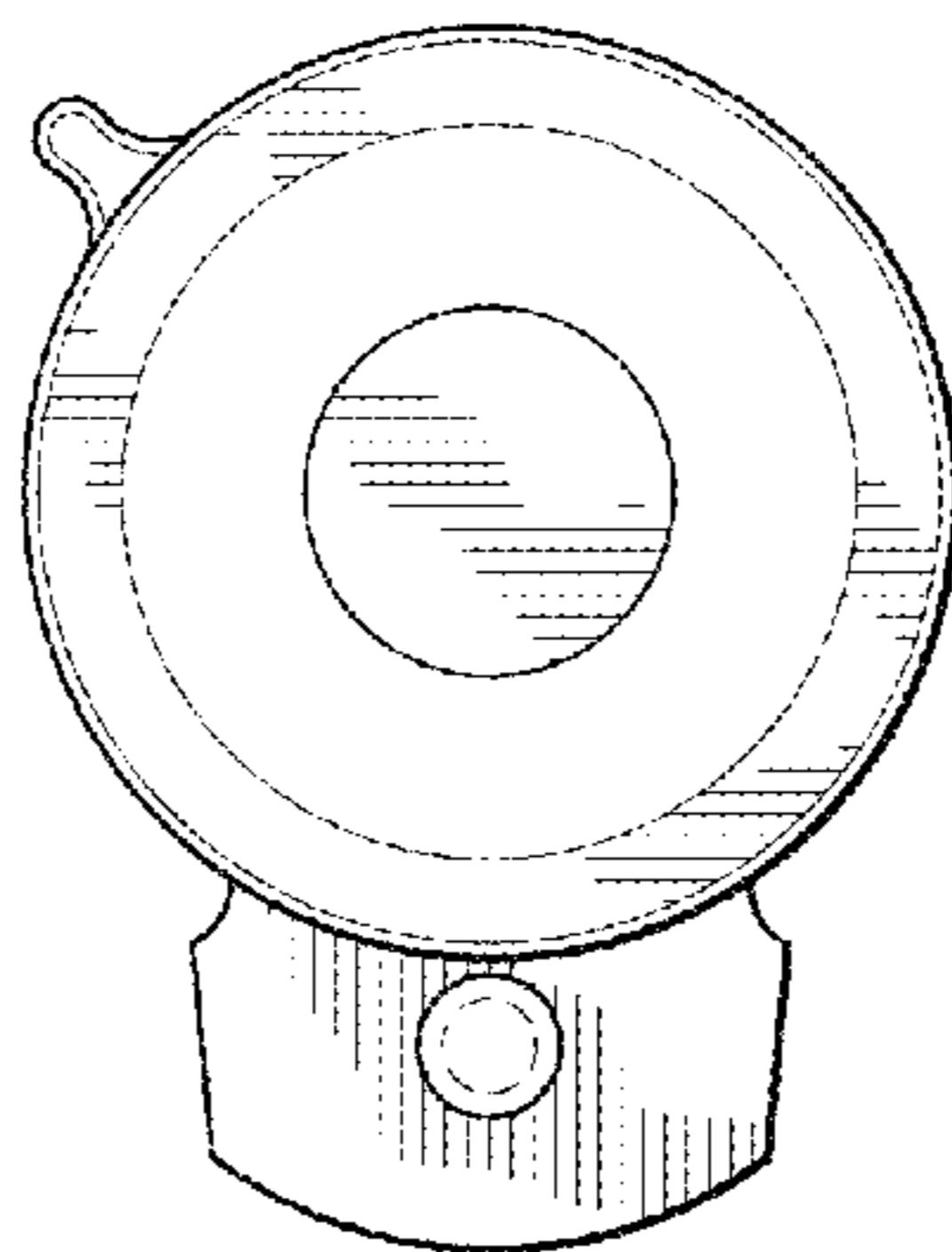


FIG. 7