



US00D671267S

(12) **United States Design Patent**  
**Hsu**

(10) **Patent No.:** **US D671,267 S**

(45) **Date of Patent:** **\*\* Nov. 20, 2012**

(54) **LINT REMOVER**

(76) Inventor: **Ching-Feng Hsu**, New Taipei (TW)

(\*\*) Term: **14 Years**

(21) Appl. No.: **29/408,424**

(22) Filed: **Dec. 13, 2011**

(51) **LOC (9) Cl.** ..... **28-03**

(52) **U.S. Cl.** ..... **D28/50**

(58) **Field of Classification Search** ..... D28/44-54;  
D32/17-19; 30/32-541, DIG. 1, DIG. 2,  
30/346-357, 133, 206, 364; 15/344  
See application file for complete search history.

(56) **References Cited**

**U.S. PATENT DOCUMENTS**

D298,361 S *	11/1988	Thaler	.....	D28/50
D307,957 S *	5/1990	Mockovak	.....	D28/50
D310,890 S *	9/1990	Ho	.....	D28/50
D455,228 S *	4/2002	Hsu	.....	D28/50
D459,028 S *	6/2002	Hsu	.....	D28/50
D495,831 S *	9/2004	Hsu	.....	D28/50

D513,814 S *	1/2006	Chen	.....	D28/50
D596,802 S *	7/2009	Yang	.....	D28/59
D620,643 S *	7/2010	Teteak et al.	.....	D28/50
2011/0308035 A1 *	12/2011	Casper	.....	15/344

\* cited by examiner

*Primary Examiner* — Jennifer Rivard

(74) *Attorney, Agent, or Firm* — Alan Kamrath; Kamrath IP Lawfirm PA

(57) **CLAIM**

The ornamental design for a lint remover, as shown.

**DESCRIPTION**

FIG. 1 is a perspective view of a lint remover showing my new design;

FIG. 2 is a front view thereof;

FIG. 3 is a rear view thereof;

FIG. 4 is a left side view thereof;

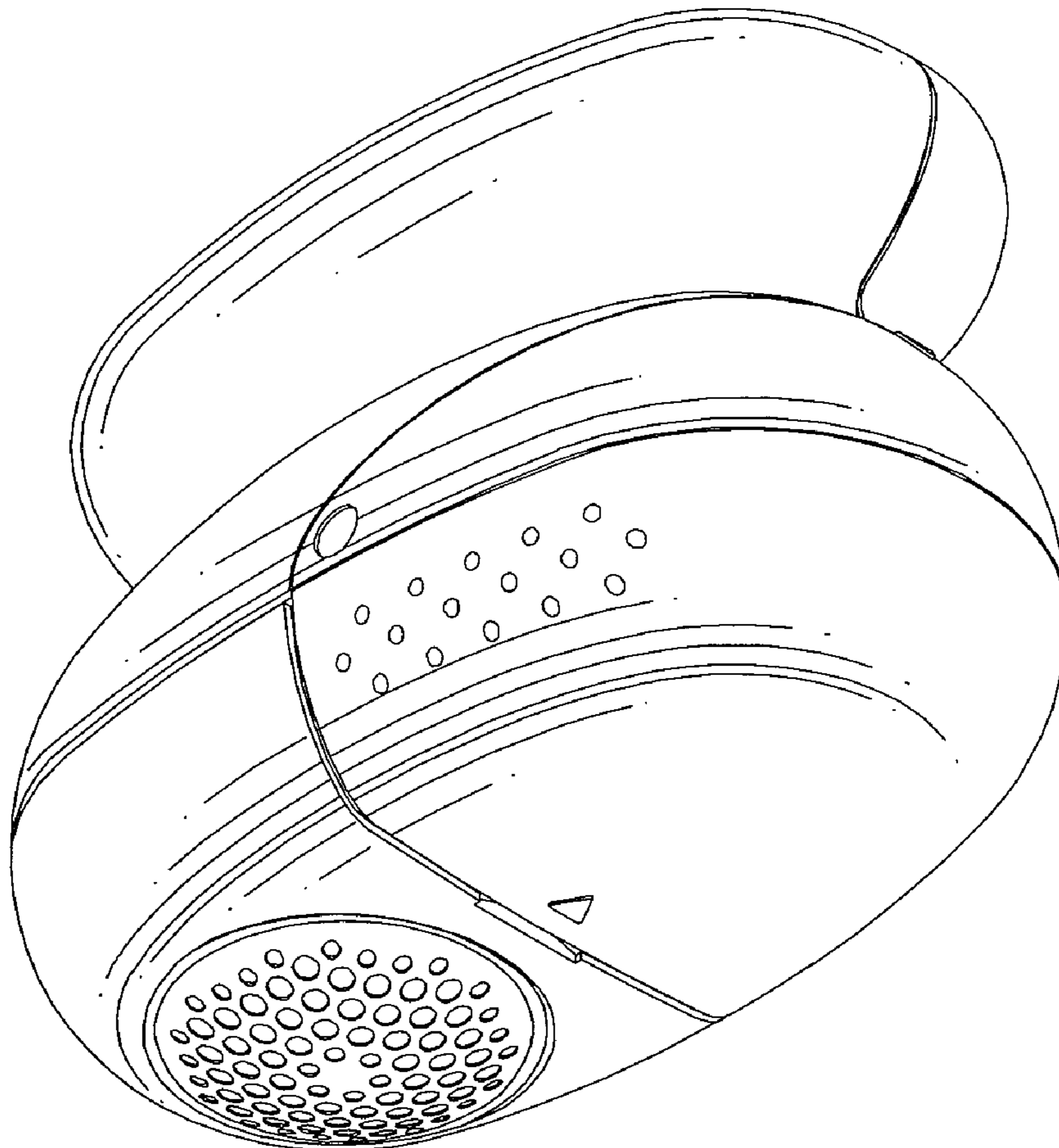
FIG. 5 is a right side view thereof;

FIG. 6 is a top view thereof;

FIG. 7 is a bottom view thereof; and,

FIG. 8 is another perspective view thereof.

**1 Claim, 8 Drawing Sheets**



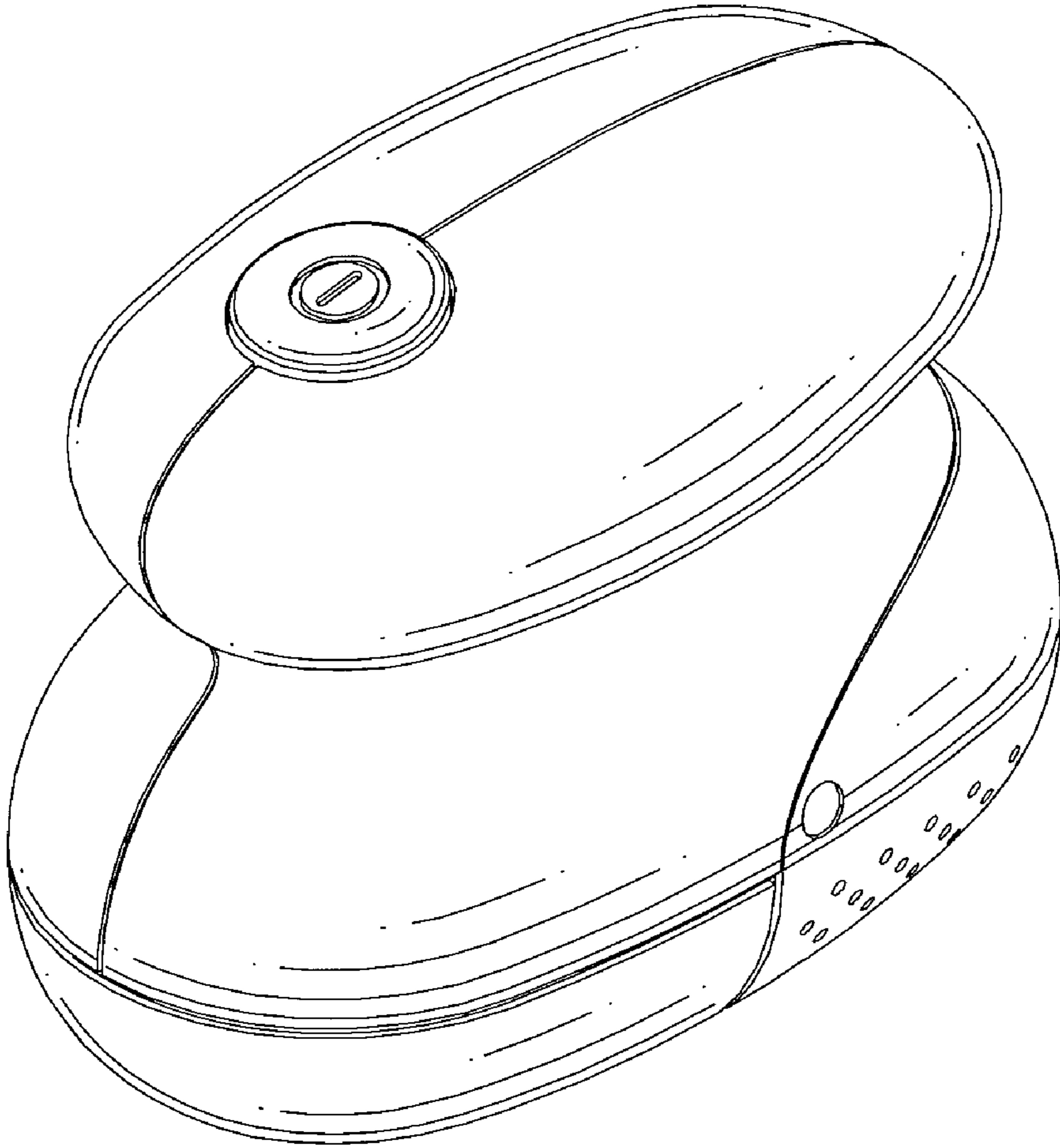


FIG.1

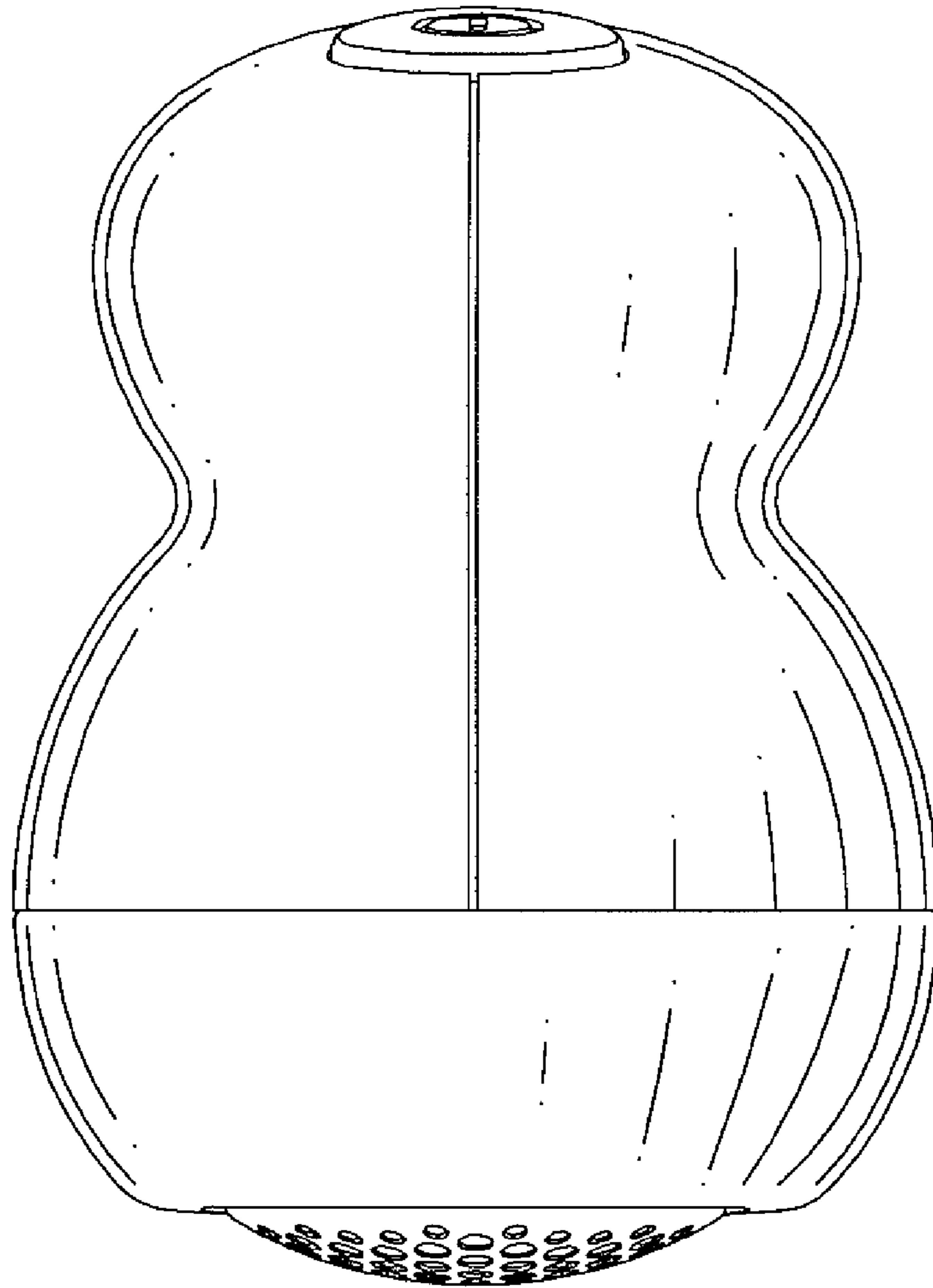


FIG.2

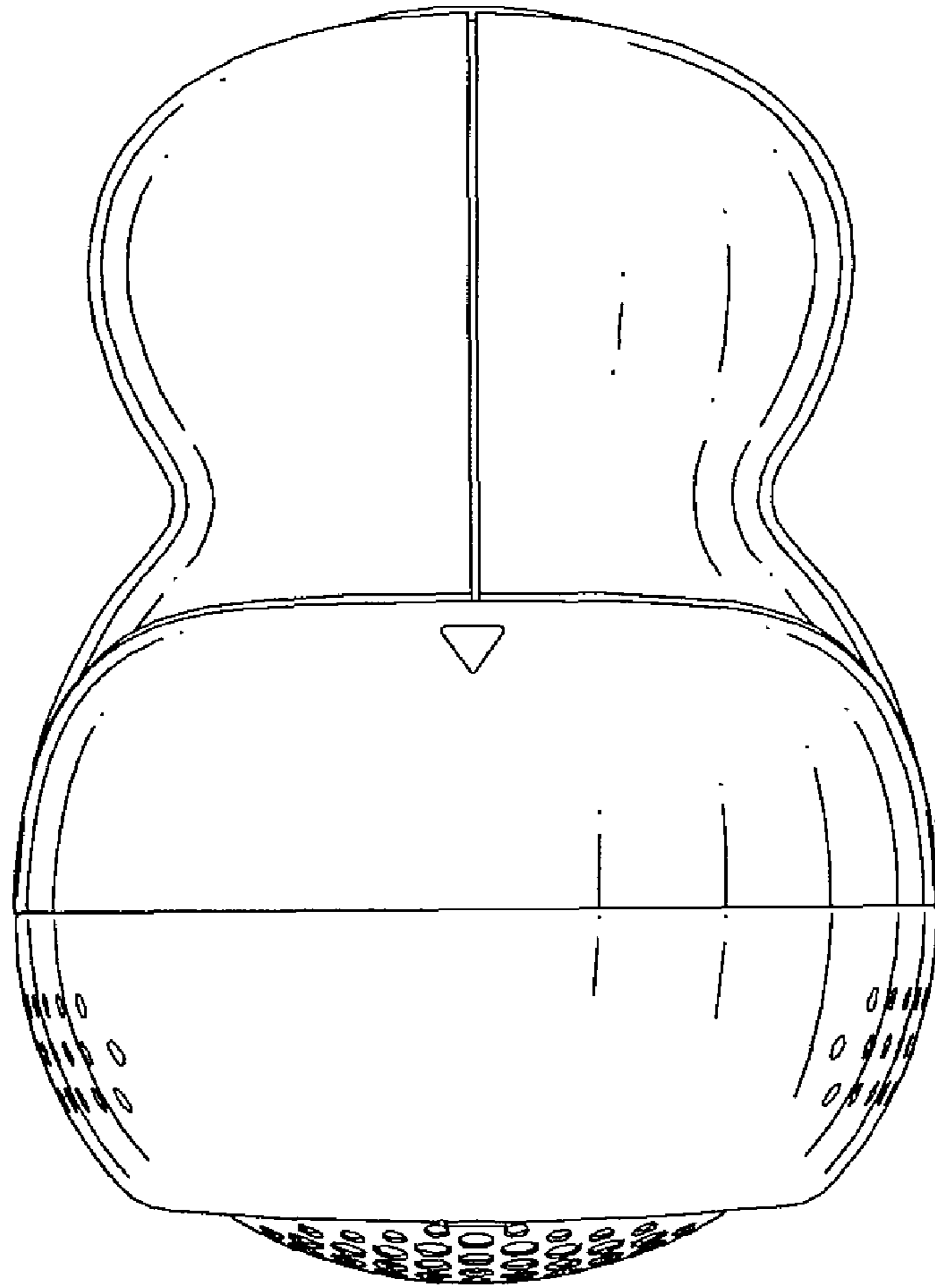


FIG.3

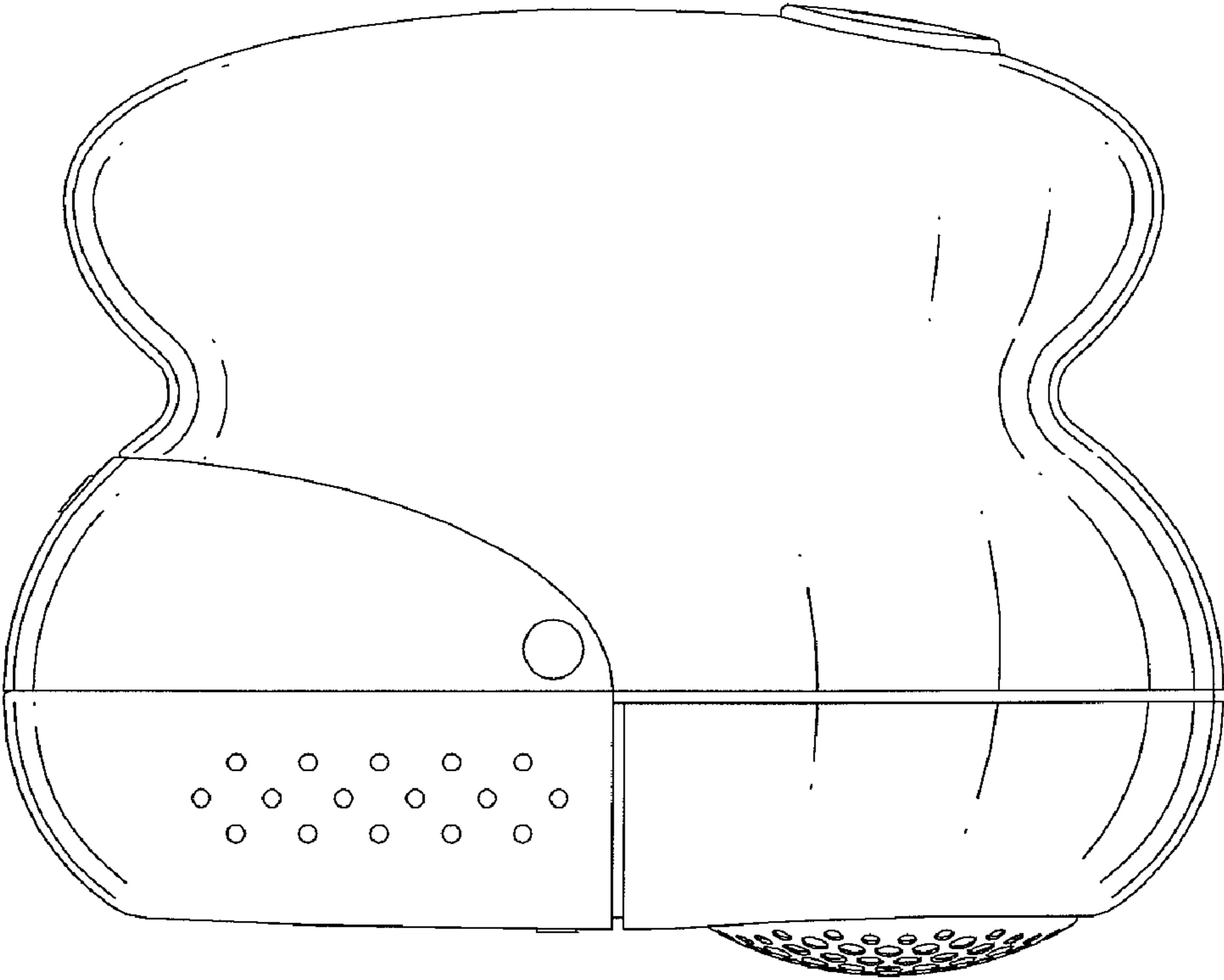


FIG.4

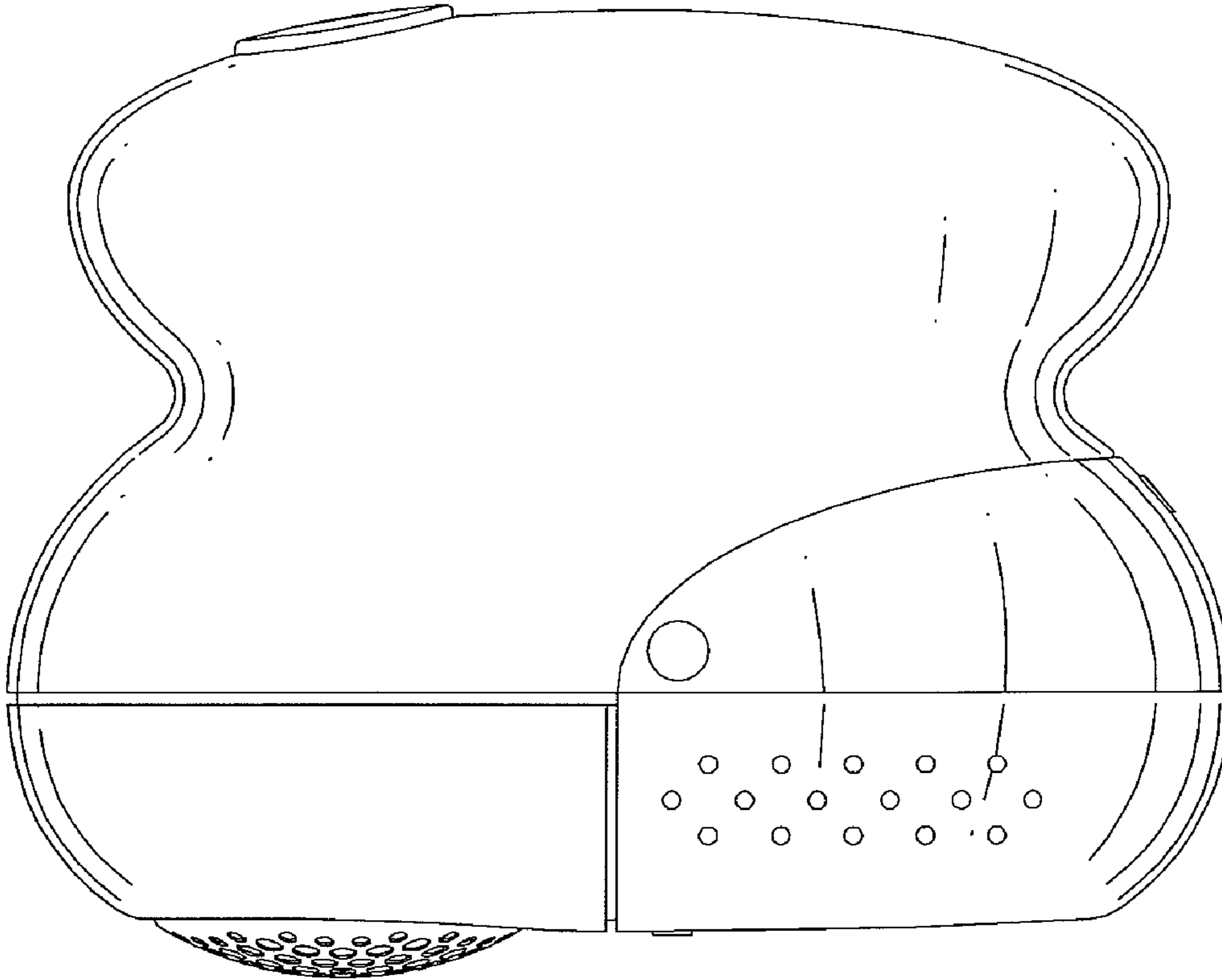


FIG.5

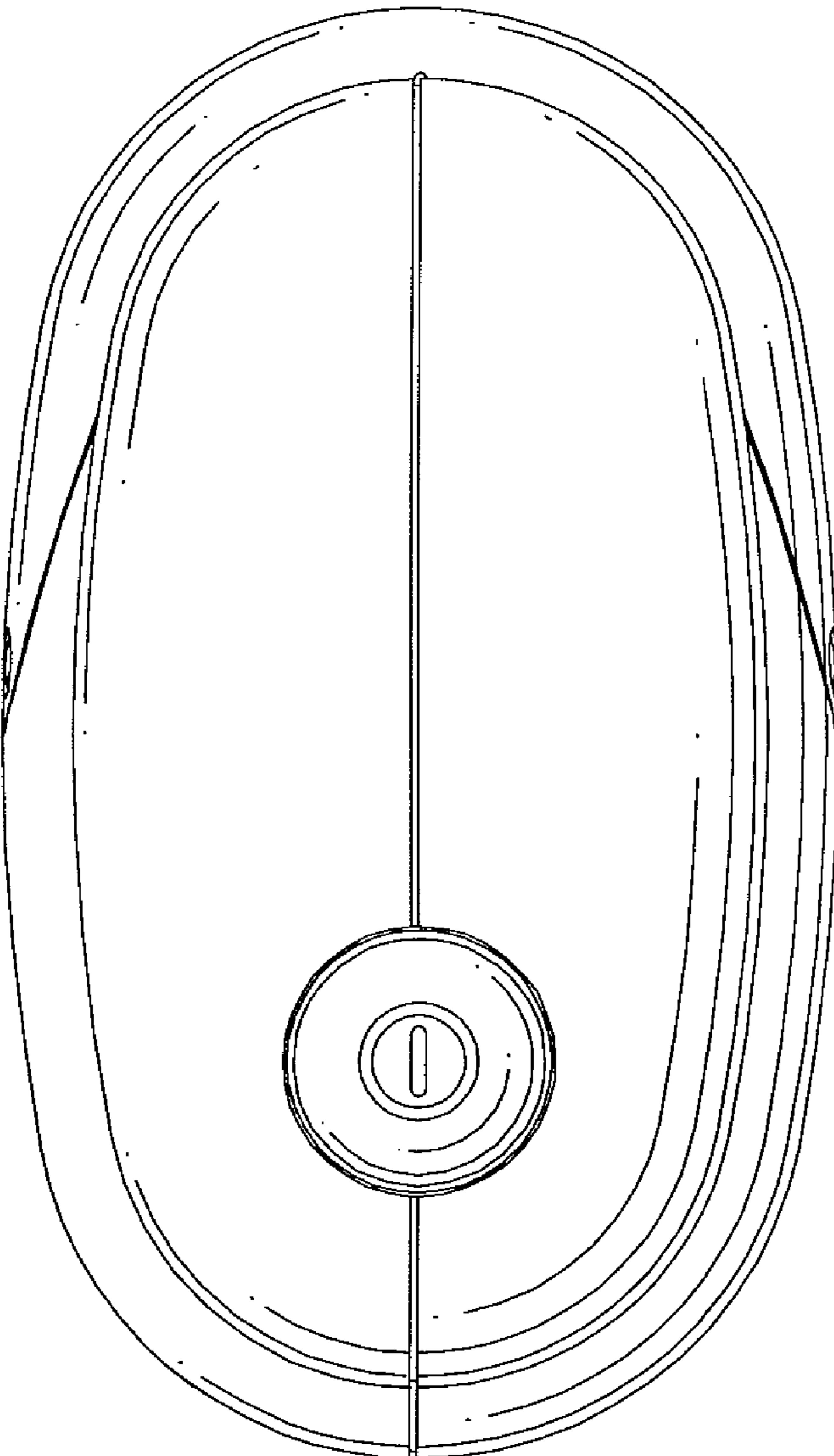


FIG.6



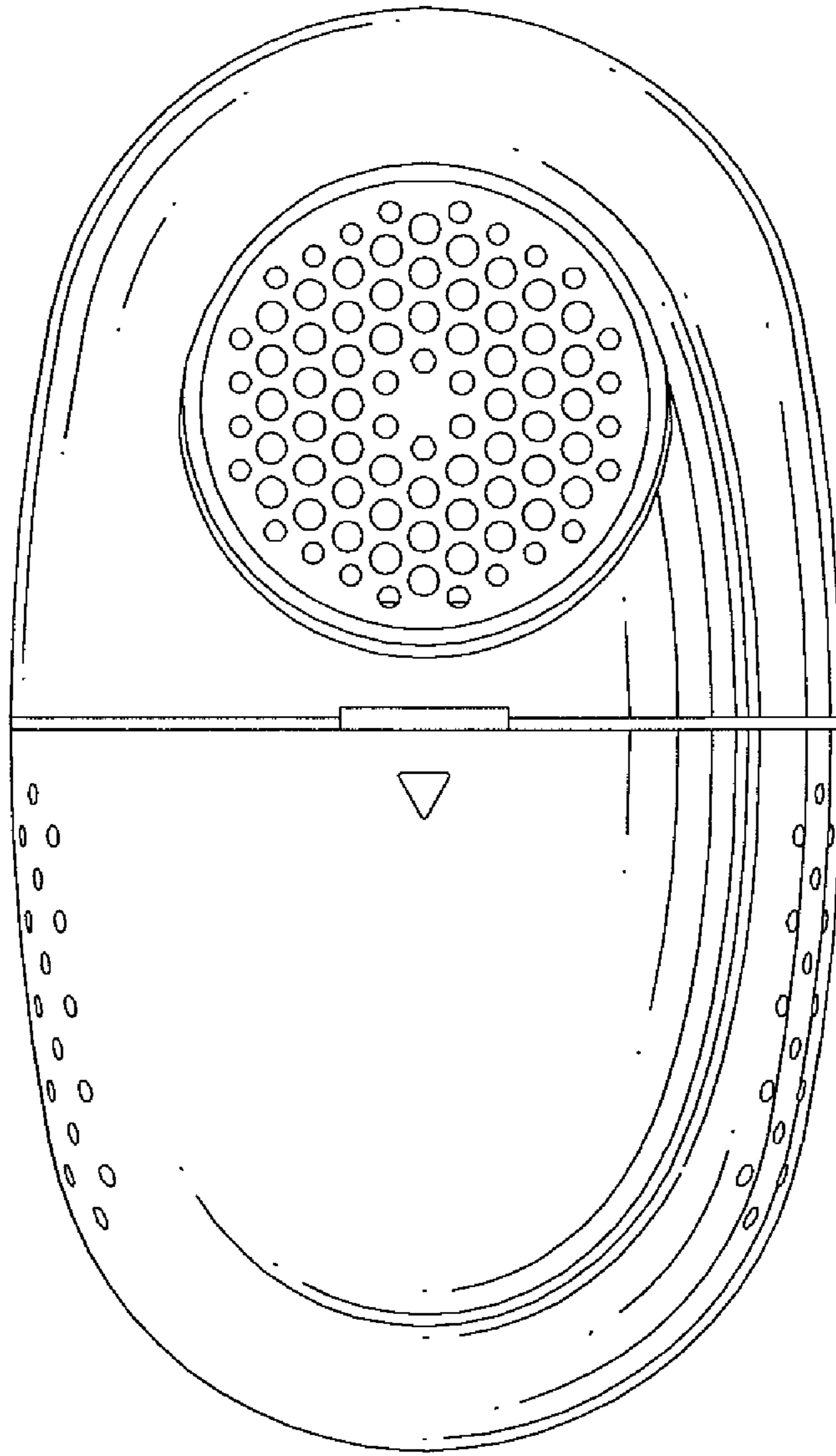


FIG. 7



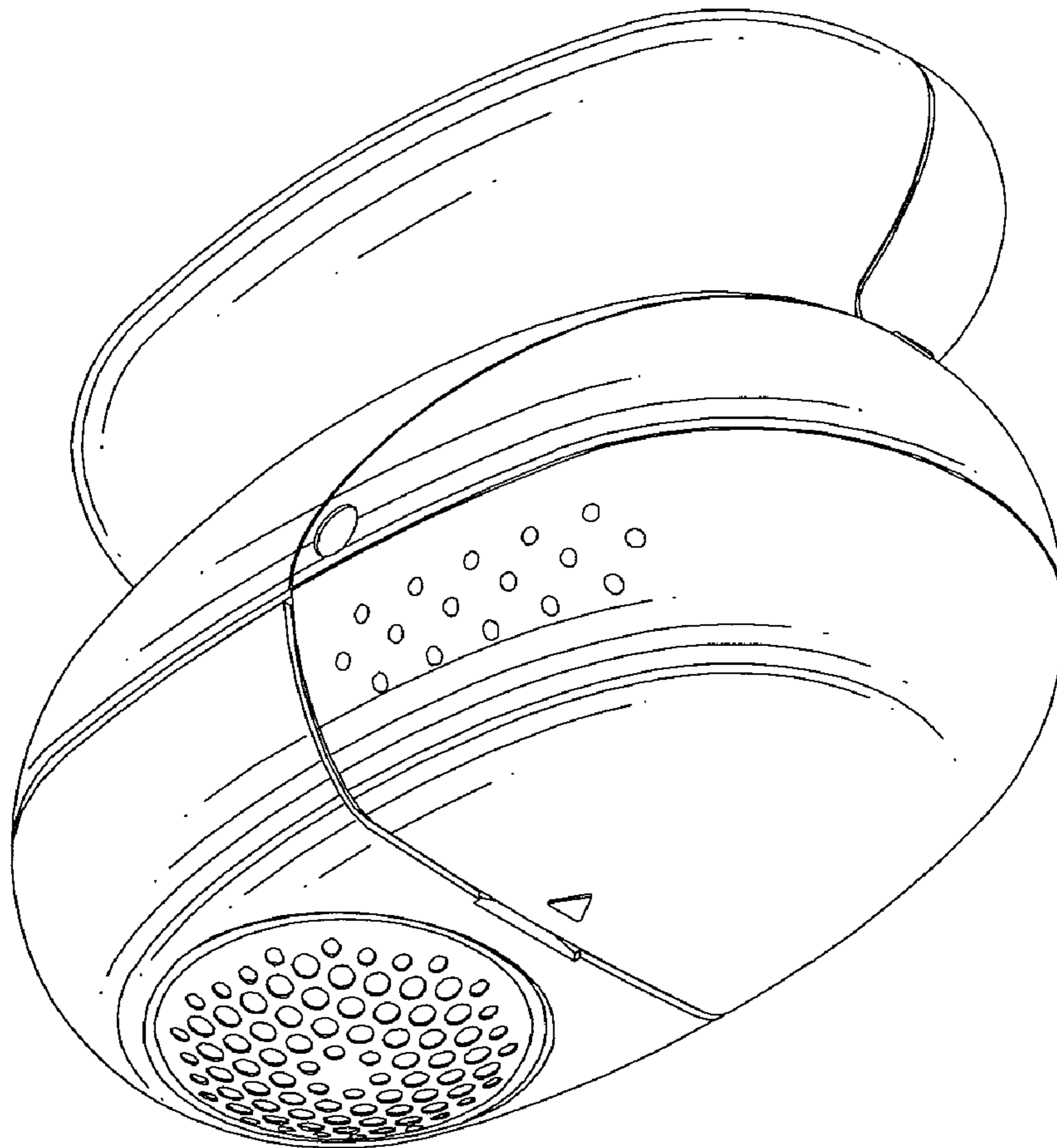


FIG.8