



US00D671263S

(12) **United States Design Patent**
Weigl, Jr.

(10) **Patent No.:** **US D671,263 S**
(45) **Date of Patent:** **** Nov. 20, 2012**

(54) **HEADBAND WITH A DINOSAUR**

(74) *Attorney, Agent, or Firm* — David L. Banner

(76) **Inventor:** **James Anton Weigl, Jr.**, Virginia Beach,
VA (US)

(57) **CLAIM**
The ornamental design for a headband with a dinosaur, as
shown and described.

(**) **Term:** **14 Years**

DESCRIPTION

(21) **Appl. No.:** **29/426,300**

FIG. 1 is a perspective view of a headband with a dinosaur in
accordance with my design;

(22) **Filed:** **Jul. 3, 2012**

FIG. 2 is a front elevational view of the headband with a
dinosaur of FIG. 1;

(51) **LOC (9) Cl.** **28-03**

(52) **U.S. Cl.** **D28/41**

(58) **Field of Classification Search** D28/31–34,
D28/39–43; 132/101, 126, 128–131, 144,
132/148, 219, 273–284; D2/865

FIG. 3 is a rear elevational view of the Headband with a
dinosaur of FIG. 1;

FIG. 4 is a left side elevational view of the headband with a
dinosaur of FIG. 1, a right side elevational view being a mirror
image thereof;

See application file for complete search history.

FIG. 5 is a top plan view of the headband with a dinosaur s of
FIG. 1;

FIG. 6 is a bottom plan view of the headband with a dinosaur
of FIG. 1;

(56) **References Cited**

U.S. PATENT DOCUMENTS

D283,233	S	*	4/1986	Horwitz	D2/866
6,047,709	A	*	4/2000	Tu	132/275
D442,746	S	*	5/2001	Belcher	D29/122
D465,883	S	*	11/2002	Moher	D28/41
6,626,184	B1	*	9/2003	Cheng	132/275
D504,554	S	*	5/2005	Finn	D2/865
D537,984	S	*	3/2007	Steudle et al.	D28/41
D579,606	S	*	10/2008	Scholl et al.	D28/41
D603,584	S	*	11/2009	Porter	D2/865

* cited by examiner

FIG. 7 is a side perspective view of the headband with a
dinosaur of FIG. 1 having an upper portion and a lower
portion thereof rotated with respect to one another;

FIG. 8 is a left side elevational view of the headband with a
dinosaur of FIG. 7, a right side elevational view being a mirror
image thereof;

FIG. 9 is a front elevational view of the headband a dinosaur
of FIG. 7;

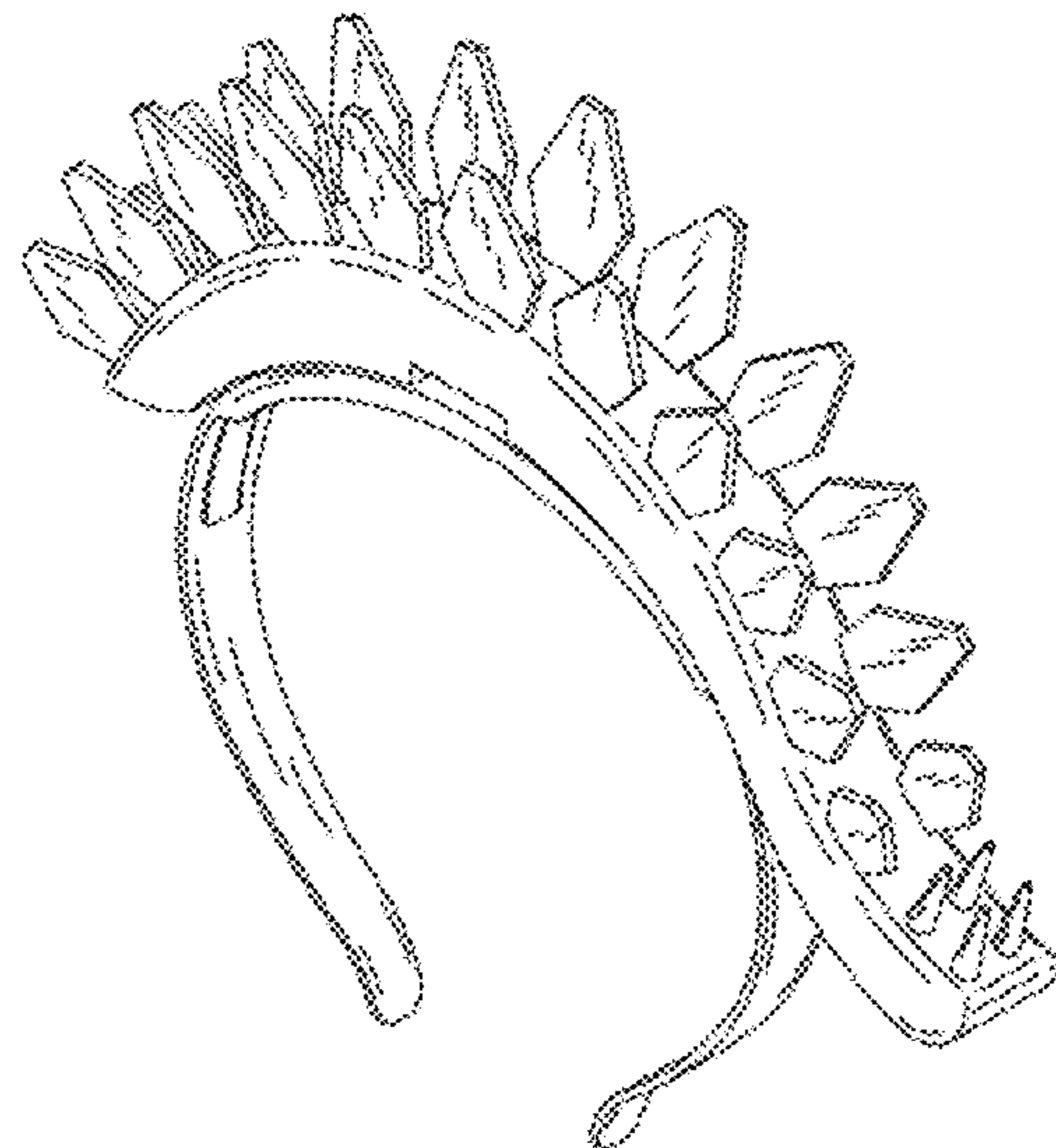
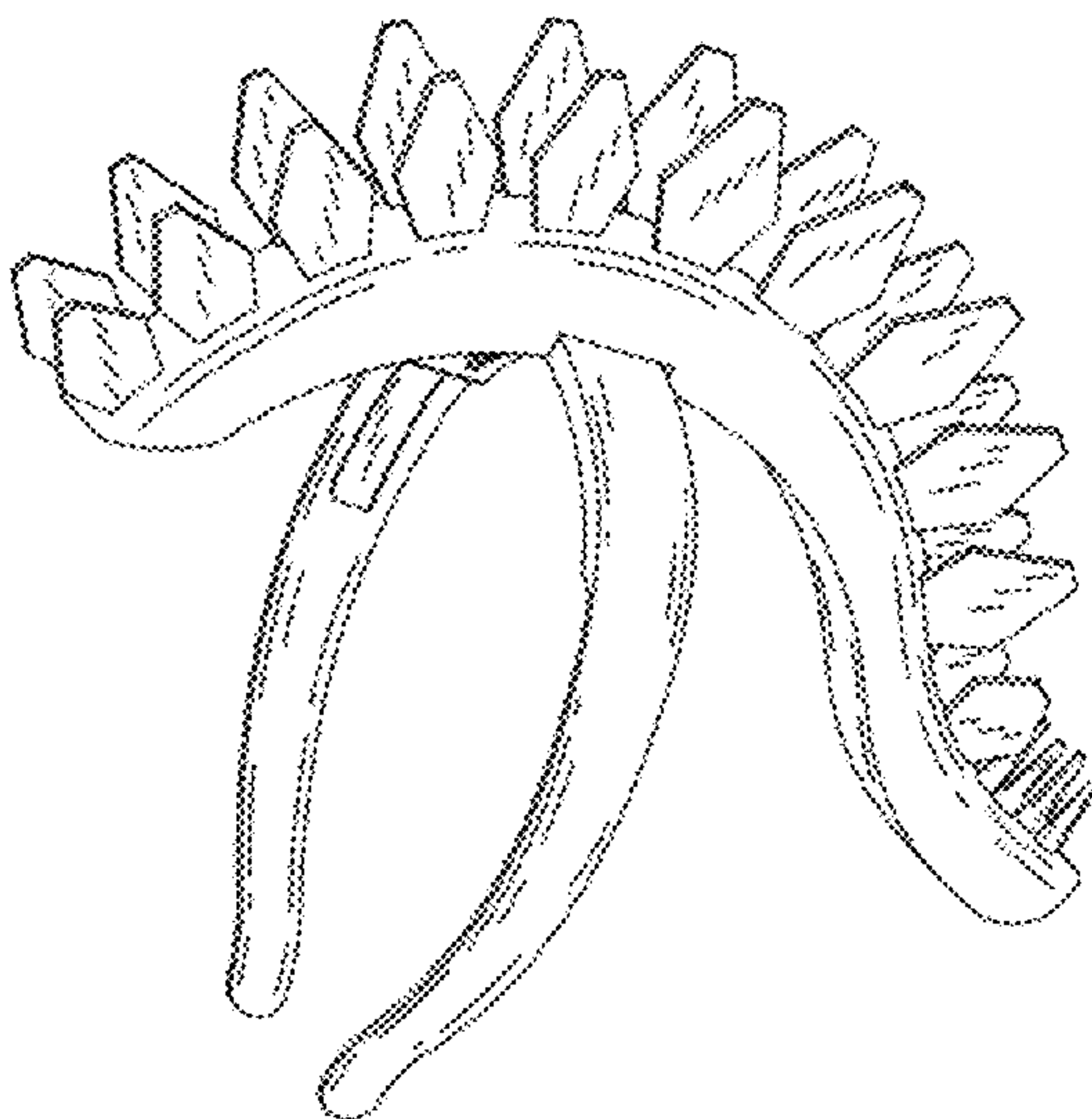
FIG. 10 is a rear elevational view of the headband with a
dinosaur of FIG. 7;

FIG. 11 is a top plan view of the headband with a dinosaur of
FIG. 7; and,

FIG. 12 is a bottom plan view of the headband with a dinosaur
of FIG. 7.

Primary Examiner — Zenia Bennett

1 Claim, 6 Drawing Sheets



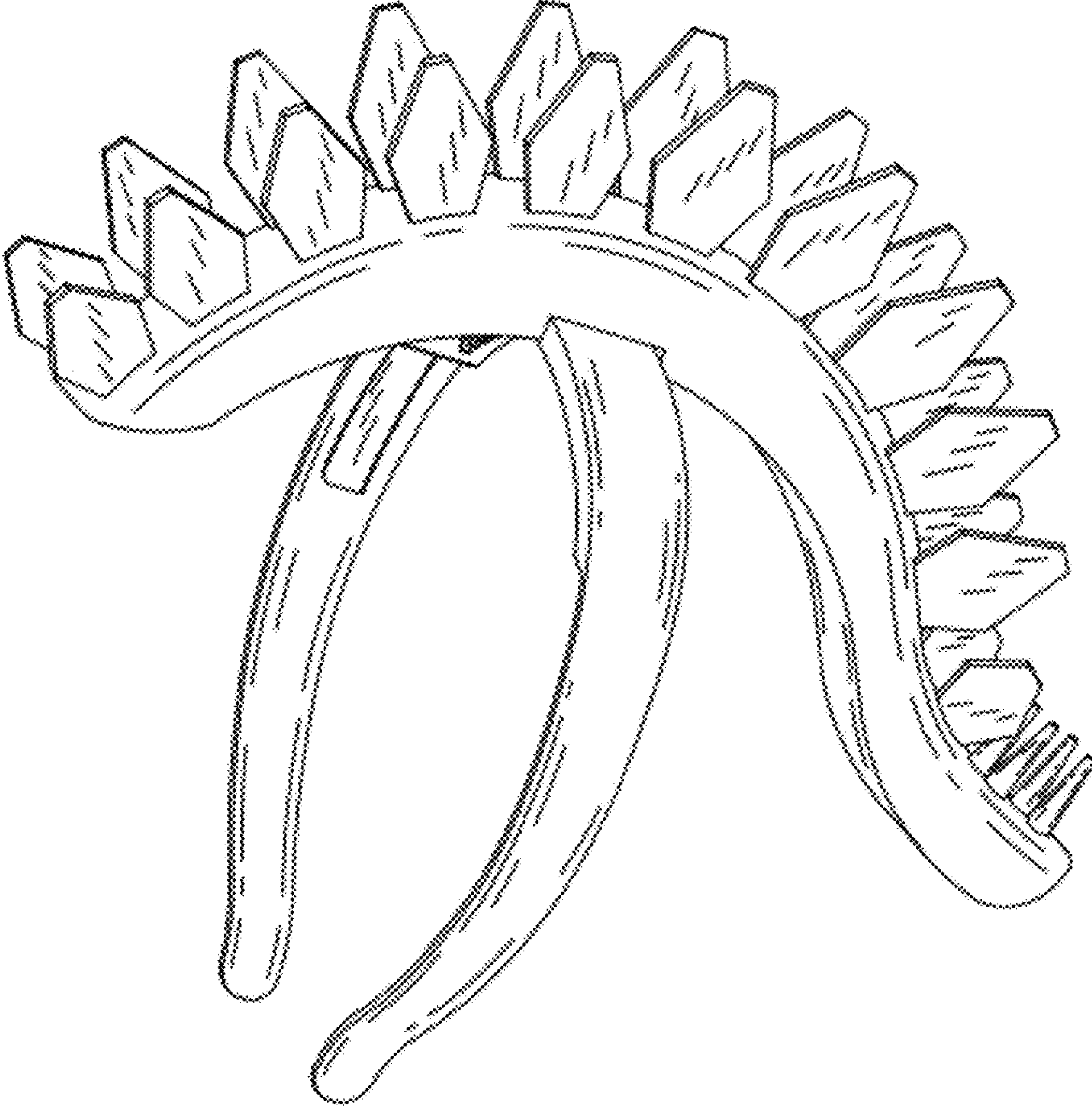


FIG. 1

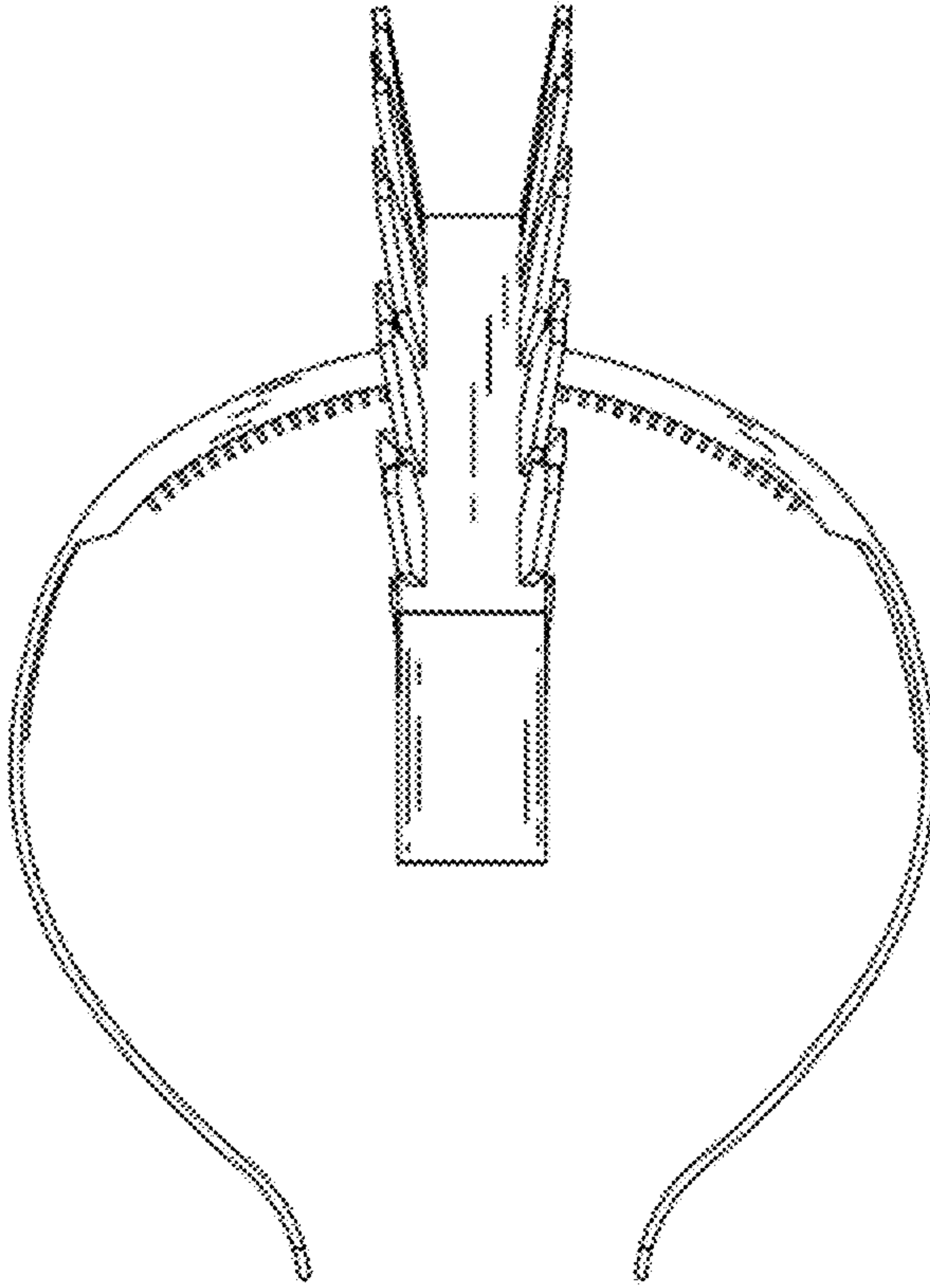


FIG. 2

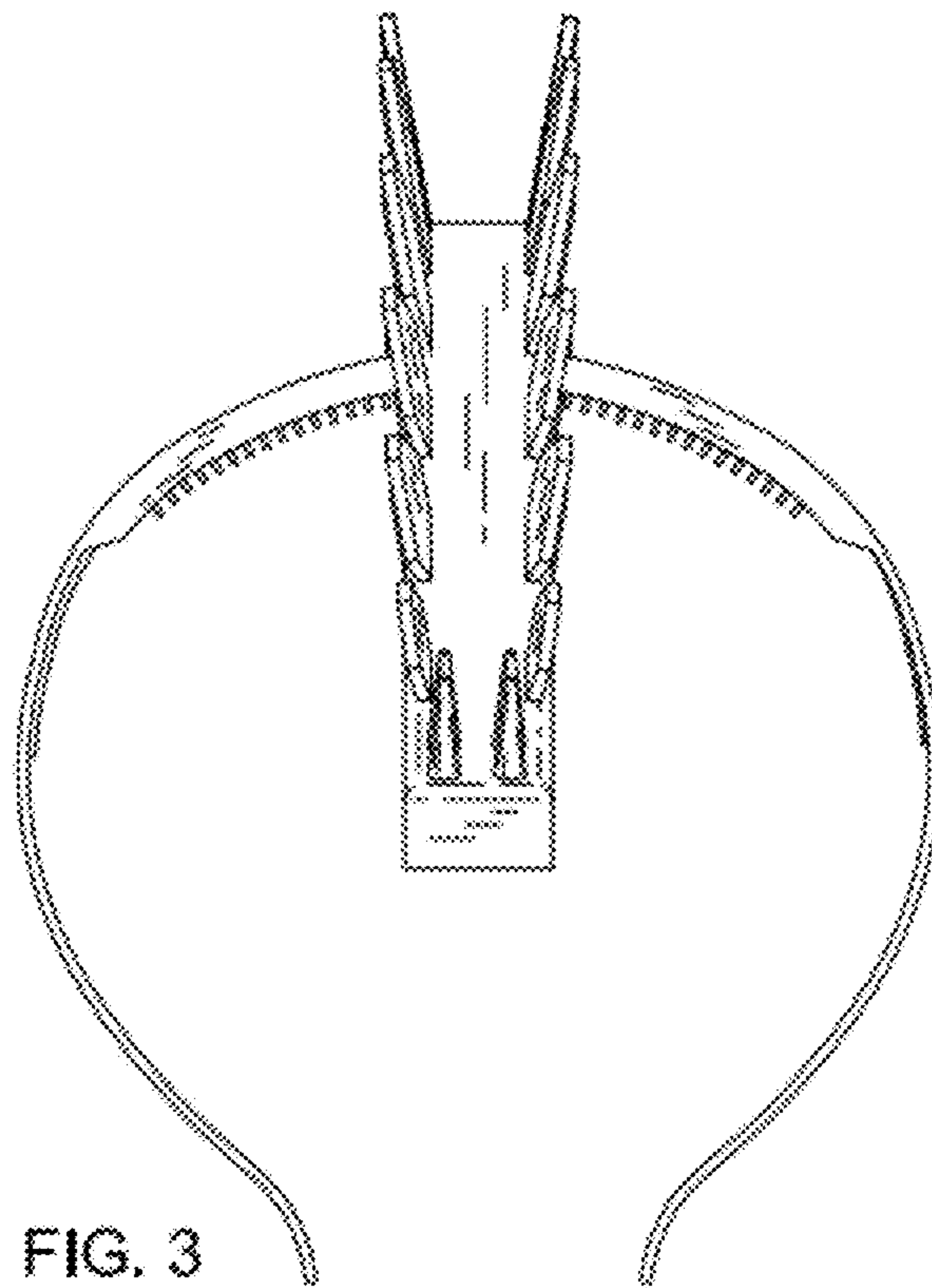


FIG. 3

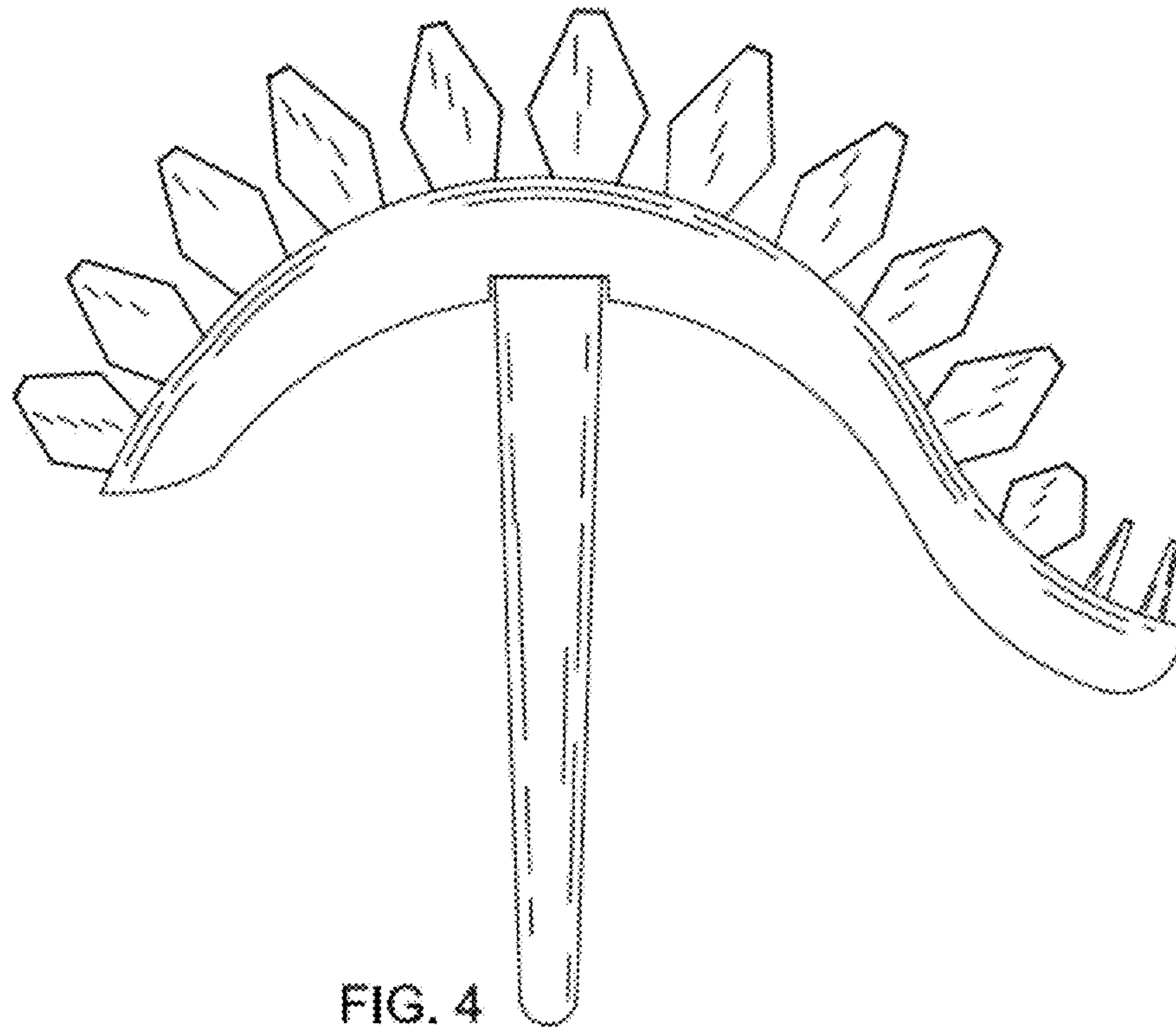


FIG. 4

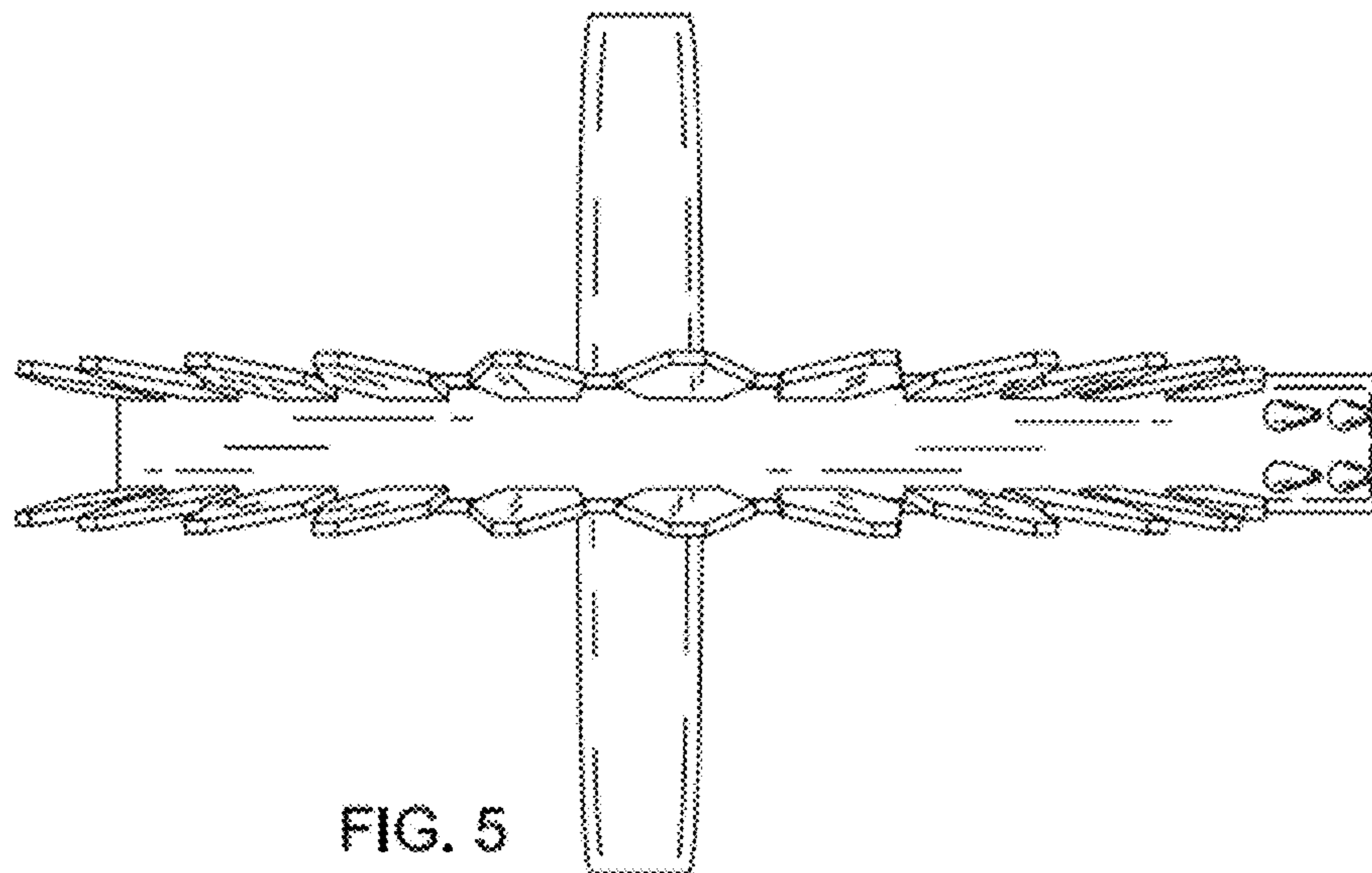


FIG. 5

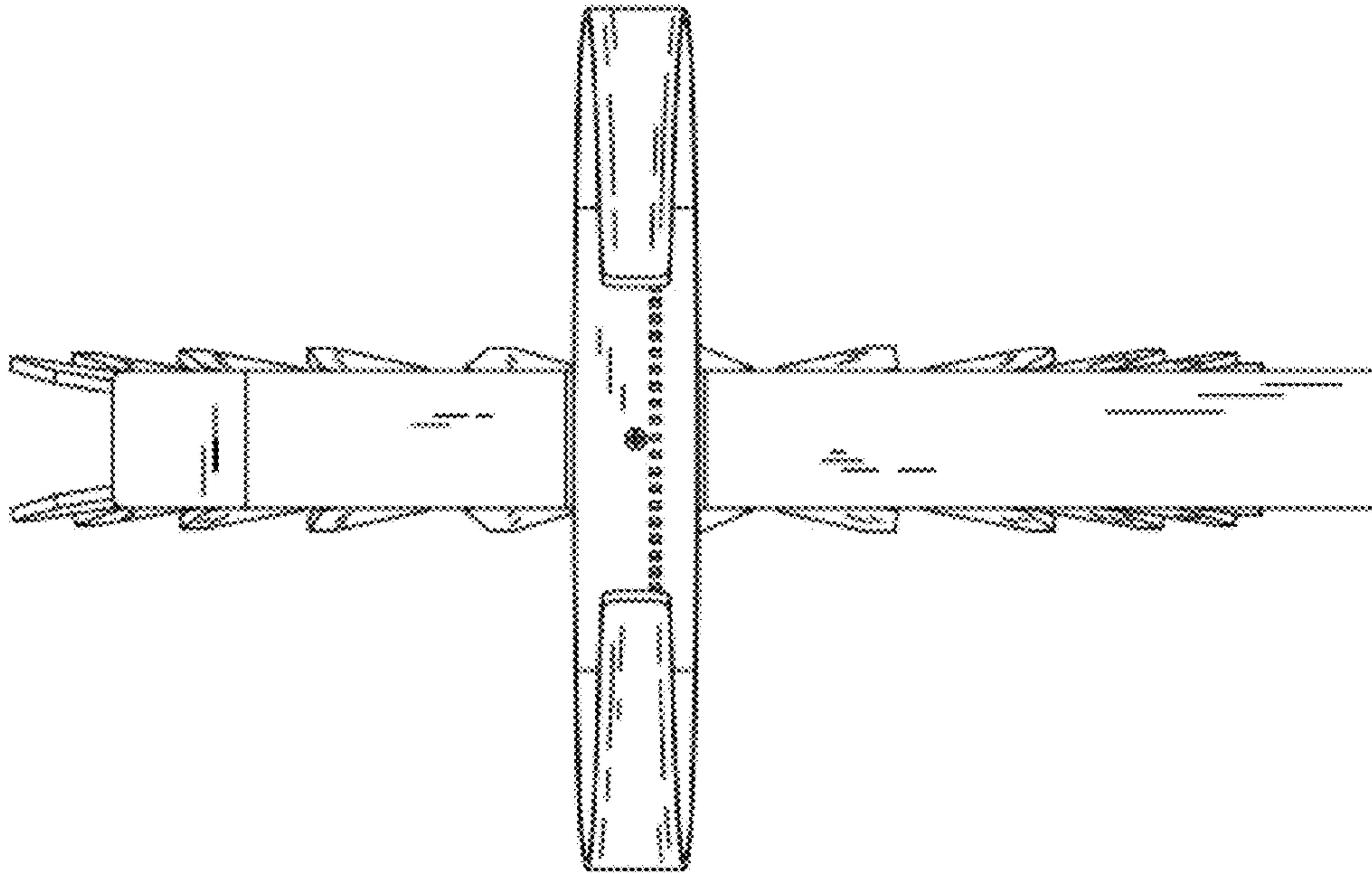


FIG. 6

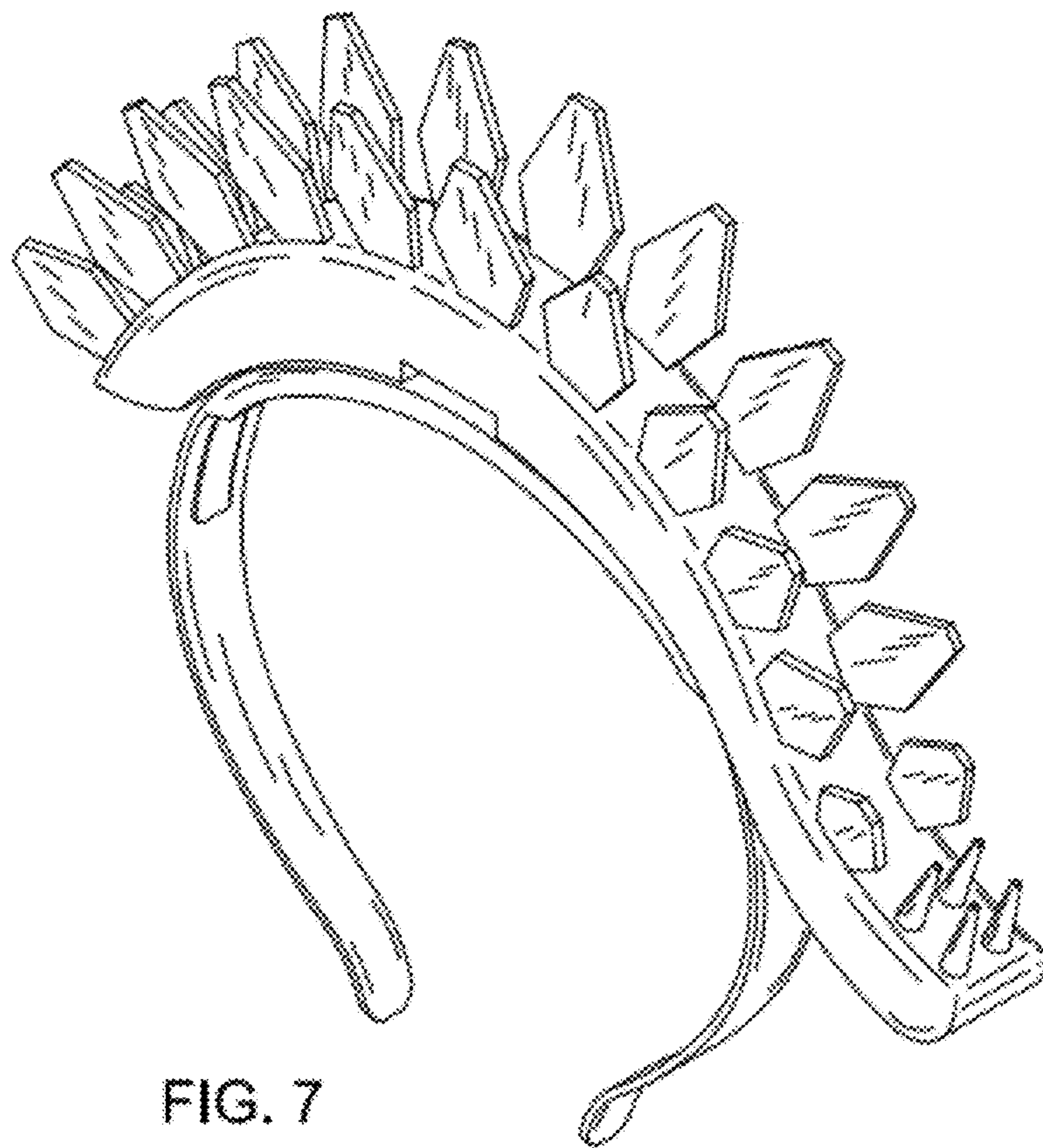


FIG. 7

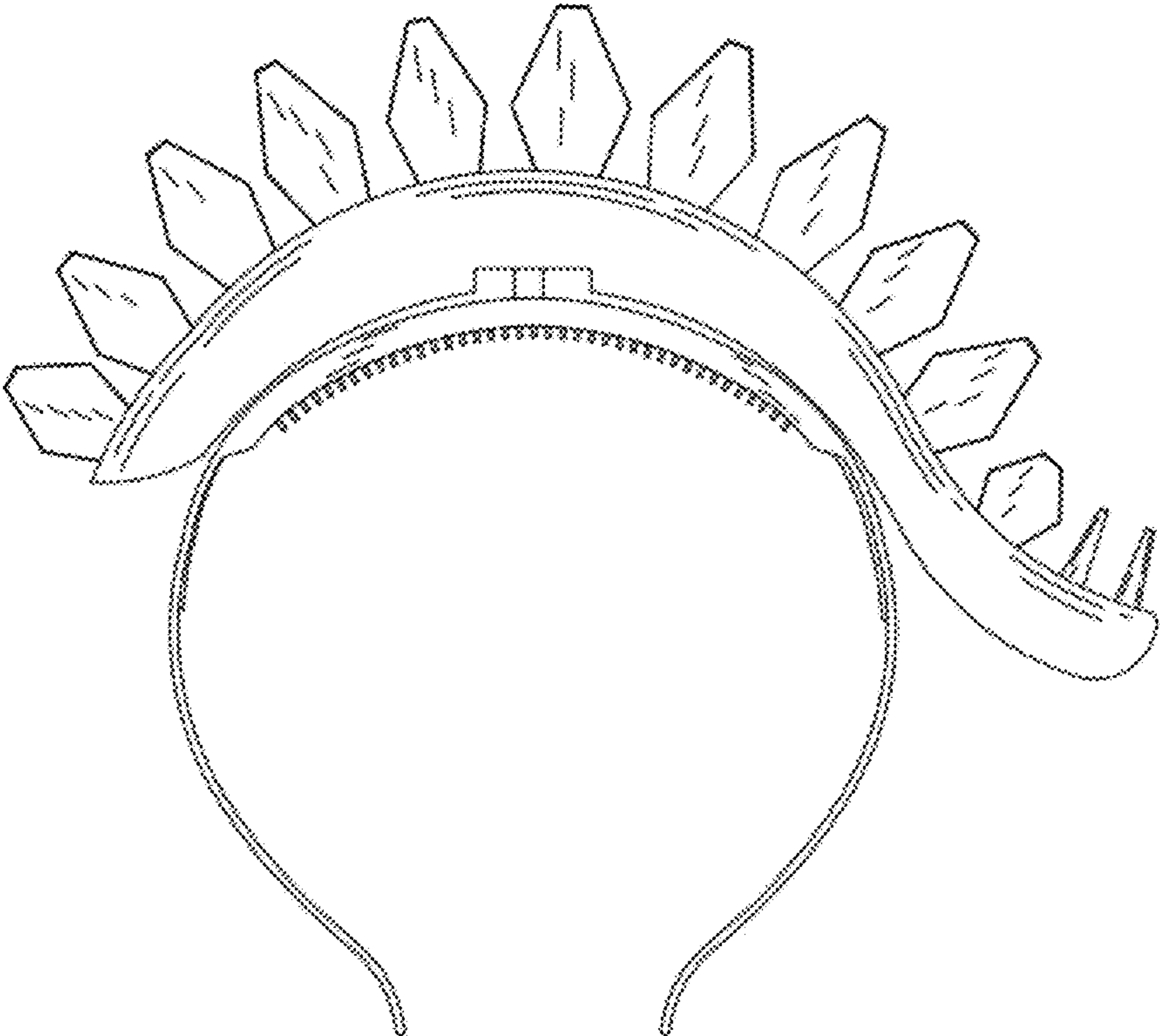


FIG. 8

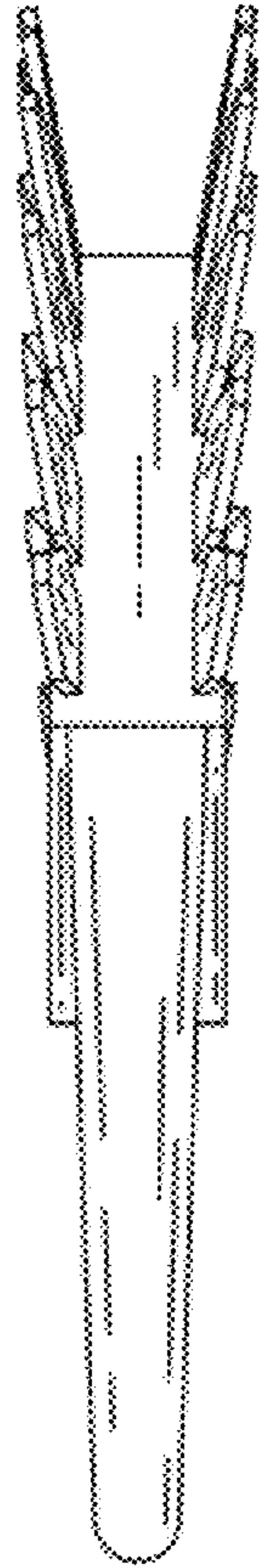


FIG. 9

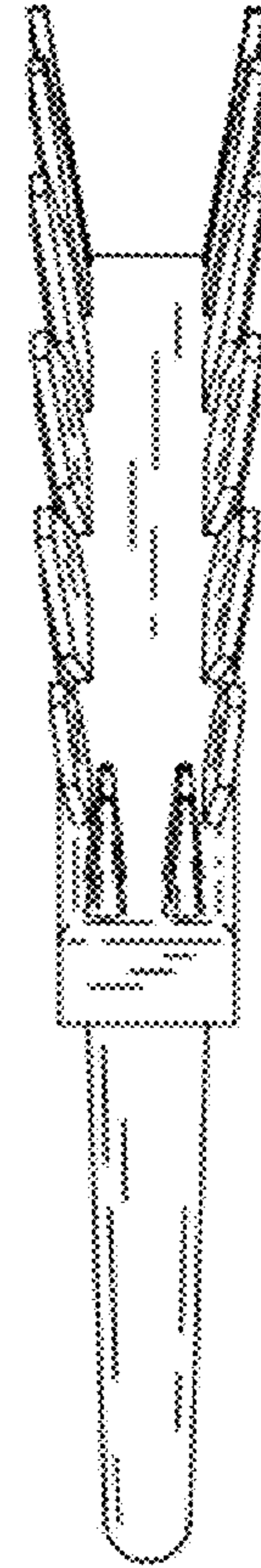


FIG. 10

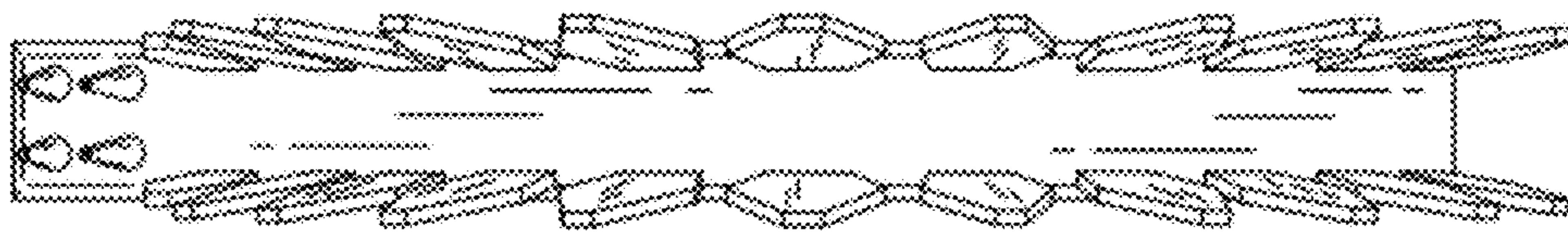


FIG. 11

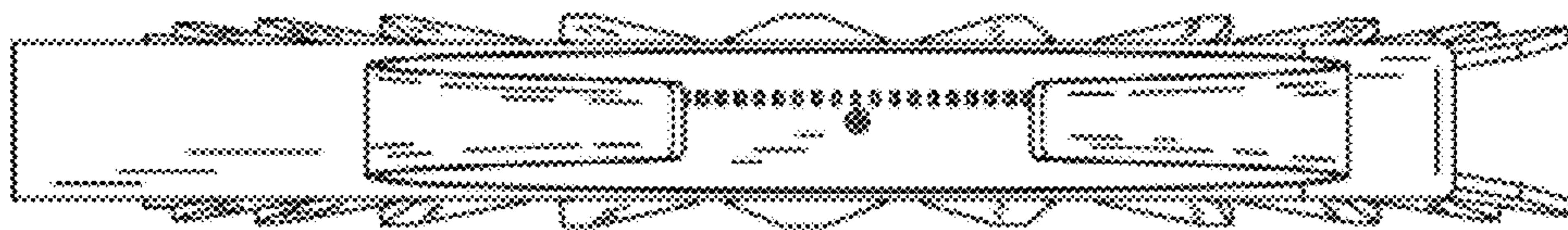


FIG. 12