



US00D671261S

(12) **United States Design Patent**
Parodi

(10) **Patent No.:** **US D671,261 S**

(45) **Date of Patent:** **** Nov. 20, 2012**

(54) **SILENCER FOR HAND -HELD ELECTRIC HAIR DRYER**

(75) Inventor: **Paolo Parodi**, Milan (IT)

(73) Assignee: **Parlux SpA**, Trezzano Sul Naviglio (Milan) (IT)

(**) Term: **14 Years**

(21) Appl. No.: **29/401,479**

(22) Filed: **Sep. 12, 2011**

(30) **Foreign Application Priority Data**

Mar. 10, 2011 (EM) 1833369-0001
(51) **LOC (9) Cl.** **28-03**
(52) **U.S. Cl.** **D28/18**
(58) **Field of Classification Search** D28/12-19;
34/96-101; 392/380-385; 219/222; 181/212
See application file for complete search history.

(56) **References Cited**

U.S. PATENT DOCUMENTS

D518,919 S * 4/2006 Parodi D28/13
D528,698 S * 9/2006 Rizzuto, Jr. D28/13

D615,243 S * 5/2010 Parodi D28/13
2011/0016737 A1* 1/2011 Gaillard et al. 34/97
2012/0024620 A1* 2/2012 Parodi 181/212

* cited by examiner

Primary Examiner — Zenia Bennett

(74) *Attorney, Agent, or Firm* — Jacobson Holman PLLC

(57) **CLAIM**

I claim the ornamental design for the silencer for hand-held electric hair dryer, substantially as shown and described.

DESCRIPTION

FIG. 1 is a side elevation view of the silencer for hand-held electric hair dryer showing my new design, the opposite side being identical;
FIG. 2 is a side elevation view of FIG. 1 rotated by 90 degrees, the opposite side being identical;
FIG. 3 is a top plan view of FIG. 1;
FIG. 4 is a front perspective view of FIG. 1;
FIG. 5 is a bottom plan view of FIG. 1; and,
FIG. 6 is a bottom perspective view of FIG. 1.

1 Claim, 6 Drawing Sheets

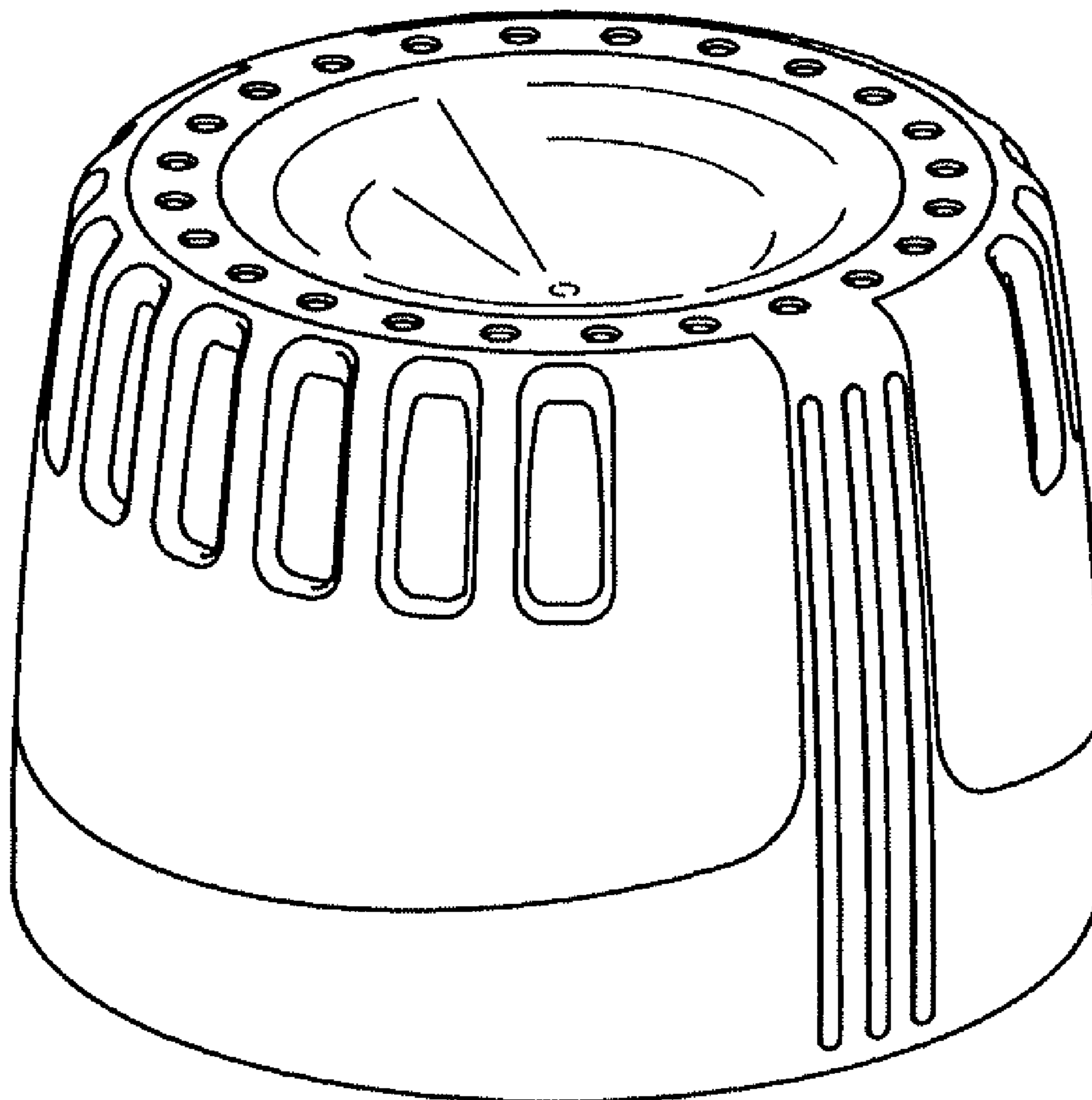


FIG. 1

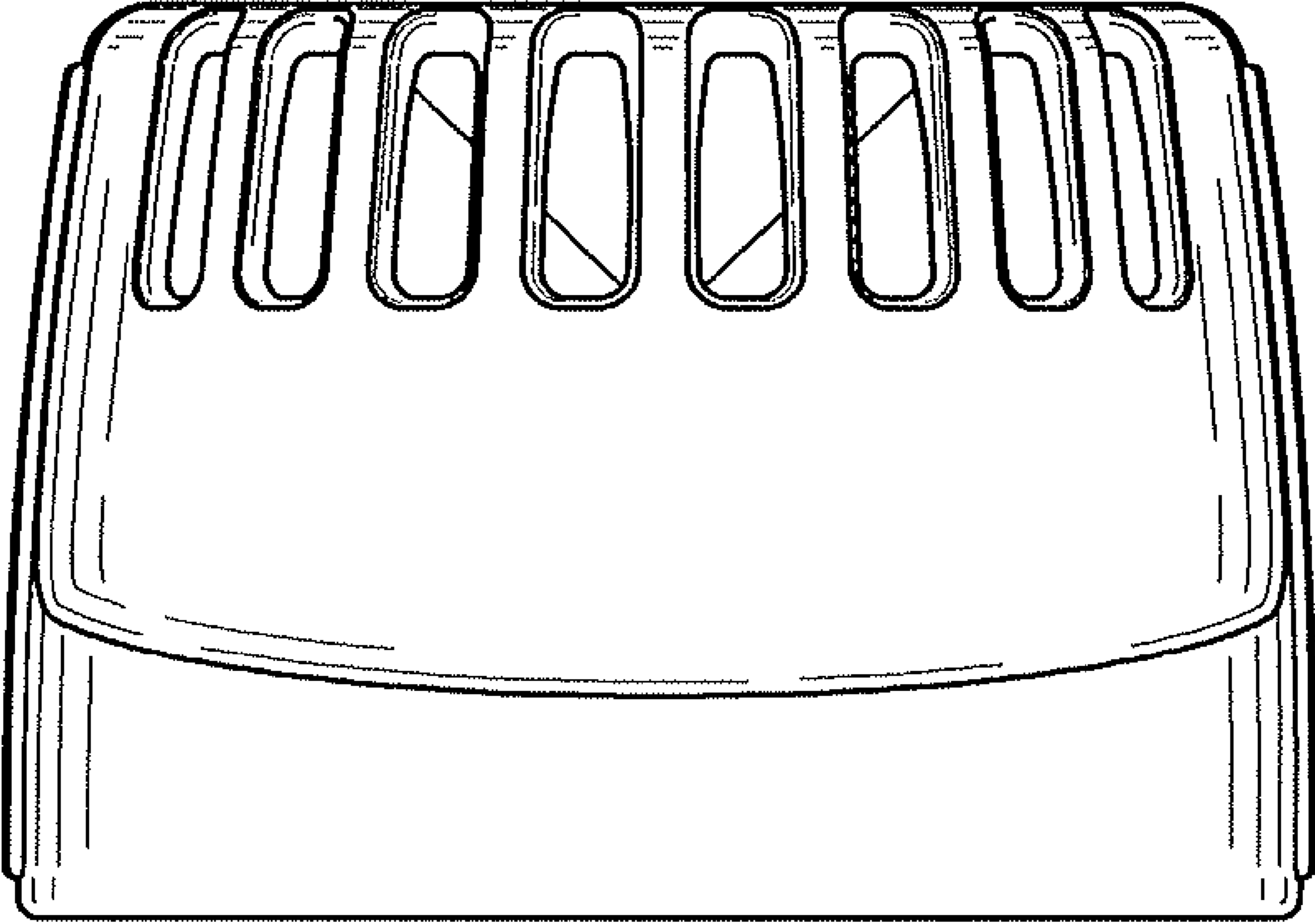


FIG. 2

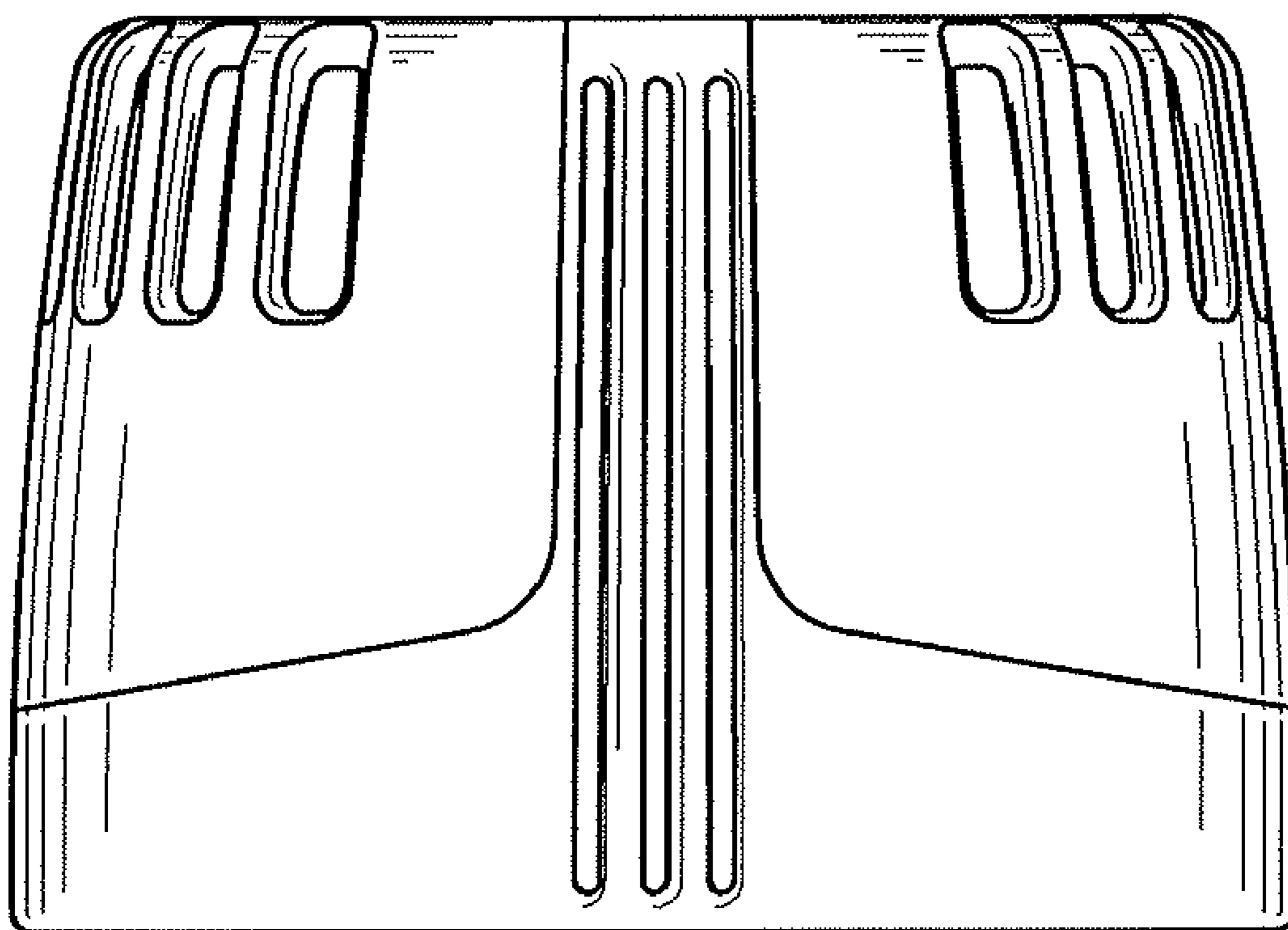


FIG. 3

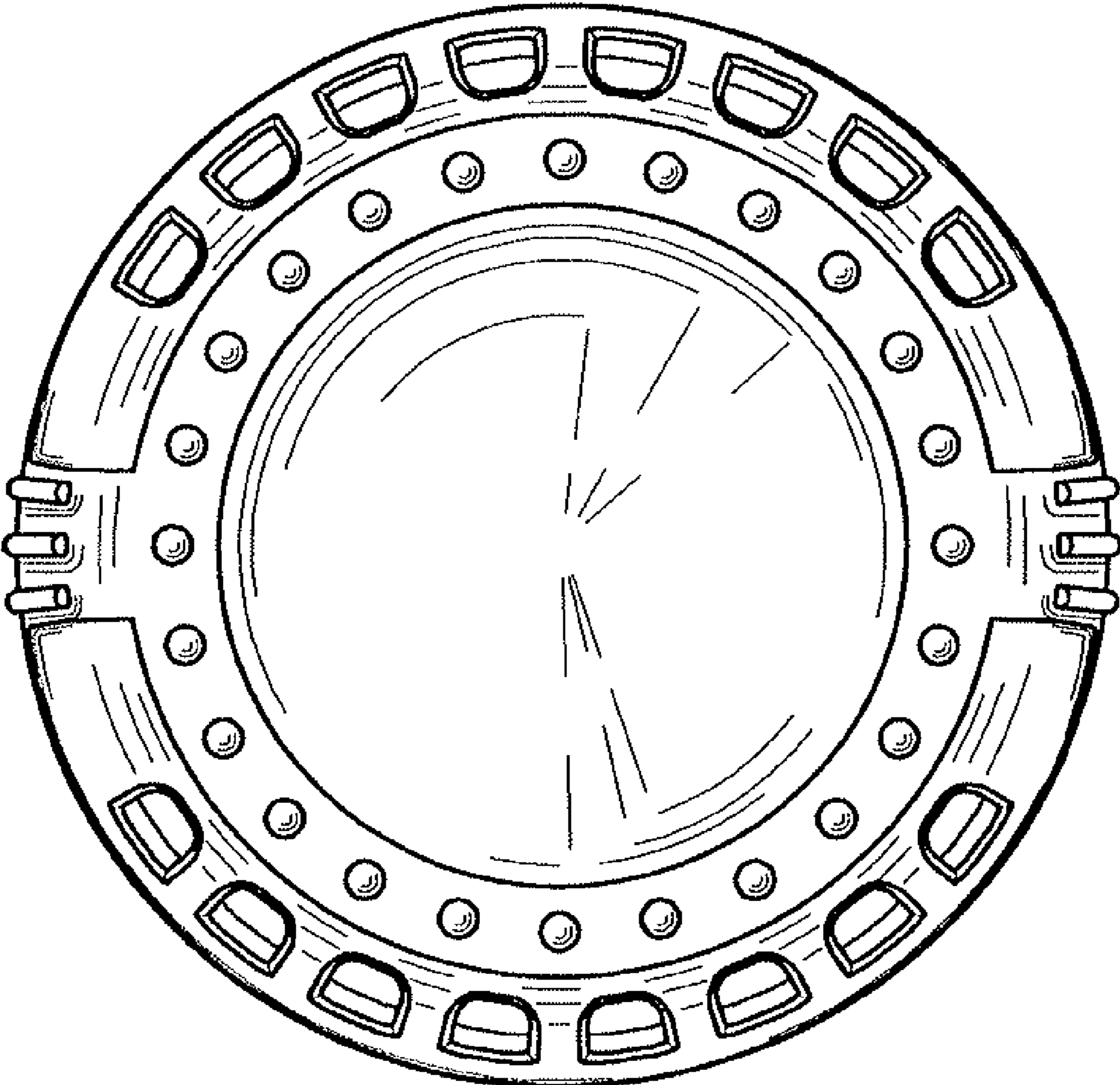


FIG. 4

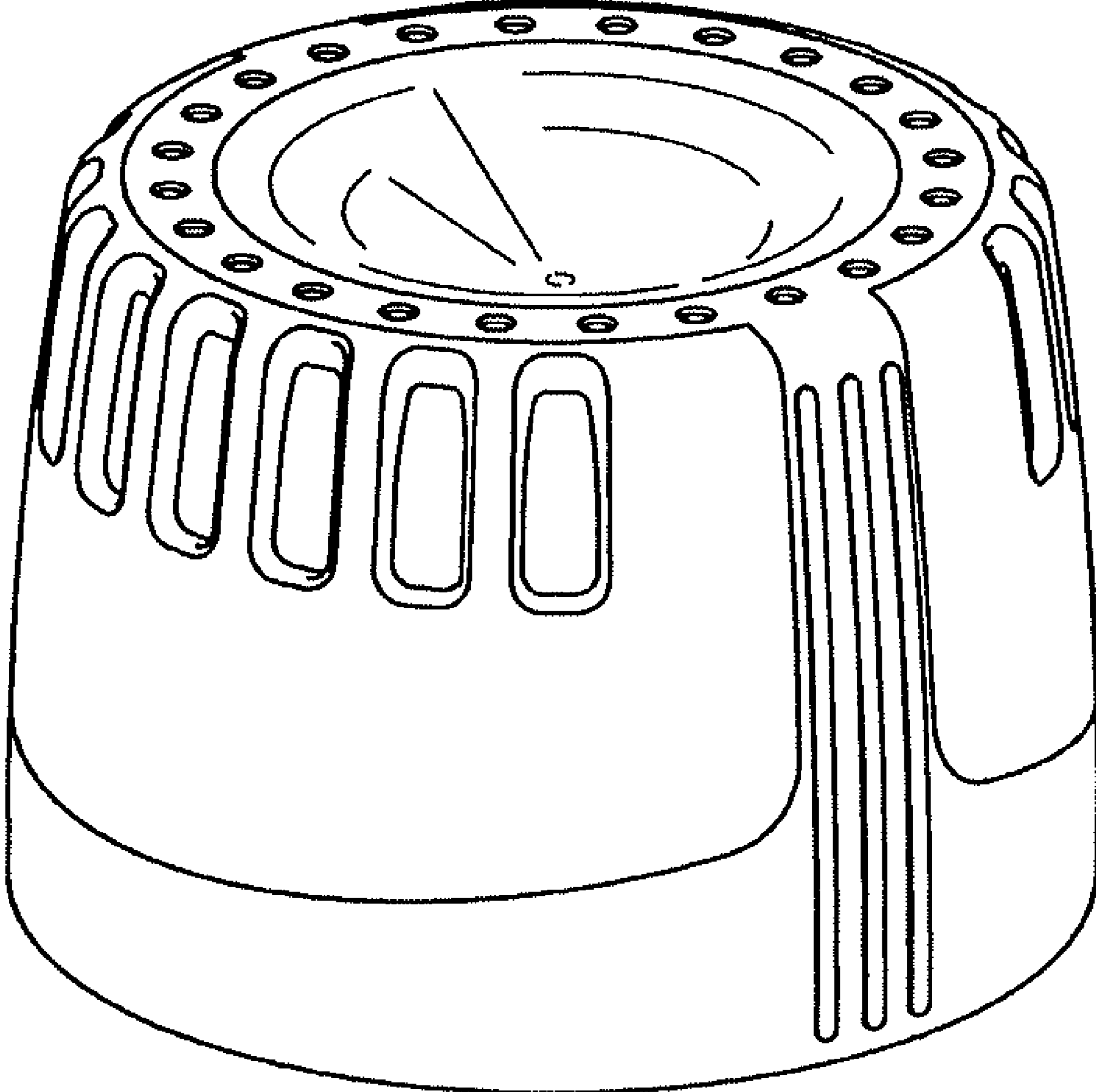


FIG. 5

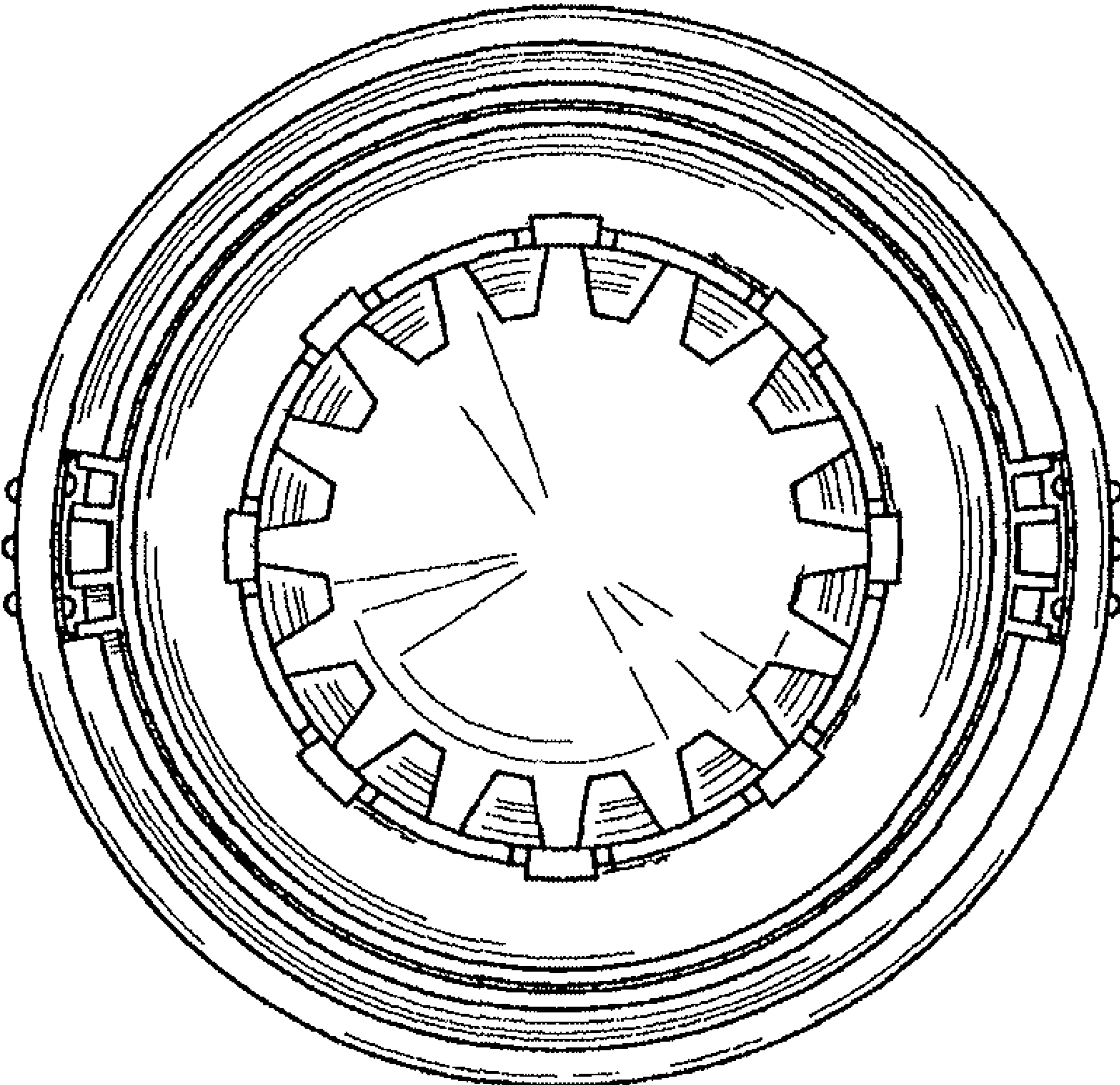


FIG. 6

