



US00D671259S

(12) **United States Design Patent**
Chen

(10) **Patent No.:** **US D671,259 S**

(45) **Date of Patent:** **** Nov. 20, 2012**

(54) **NON-OPAQUE LIGHT COVER FOR A LIGHT
FIXTURE**

(75) Inventor: **Paul Chen**, New Taipei (TW)

(73) Assignee: **Honesty Lighting, Inc.**, New Taipei
(TW)

(**) Term: **14 Years**

(21) Appl. No.: **29/408,328**

(22) Filed: **Dec. 9, 2011**

(51) **LOC (9) Cl.** **26-99**

(52) **U.S. Cl.** **D26/135; D26/89**

(58) **Field of Classification Search** D26/59,
D26/71, 74, 76, 85, 87, 89, 90, 128, 135;
D23/377, 379, 411; 362/147, 148, 365, 453-456,
362/479, 483, 488, 490

See application file for complete search history.

(56) **References Cited**

U.S. PATENT DOCUMENTS

1,505,559	A *	8/1924	Grant	362/355
1,508,184	A *	9/1924	Harrison	362/300
D169,972	S *	7/1953	Glatthar et al.	D26/89
D170,084	S *	7/1953	Glatthar et al.	D26/89
D232,376	S *	8/1974	Yahraus et al.	D26/24
4,071,749	A *	1/1978	Balogh	362/20
D263,761	S *	4/1982	Glassman	D26/83
D301,628	S *	6/1989	Fuller	D26/28
D309,956	S *	8/1990	Sikora et al.	D26/123
5,174,648	A *	12/1992	Clary et al.	362/228
D343,251	S *	1/1994	Fouke et al.	D26/88
D352,797	S *	11/1994	Mehaffey	D26/85
D375,379	S *	11/1996	DiCola et al.	D26/85
D376,220	S *	12/1996	Pearce et al.	D26/85

5,662,407	A *	9/1997	Fischer et al.	362/147
D405,207	S *	2/1999	Mora	D26/85
D427,713	S *	7/2000	Dolan	D26/135
D444,903	S *	7/2001	Wang	D26/85
D456,931	S *	5/2002	Shimada	D26/85
D499,505	S *	12/2004	Benensohn	D26/89
D505,721	S *	5/2005	Pickett	D23/411
D509,617	S *	9/2005	Benghozi	D26/89
D533,292	S *	12/2006	Hidalgo	D26/59
D608,044	S *	1/2010	Pickett	D26/89

OTHER PUBLICATIONS

Plizy 4-light flushmount wall sconce shown on p. 144 of the Eurofase Illuminations Catalog #MKT-CAT-EF09. © 2009. (2 pages, includes rear cover of catalog).*

* cited by examiner

Primary Examiner — Clare E Heflin

(74) *Attorney, Agent, or Firm* — Senniger Powers LLP

(57) **CLAIM**

The ornamental design for a non-opaque light cover for a light fixture, as shown and described.

DESCRIPTION

FIG. 1 is a perspective of a non-opaque light cover, a base of the light cover for use in securing the light cover to a light fixture body being shown in broken lines;
FIG. 2 is a front elevational view of the light cover, the back, left, and right elevational views being identical to the front elevational view;
FIG. 3 is a top plan view of the light cover; and,
FIG. 4 is a bottom plan view of the light cover.
The broken lines in the drawings indicate environmental structures which form no part of the claimed design.

1 Claim, 4 Drawing Sheets

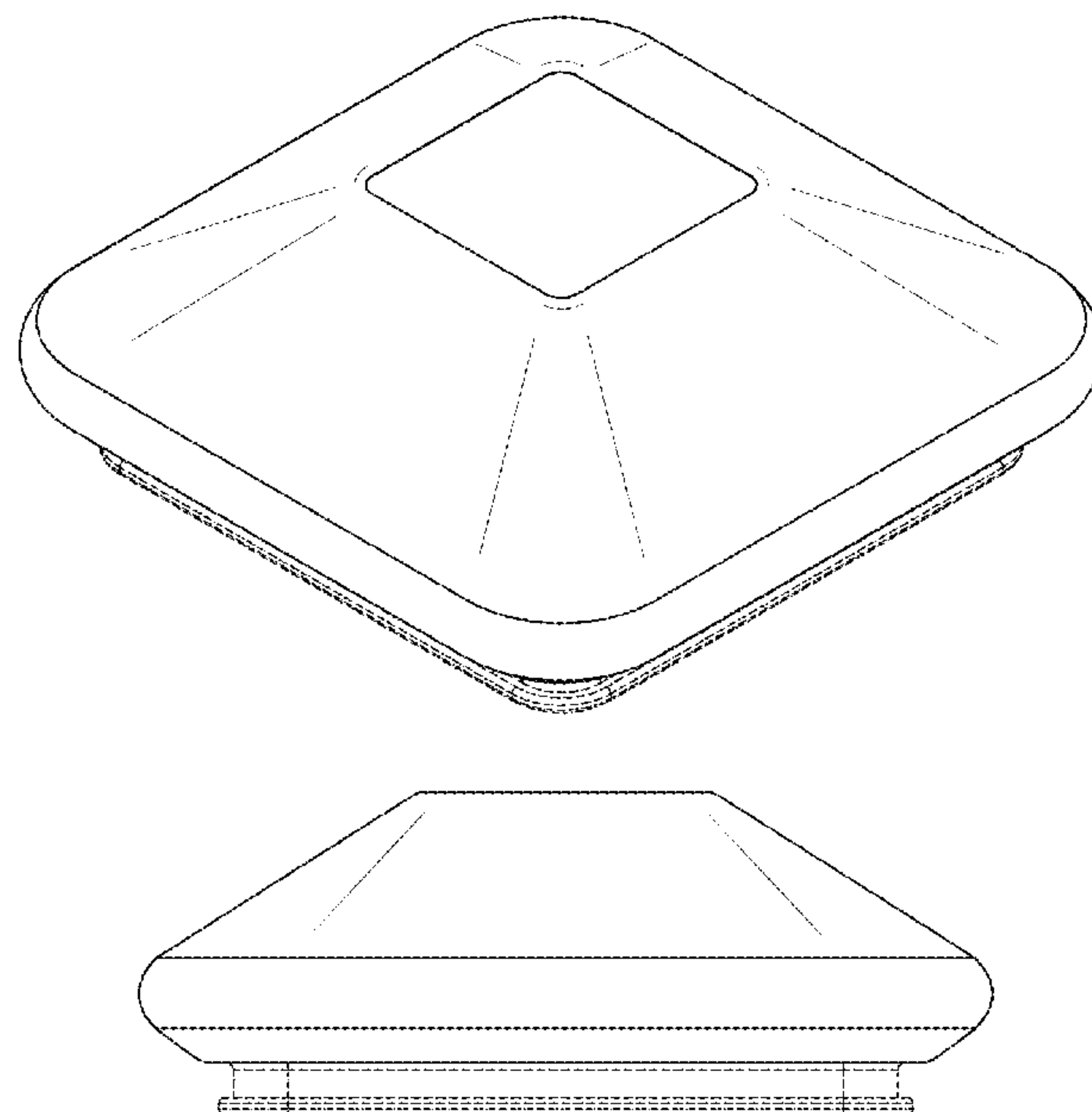


FIG. 1

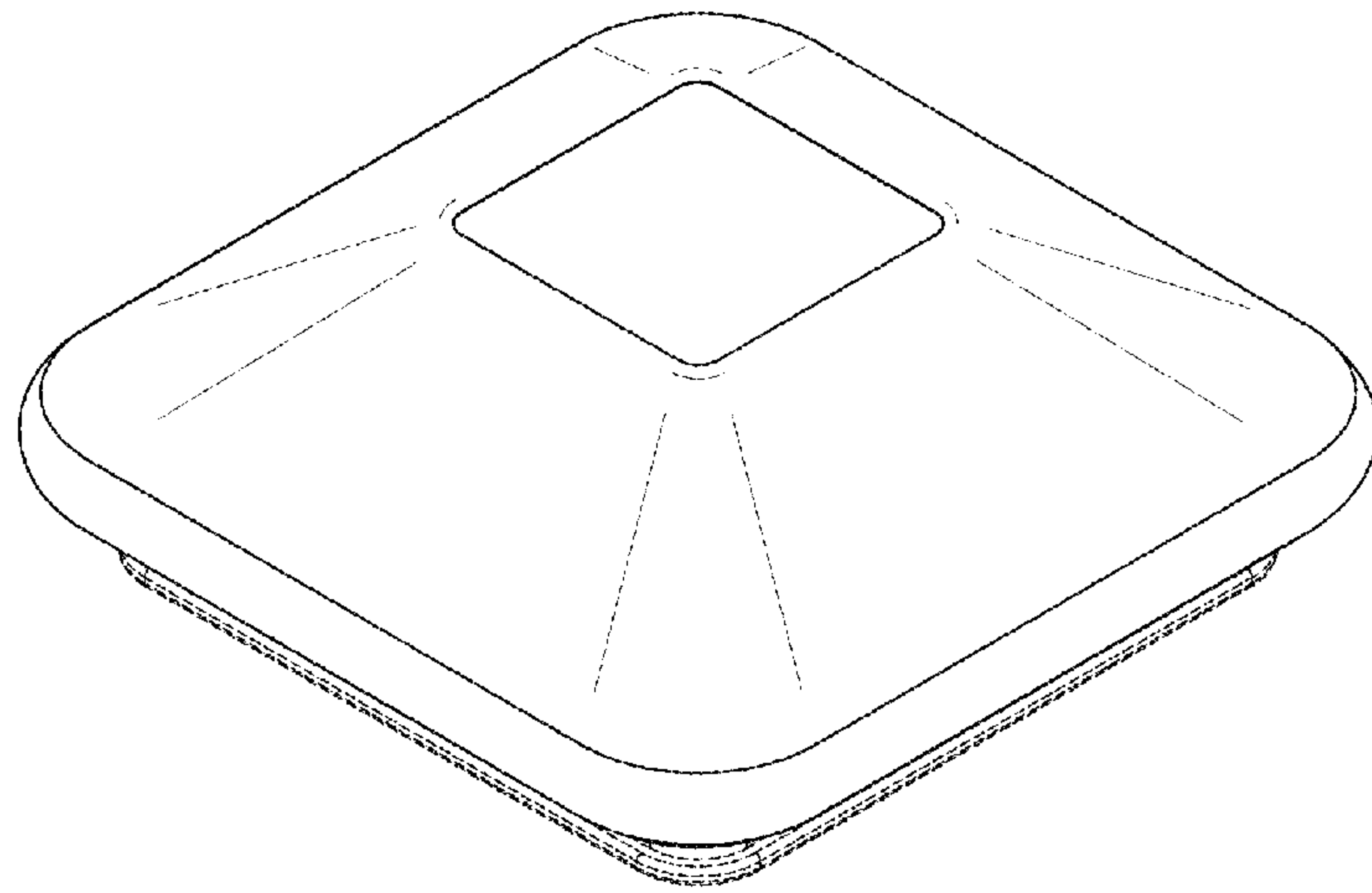


FIG. 2

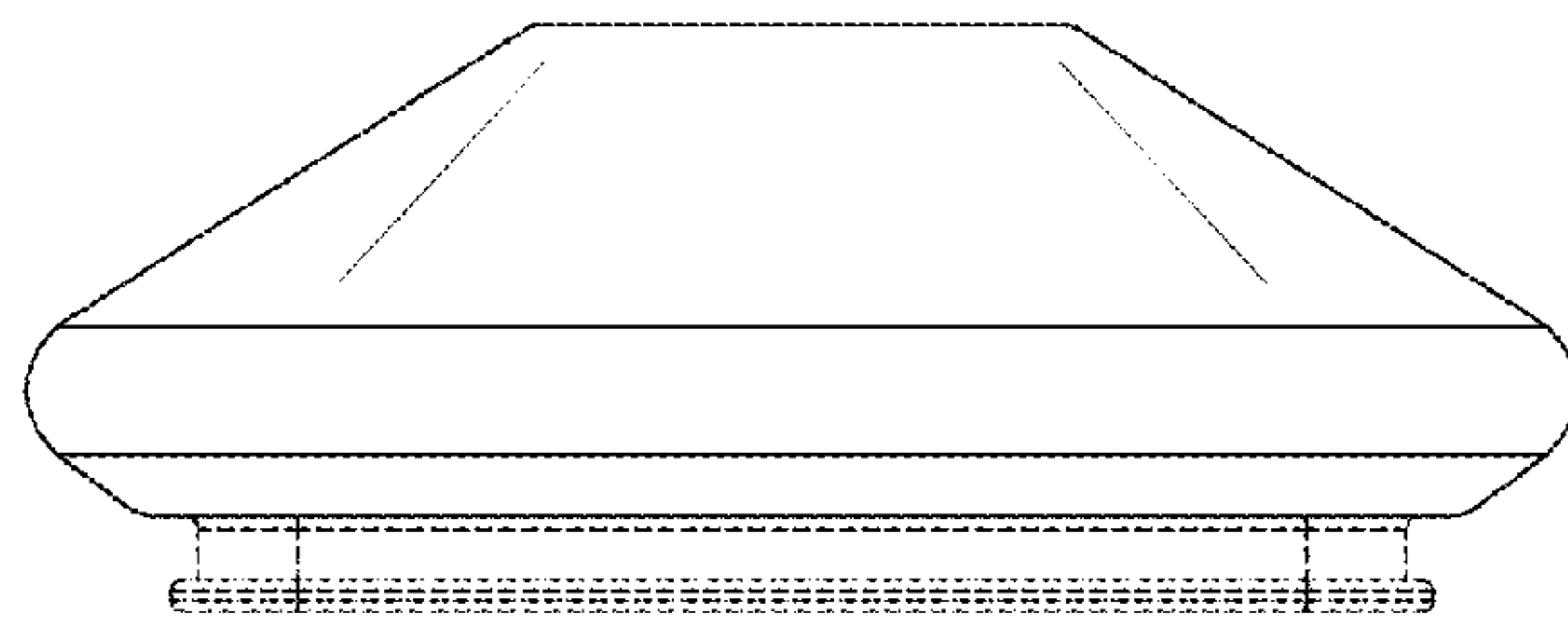


FIG. 3

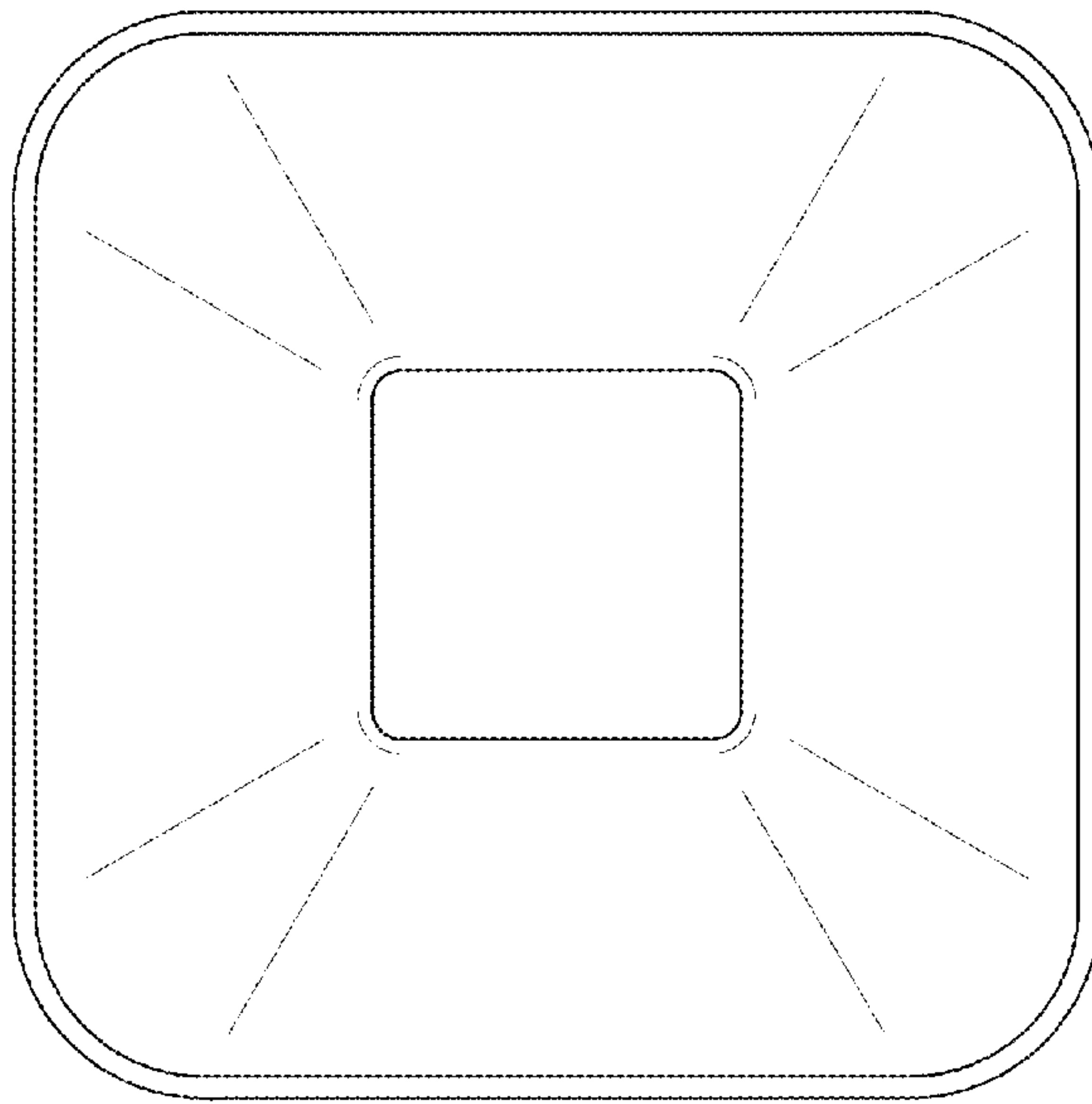


FIG. 4

