

US00D671258S

(12) **United States Design Patent**
Ferrier et al.

(10) **Patent No.:** **US D671,258 S**

(45) **Date of Patent:** **** Nov. 20, 2012**

(54) **LIGHT FIXTURE LENS**

(75) Inventors: **David James Ferrier**, Denver, CO (US);
Christopher Eric Samuelson, Golden,
CO (US)

(73) Assignee: **Pinnacle Architectural Lighting**,
Denver, CO (US)

(**) Term: **14 Years**

(21) Appl. No.: **29/402,873**

(22) Filed: **Sep. 28, 2011**

(51) **LOC (9) Cl.** **26-99**

(52) **U.S. Cl.** **D26/120**

(58) **Field of Classification Search** D26/113,
D26/71, 72, 73, 74, 75, 76, 78, 122, 121,
D26/120, 119, 118, 1, 80, 86, 87, 88, 89,
D26/90, 35, 36, 85, 62, 61, 63, 64, 65, 66,
D26/67, 68, 28, 31, 24, 25, 26, 60, 103, 104,
D26/105, 106, 109, 110, 93, 138, 140, 141,
D26/142, 143, 144, 145, 152, 153, 154, 155,
D26/41, 42, 51, 52, 50, 37, 128, 123, 124,
D26/125, 129, 131, 134, 135, 136, 2, 3; D13/179,
D13/180; D8/354, 382, 373, 377; 362/373,
362/294.02, 218, 510, 516, 410, 183, 396,
362/130, 190, 249.07, 249.09, 249.1, 249.11,
362/285, 413, 287, 220, 418, 419, 92, 249.08,
362/205, 184, 260, 399, 398, 397, 258, 374,
362/375, 216, 558, 561, 354, 249.06, 249.05,
362/132, 133, 249.03, 223, 241, 345, 327,
362/217.05, 247, 224, 297; 52/455; D25/124,
D25/125, 60, 119; 349/113, 61, 59, 60, 62,
349/64, 65, 67, 66; 248/558, 339, 557; 438/15;
345/102; D12/406; D10/114.1, 111; D11/145,
D11/144, 125, 121; 428/11; 257/96, 97,
257/98, 99

See application file for complete search history.

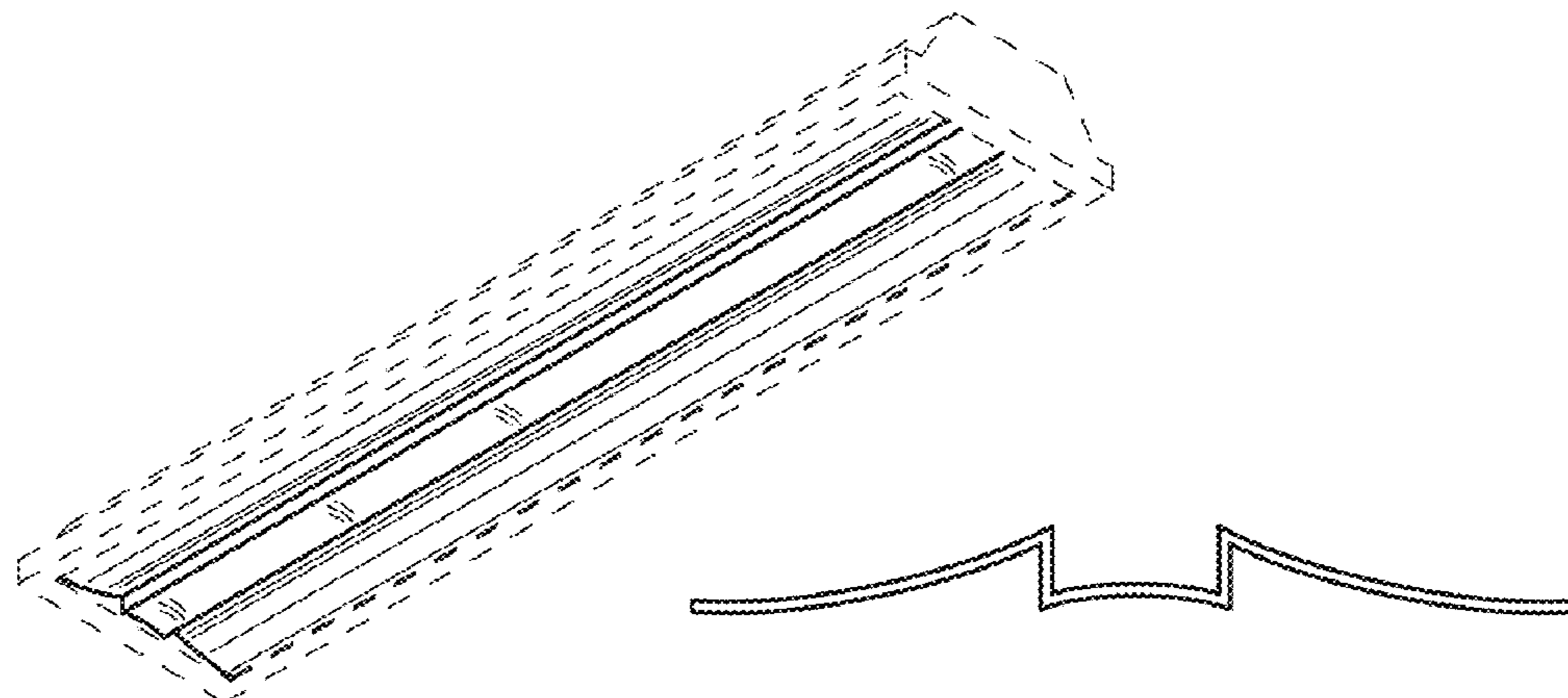
(56) **References Cited**

U.S. PATENT DOCUMENTS

2,526,074	A *	10/1950	Guth	362/224
D190,596	S *	6/1961	Franck et al.	D26/76
D195,012	S *	4/1963	Hoyle	D23/388
4,336,576	A *	6/1982	Crabtree	362/240
4,536,830	A *	8/1985	Wisniewski	362/223
4,891,737	A *	1/1990	Szymanek	362/223
D314,637	S *	2/1991	Holcomb	D26/120
5,062,030	A *	10/1991	Figueroa	362/346
5,134,553	A *	7/1992	Hasegawa	362/223
5,412,551	A *	5/1995	Newell	362/241
D364,478	S *	11/1995	Pesau	D26/76
6,523,975	B1 *	2/2003	Plourde et al.	362/225
D477,891	S	7/2003	Fritze et al.	
D483,510	S *	12/2003	Fritze et al.	D26/75
6,655,819	B2 *	12/2003	Loga et al.	362/263
6,746,325	B2 *	6/2004	Crane	454/342
D545,991	S *	7/2007	Mayfield et al.	D26/118
D572,858	S	7/2008	Santoro	
D579,598	S *	10/2008	Santoro	D26/76
D595,006	S *	6/2009	Santoro	D26/74
D595,894	S *	7/2009	Verfuierth et al.	D26/122
D602,625	S	10/2009	Santoro	
D604,002	S *	11/2009	Santoro	D26/76
D608,932	S *	1/2010	Castelli	D26/76
D617,487	S *	6/2010	Fowler et al.	D26/76
D617,489	S	6/2010	Santoro	
D631,594	S	1/2011	Irvine	
D633,247	S *	2/2011	Kong et al.	D26/88
D644,374	S *	8/2011	Ferrier	D26/118
D646,012	S *	9/2011	Irvine	D26/74
8,042,977	B1 *	10/2011	Nourishad et al.	362/343
D653,376	S *	1/2012	Kong et al.	D26/76
8,092,037	B2 *	1/2012	Kassay et al.	362/217.05
D653,786	S *	2/2012	Chung et al.	D26/75
2002/0191397	A1 *	12/2002	Loga et al.	362/247

OTHER PUBLICATIONS

- Axis Lighting, Day, 2010, 12 pgs.
- Axis Lighting, DIA with VL Optic, 2009, 10 pgs.
- Axis Lighting, Plano with VL Optic, 2010, 5 pgs.
- Axis Lighting, Wave with VL Optic, 2010, 5 pgs.
- Cooper Lighting, Corelight, Class R3 Nano Prism Lens, Jan. 5, 2011, 1 pg.
- Finelight, High Performance Recessed Collection, Aug. 2011, 12 pgs.
- Philips Day-Brite Soft Trace, 2010, 24 pgs.
- Philips Ledalite, PureFX, 2011, 16 pgs.
- Philips Ledalite, Shine, 2011, 24 pgs.



Philips Ledalite, Vectra, 2011, 12 pgs.
Philips Ledalite, Voice, 2011, 17 pgs.
Pinnacle Architectural Lighting, Converj, Aug. 2011, 16 pgs.
Zumtobel, ML, Product Catalog, 2008, 1 pg.
Philips Ledalite, Pique, 2011, 16 pgs.

* cited by examiner

Primary Examiner — Kevin Rudzinski
(74) *Attorney, Agent, or Firm* — Merchant & Gould PC

(57) **CLAIM**

The ornamental design for a light fixture lens, as shown and described.

DESCRIPTION

FIG. 1 is a bottom perspective view of a first embodiment of a light fixture lens in a light fixture; and
FIG. 2 is a top perspective view of the light fixture of FIG. 1;
FIG. 3 is a top view of the light fixture of FIG. 1;
FIG. 4 is a bottom view of the light fixture lens of FIG. 1 in the light fixture;
FIG. 5 is an end view of the light fixture of FIG. 1;
FIG. 6 is a side view of the light fixture of FIG. 1;
FIG. 7 is a top perspective view of the light fixture lens of FIG. 1 removed from the light fixture;
FIG. 8 is an end view of the light fixture lens of FIG. 7;
FIG. 9 is a bottom perspective view of the light fixture lens of FIG. 7;
FIG. 10 is a bottom perspective view of a second embodiment of a light fixture lens in a light fixture; and

FIG. 11 is a top perspective view of the light fixture of FIG. 10;
FIG. 12 is a top view of the light fixture of FIG. 10;
FIG. 13 is a bottom view of the light fixture lens of FIG. 10 in the light fixture;
FIG. 14 is an end view of the light fixture of FIG. 10;
FIG. 15 is a side view of the light fixture of FIG. 10;
FIG. 16 is a top perspective view of the light fixture lens of FIG. 10 removed from the light fixture;
FIG. 17 is an end view of the light fixture lens of FIG. 16;
FIG. 18 is a bottom perspective view of the light fixture lens of FIG. 16;
FIG. 19 is a bottom perspective view of a third embodiment of a light fixture lens in a light fixture; and
FIG. 20 is a top perspective view of the light fixture of FIG. 19;
FIG. 21 is a top view of the light fixture of FIG. 19;
FIG. 22 is a bottom view of the light fixture lens of FIG. 19 in the light fixture;
FIG. 23 is an end view of the light fixture of FIG. 19;
FIG. 24 is a side view of the light fixture of FIG. 19;
FIG. 25 is a top perspective view of the light fixture lens of FIG. 19 removed from the light fixture;
FIG. 26 is an end view of the light fixture lens of FIG. 25; and
FIG. 27 is a bottom perspective view of the light fixture lens of FIG. 25.
In FIGS. 1-6, 10-15, and 19-24, the dashed lines indicate environmental features that form no part of the claimed invention.

1 Claim, 9 Drawing Sheets

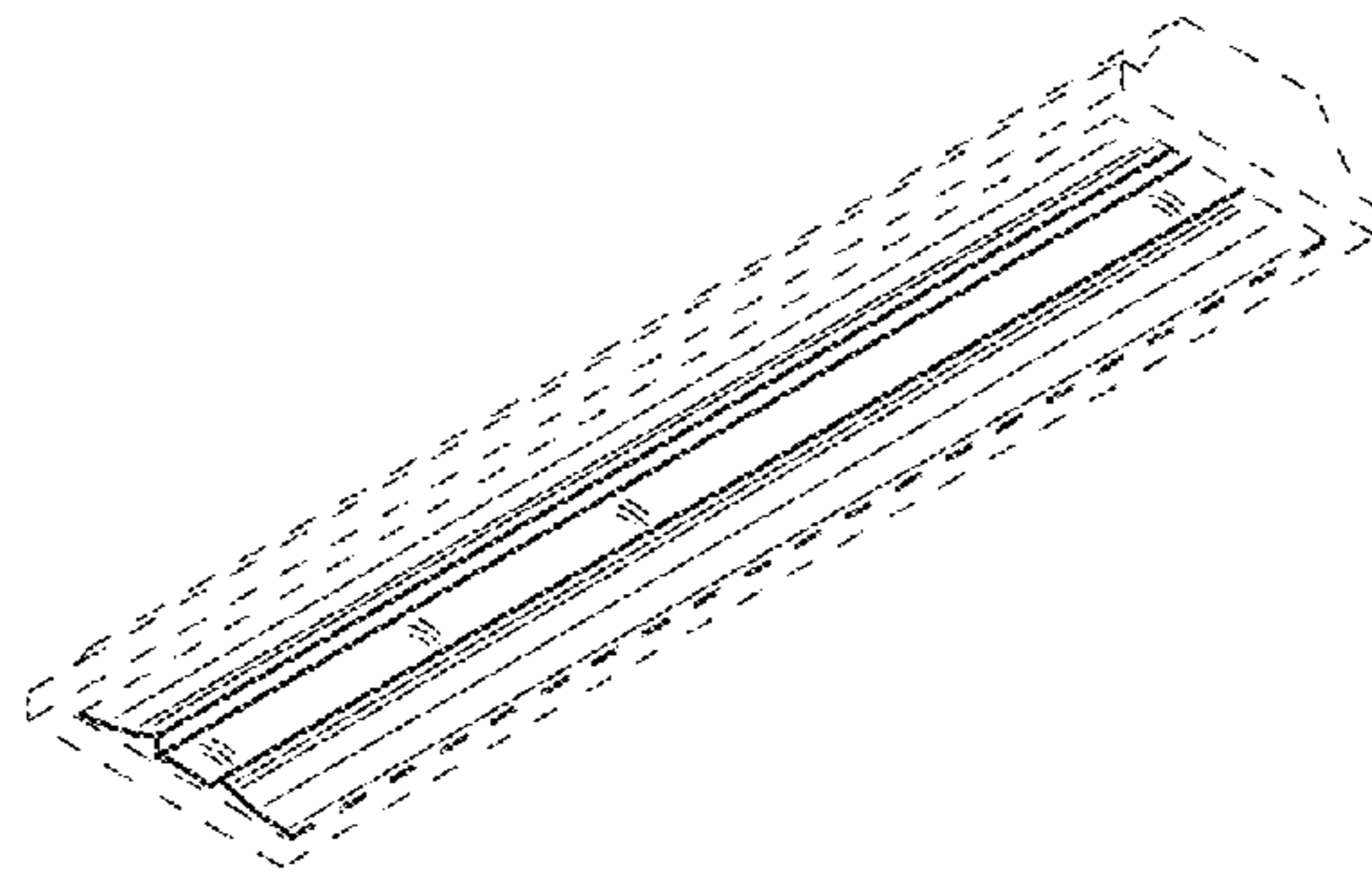


FIG. 1

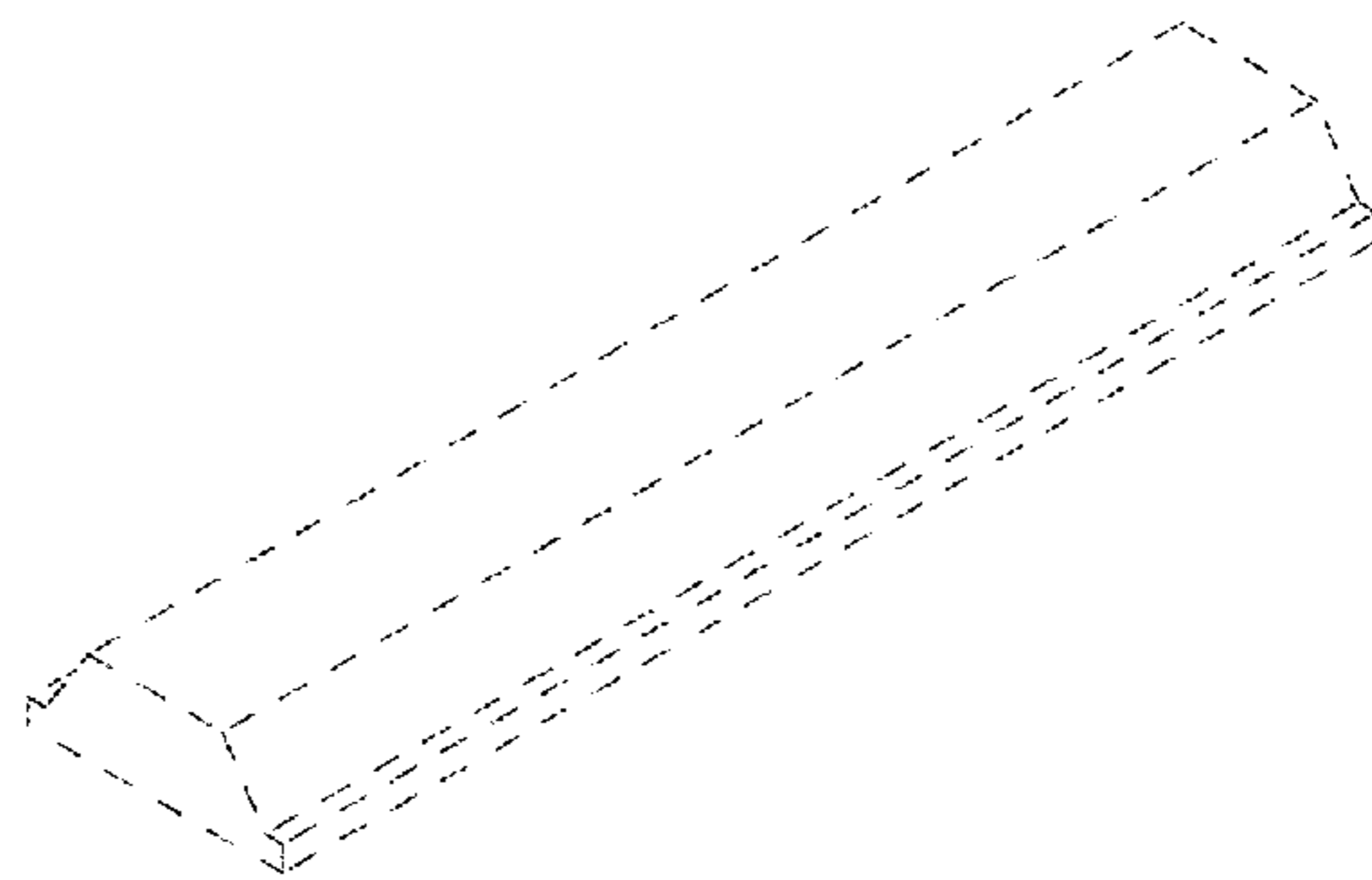


FIG. 2

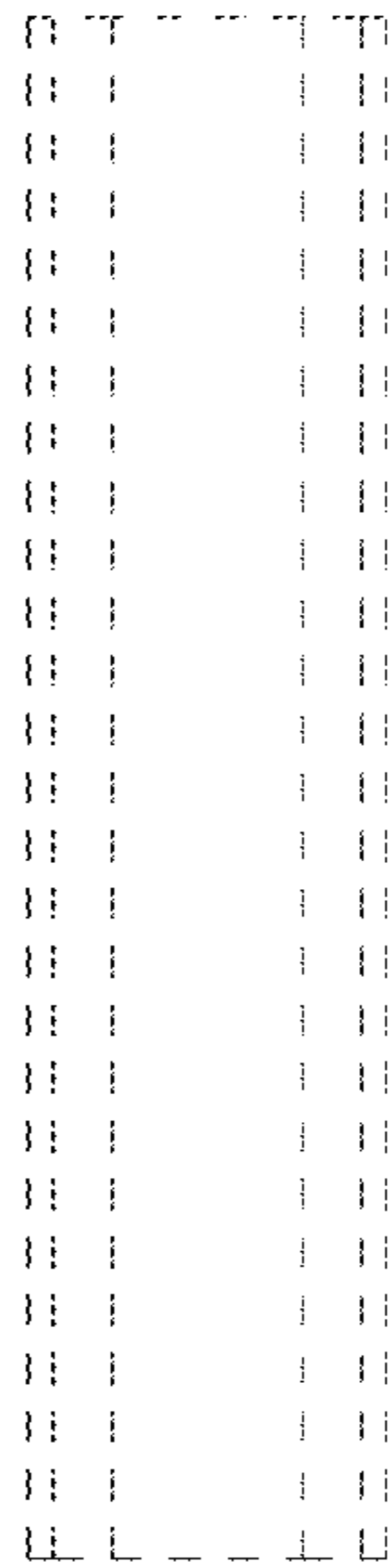


FIG. 3

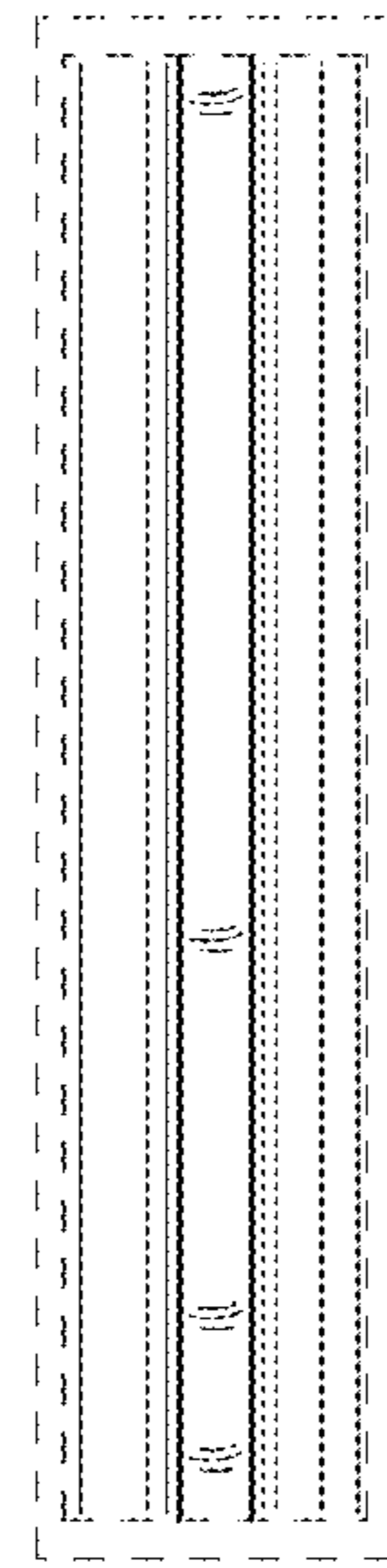


FIG. 4

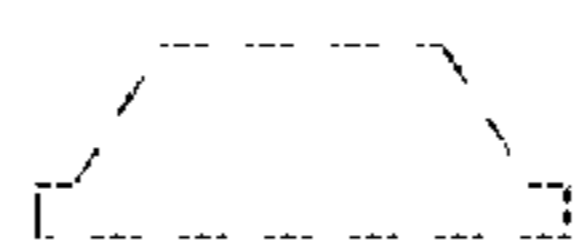


FIG. 5



FIG. 6

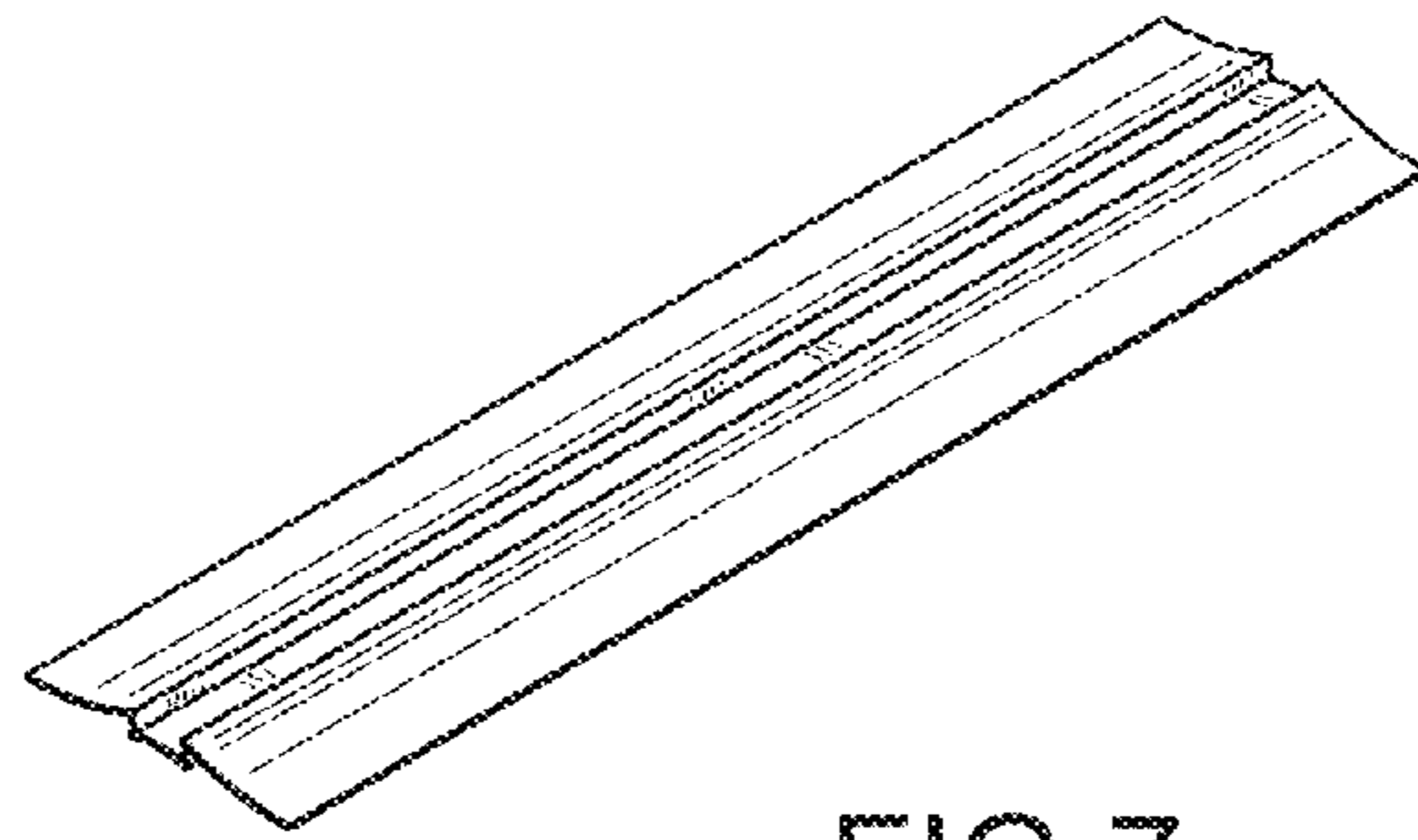


FIG. 7

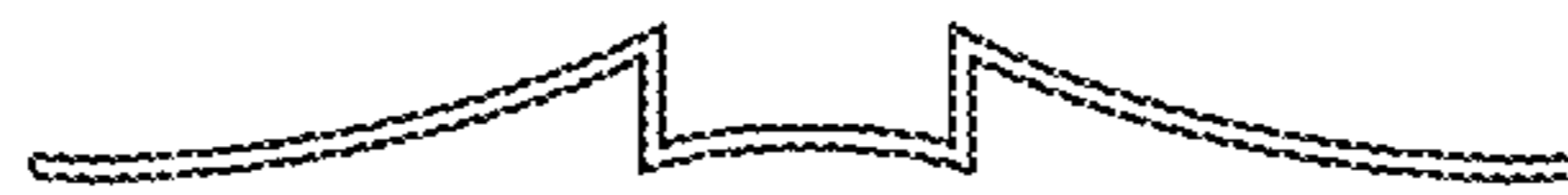


FIG. 8

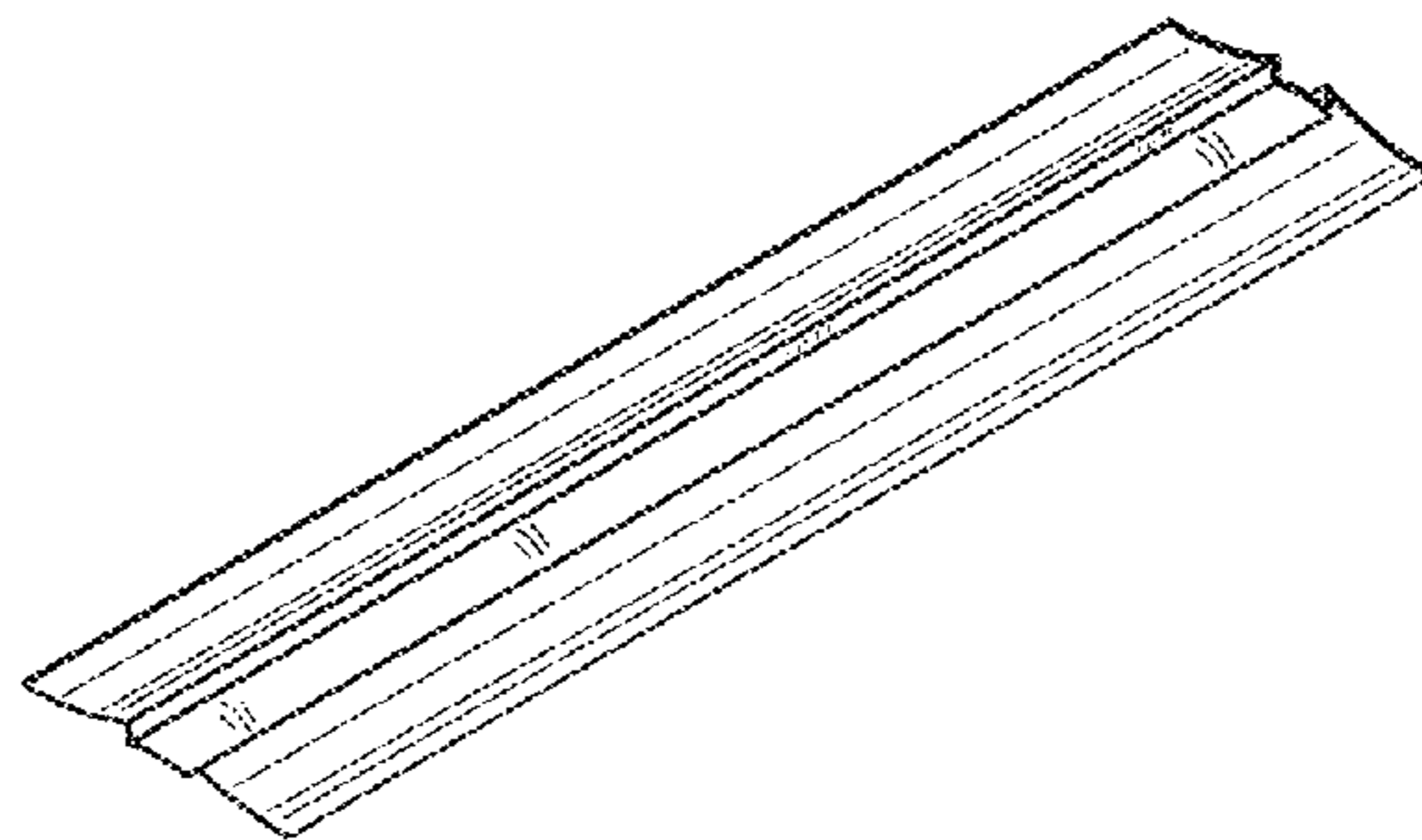


FIG. 9

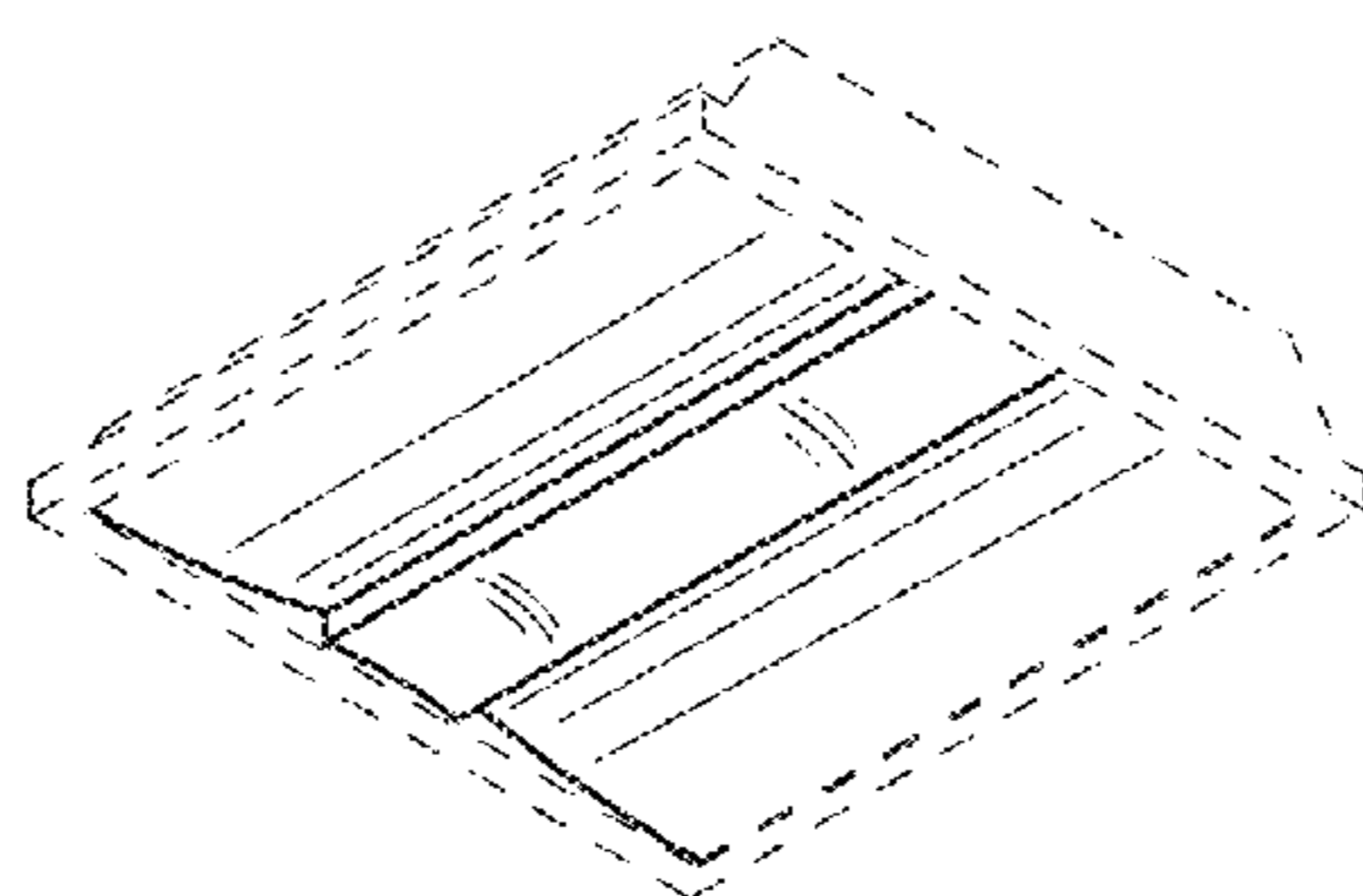


FIG. 10

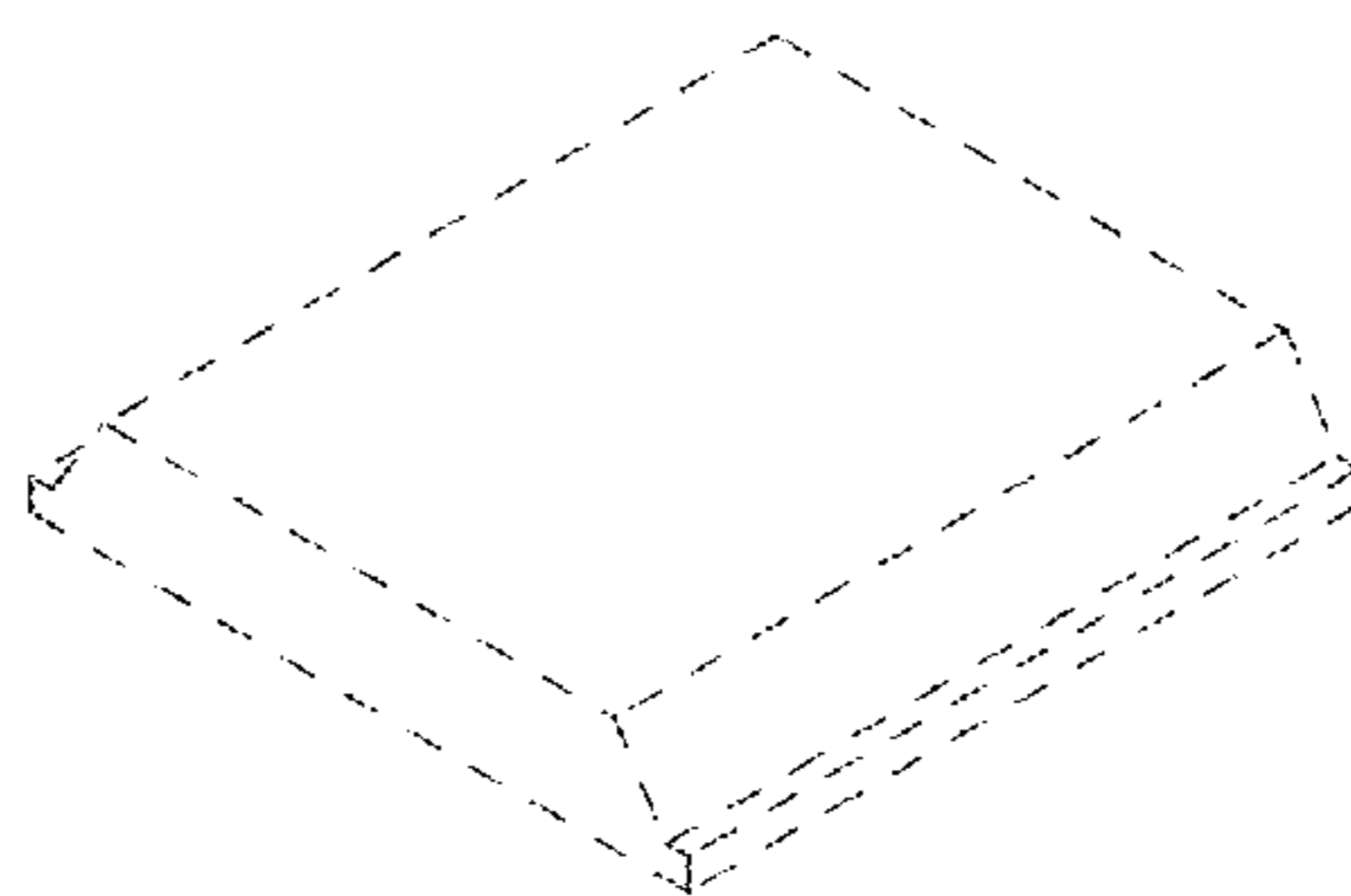


FIG. 11

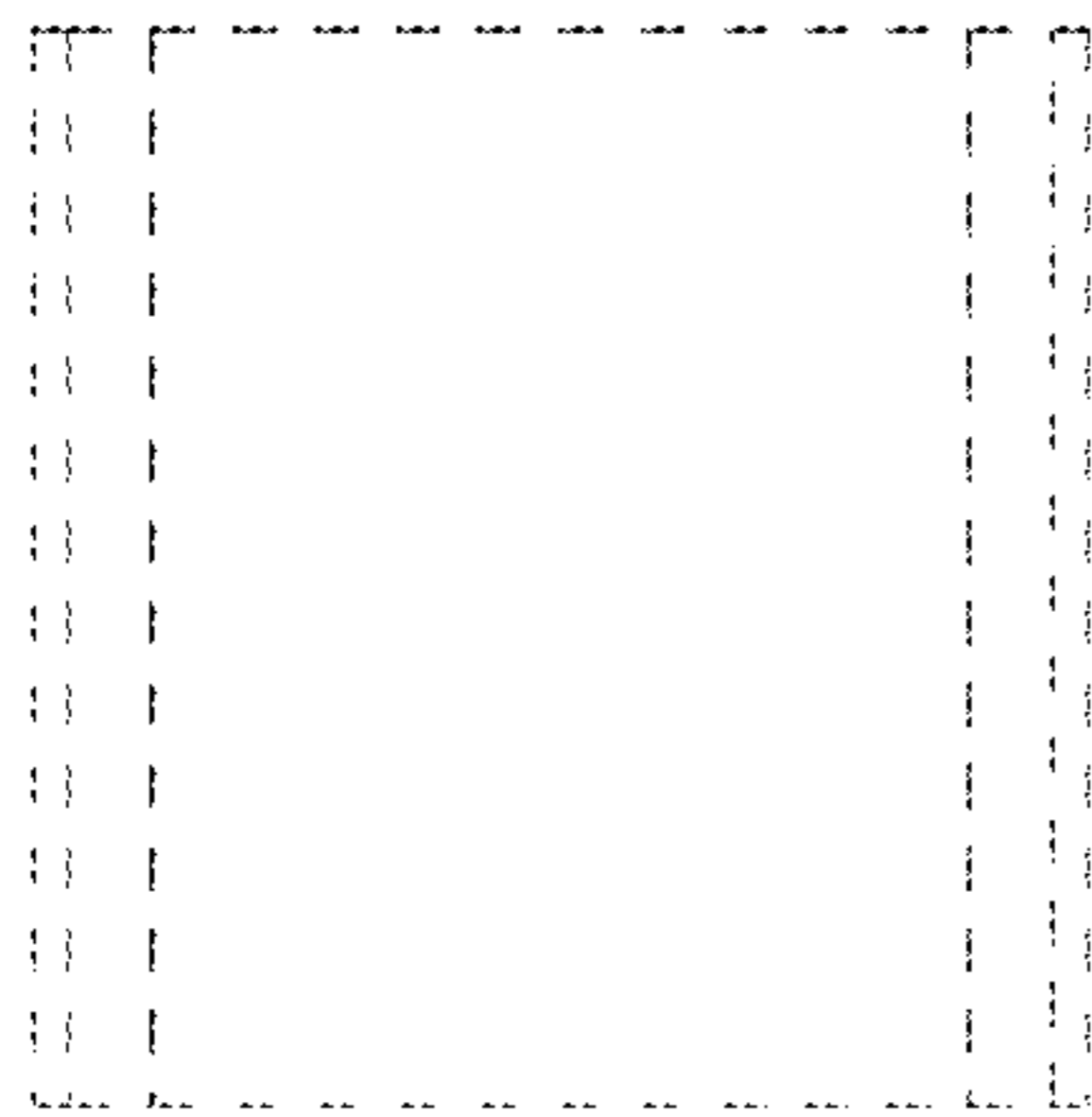


FIG. 12

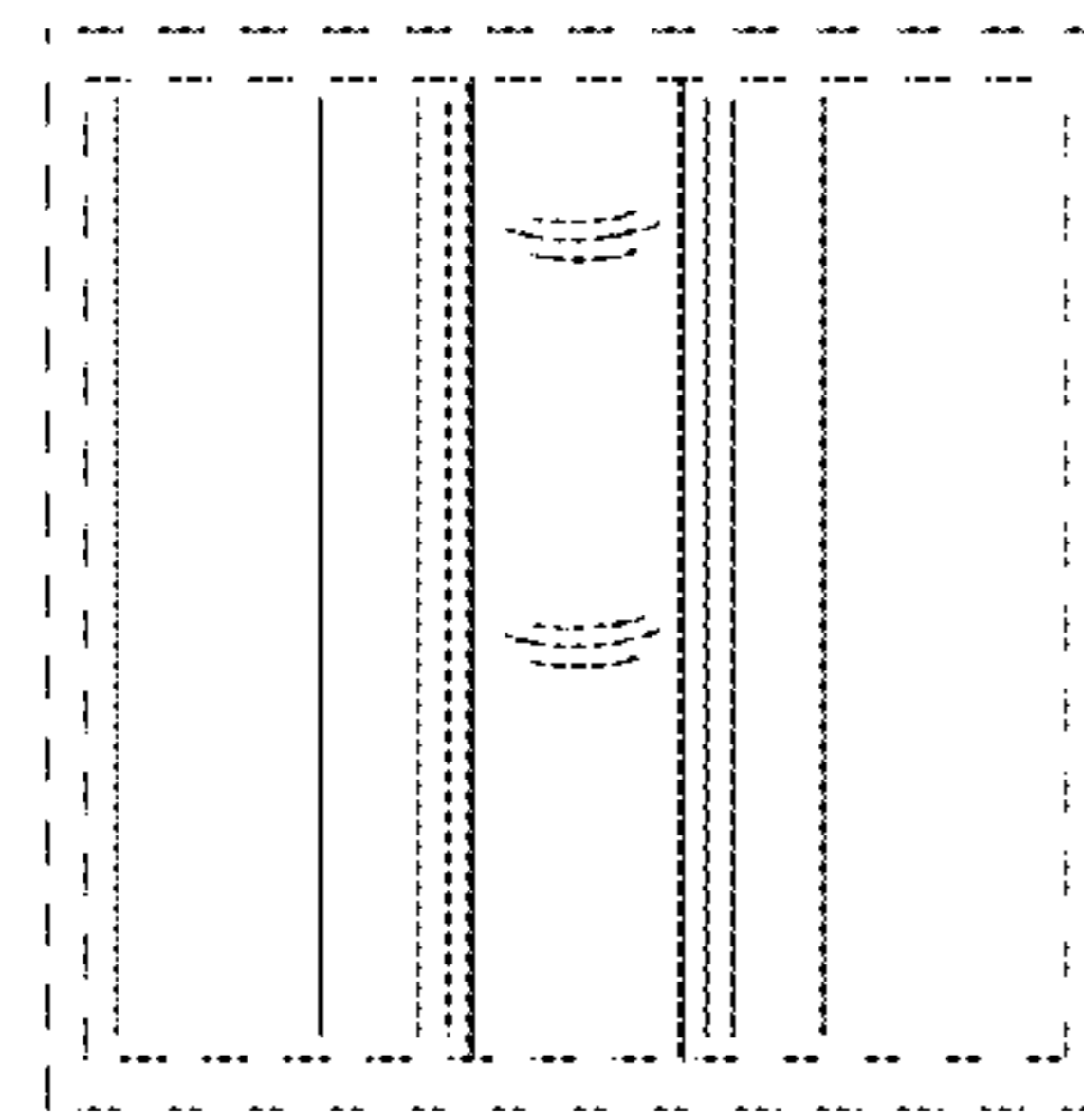


FIG. 13

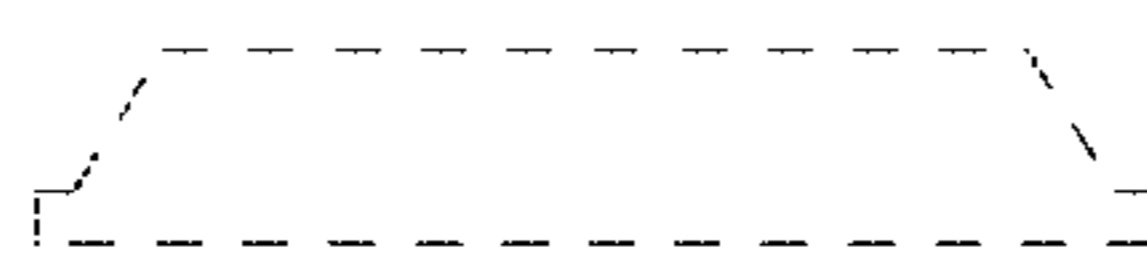


FIG. 14

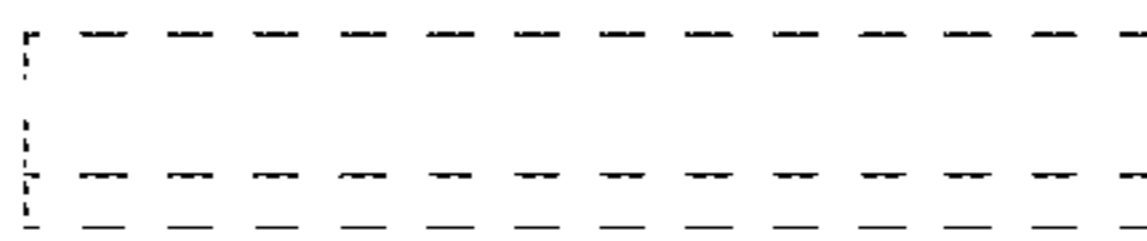


FIG. 15

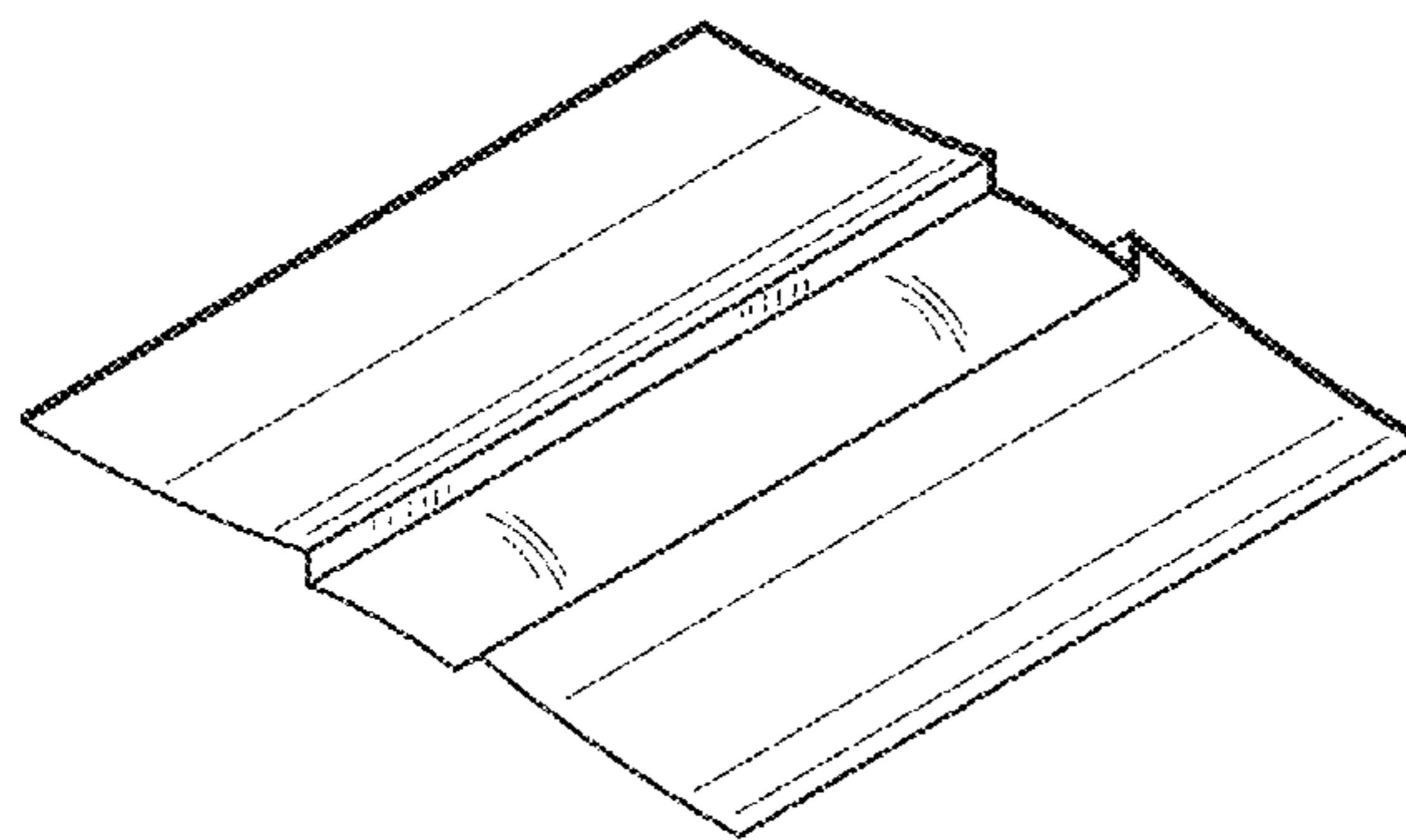
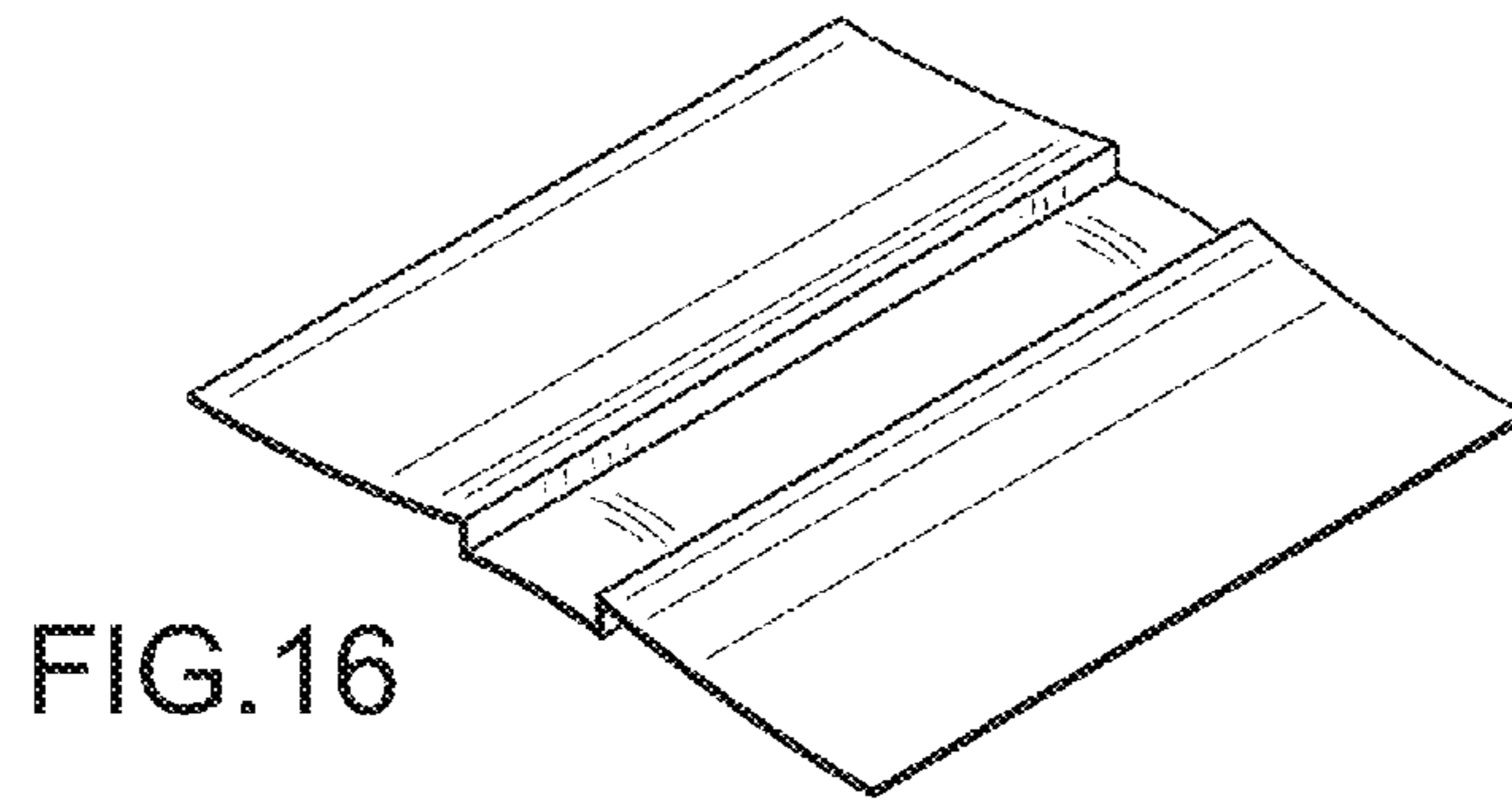


FIG. 18

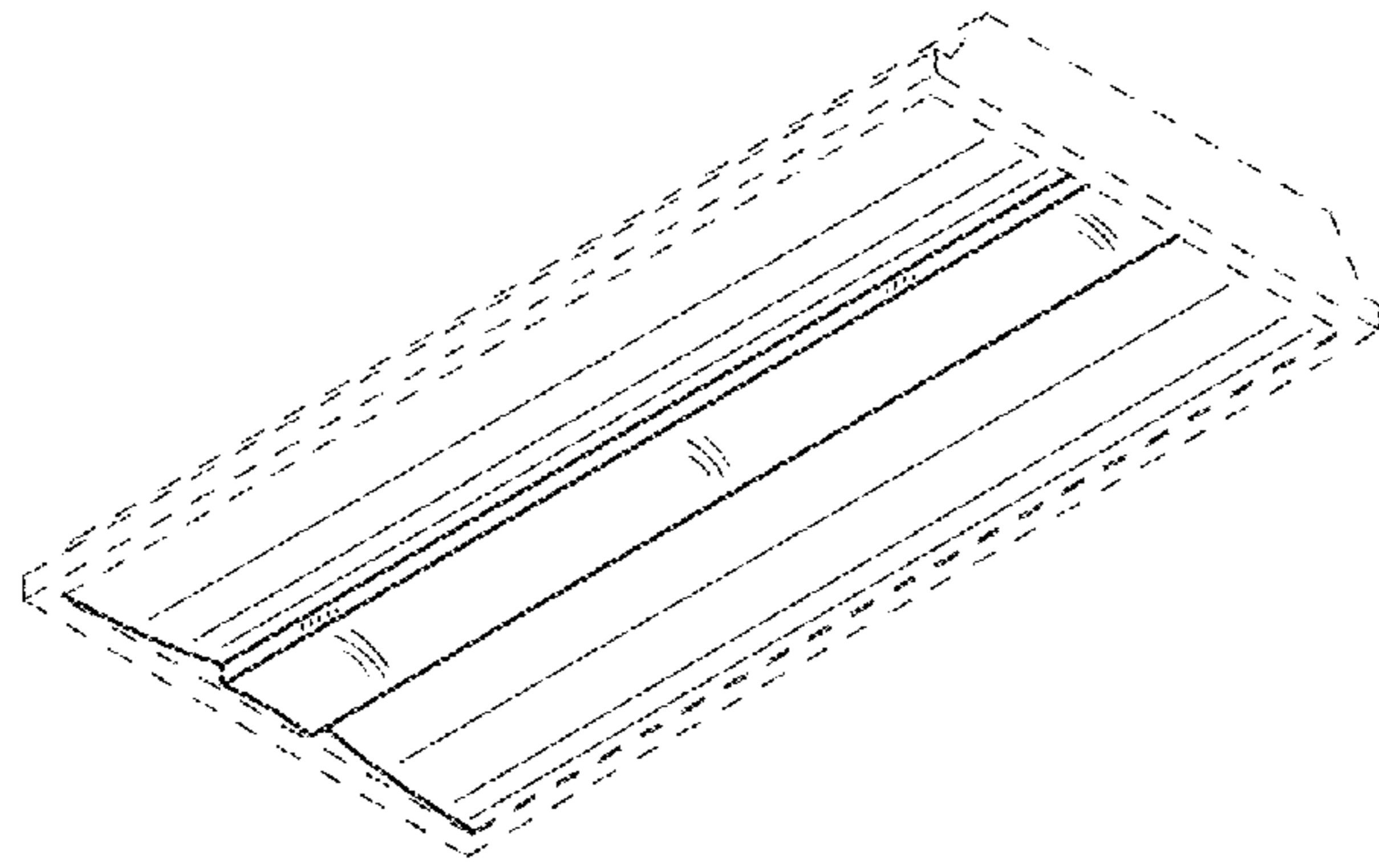


FIG. 19

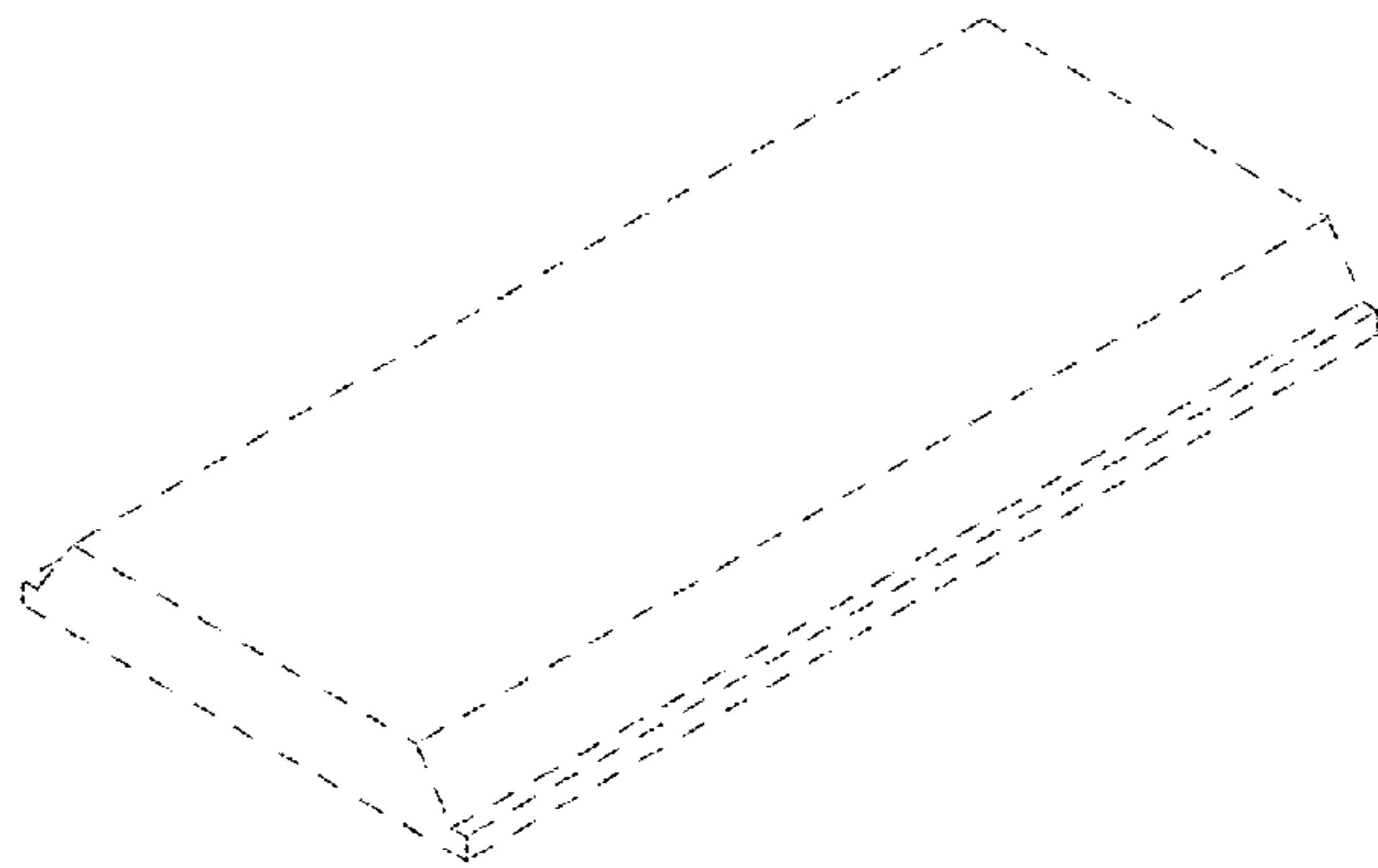


FIG. 20

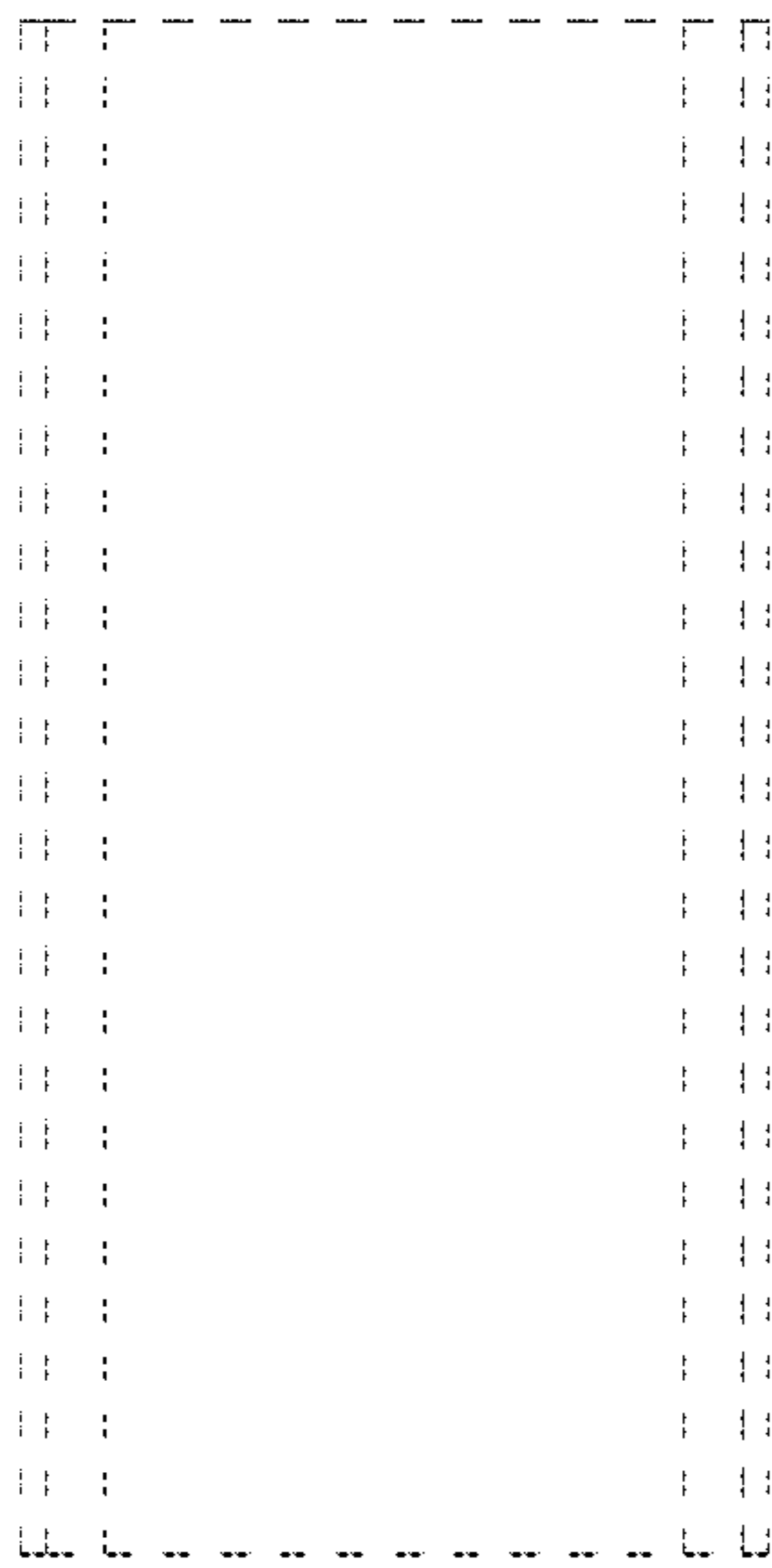


FIG. 21

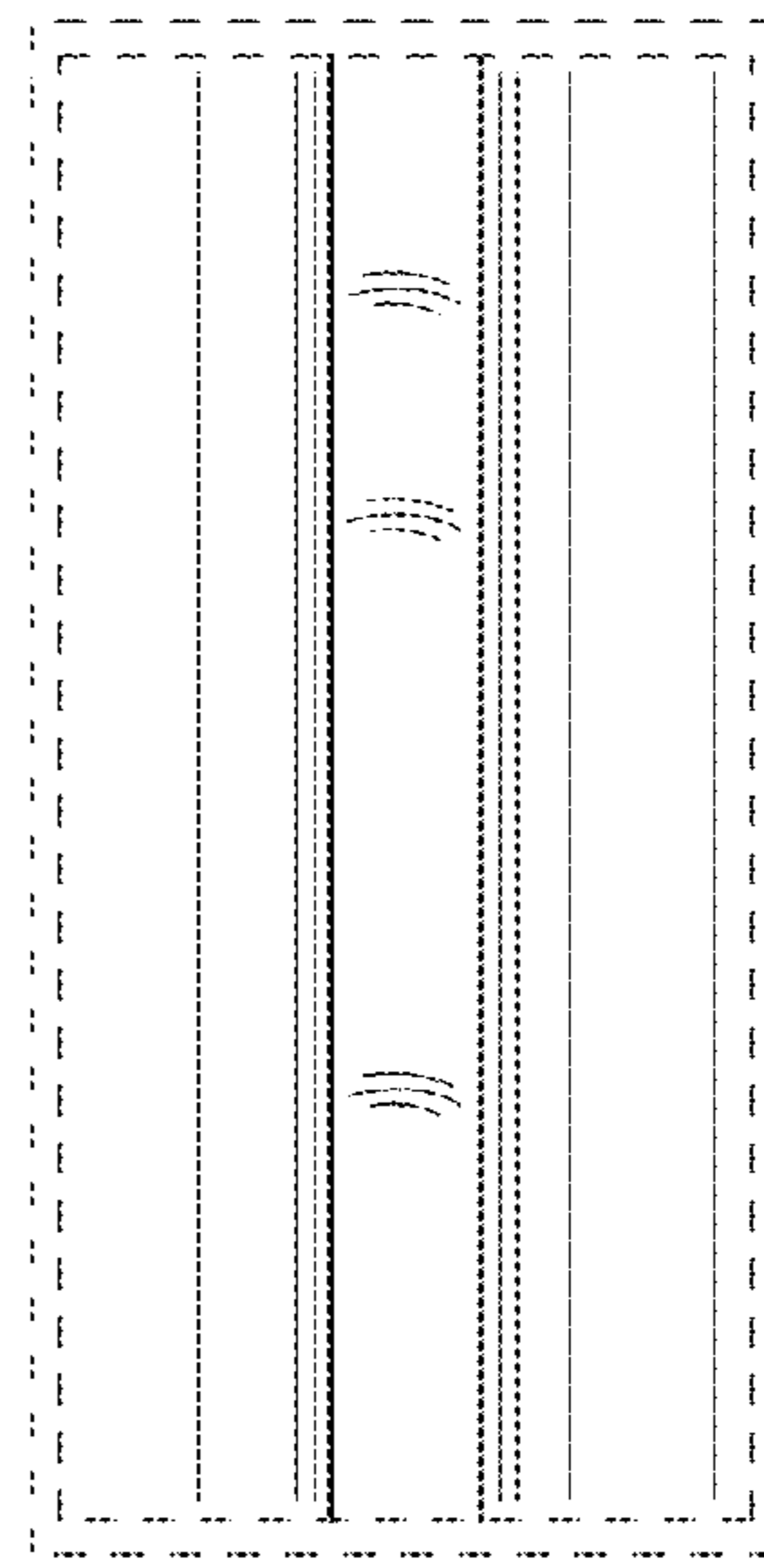


FIG. 22

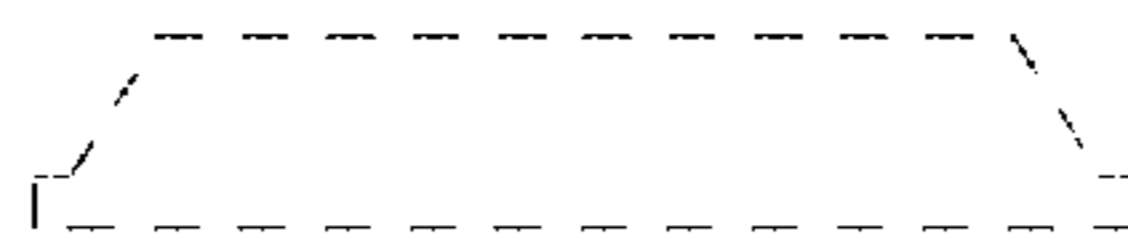


FIG. 23

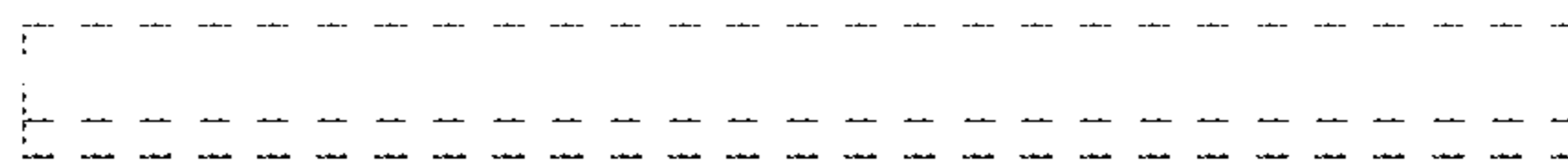


FIG. 24

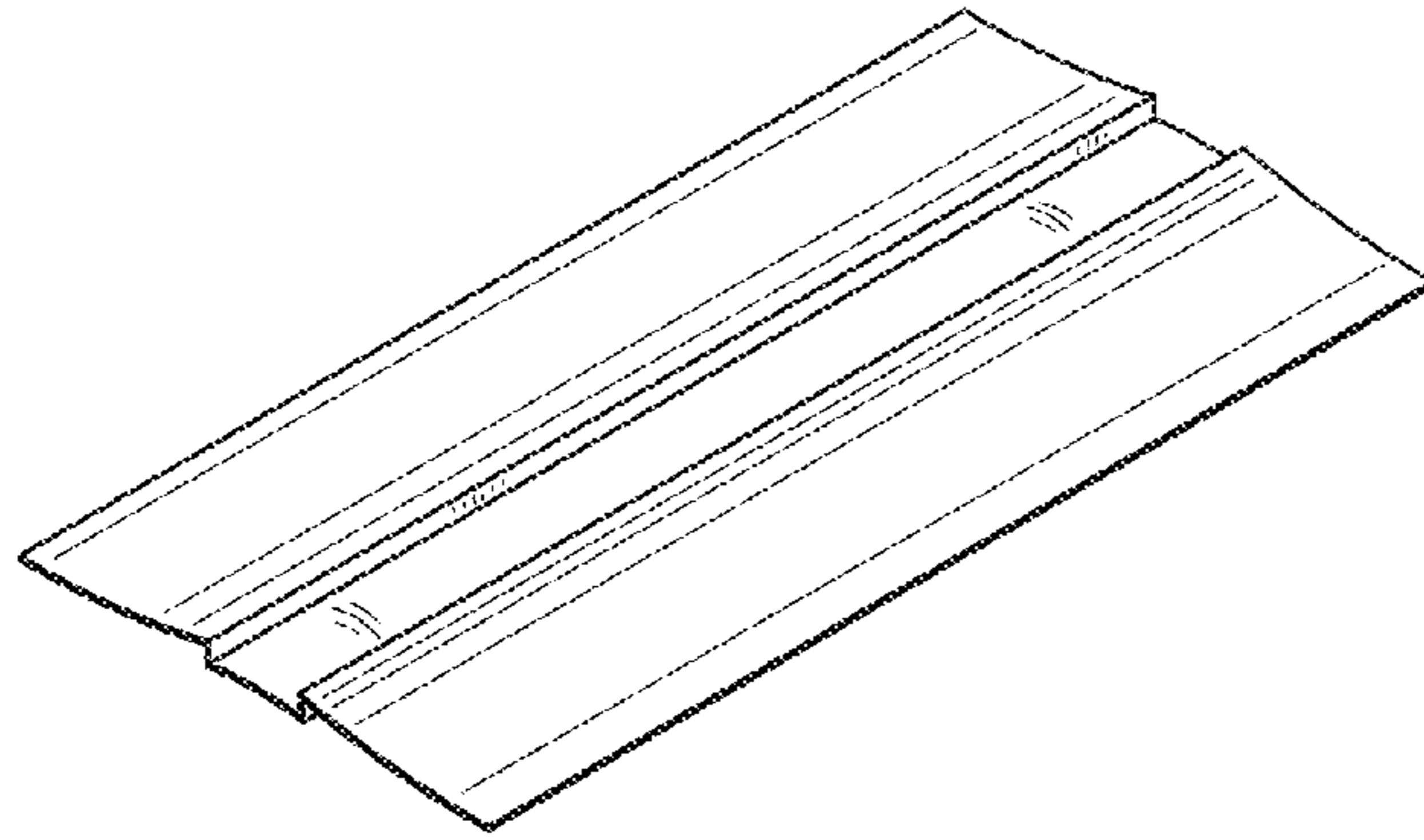


FIG. 25

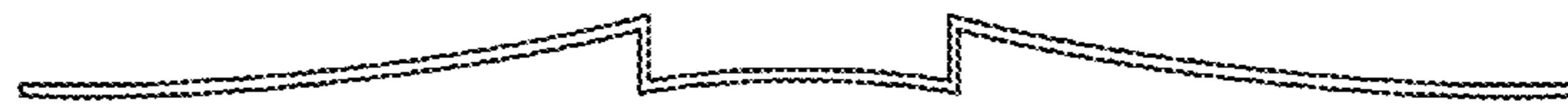


FIG. 26

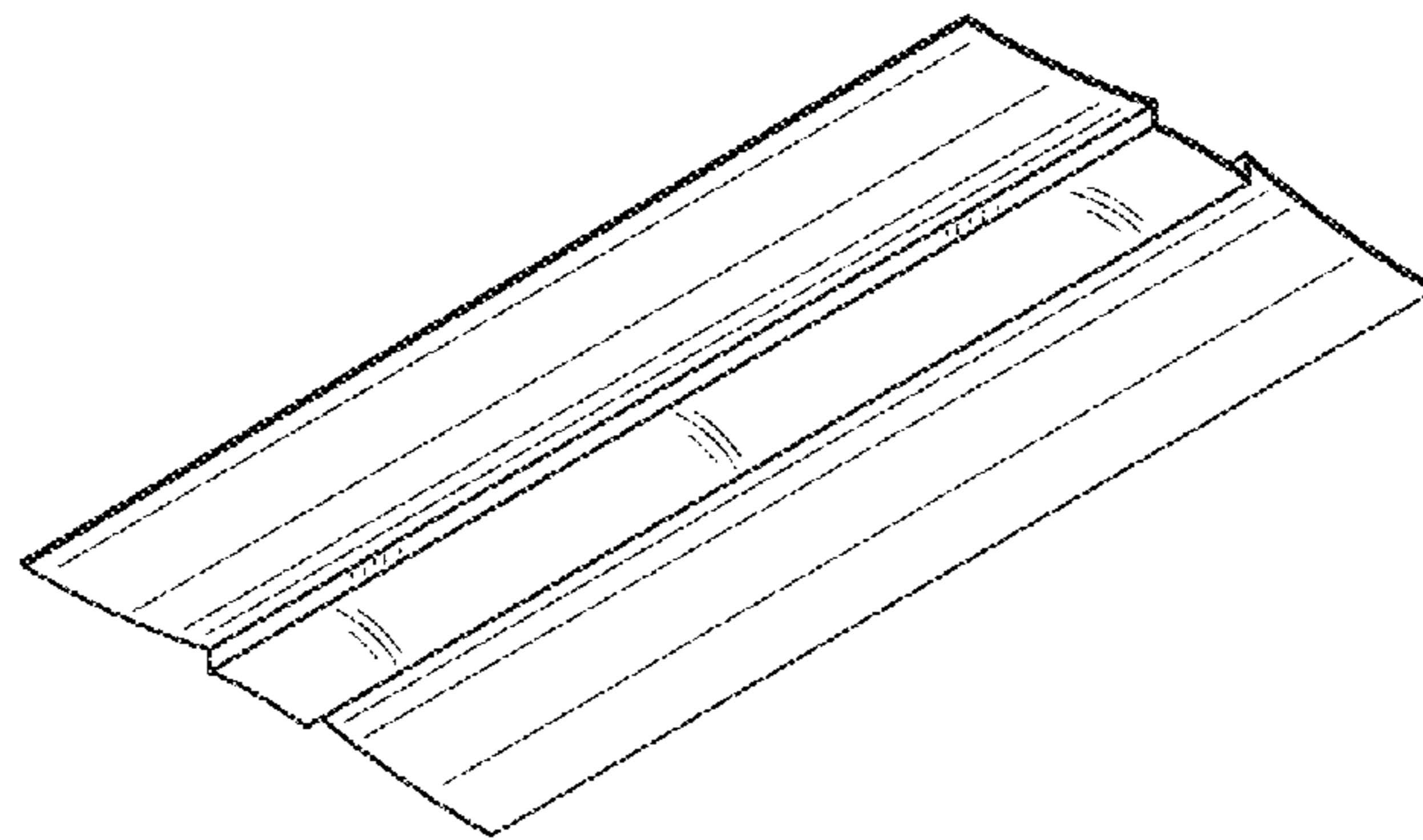


FIG. 27