



US00D671256S

(12) **United States Design Patent**
McCoy et al.

(10) **Patent No.:** **US D671,256 S**

(45) **Date of Patent:** **** Nov. 20, 2012**

(54) **LAMP HEAD**

(75) Inventors: **Michael McCoy**, Buena Vista, CO (US);
Peter Stathis, San Francisco, CA (US);
Derrick Hurst, San Francisco, CA (US)

(73) Assignee: **Humanscale Corporation**, New York,
NY (US)

(**) Term: **14 Years**

(21) Appl. No.: **29/393,628**

(22) Filed: **Jun. 7, 2011**

(51) **LOC (9) Cl.** **26-01**

(52) **U.S. Cl.** **D26/93**

(58) **Field of Classification Search** D26/24,
D26/26, 67, 93, 90, 94, 107, 104, 105, 106,
D26/110, 118; 362/3, 153, 186, 217, 255,
362/257, 277, 317, 351, 353, 362, 363, 382,
362/431, 433, 458, 806

See application file for complete search history.

(56) **References Cited**

U.S. PATENT DOCUMENTS

D204,793	S	*	5/1966	Rodriguez	D26/63
D502,282	S	*	2/2005	Waldmann	D26/107
D529,222	S	*	9/2006	Waldmann	D26/107
D617,928	S	*	6/2010	Fredricks	D26/63
D641,915	S	*	7/2011	Waldmann	D26/107
D645,197	S	*	9/2011	Waldmann	D26/93
D645,198	S	*	9/2011	Waldmann	D26/93

D648,060	S	*	11/2011	Yamamoto et al.	D26/120
D650,937	S	*	12/2011	Horsley	D26/65
D658,804	S	*	5/2012	Starck	D26/93

OTHER PUBLICATIONS

U.S. Appl. No. 29/393,630, Assignee: Humanscale Corporation, filed Jun. 7, 2011. Title: Lamp. Inventors: Michael McCoy, Peter Stathis, Derrick Hurst.

* cited by examiner

Primary Examiner — Brian N Vinson

(74) *Attorney, Agent, or Firm* — Jones, Walker, Waechter, Poitevent, Carrere & Denegre, LLP

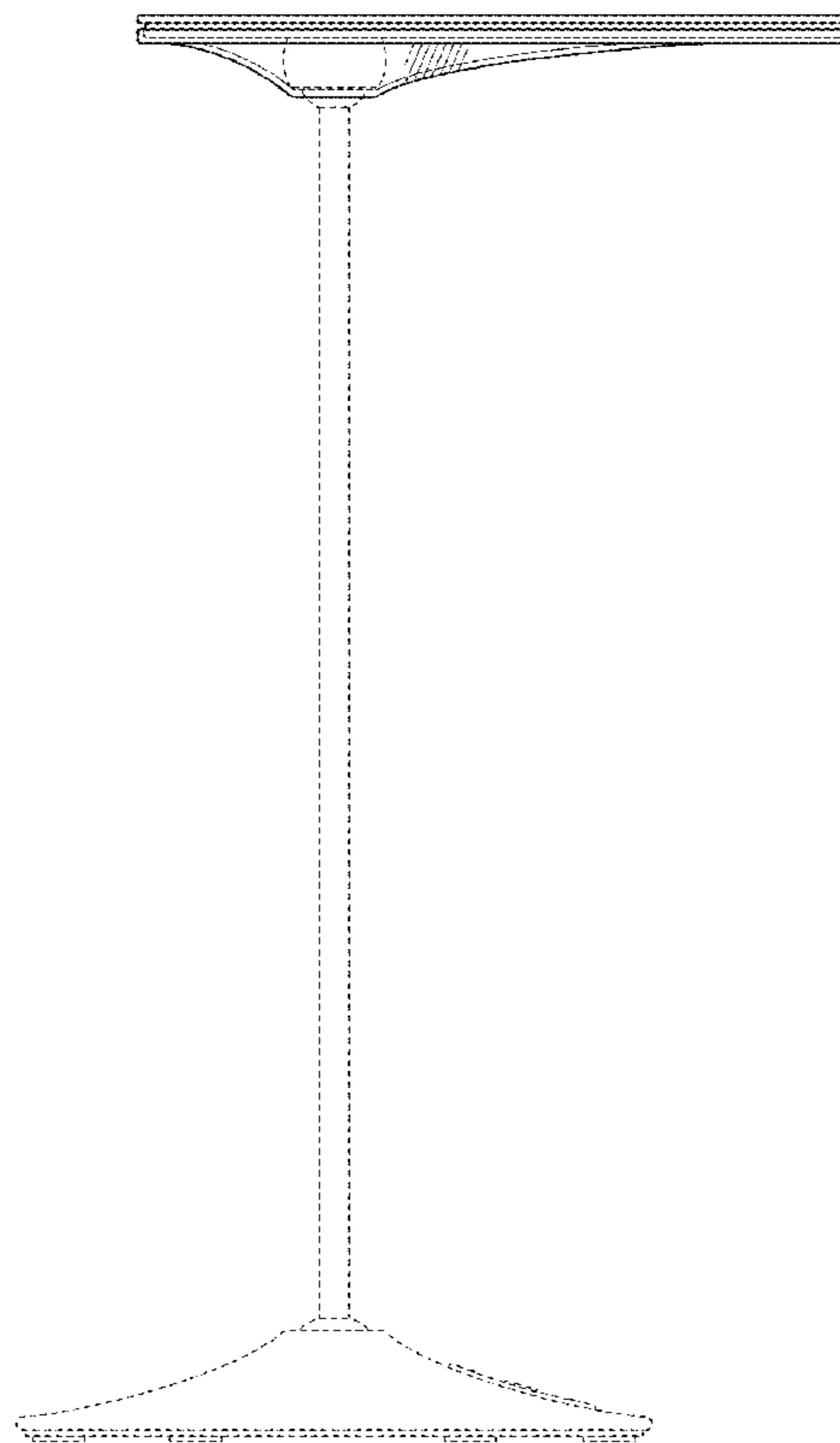
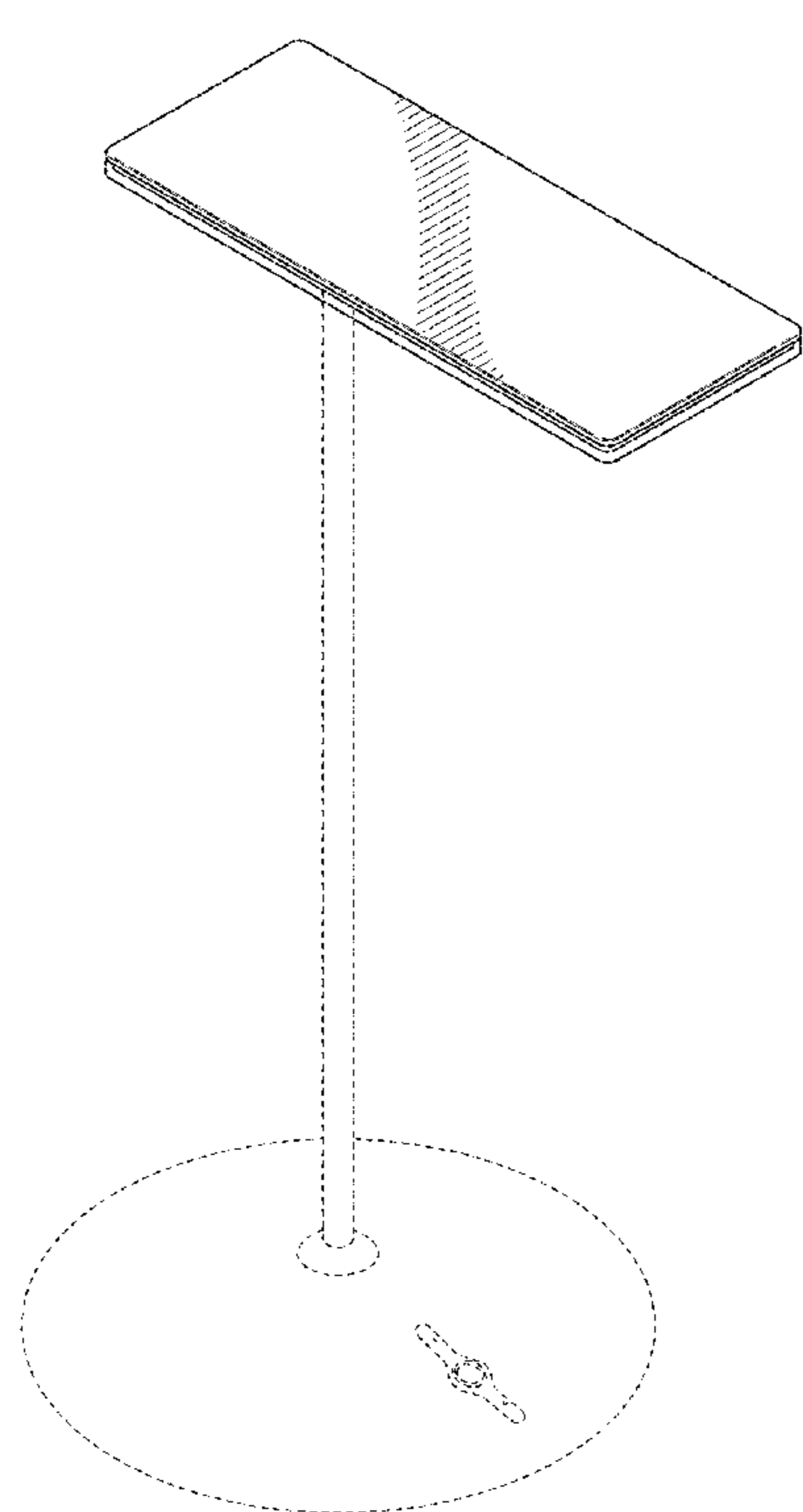
(57) **CLAIM**

We claim the ornamental design for a lamp head, as shown and described.

DESCRIPTION

FIG. 1 is a top perspective view of the lamp head embodying the present invention;
FIG. 2 is a right side view of the lamp head of FIG. 1;
FIG. 3 is a left side view of the lamp head of FIG. 1;
FIG. 4 is a front view of the lamp head of FIG. 1;
FIG. 5 is a rear view of the lamp head of FIG. 1;
FIG. 6 is a top view of the lamp head of FIG. 1; and,
FIG. 7 is a bottom view of the lamp head of FIG. 1.
The broken lines shown herein are for illustrative purposes only and form no part of the claimed design.

1 Claim, 6 Drawing Sheets



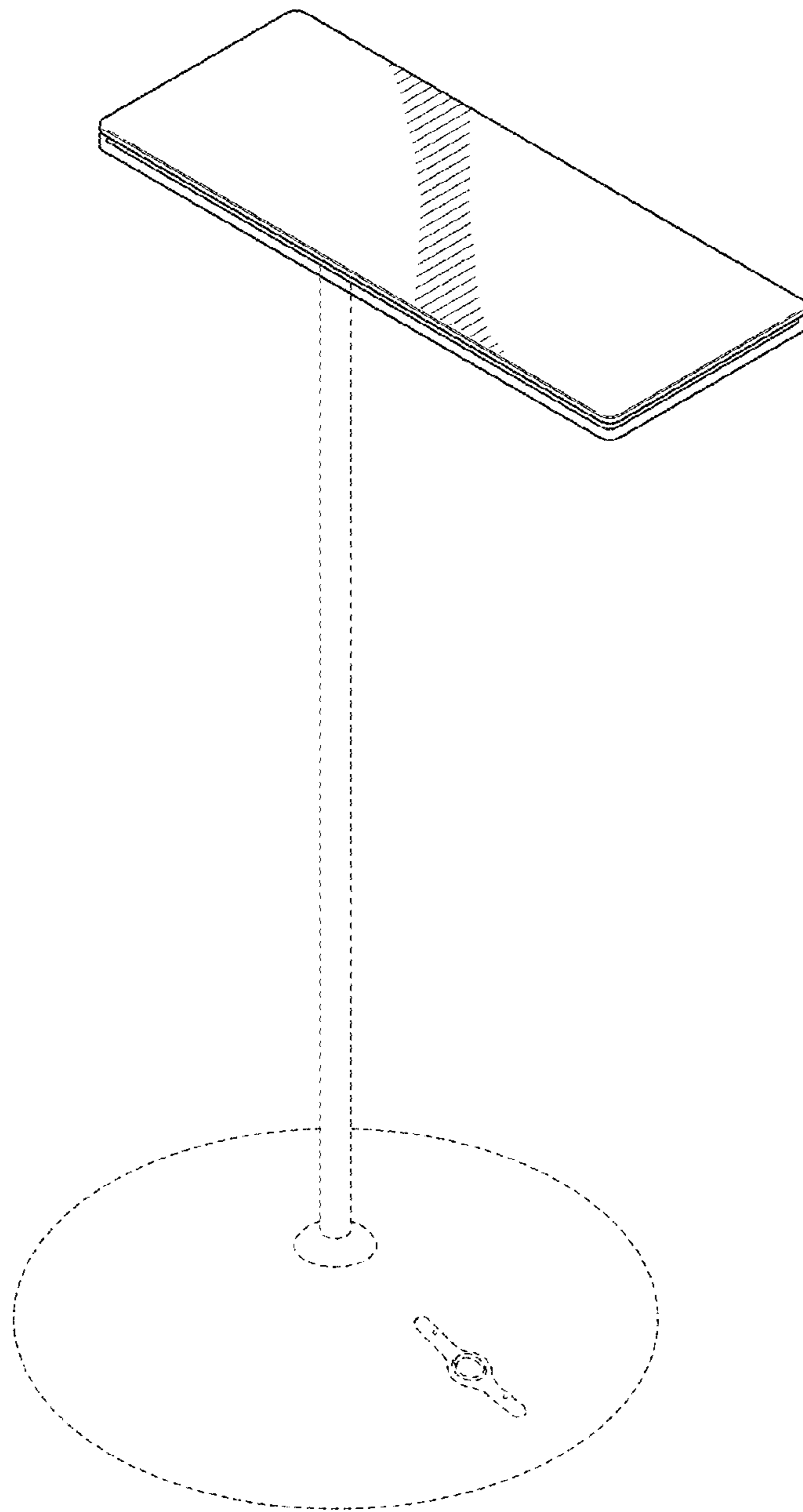


FIG. 1

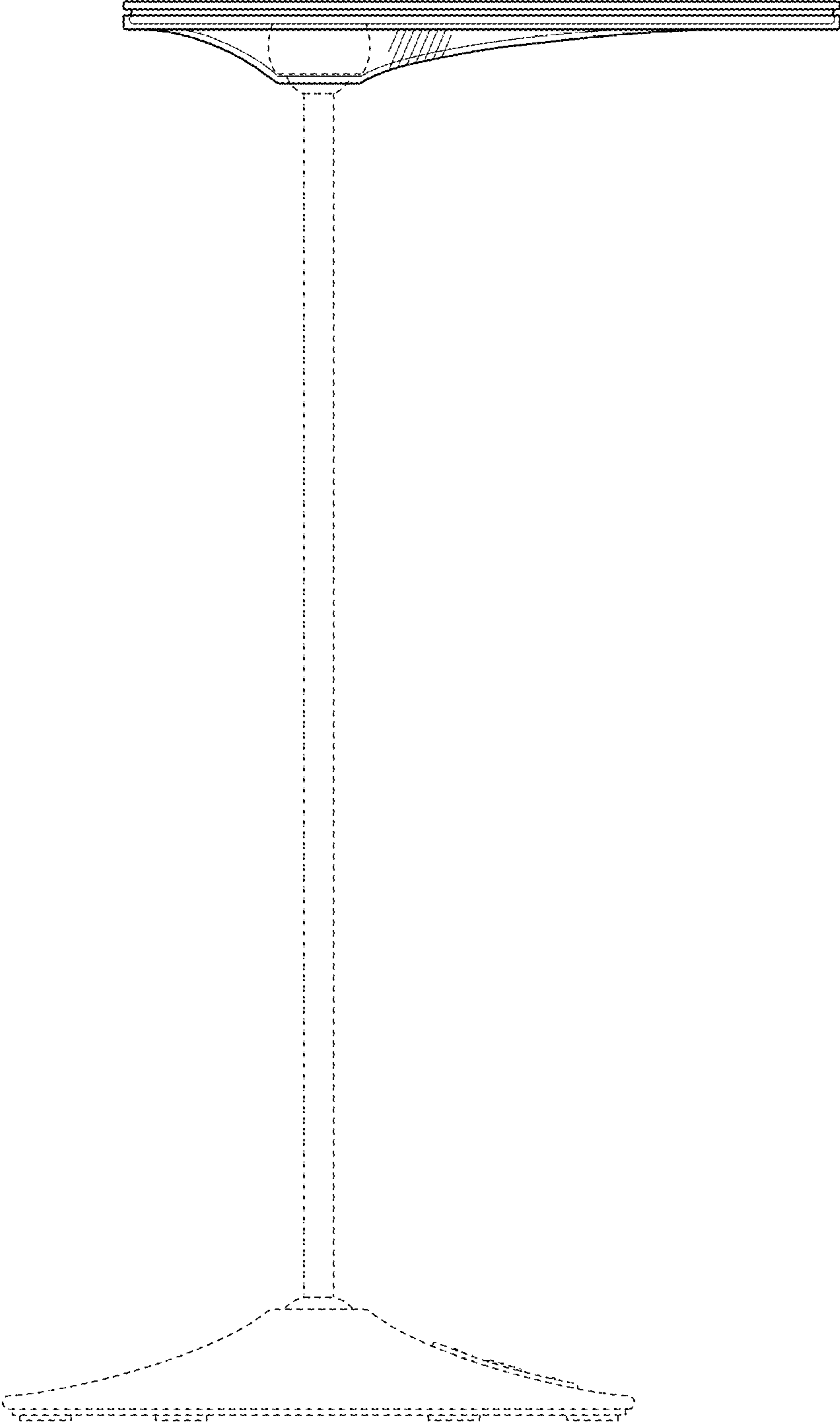


FIG. 2

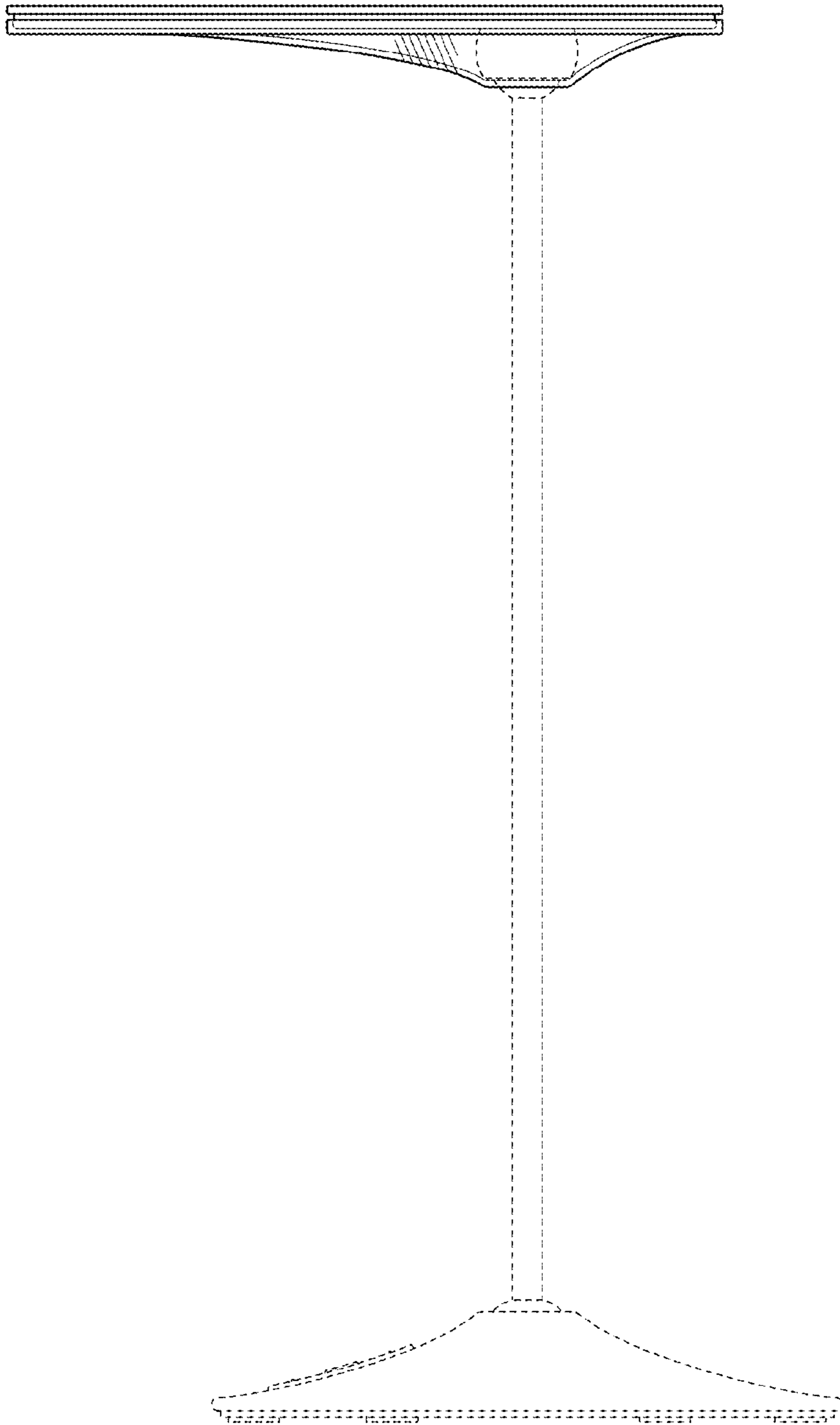


FIG. 3

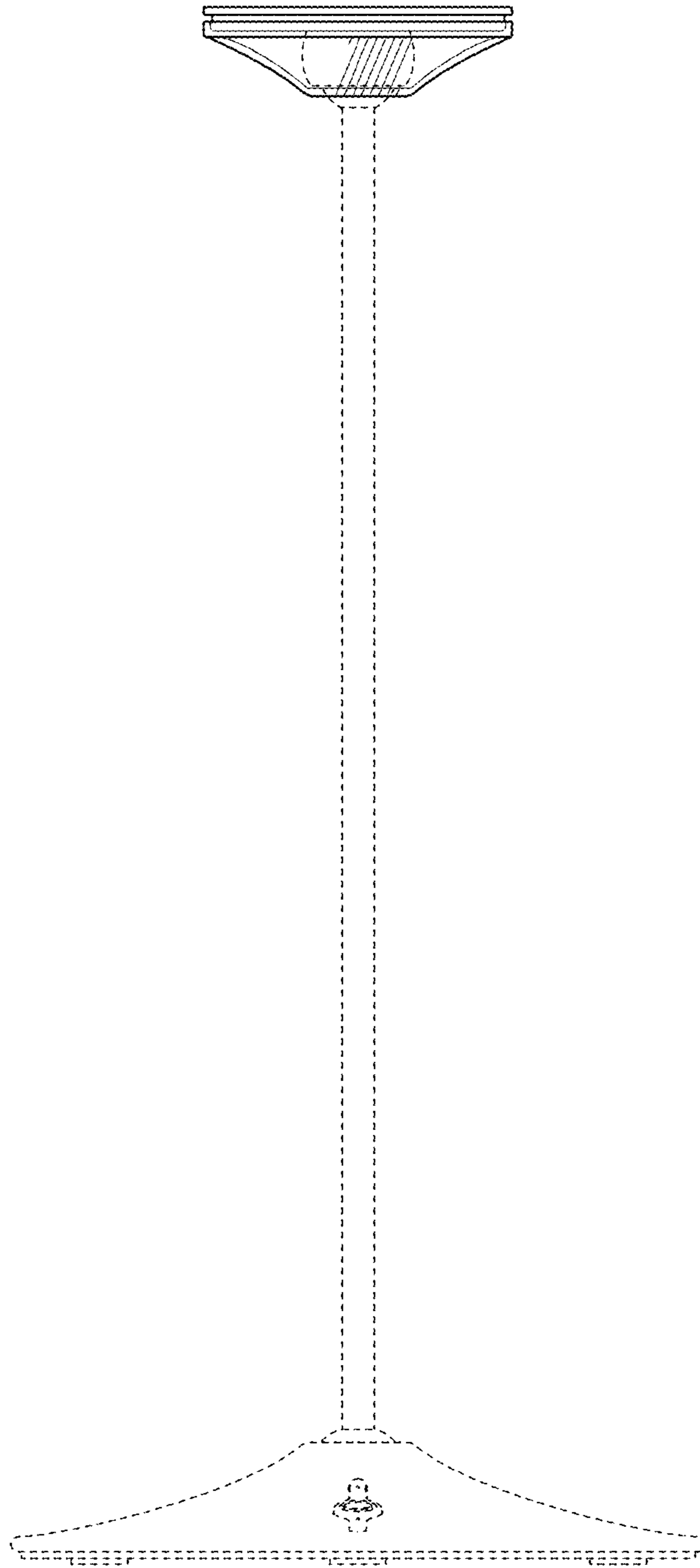


FIG. 4

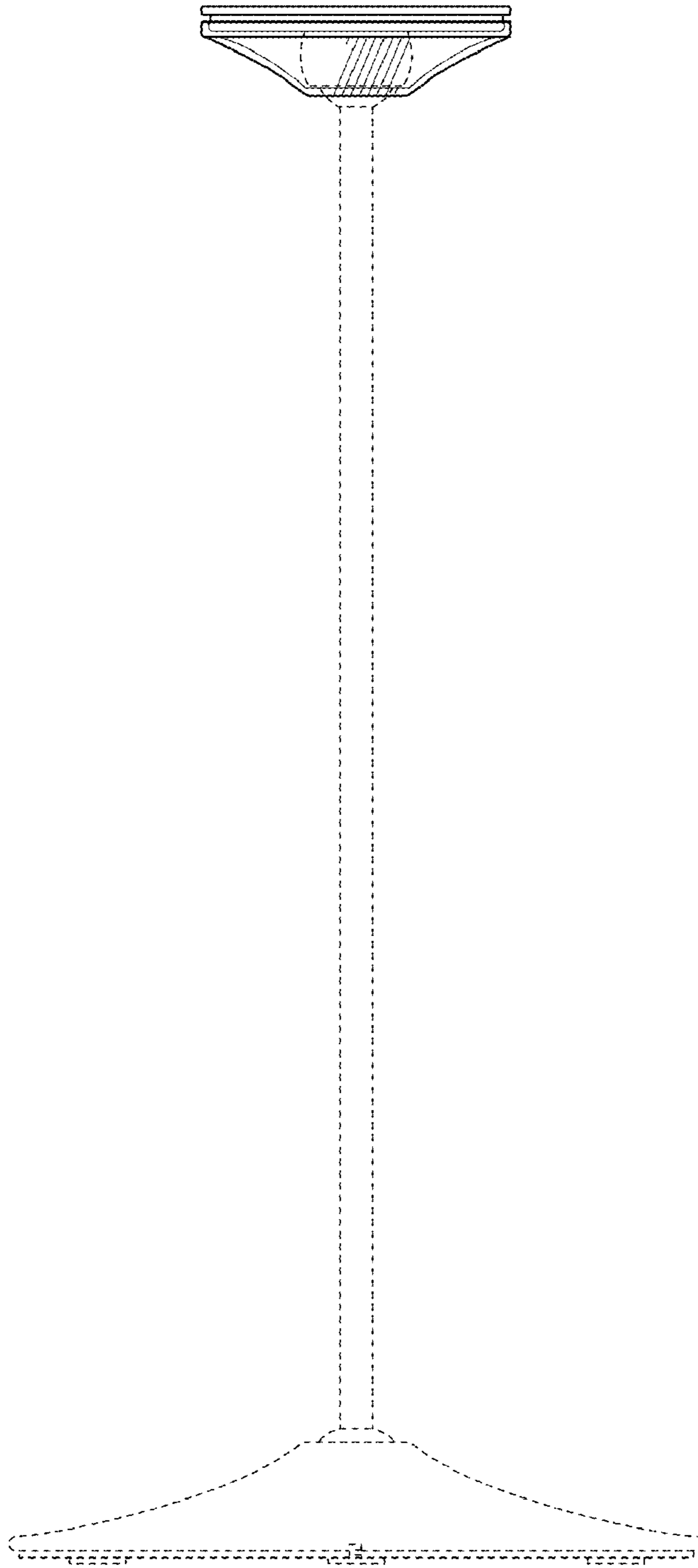


FIG. 5

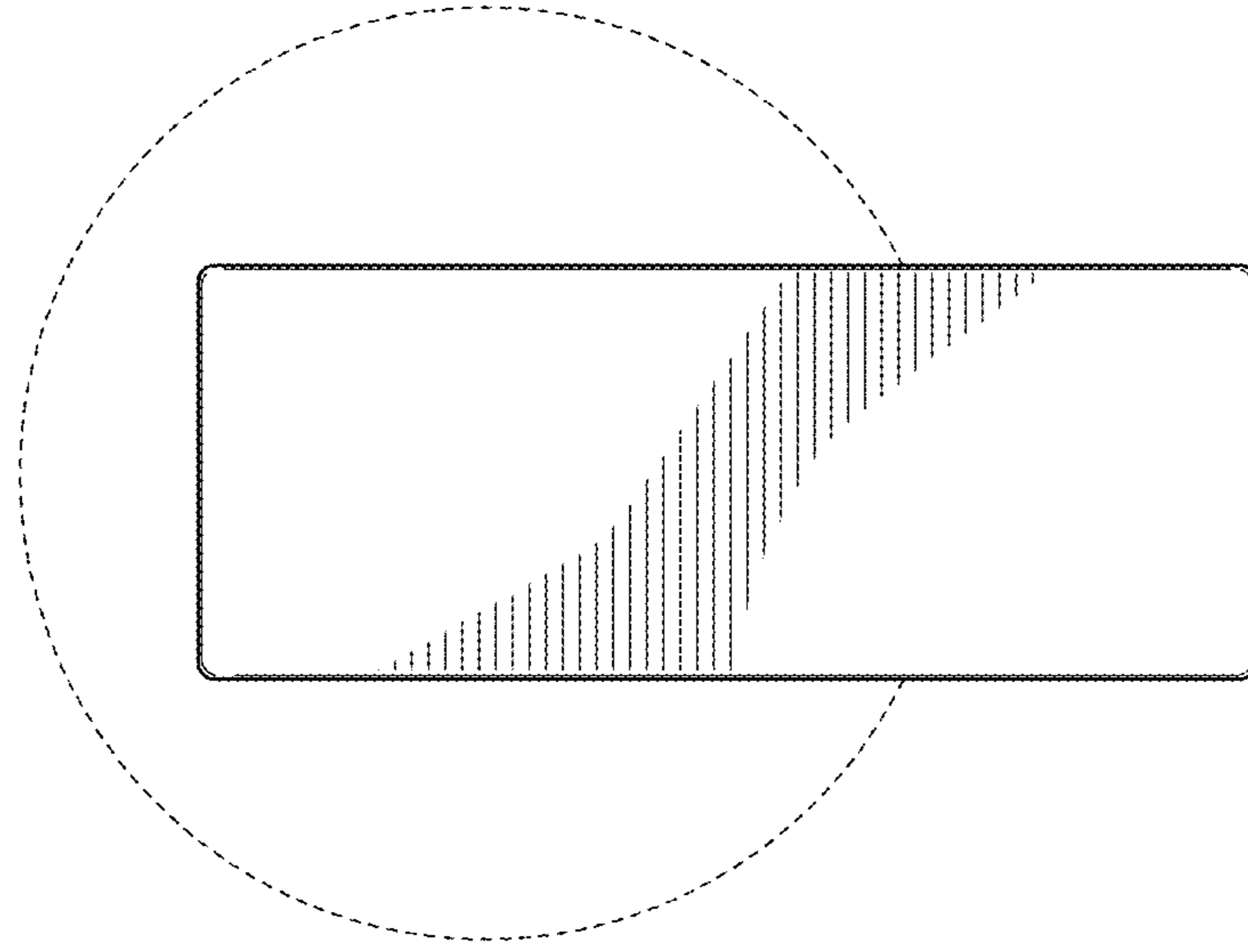


FIG. 6

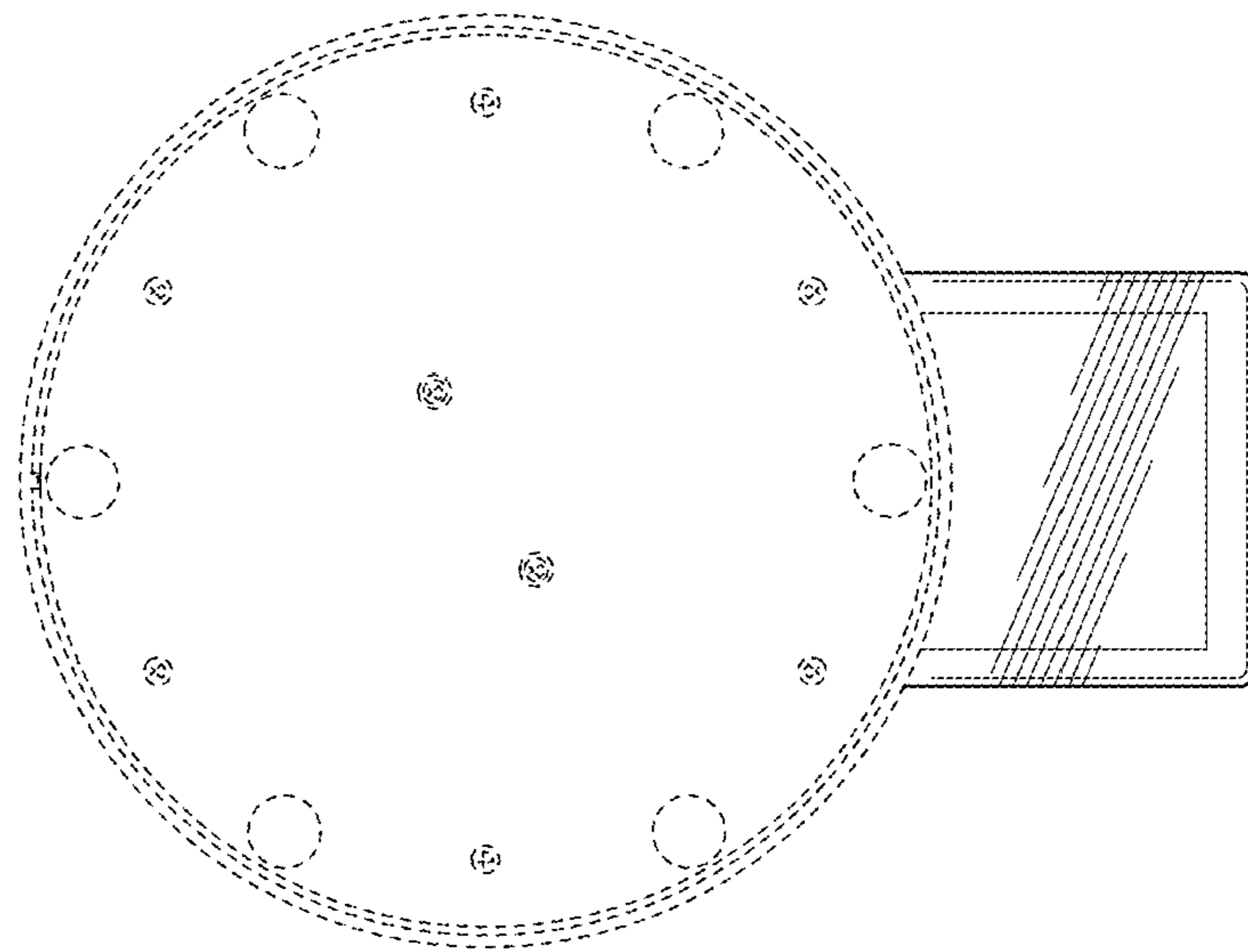


FIG. 7