

US00D671254S

(12) **United States Design Patent**
Miyatake et al.

(10) **Patent No.:** **US D671,254 S**

(45) **Date of Patent:** **** Nov. 20, 2012**

(54) **LIGHTING DEVICE**

(75) Inventors: **Tetsuya Miyatake**, Osaka (JP); **Koichi Hazumi**, Osaka (JP)

(73) Assignee: **Patlite Corporation**, Osaka-Fu (JP)

(**) Term: **14 Years**

(21) Appl. No.: **29/370,943**

(22) Filed: **Sep. 23, 2010**

(30) **Foreign Application Priority Data**

Mar. 31, 2010 (JP) 2010-008007

(51) **LOC (9) Cl.** **26-05**

(52) **U.S. Cl.** **D26/75**

(58) **Field of Classification Search** D26/42,
D26/75-85, 88, 89, 72, 25, 3; 362/555, 14,
362/148, 150, 217.01, 217.05, 217.06, 217.07,
362/217.08, 217.09, 217.1, 217.12
See application file for complete search history.

(56) **References Cited**

U.S. PATENT DOCUMENTS

D128,054 S *	7/1941	Mitchell	D26/60
D280,346 S *	8/1985	Aspenwall	D26/75
D344,605 S *	2/1994	Aspenwall	D26/76
D381,760 S *	7/1997	Costa	D26/76
D418,239 S *	12/1999	Zeller	D26/60
D489,472 S *	5/2004	Newhouse et al.	D26/75

D520,667 S *	5/2006	Jae-Sung et al.	D26/76
D554,793 S *	11/2007	Bobel	D26/76
D577,138 S *	9/2008	Kitagawa et al.	D26/37
D589,199 S *	3/2009	Pedersen	D26/85
D592,349 S *	5/2009	Maxik et al.	D26/76
D611,643 S *	3/2010	Owen	D26/76
D621,083 S *	8/2010	Coushaine et al.	D26/61
D636,504 S *	4/2011	Duster	D26/3
D658,798 S *	5/2012	Hillard	D26/51
D662,245 S *	6/2012	Steffy	D26/75

* cited by examiner

Primary Examiner — Stella Reid

Assistant Examiner — Carissa C Fitts

(74) *Attorney, Agent, or Firm* — DLA Piper LLP (US)

(57) **CLAIM**

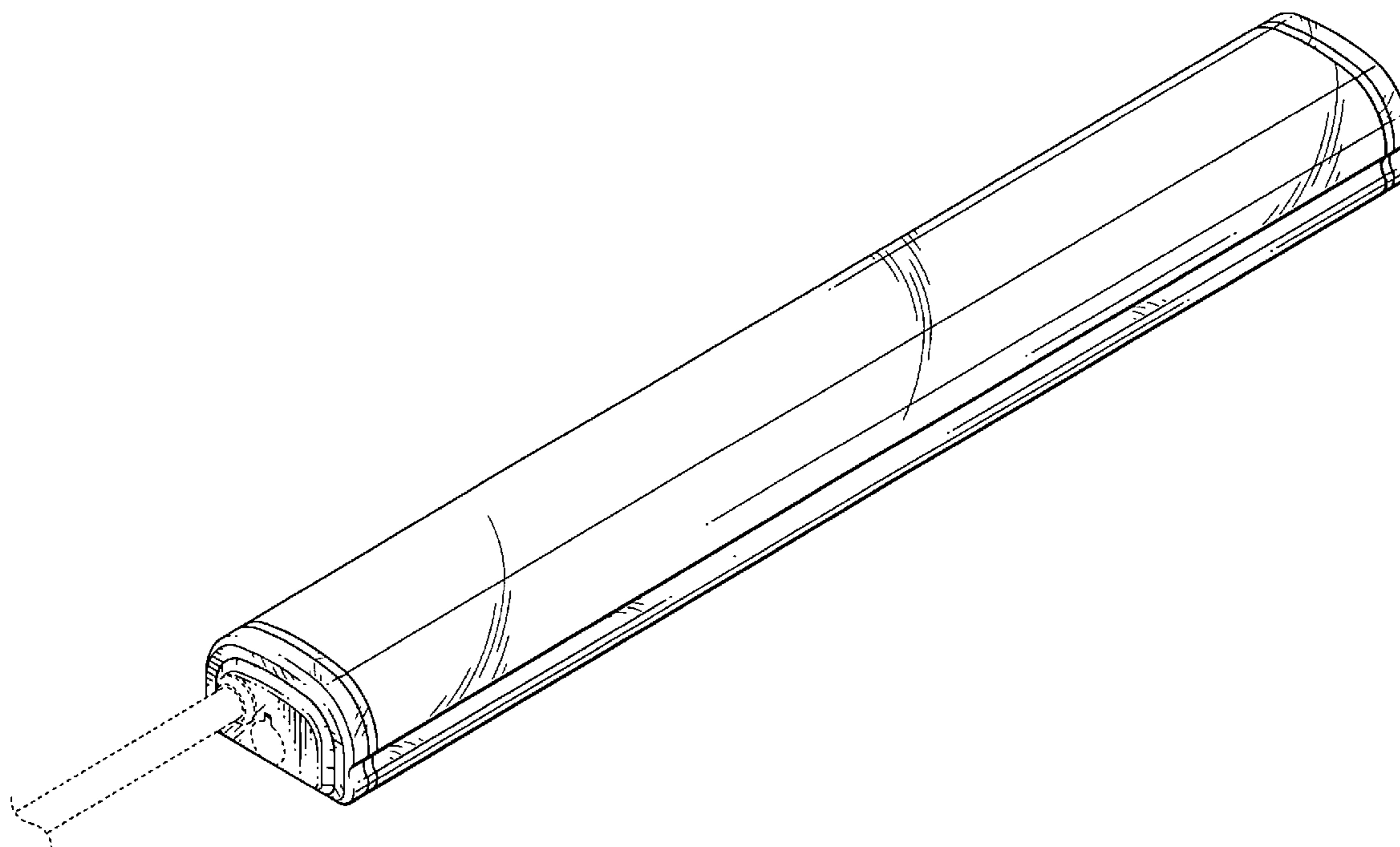
The ornamental design for a lighting device, as shown and described.

DESCRIPTION

FIG. 1 is perspective view taken from the front, left and top of a lighting device showing my new design; FIG. 2 is a front elevational view of the lighting device; FIG. 3 is a rear elevational view thereof; FIG. 4 is a top plan view thereof; FIG. 5 is a bottom plan view thereof; FIG. 6 is a left side elevational view thereof; and, FIG. 7 is a right side elevational view thereof.

The broken line representations in FIGS. 1-6 are for purpose of illustration only and not a part of the design.

1 Claim, 3 Drawing Sheets



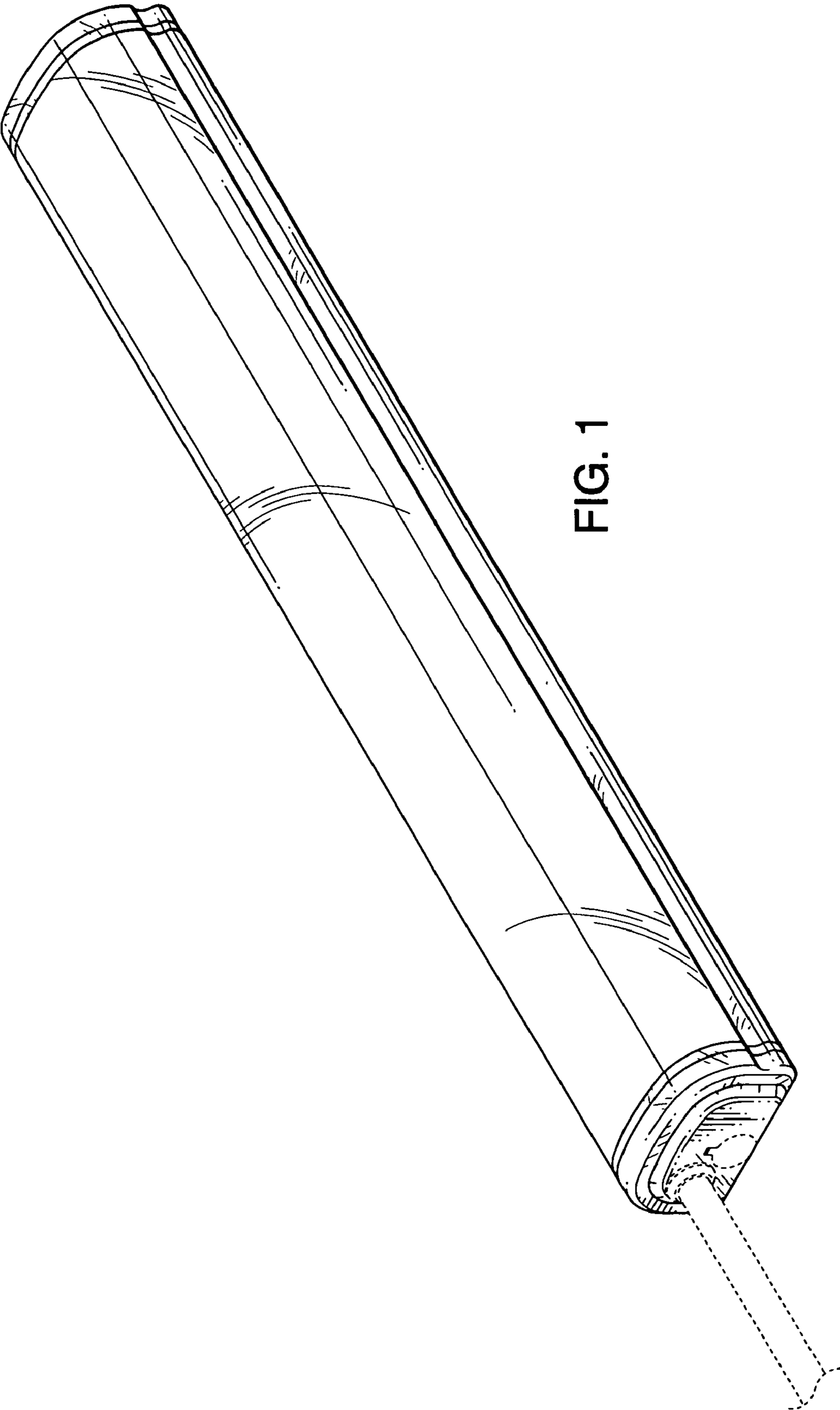


FIG. 1

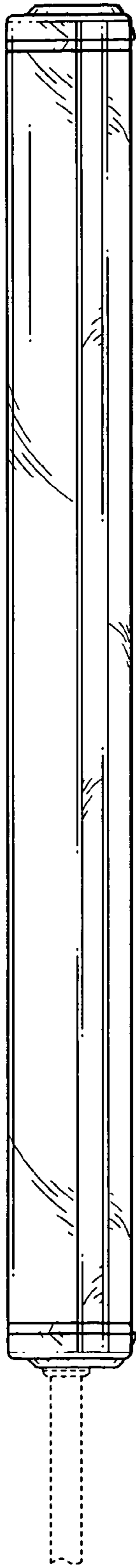


FIG. 2

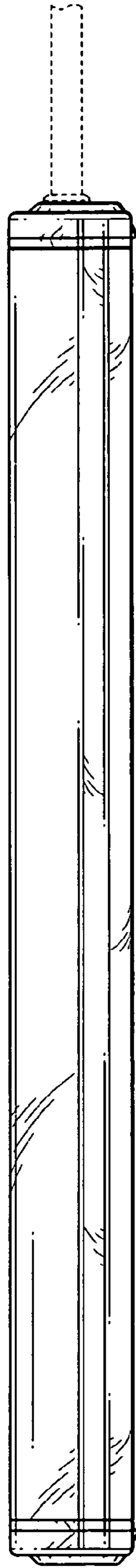


FIG. 3

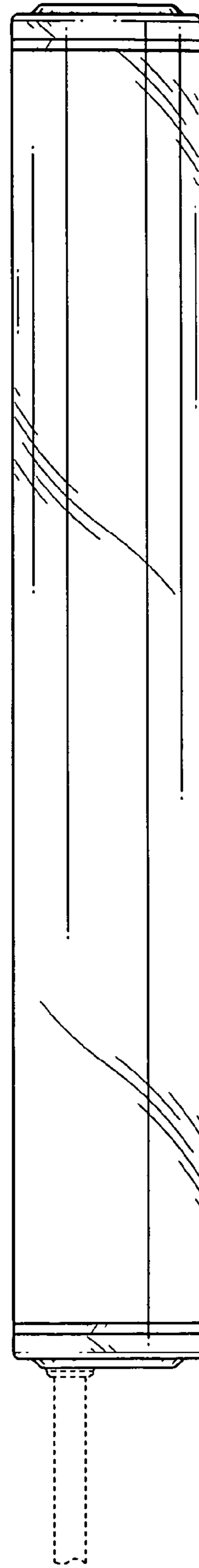


FIG. 4

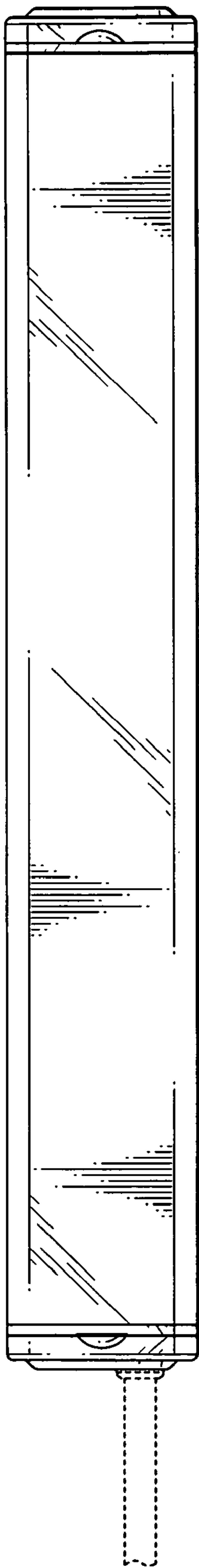


FIG. 5

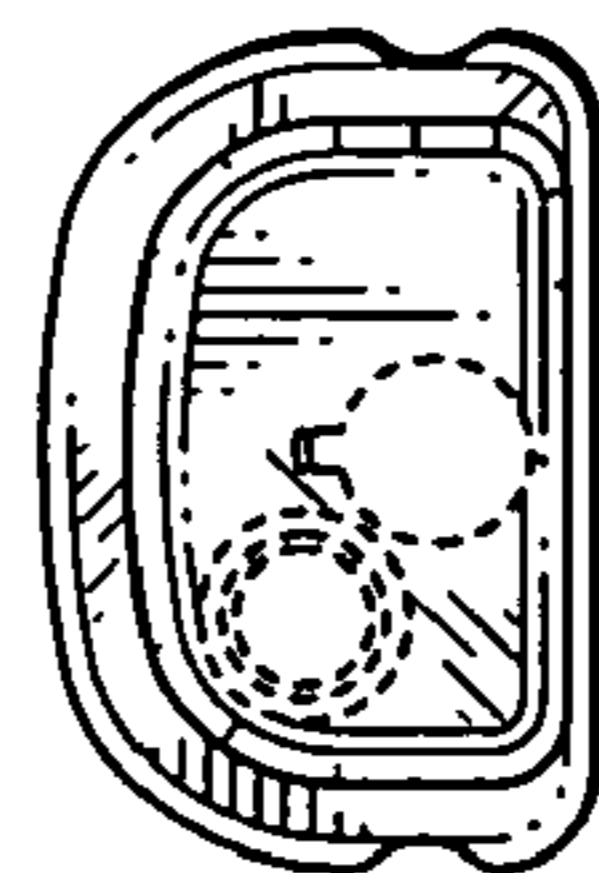


FIG. 6

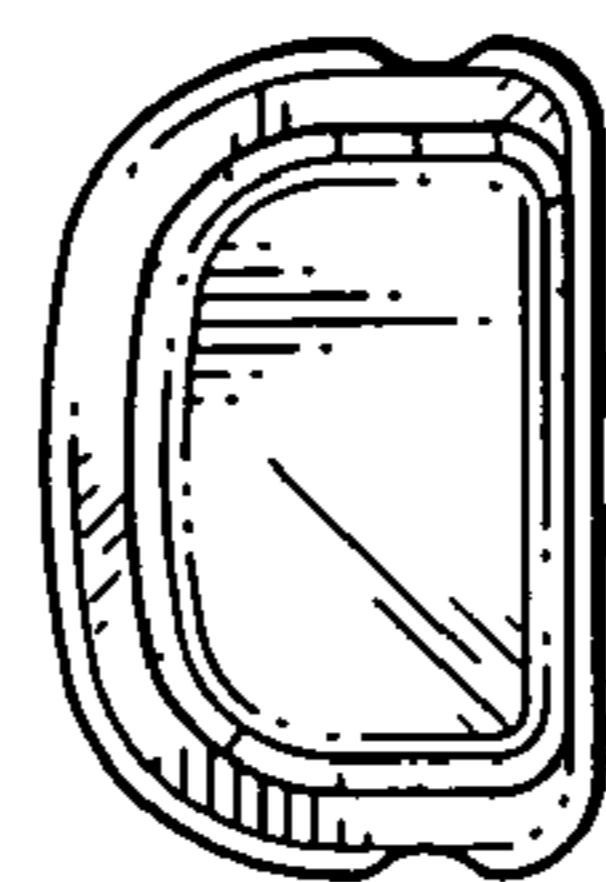


FIG. 7