



US00D671252S

(12) **United States Design Patent**  
**You**

(10) **Patent No.:** **US D671,252 S**  
(45) **Date of Patent:** **\*\* Nov. 20, 2012**

(54) **SPOTLIGHT**

(75) Inventor: **Tae Woo You**, Seoul (KR)

(73) Assignee: **Dongmyung Lighting Co., Ltd.**,  
Gyeonggi-do (KR)

(\*\*) Term: **14 Years**

(21) Appl. No.: **29/394,866**

(22) Filed: **Jun. 22, 2011**

(30) **Foreign Application Priority Data**

Mar. 2, 2011 (KR) ..... 30-2011-0008355

(51) **LOC (9) Cl.** ..... **26-05**

(52) **U.S. Cl.** ..... **D26/63**

(58) **Field of Classification Search** ..... D26/60-66,  
D26/72, 81, 83-85, 87-92, 118; 362/647,  
362/648, 371-373, 264, 145, 147, 148, 271,  
362/289, 31.13, 319, 404, 408, 430, 432,  
362/213, 215, 269, 270, 280-285, 287, 288,  
362/419, 427

See application file for complete search history.

(56) **References Cited**

**U.S. PATENT DOCUMENTS**

D538,959 S *	3/2007	Kosche	.....	D26/63
D541,456 S *	4/2007	Kosche	.....	D26/63
D568,518 S *	5/2008	Schmidt	.....	D26/63
D585,579 S *	1/2009	Lehman	.....	D26/63

D587,832 S *	3/2009	Bergmann et al.	.....	D26/63
D625,451 S *	10/2010	Rashidi	.....	D26/63
D625,867 S *	10/2010	Rashidi	.....	D26/63
D625,868 S *	10/2010	Rashidi	.....	D26/63
D625,869 S *	10/2010	Rashidi	.....	D26/63
D627,498 S *	11/2010	Chipperfield	.....	D26/63
7,850,363 B1 *	12/2010	Speidel et al.	.....	362/648
D630,360 S *	1/2011	Rashidi	.....	D26/63
D630,361 S *	1/2011	Rashidi	.....	D26/63
D642,720 S *	8/2011	You	.....	D26/63
2010/0128483 A1 *	5/2010	Reo et al.	.....	362/294
2010/0277933 A1 *	11/2010	Chen	.....	362/432

\* cited by examiner

*Primary Examiner* — Susan M Lee

*Assistant Examiner* — Linda G. Brooks

(74) *Attorney, Agent, or Firm* — Sheridan Ross P.C.

(57) **CLAIM**

The ornamental design for a spotlight, as shown and described.

**DESCRIPTION**

FIG. 1 is a top perspective view of the spotlight showing my new design;

FIG. 2 is a front elevation view thereof;

FIG. 3 is a rear elevation view thereof;

FIG. 4 is a left elevation view thereof;

FIG. 5 is a right elevation view thereof;

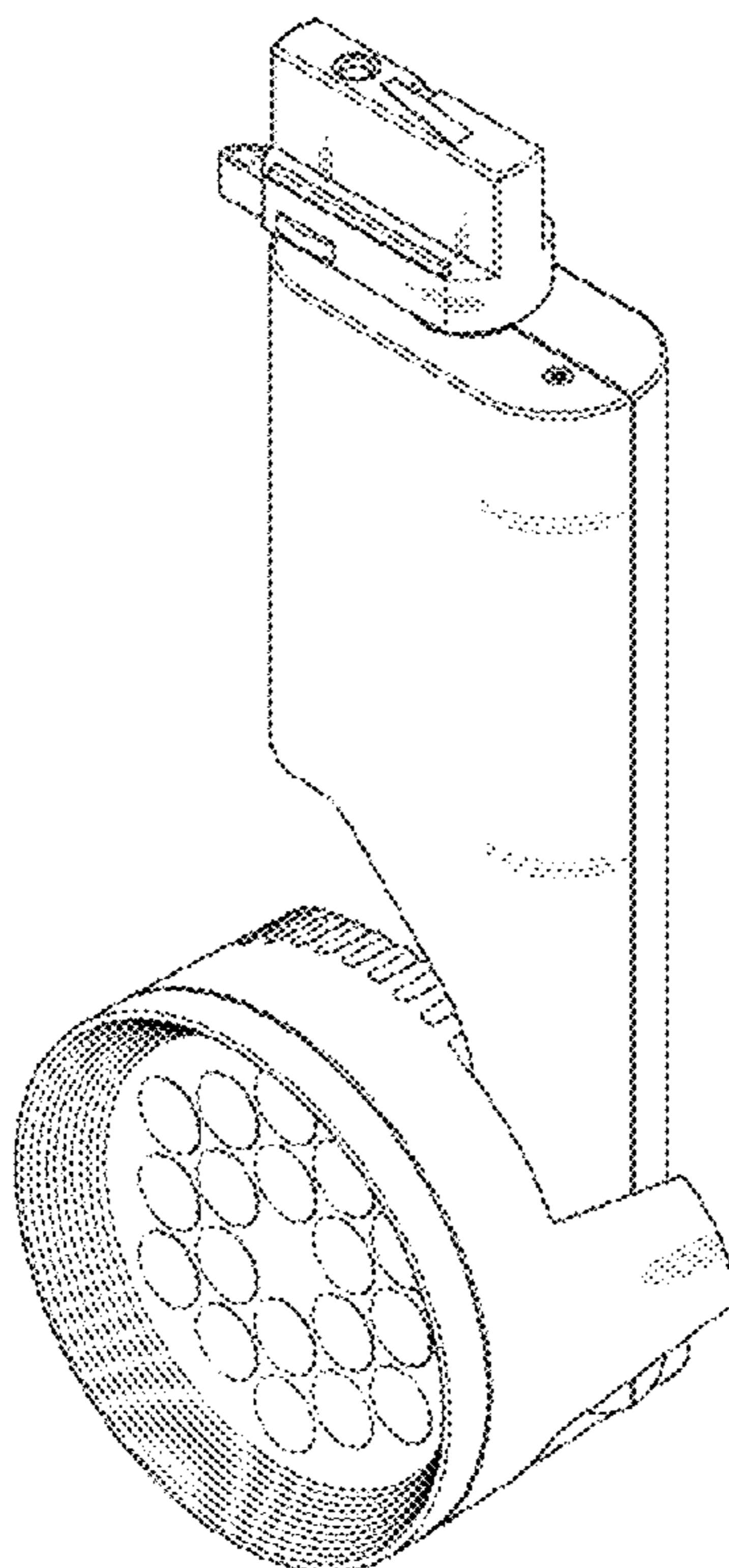
FIG. 6 is a top plan view thereof;

FIG. 7 is a bottom view thereof;

FIG. 8 is a rear perspective view thereof; and,

FIG. 9 is a bottom perspective view thereof.

**1 Claim, 9 Drawing Sheets**



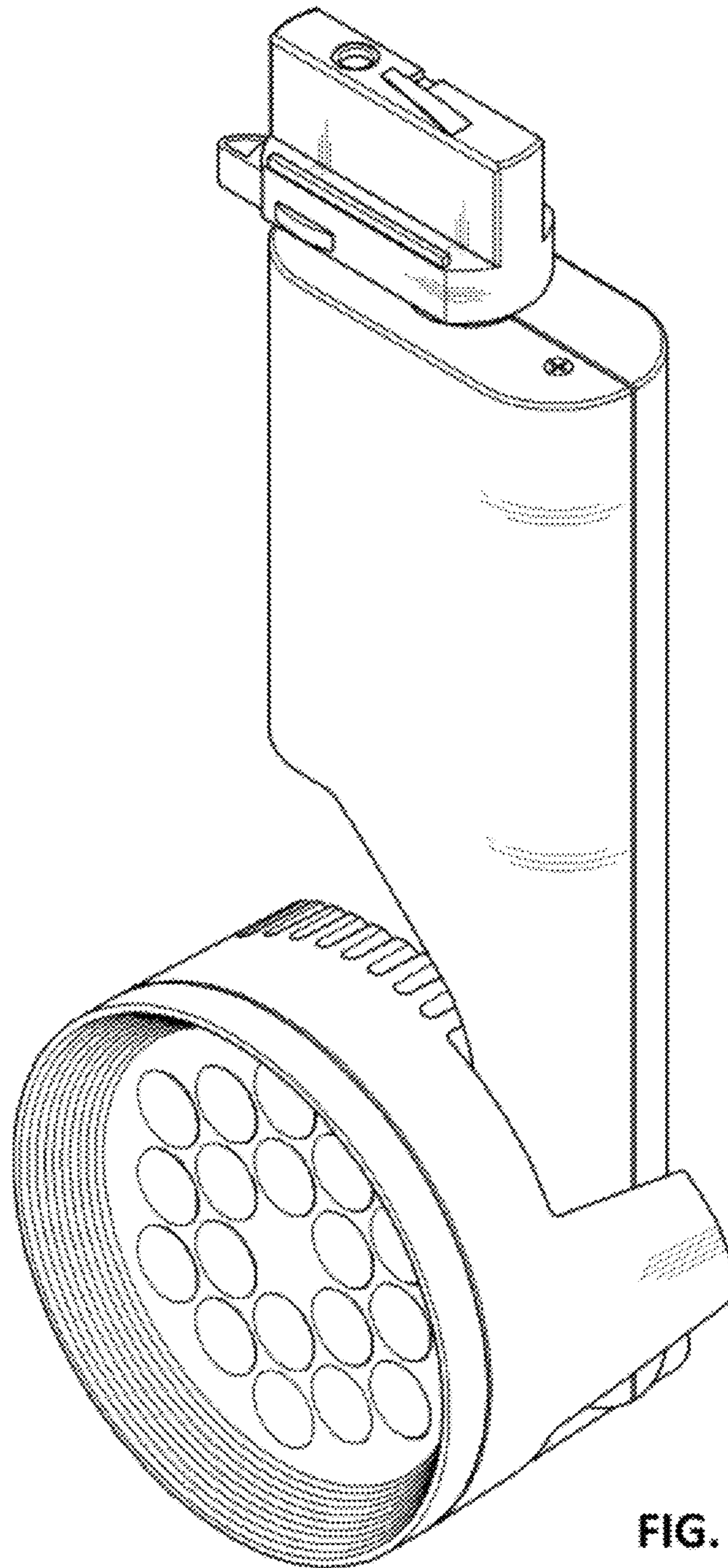


FIG. 1

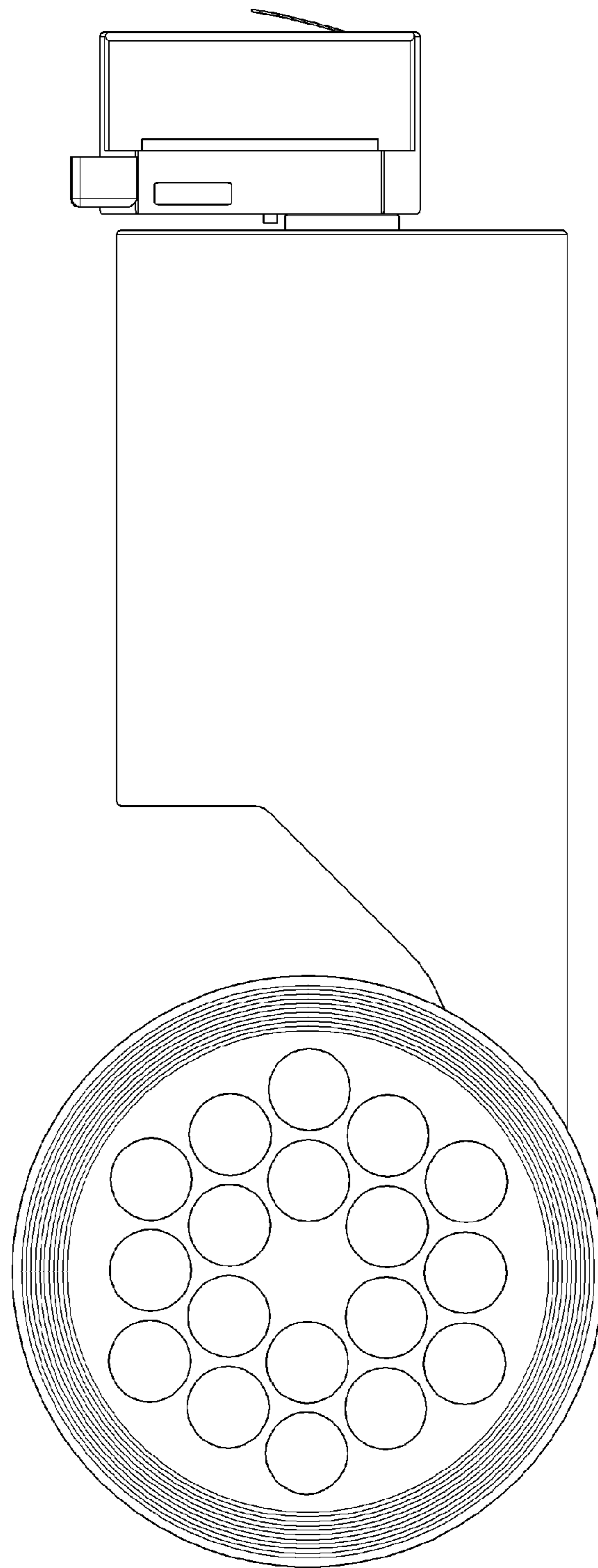


FIG. 2



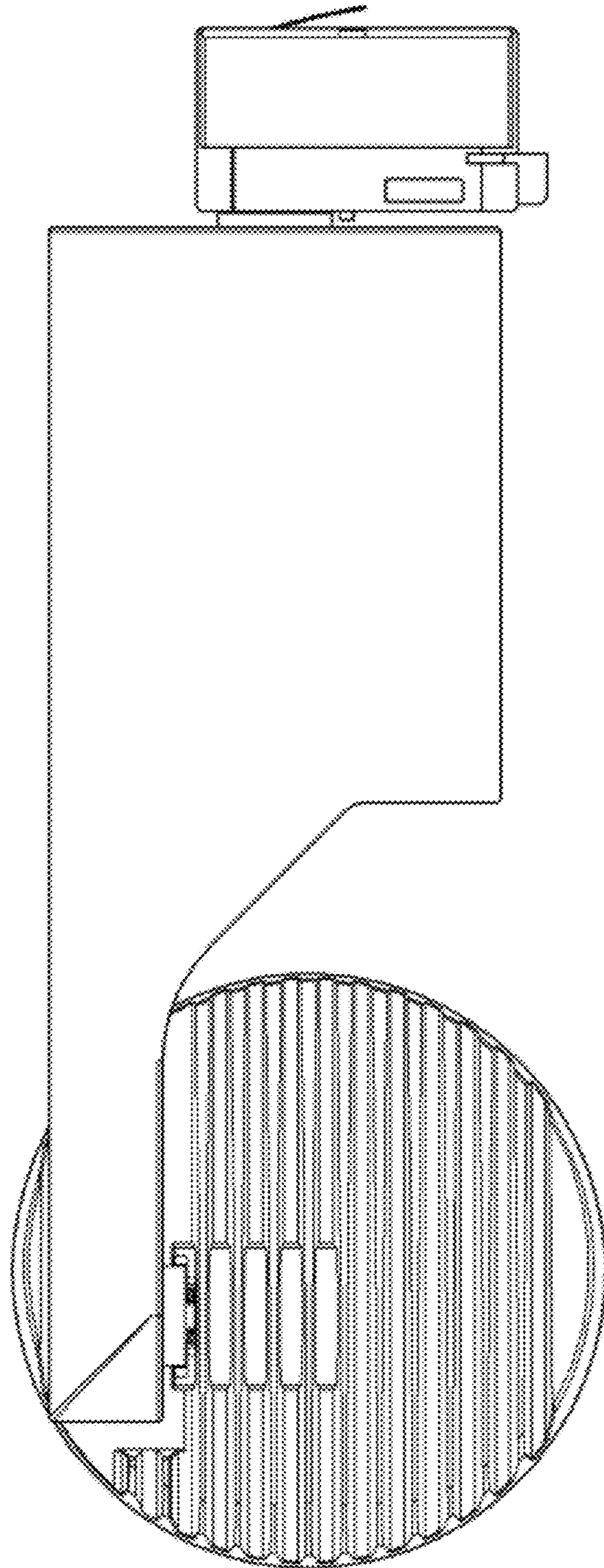


FIG. 3

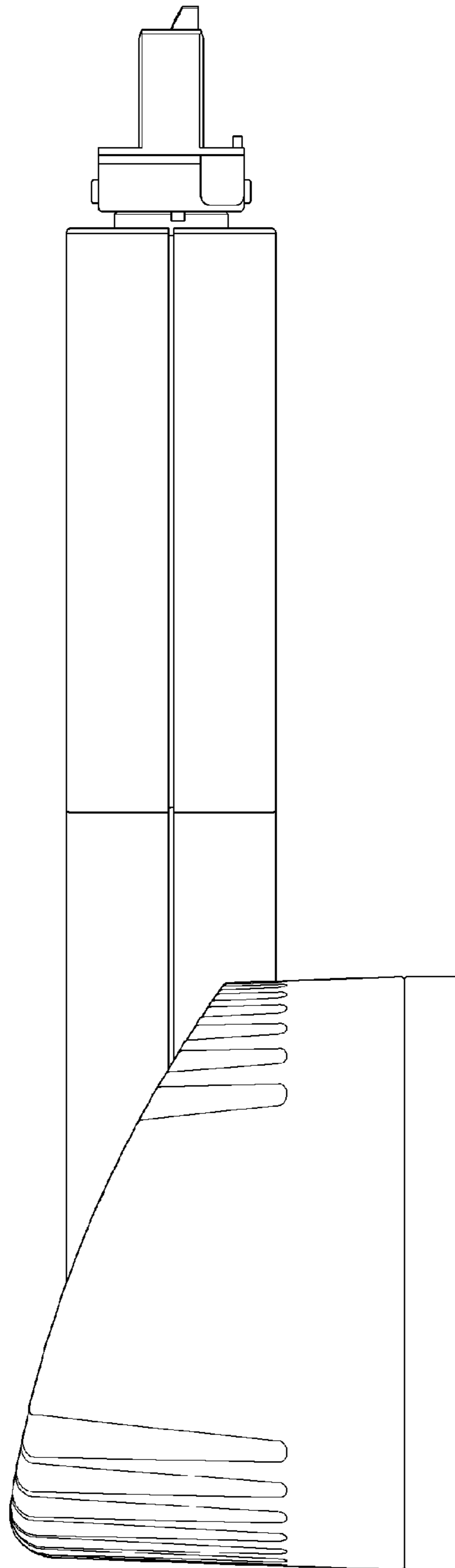


FIG. 4

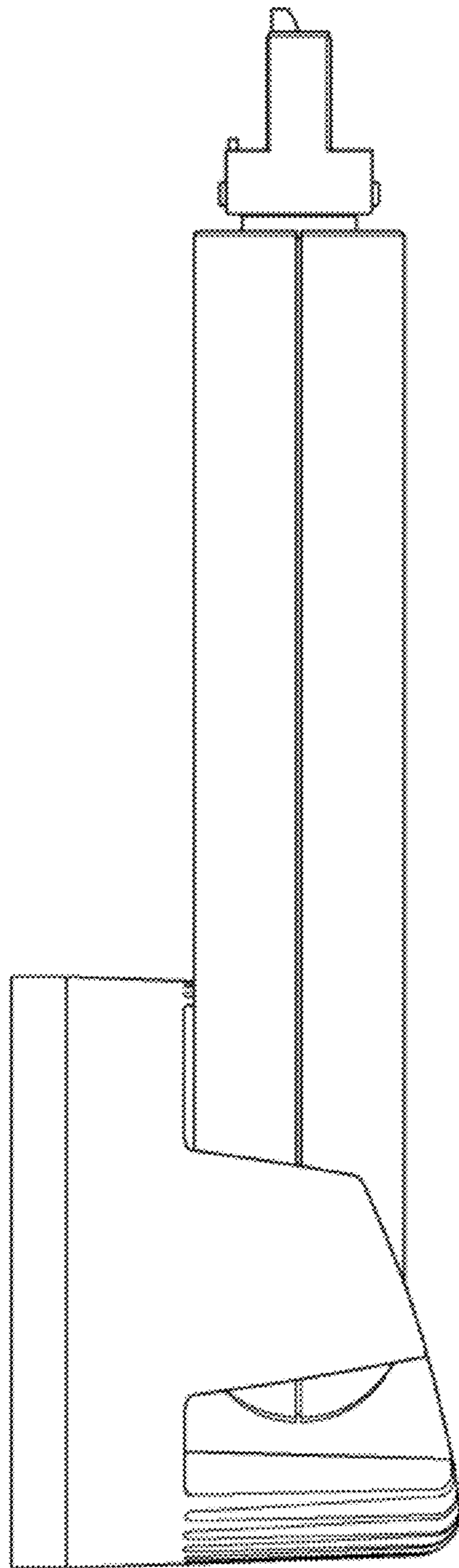


FIG. 5

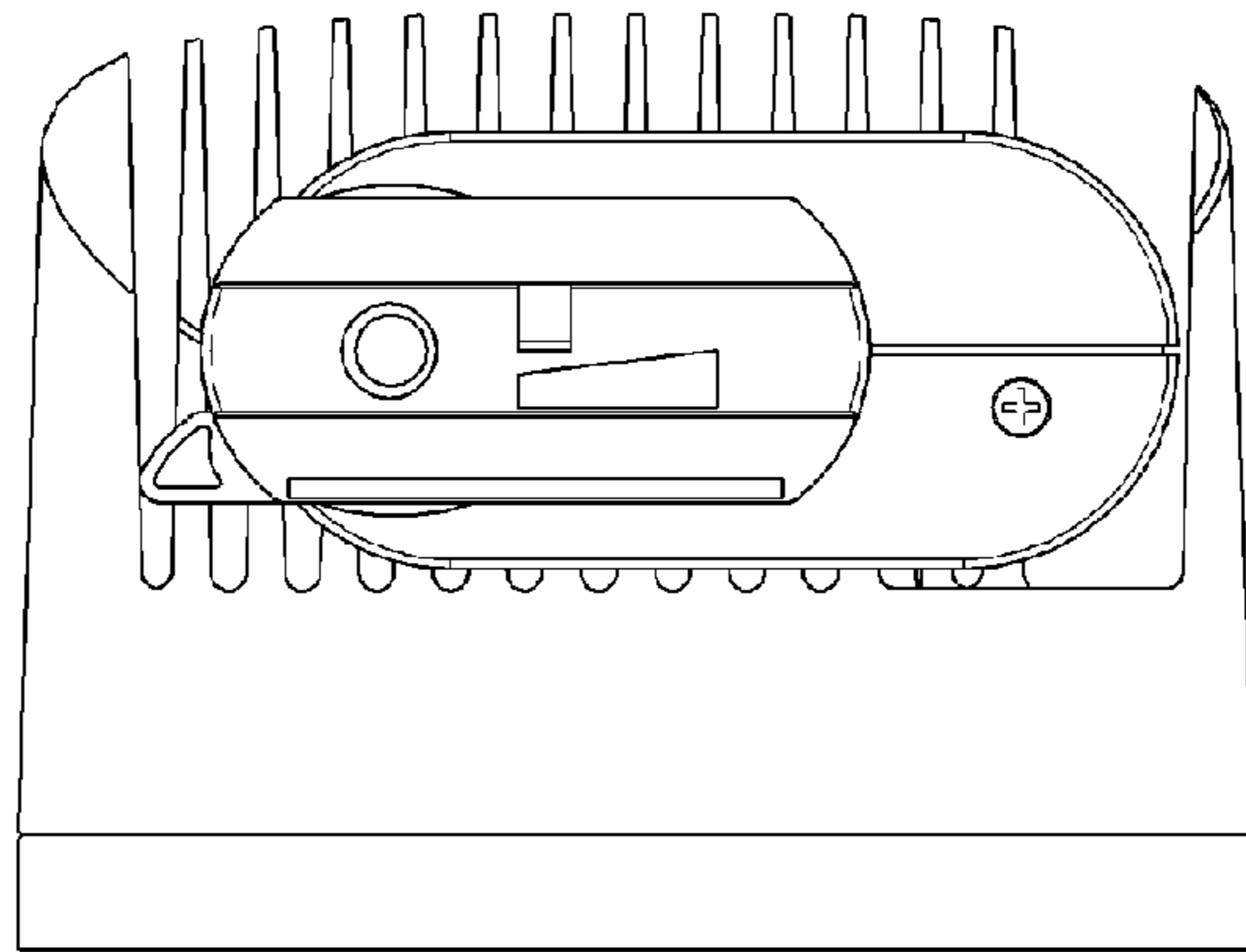


FIG. 6

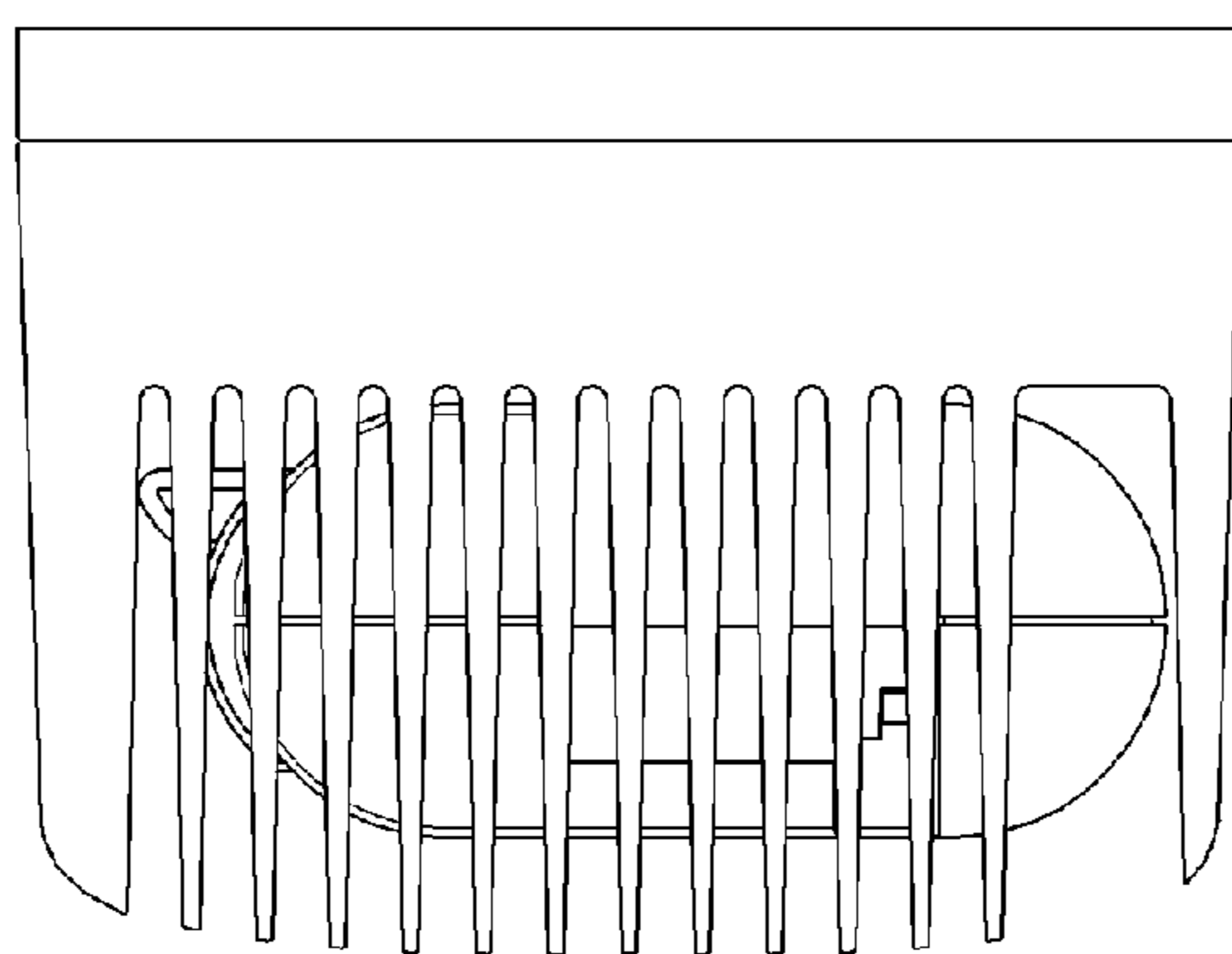


FIG. 7



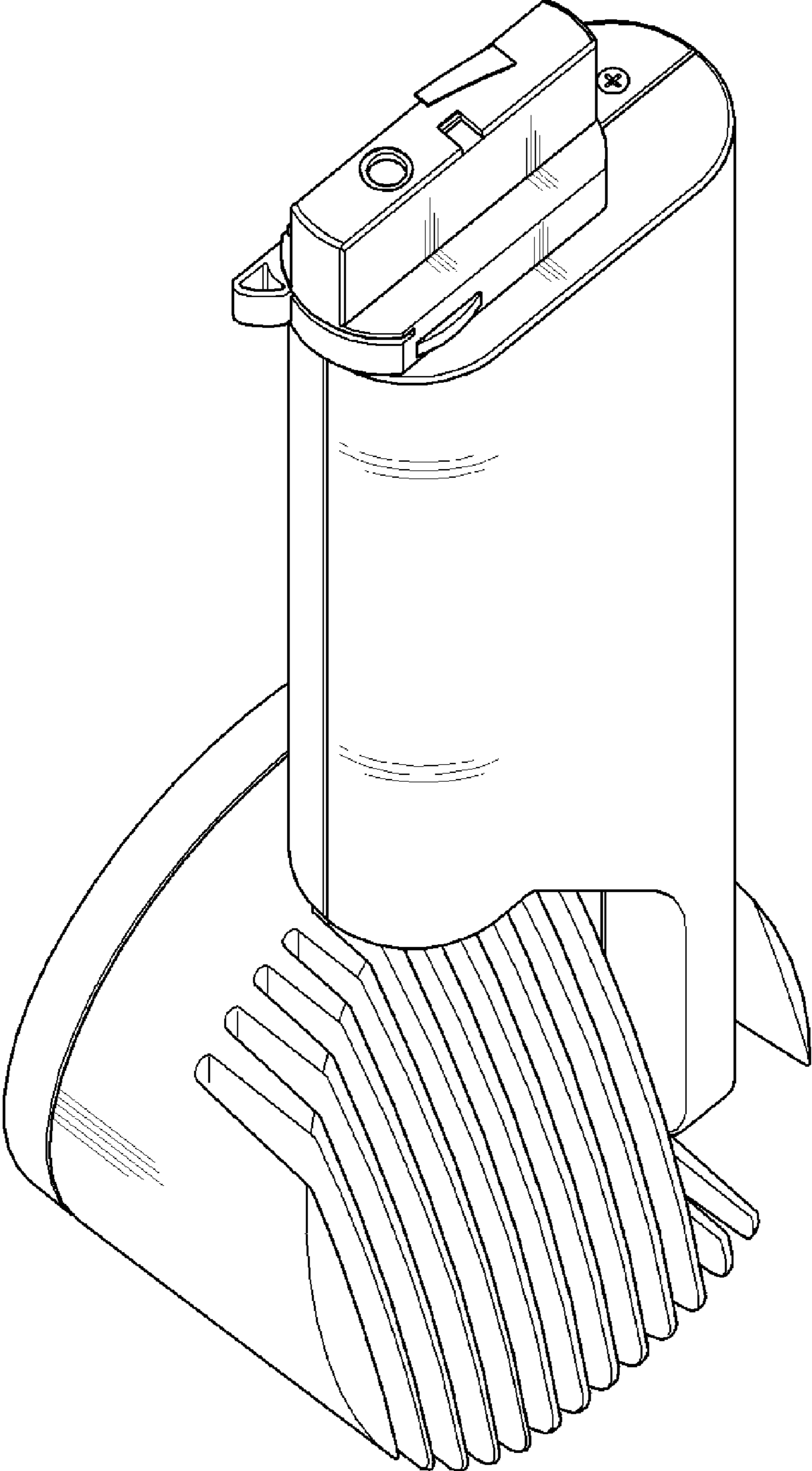


FIG. 8

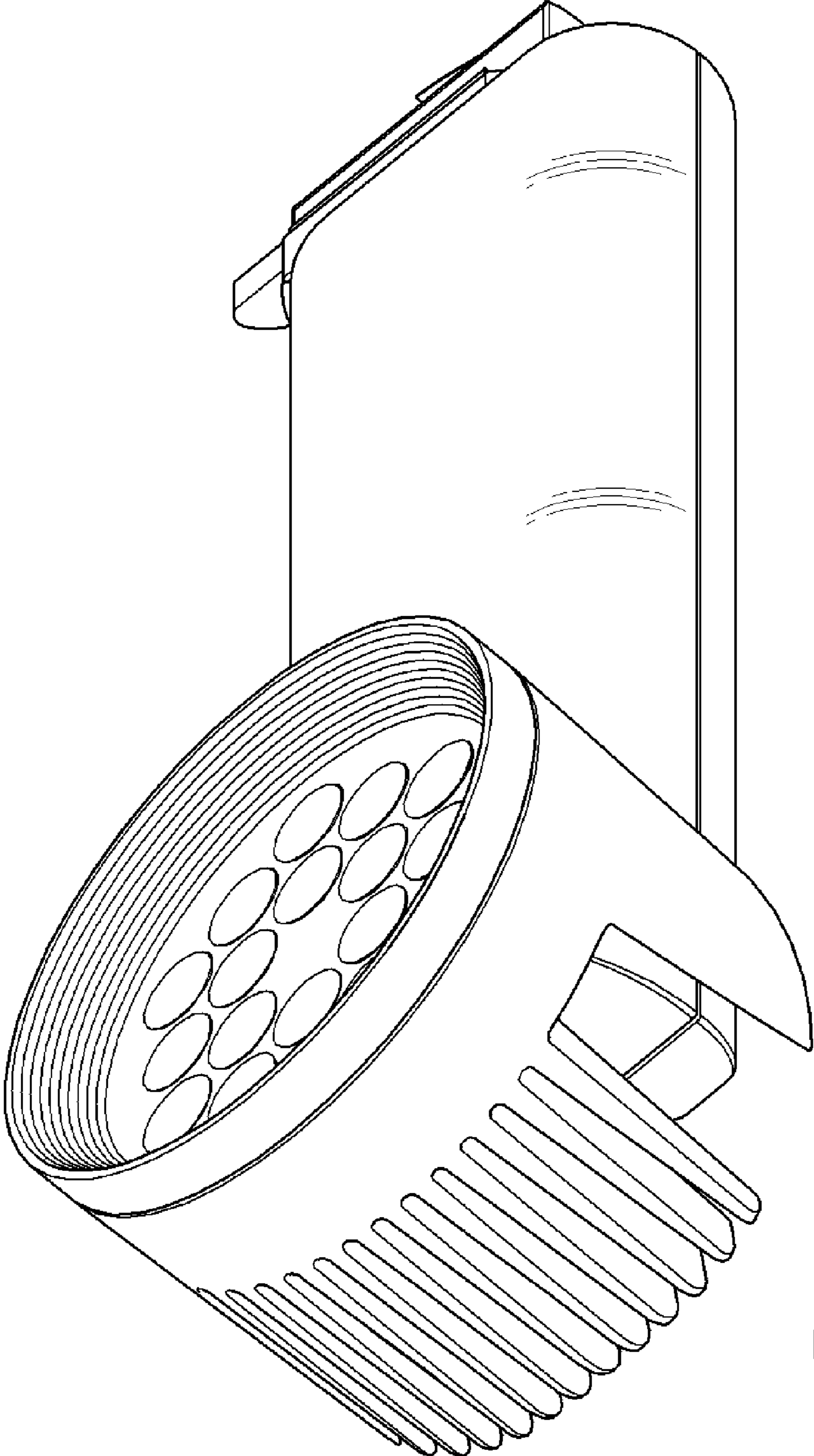


FIG. 9