



US00D671251S

(12) **United States Design Patent**  
**Piegras et al.**

(10) **Patent No.:** **US D671,251 S**

(45) **Date of Patent:** **\*\* Nov. 20, 2012**

(54) **LIGHTING FIXTURE**

(75) Inventors: **Colin Piegras**, Swampscott, MA (US);  
**Steve Kondo**, Quincy, MA (US)

(73) Assignee: **Digital Lumens, Inc.**, Boston, MA (US)

(\*\*) Term: **14 Years**

(21) Appl. No.: **29/390,615**

(22) Filed: **Apr. 27, 2011**

(51) **LOC (9) Cl.** ..... **26-05**

(52) **U.S. Cl.** ..... **D26/63**

(58) **Field of Classification Search** ..... D26/61,  
D26/63-66, 72, 80-91, 118, 120-122; 362/147,  
362/148, 150, 404-408, 418, 419, 427, 420,  
362/428, 449, 362, 364, 366-368, 372, 401,  
362/403, 800, 211, 213, 217.01, 217.02,  
362/219, 220, 222-225, 217.1, 227, 232,  
362/233, 235-248, 249.1, 264, 268-272,  
362/277-287, 373, 218; 315/149-159

See application file for complete search history.

(56) **References Cited**

**U.S. PATENT DOCUMENTS**

2,899,541	A	8/1957	De Mauro
D185,410	S	6/1959	Bodian
D191,530	S	10/1961	Zurawski
D200,548	S	3/1965	Reeves
D290,524	S	6/1987	Kusmer
D296,013	S	5/1988	Layne et al.
4,755,920	A	7/1988	Tinley
D300,471	S	3/1989	Szymanek
5,055,985	A	10/1991	Fabbri
D374,301	S	10/1996	Kleffman
D405,554	S	2/1999	Klaus
6,092,913	A	7/2000	Edwards, Jr.
D457,977	S	5/2002	Mier-Langner et al.
6,428,183	B1	8/2002	McAlpin
D463,610	S	9/2002	Piegras et al.
6,517,218	B2	2/2003	Hochstein
D482,662	S	11/2003	Foster et al.

6,641,284	B2	11/2003	Stopa et al.
6,652,119	B1	11/2003	Barton
D493,138	S	7/2004	Jiang
D499,698	S	12/2004	Ramirez
D520,173	S *	5/2006	Plunk ..... D26/78
7,093,952	B2	8/2006	Ono et al.
7,160,140	B1	1/2007	Mrakovich et al.
7,161,313	B2	1/2007	Piegras et al.
7,178,941	B2	2/2007	Roberge et al.
7,186,003	B2	3/2007	Dowling et al.
7,202,613	B2	4/2007	Morgan et al.
7,221,104	B2	5/2007	Lys et al.
7,236,366	B2	6/2007	Chen
7,300,192	B2	11/2007	Mueller et al.

(Continued)

**OTHER PUBLICATIONS**

U.S. Appl. No. 29/390,619, filed Apr. 27, 2011, Piegras.

(Continued)

*Primary Examiner* — Susan M Lee

*Assistant Examiner* — Linda G. Brooks

(74) *Attorney, Agent, or Firm* — Foley & Lardner LLP

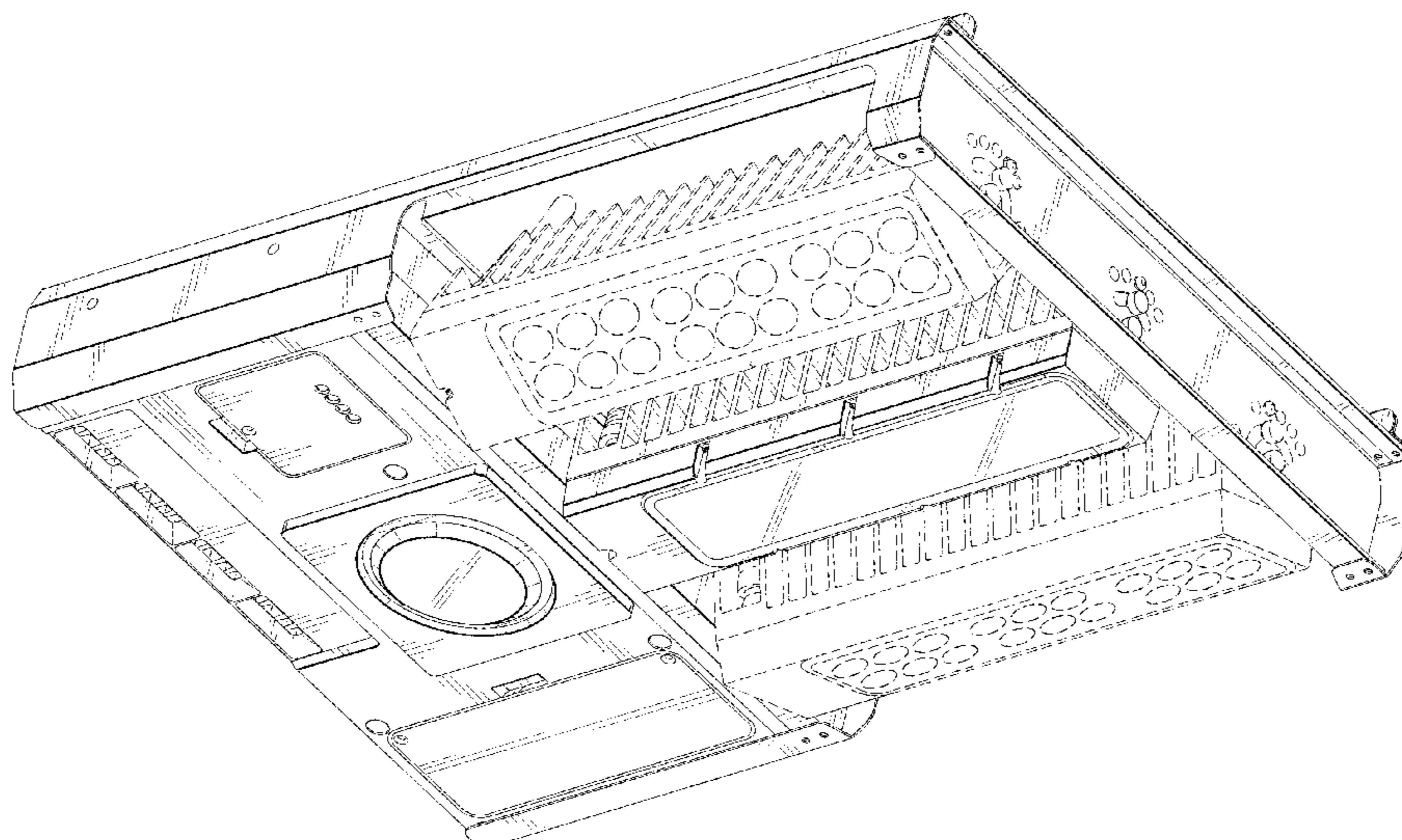
(57) **CLAIM**

The ornamental design for a lighting fixture, as shown and described.

**DESCRIPTION**

FIG. 1 is a bottom, front left side perspective view of the lighting fixture;  
FIG. 2 is a bottom plan view thereof;  
FIG. 3 is a top plan view thereof;  
FIG. 4 is a front elevational view thereof;  
FIG. 5 is a rear elevational view thereof;  
FIG. 6 is a left side elevational view thereof; and,  
FIG. 7 is a right side elevational view thereof.  
The structure and features shown in broken lines form no part of the claimed design.

**1 Claim, 5 Drawing Sheets**



U.S. PATENT DOCUMENTS

D561,931 S \* 2/2008 Hukle et al. .... D26/120  
 7,344,279 B2 3/2008 Mueller et al.  
 7,344,296 B2 3/2008 Matsui et al.  
 7,348,736 B2 3/2008 Piepgras et al.  
 7,352,339 B2 4/2008 Morgan et al.  
 D569,027 S 5/2008 Hakamada  
 7,445,354 B2 \* 11/2008 Aoki et al. .... 362/241  
 7,470,055 B2 12/2008 Hacker et al.  
 D589,638 S 3/2009 Collins  
 D592,786 S 5/2009 Bisberg et al.  
 D593,697 S \* 6/2009 Liu et al. .... D26/74  
 7,572,028 B2 8/2009 Mueller et al.  
 7,703,951 B2 4/2010 Piepgras et al.  
 7,753,568 B2 7/2010 Hu et al.  
 7,828,465 B2 11/2010 Roberge et al.  
 D632,418 S 2/2011 Bisberg et al.  
 7,926,974 B2 \* 4/2011 Wung et al. .... 362/237  
 7,936,561 B1 5/2011 Lin  
 7,938,558 B2 5/2011 Wilcox et al.  
 D640,817 S \* 6/2011 Salessi ..... D26/63  
 7,976,188 B2 7/2011 Peng  
 D643,960 S 8/2011 Waldmann  
 7,988,335 B2 \* 8/2011 Liu et al. .... 362/294  
 7,988,341 B2 8/2011 Chen  
 7,997,762 B2 \* 8/2011 Wang et al. .... 362/249.02  
 D645,594 S \* 9/2011 Grawe ..... D26/63  
 8,025,426 B2 \* 9/2011 Mundle et al. .... 362/281  
 8,042,968 B2 \* 10/2011 Boyer et al. .... 362/235  
 8,052,301 B2 11/2011 Zhou et al.  
 8,079,731 B2 12/2011 Lynch et al.  
 8,096,679 B2 \* 1/2012 Chen et al. .... 362/247  
 8,101,434 B2 1/2012 Guillien et al.  
 D654,211 S 2/2012 Melzner et al.  
 D662,245 S 6/2012 Steffy  
 2006/0087843 A1 4/2006 Setomoto et al.  
 2006/0181878 A1 8/2006 Burkholder  
 2006/0221606 A1 10/2006 Dowling  
 2006/0262521 A1 11/2006 Piepgras et al.  
 2008/0158878 A1 7/2008 Van Laanen et al.  
 2008/0170371 A1 7/2008 Lai  
 2008/0180015 A1 7/2008 Wu et al.  
 2008/0215391 A1 9/2008 Dowling et al.  
 2009/0034263 A1 2/2009 Stenback et al.  
 2009/0315485 A1 12/2009 Verfuert et al.  
 2009/0323347 A1 12/2009 Zhang et al.  
 2010/0301773 A1 12/2010 Chemel et al.  
 2010/0307075 A1 12/2010 Zampini et al.  
 2011/0038148 A1 2/2011 Pyle

OTHER PUBLICATIONS

Albeo Technologies, C Series, [http://www.albeotech.com/?site\\_id=1500&item\\_id=161711](http://www.albeotech.com/?site_id=1500&item_id=161711), retrieved May 18, 2011.

Albeo Technologies, C3 Series, [http://www.albeotech.com/?site\\_id=1500&item\\_id=173338](http://www.albeotech.com/?site_id=1500&item_id=173338), retrieved May 18, 2011.  
 Albeo Technologies, S Series, [http://www.albeotech.com/?site\\_id=1500&item\\_id=161722](http://www.albeotech.com/?site_id=1500&item_id=161722), retrieved May 18, 2011.  
 Albeo Technologies, Surface Mounts, [http://www.albeotech.com/?site\\_id=1500&item\\_id=161724](http://www.albeotech.com/?site_id=1500&item_id=161724), retrieved May 18, 2011.  
 Color Kinetics, eW Cove EC Powercore line, [http://www.colorkinetics.com/support/datasheets/eW\\_Cove\\_EC\\_Powercore\\_2700K\\_12in\\_SpecSheet.pdf](http://www.colorkinetics.com/support/datasheets/eW_Cove_EC_Powercore_2700K_12in_SpecSheet.pdf), retrieved May 18, 2011.  
 Color Kinetics, eW Cove MX Powercore line, [http://www.colorkinetics.com/support/datasheets/eW\\_Cove\\_MX\\_Powercore\\_2700K\\_Wide\\_Beam\\_Angle\\_SpecSheet.pdf](http://www.colorkinetics.com/support/datasheets/eW_Cove_MX_Powercore_2700K_Wide_Beam_Angle_SpecSheet.pdf), retrieved May 18, 2011.  
 Color Kinetics, eW Cove QLX Powercore line, [http://www.colorkinetics.com/support/datasheets/eW\\_Cove\\_QLX\\_Powercore\\_6in\\_110degree110degree.pdf](http://www.colorkinetics.com/support/datasheets/eW_Cove_QLX_Powercore_6in_110degree110degree.pdf), retrieved May 18, 2011.  
 Color Kinetics, eW Fuse Powercore line, [http://www.colorkinetics.com/support/datasheets/eW\\_Fuse\\_Powercore\\_2700K\\_10degree\\_x\\_60degree.pdf](http://www.colorkinetics.com/support/datasheets/eW_Fuse_Powercore_2700K_10degree_x_60degree.pdf), retrieved May 18, 2011.  
 Color Kinetics, eW Graze Powercore line, [http://www.colorkinetics.com/support/datasheets/eW\\_Graze\\_Powercore\\_SpecSheet\\_2700K\\_10x60.pdf](http://www.colorkinetics.com/support/datasheets/eW_Graze_Powercore_SpecSheet_2700K_10x60.pdf), retrieved May 18, 2011.  
 Beta LED, 227 Series LED Canopy, <http://www.betaled.com/us-en/TechnicalLibrary/TechnicalDocuments/227-series-canopy.aspx>, retrieved May 18, 2011.  
 Beta LED, 227 Series LED Soffit, <http://www.betaled.com/us-en/TechnicalLibrary/TechnicalDocuments/227-series-soffit.aspx>, retrieved May 18, 2011.  
 Beta LED, 304 Series LED Interior, <http://www.betaled.com/us-en/TechnicalLibrary/TechnicalDocuments/304-series-canopy.aspx>, retrieved May 18, 2011.  
 Beta LED, 304 Series LED Parking Structure, <http://www.betaled.com/us-en/TechnicalLibrary/TechnicalDocuments/304-series-parking.aspx>, retrieved May 18, 2011.  
 Beta LED, 304 Series LED Soffit, <http://www.betaled.com/us-en/TechnicalLibrary/TechnicalDocuments/304-series-soffit.aspx>, retrieved May 18, 2011.  
 Beta LED, The Edge Canopy, <http://www.betaled.com/us-en/TechnicalLibrary/TechnicalDocuments/TheEdgeCanopy.aspx>, retrieved May 18, 2011.  
 Beta LED, The Edge LED Parking Structure, <http://www.betaled.com/us-en/TechnicalLibrary/TechnicalDocuments/TheEdgeParking.aspx>, retrieved May 18, 2011.  
 Work Proposal, Jan. 13, 2010, 19 pages (redacted).  
 U.S. Notice of Allowance on U.S. Appl. No. 29/390,619, DTD Aug. 2, 2012.

\* cited by examiner

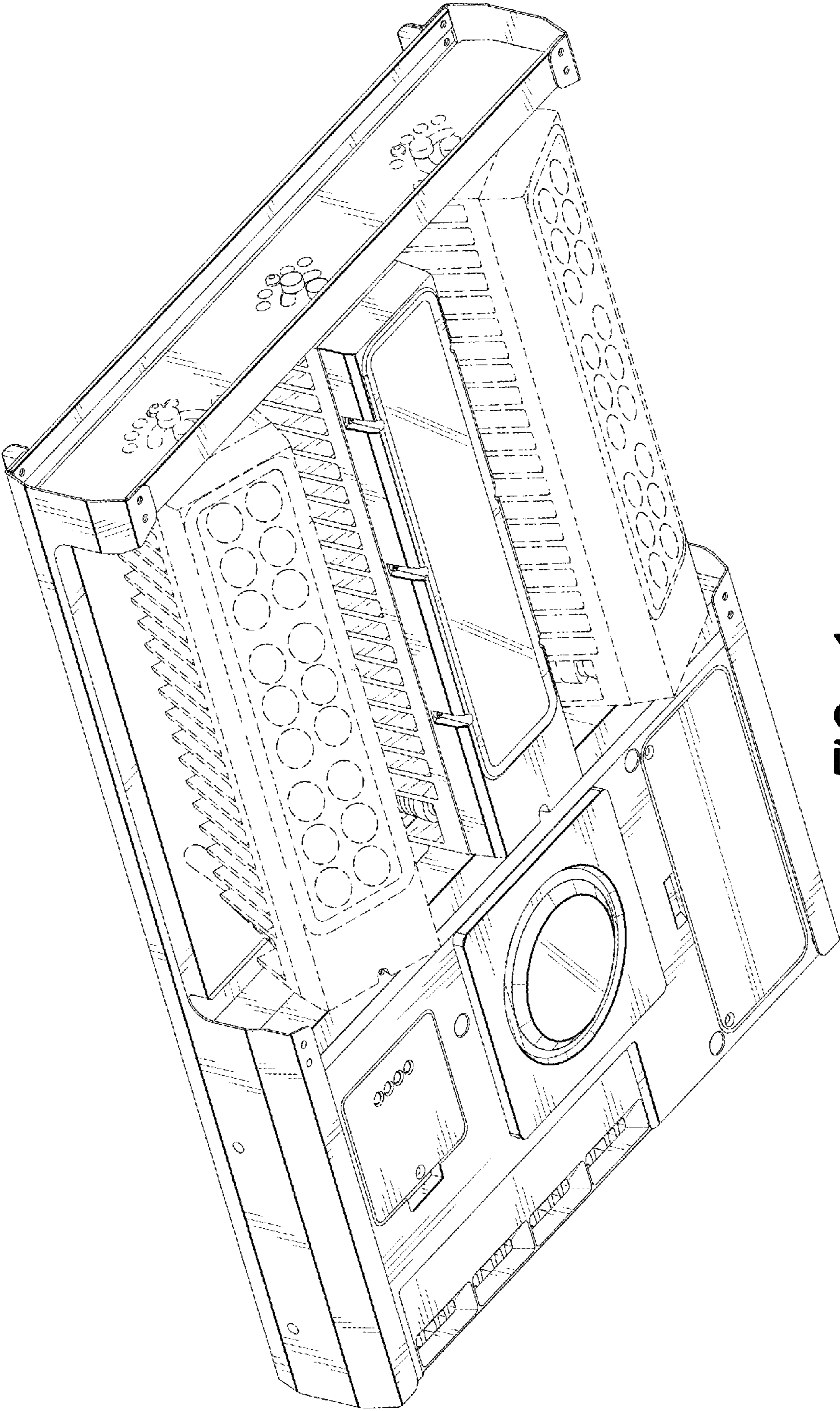


FIG. 1

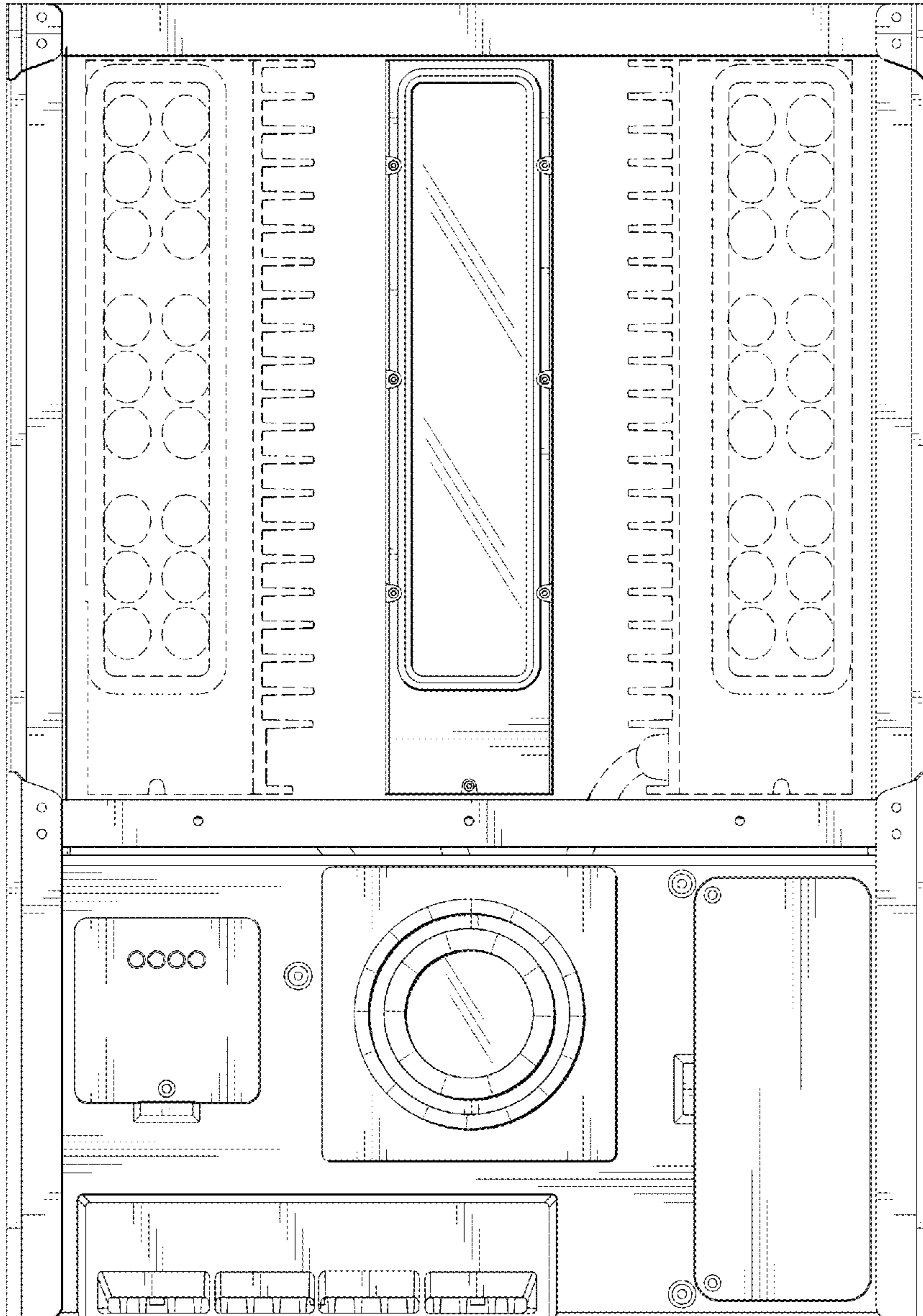
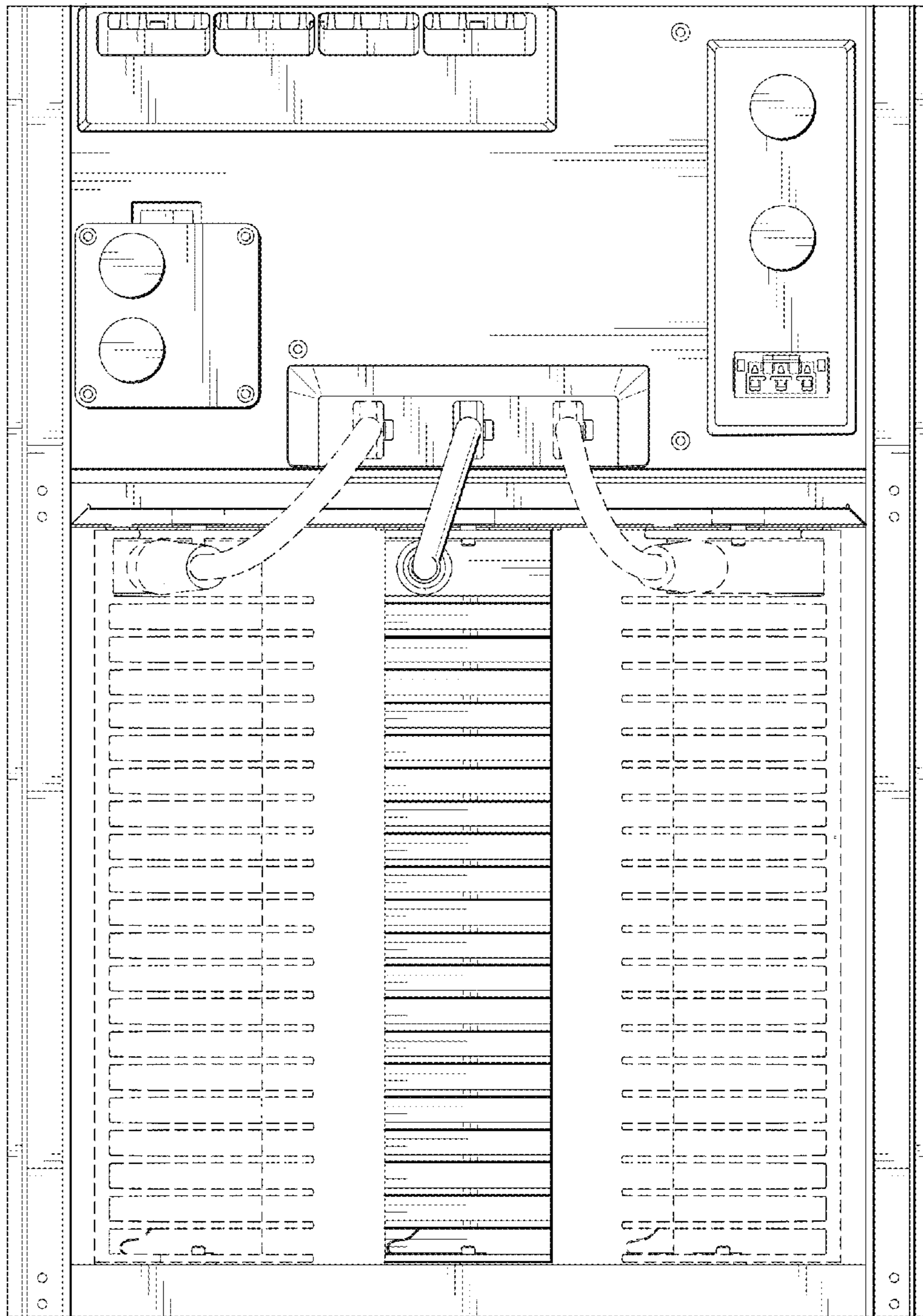
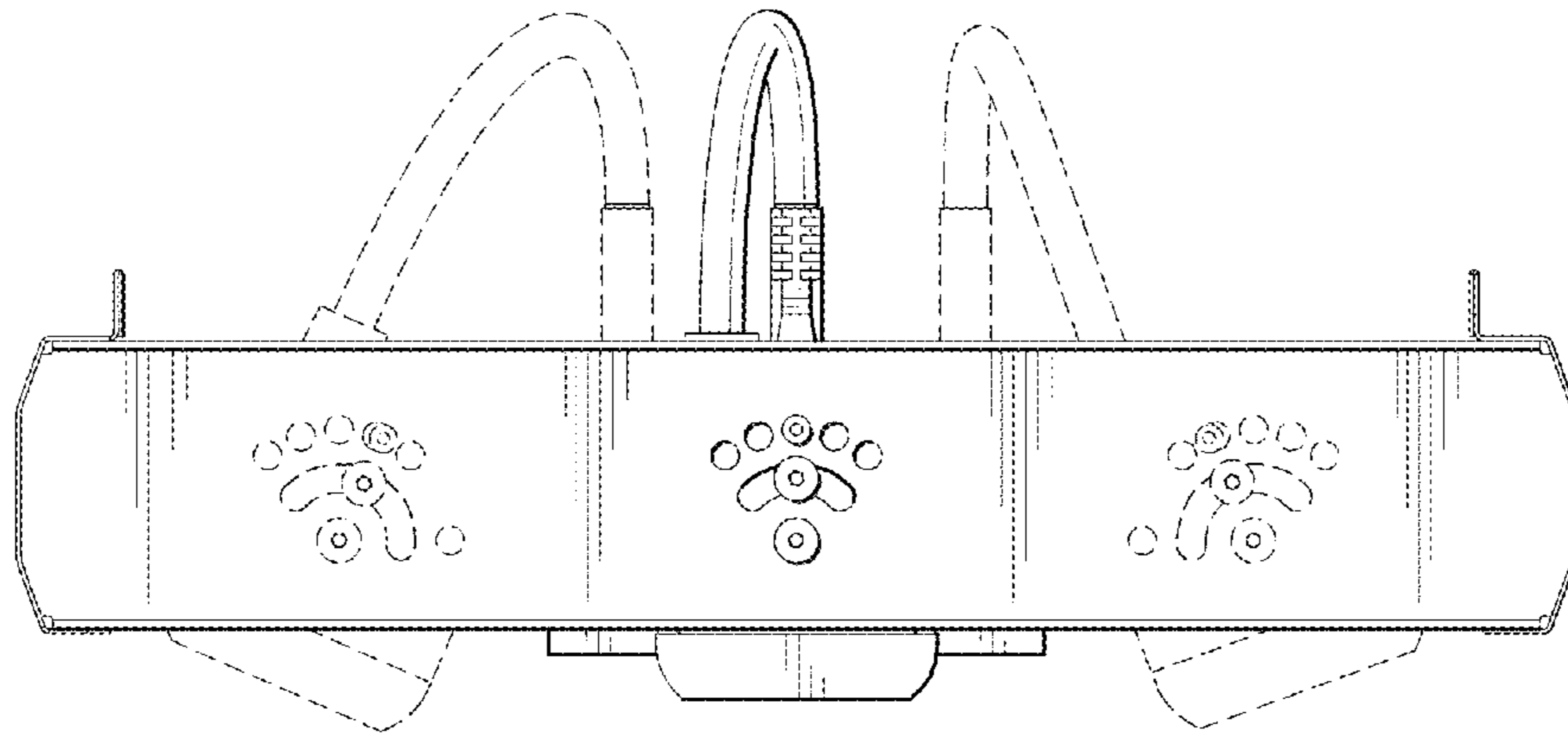


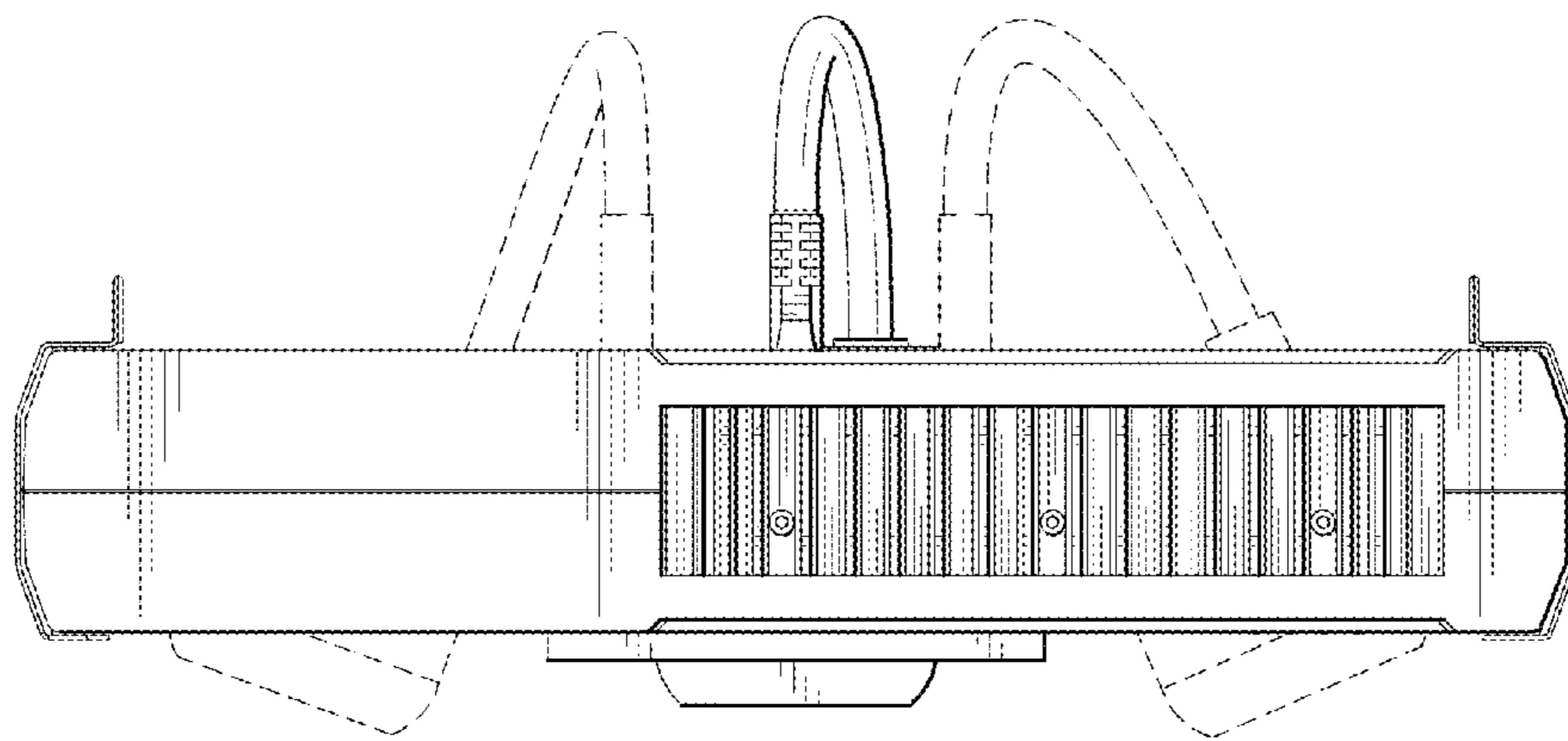
FIG. 2



**FIG. 3**



**FIG. 4**



**FIG. 5**

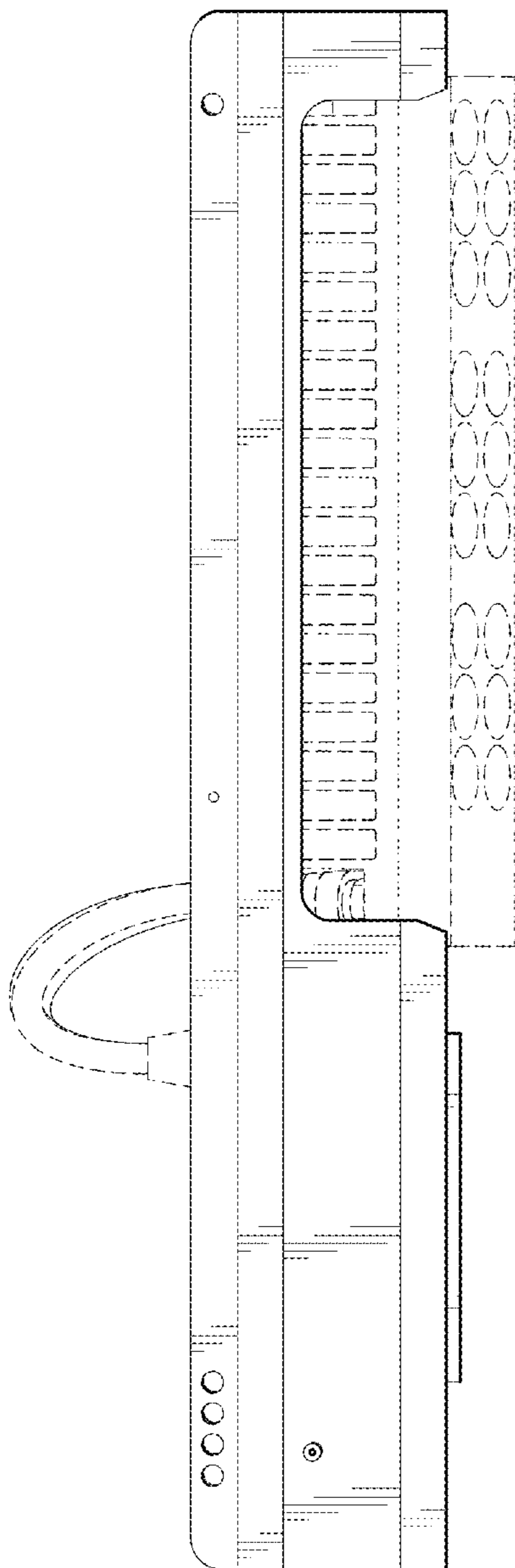


FIG. 6

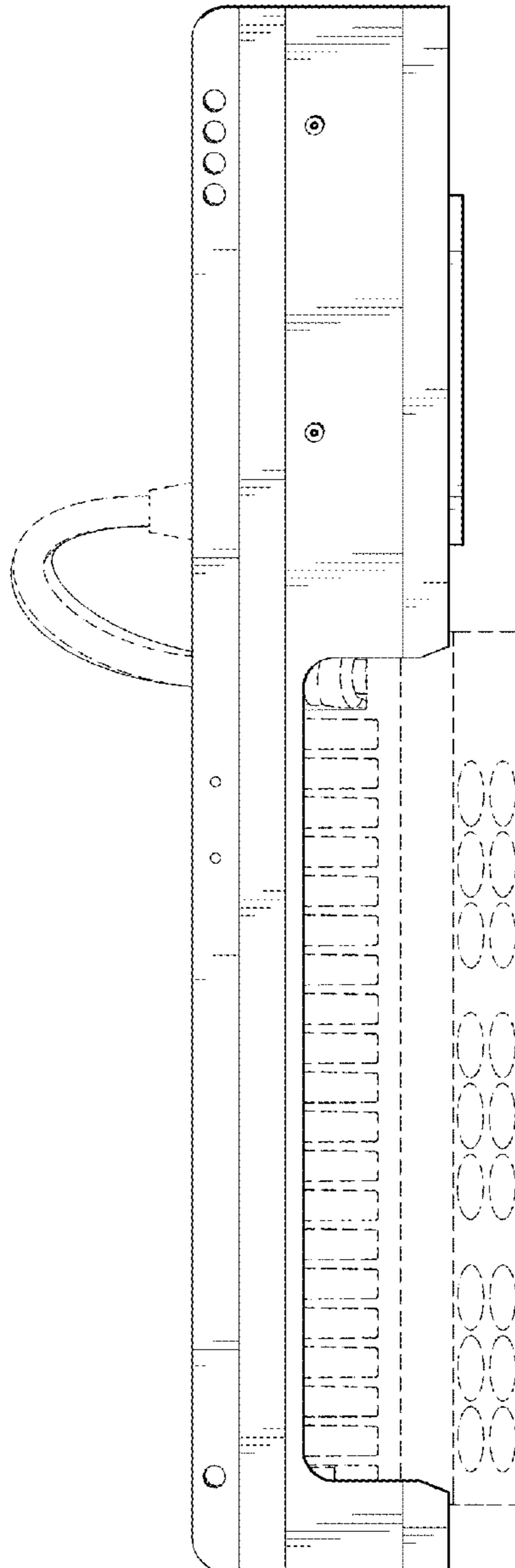


FIG. 7