



US00D671249S

(12) **United States Design Patent**
Sheikh et al.

(10) **Patent No.:** **US D671,249 S**

(45) **Date of Patent:** **** Nov. 20, 2012**

(54) **COMBINED FLASHLIGHT AND STUN GUN**

(76) Inventors: **Yasar Sheikh**, Sanford, FL (US);
Shabbir Sheikh, Sanford, FL (US)

(**) Term: **14 Years**

(21) Appl. No.: **29/403,451**

(22) Filed: **Oct. 6, 2011**

(51) **LOC (9) Cl.** **26-02**

(52) **U.S. Cl.** **D26/38**

(58) **Field of Classification Search** D26/37,
D26/38, 39, 40, 43, 45, 46, 49, 51; 362/157,
362/158, 183, 185, 194–197, 200–208, 253;
D22/117

See application file for complete search history.

(56) **References Cited**

U.S. PATENT DOCUMENTS

D565,769 S *	4/2008	Shiu	D26/49
D578,236 S *	10/2008	Dalton	D26/49
D585,577 S *	1/2009	Bonis	D26/49
D586,025 S *	2/2009	Bonis	D26/49
D595,439 S *	6/2009	Haight et al.	D26/49
D601,736 S *	10/2009	Swan	D26/49
D629,542 S *	12/2010	Robinson	D26/49
D646,346 S *	10/2011	Rae	D22/117

D647,232 S *	10/2011	Liu	D26/49
D647,654 S *	10/2011	Li	D26/49
D648,467 S *	11/2011	Nguyen et al.	D26/46
D649,670 S *	11/2011	Robinson	D26/49

* cited by examiner

Primary Examiner — Ian Simmons

Assistant Examiner — Carissa C Fitts

(74) *Attorney, Agent, or Firm* — QuickPatents, Inc.; Kevin Prince

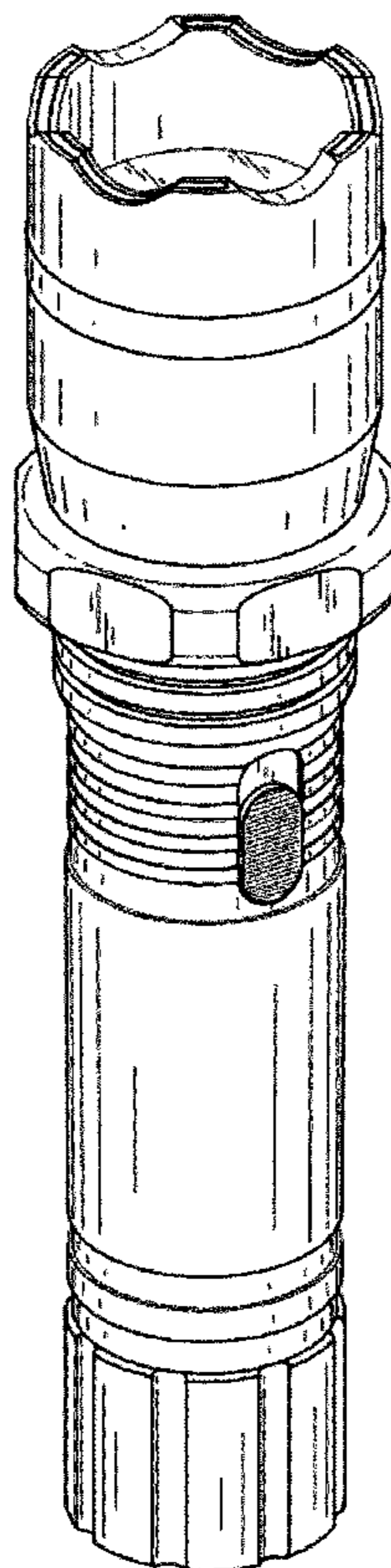
(57) **CLAIM**

We claim the ornamental design for a combined flashlight and stun gun, as shown and described.

DESCRIPTION

FIG. 1 is a perspective view of a combined flashlight and stun gun, showing our new design;
FIG. 2 is a front elevational view thereof;
FIG. 3 is a rear elevational view thereof;
FIG. 4 is a left-side elevational view thereof, the right-side elevational view being a mirror image thereof;
FIG. 5 is a top plan view thereof; and,
FIG. 6 is a bottom plan view thereof.
The broken lines are for environmental purposes only and form no part of the claimed design.

1 Claim, 3 Drawing Sheets



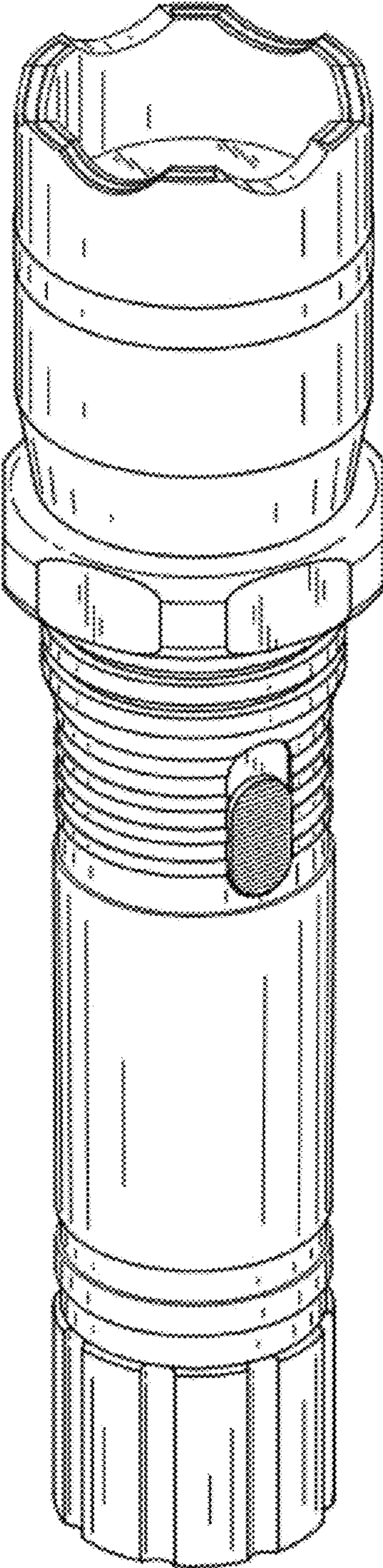


FIG. 1

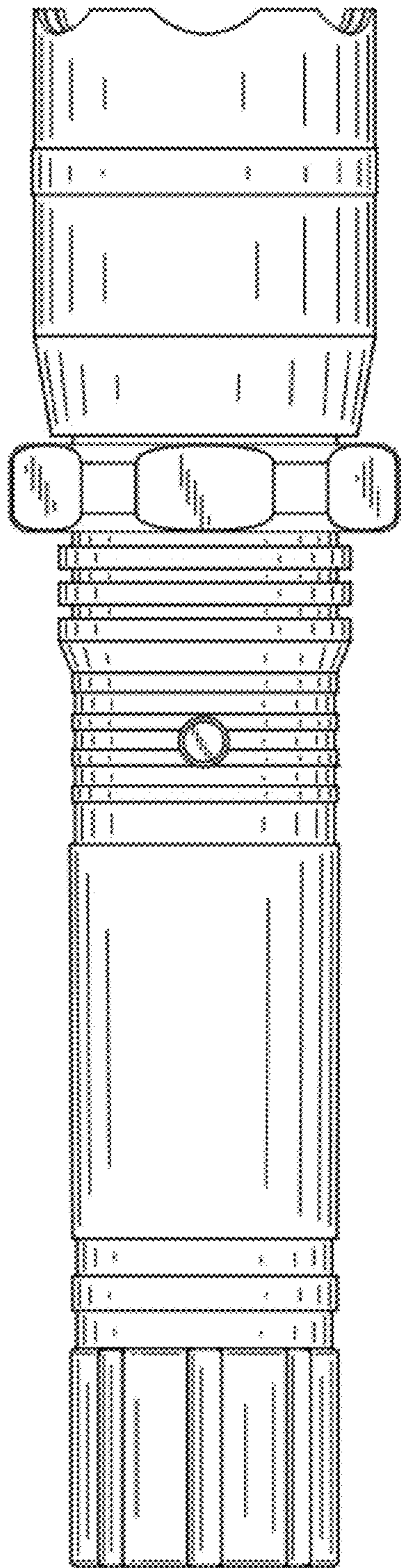


FIG. 2

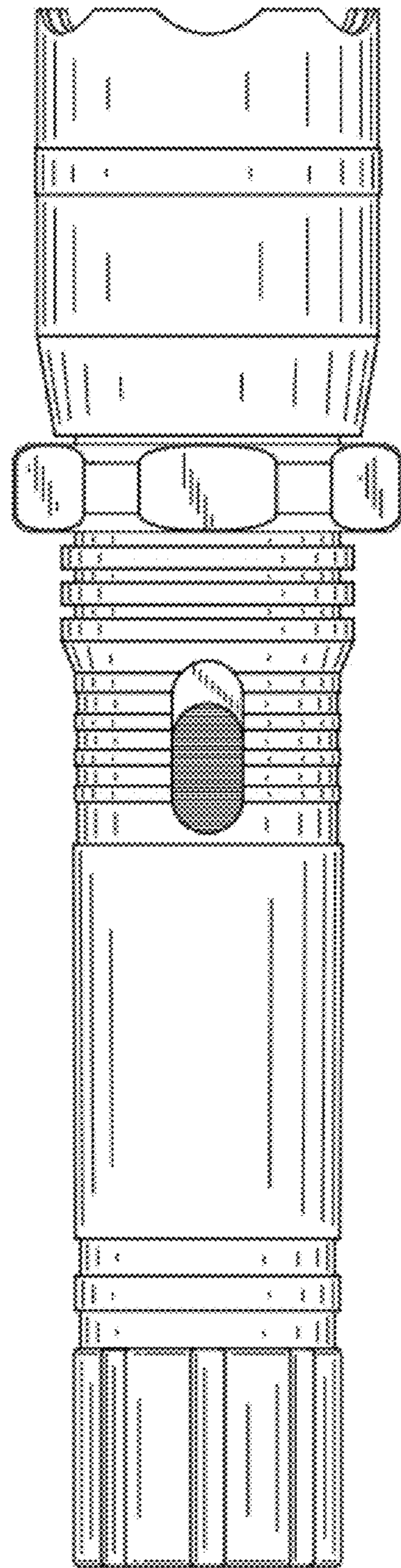


FIG. 3

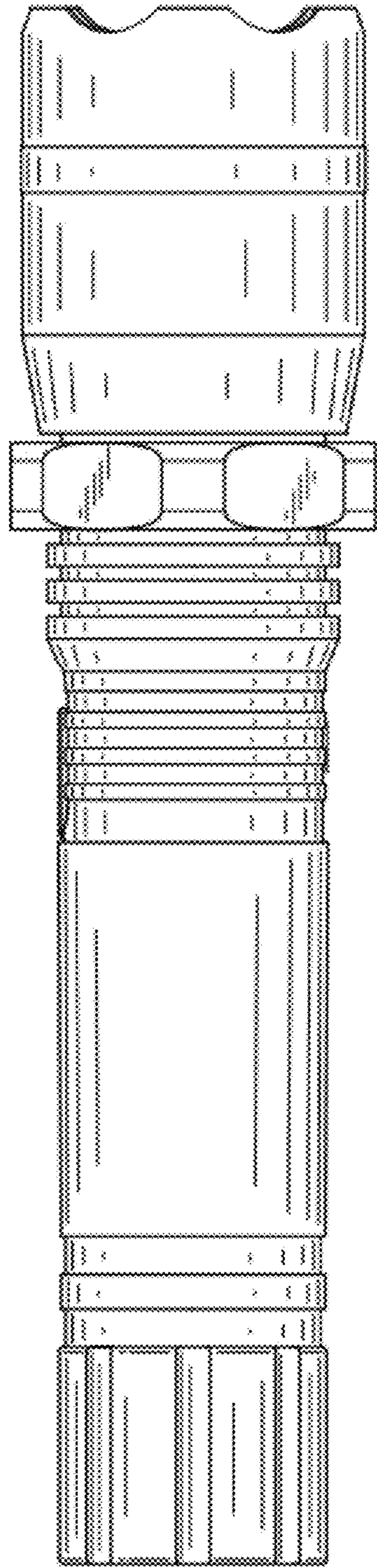


FIG. 4

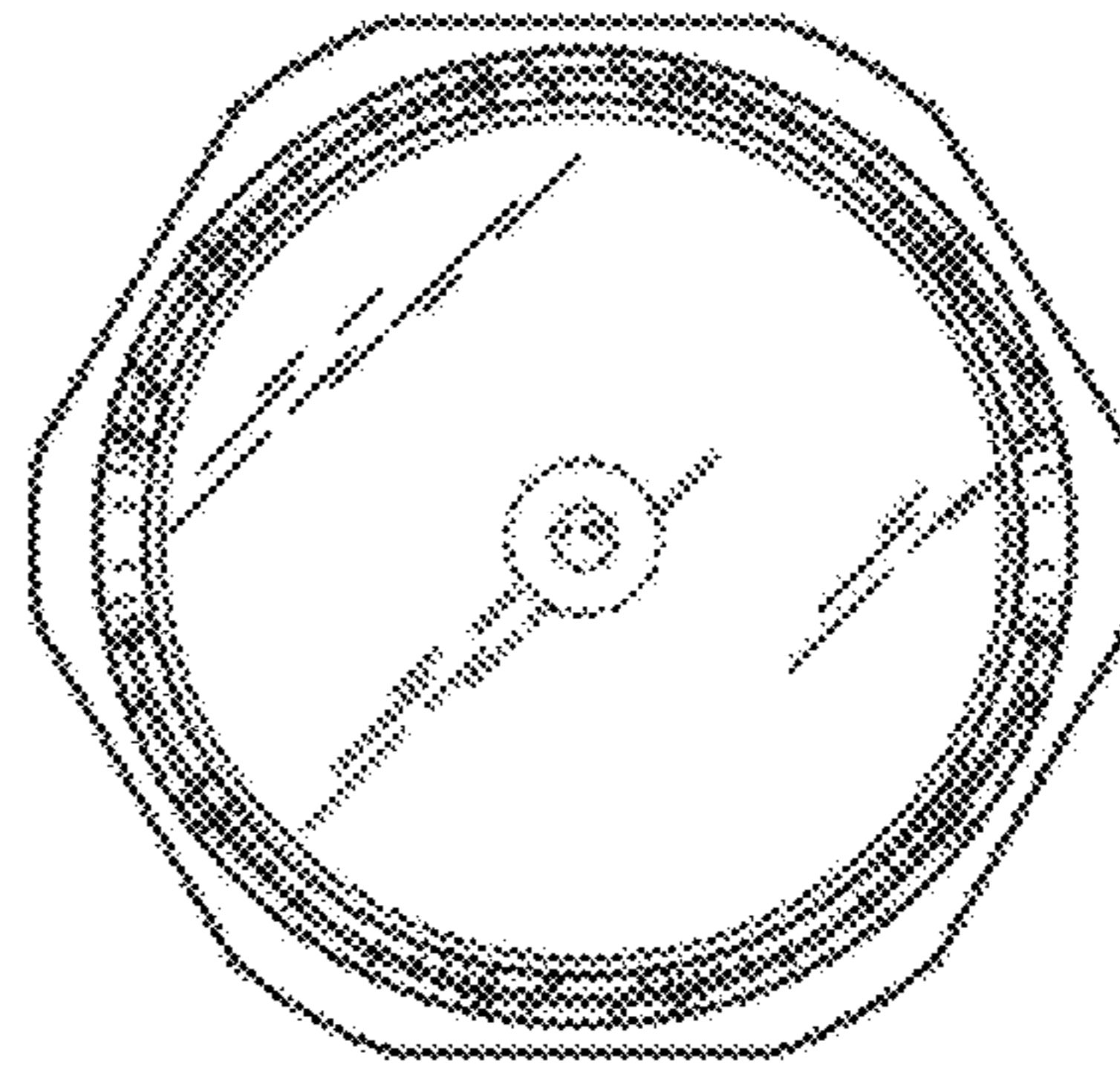


FIG. 5

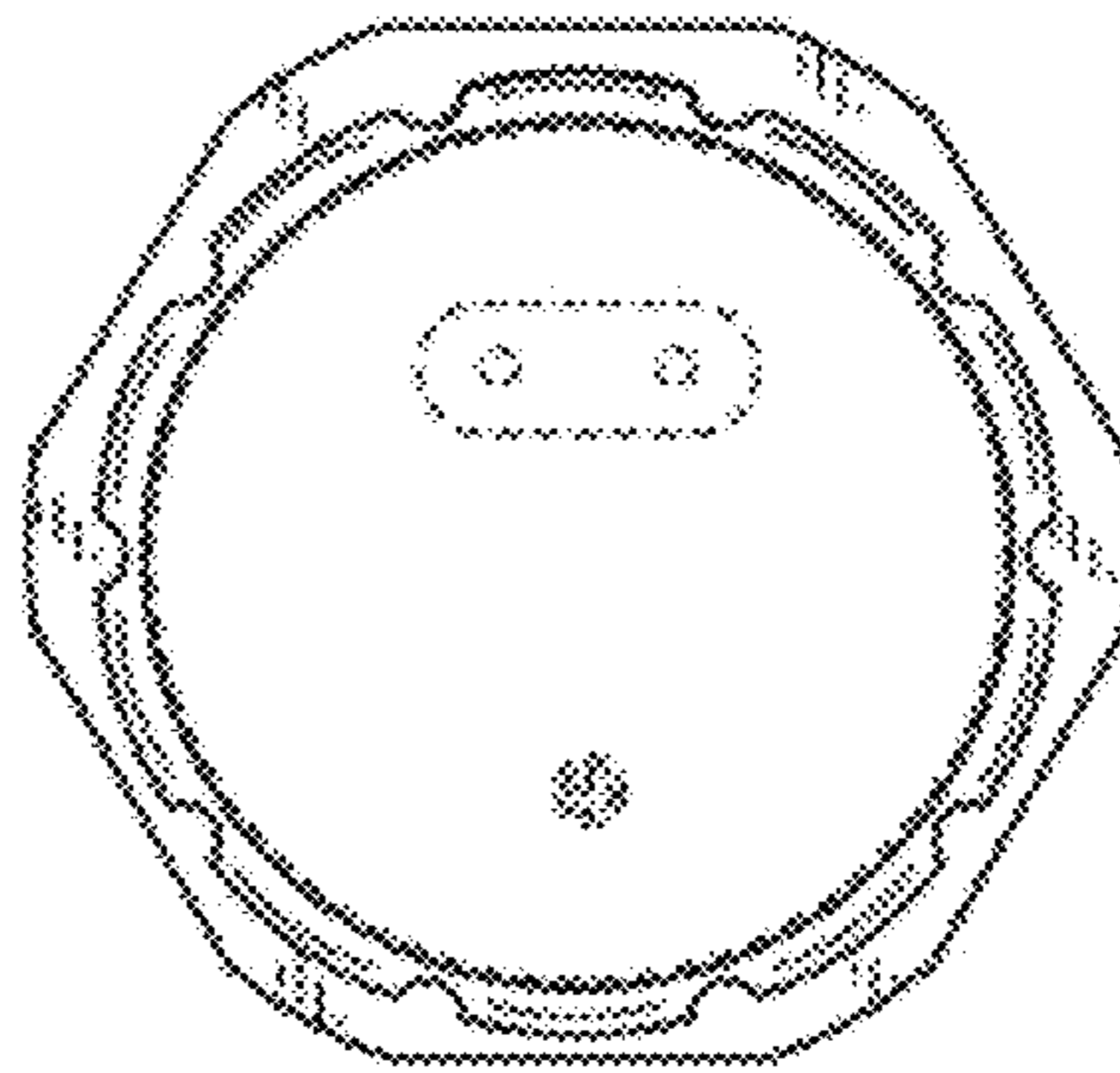


FIG. 6

(12) **SUPPLEMENTAL EXAMINATION CERTIFICATE**

United States Patent

(10) **Number: D671,249**

Sheikh et al.

(45) **Certificate Issued: Jan. 15, 2014**

Control No.: 96/000,037

Filing Date: Oct. 22, 2013

Primary Examiner: Philip Hyder

No substantial new question of patentability is raised in the Request for Supplemental Examination. See the Reasons for Substantial New Question of Patentability Determination in the file of this proceeding.

(56) **Items of Information**

Reference 1, GUARD DOG 2900k Combined flashlight and stun gun disclosed in Flyer at the Las Vegas ASD/AMD trade show in Aug 2010

Reference 2, GUARD DOG 3000k Combined flashlight and stun gun disclosed in Flyer at the Las Vegas ASD/AMD trade show in Aug 2010

Reference 3, Combined flashlight and stun gun marketed prior to Oct. 6, 2010 by Silverstorm Creations.