



US00D671248S

(12) **United States Design Patent**  
**Fuchigami et al.**

(10) **Patent No.:** **US D671,248 S**

(45) **Date of Patent:** **\*\* Nov. 20, 2012**

(54) **REAR COMBINATION LAMP FOR AN  
AUTOMOBILE**

(75) Inventors: **Hideyuki Fuchigami**, Kanagawa-ken  
(JP); **Hisatugu Hirabayashi**,  
Kanagawa-ken (JP)

(73) Assignee: **Nissan Jidosha Kabushiki Kaisha**,  
Kanagawa (JP)

(\*\*) Term: **14 Years**

(21) Appl. No.: **29/414,178**

(22) Filed: **Feb. 24, 2012**

(51) **LOC (9) Cl.** ..... **26-06**

(52) **U.S. Cl.** ..... **D26/28**

(58) **Field of Classification Search** ..... D26/28-36;  
362/459-468, 475-478, 485-487

See application file for complete search history.

(56) **References Cited**

U.S. PATENT DOCUMENTS

D528,231 S *	9/2006	Ikeda .....	D26/28
D528,686 S *	9/2006	Kato .....	D26/28
D529,208 S *	9/2006	Ikeda .....	D26/28
D535,409 S *	1/2007	Yamaguchi .....	D26/28
D550,380 S *	9/2007	Lin .....	D26/28

\* cited by examiner

*Primary Examiner* — Marcus Jackson

(74) *Attorney, Agent, or Firm* — Fross Zelnick Lehrman &  
Zissu, P.C.; Lawrence E. Apolzon, Esq.

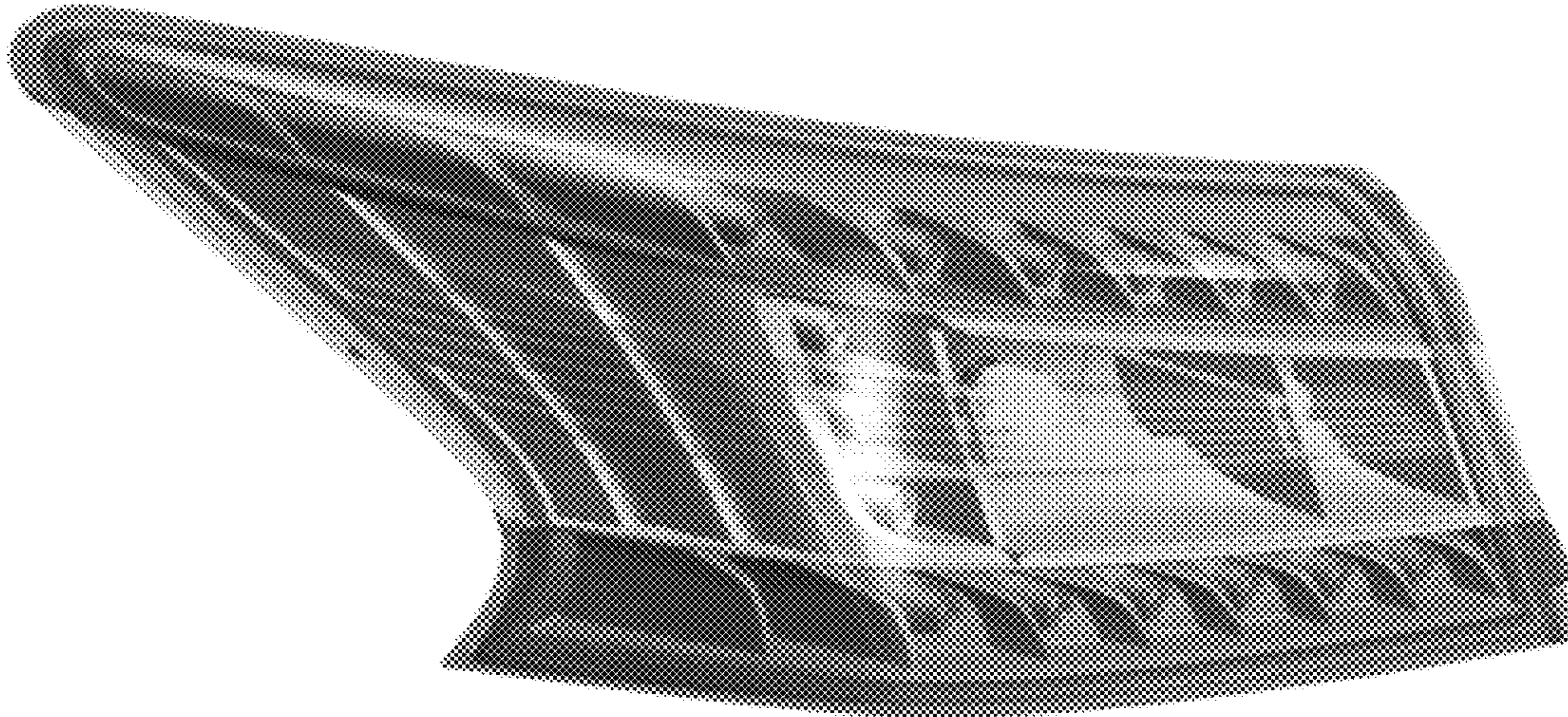
(57) **CLAIM**

The ornamental design for a rear combination lamp for an  
automobile, as shown and described.

**DESCRIPTION**

FIG. 1 is a perspective view of a rear combination lamp for an  
automobile showing our new design;  
FIG. 2 is a front view thereof;  
FIG. 3 is a left side view thereof; and,  
FIG. 4 is a top view thereof.

**1 Claim, 2 Drawing Sheets**





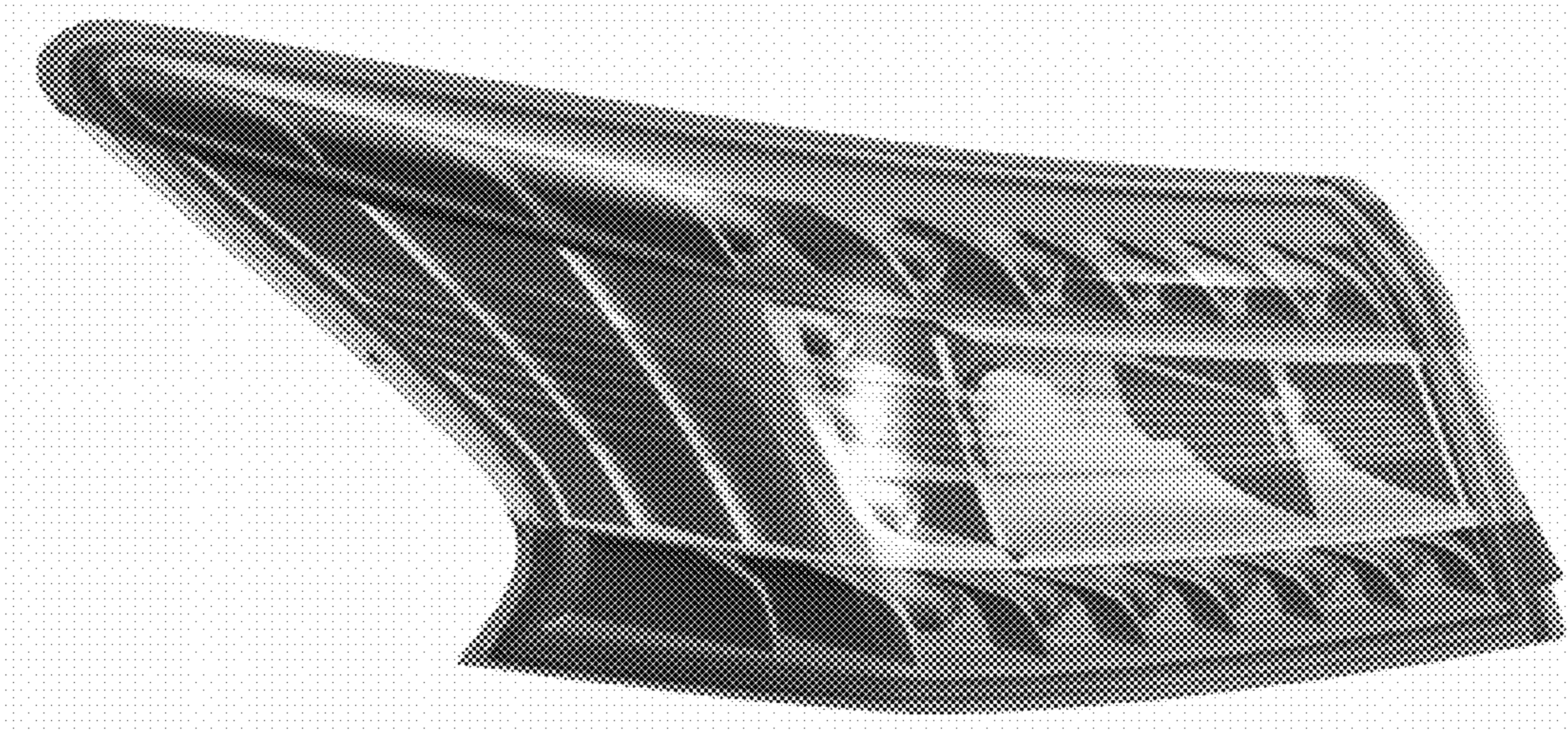


FIG. 1

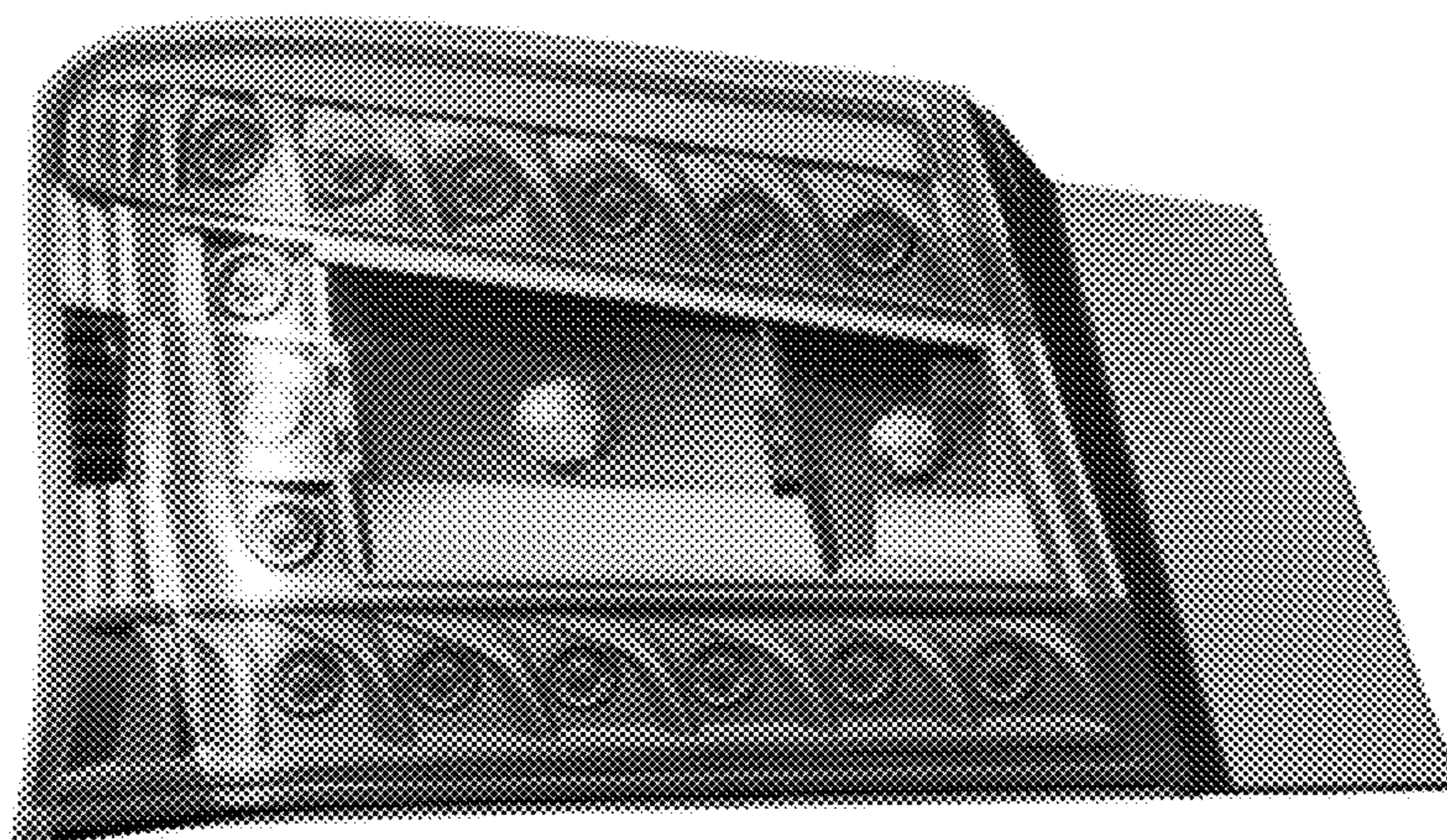


FIG. 2



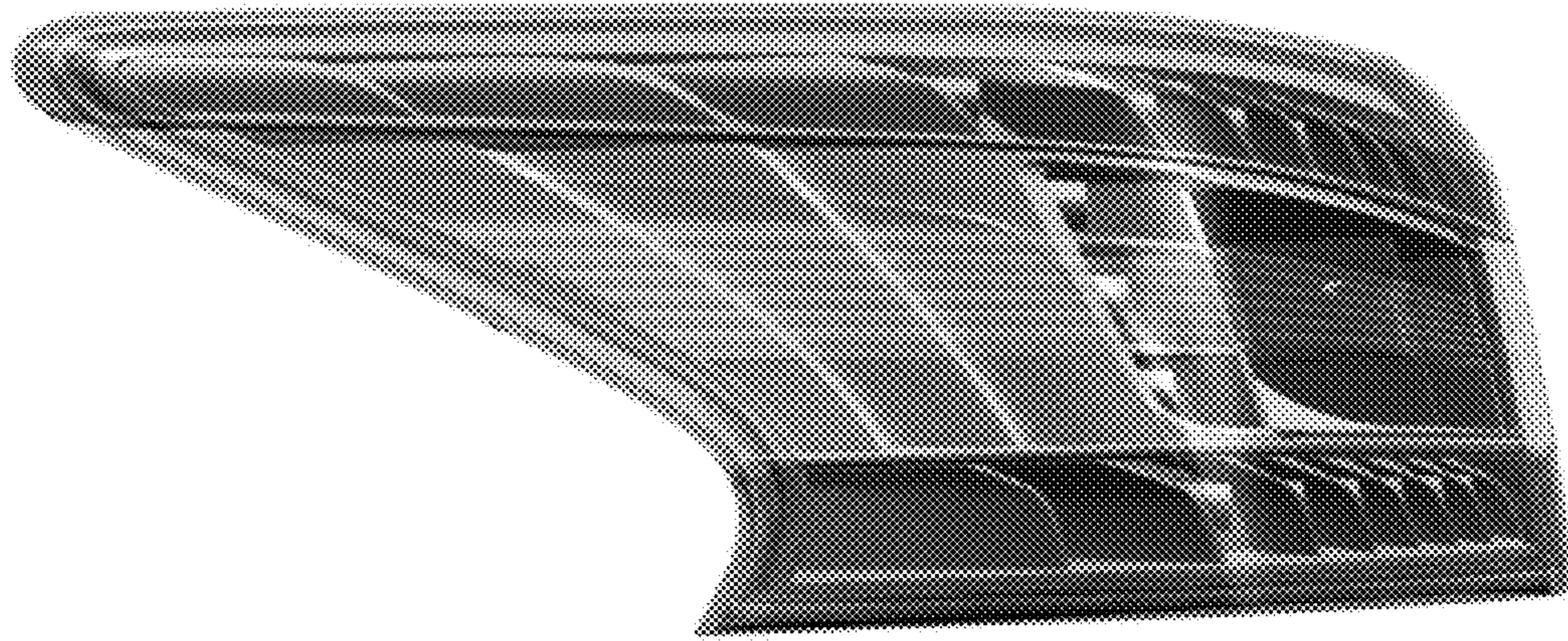


FIG. 3

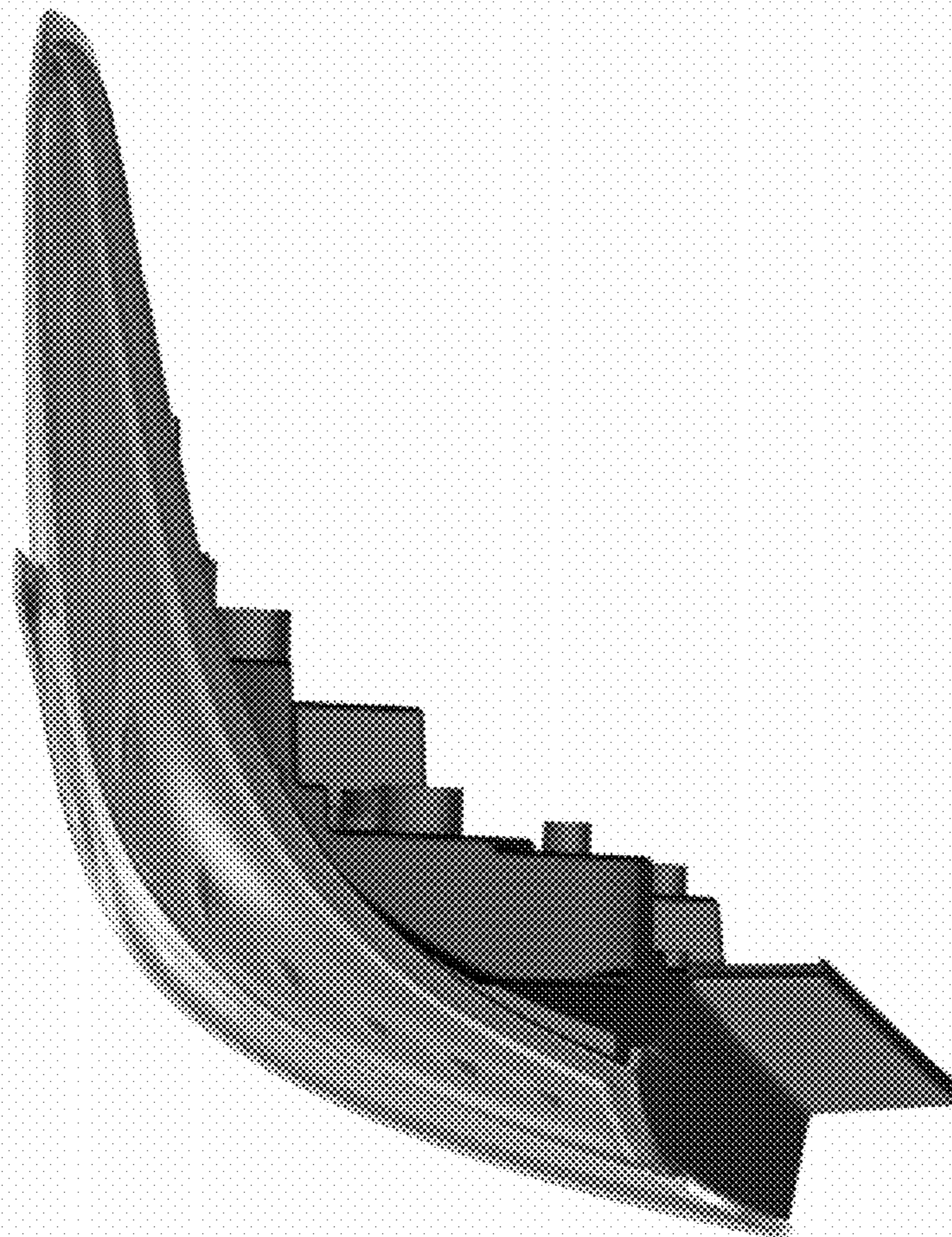


FIG. 4

UNITED STATES PATENT AND TRADEMARK OFFICE  
**CERTIFICATE OF CORRECTION**

PATENT NO. : D671,248 S  
APPLICATION NO. : 29/414178  
DATED : November 20, 2012  
INVENTOR(S) : Hideyuki Fuchigami et al.

Page 1 of 1

It is certified that error appears in the above-identified patent and that said Letters Patent is hereby corrected as shown below:

On the Title page of the patent, (30) Foreign Application Priority data is missing. This is erroneous.

The corrected Title page of the patent should read -

(30) Foreign Application Priority Data

Feb 1, 2012 (JP) .....2012-001993

Signed and Sealed this  
Second Day of April, 2013



Teresa Stanek Rea  
*Acting Director of the United States Patent and Trademark Office*