



US00D671247S

(12) **United States Design Patent**
Binder et al.

(10) **Patent No.:** **US D671,247 S**

(45) **Date of Patent:** **** Nov. 20, 2012**

(54) **HEADLIGHT FOR A VEHICLE**

D588,499 S 3/2009 Pfeiffer
D599,044 S 8/2009 Pfeiffer
D599,922 S 9/2009 Pfeiffer

(75) Inventors: **Thomas Binder**, Stuttgart (DE); **Klaus Frenzel**, Winnenden (DE); **Hans-Dieter Futschik**, Gechingen (DE); **Stefan Handt**, Stuttgart (DE)

* cited by examiner

Primary Examiner — Marcus Jackson

(74) *Attorney, Agent, or Firm* — Crowell & Moring LLP

(73) Assignee: **Daimler AG**, Stuttgart (DE)

(57) **CLAIM**

(**) Term: **14 Years**

The ornamental design for a headlight for a vehicle, as shown and described.

(21) Appl. No.: **29/347,923**

DESCRIPTION

(22) Filed: **Aug. 4, 2010**

(30) **Foreign Application Priority Data**

Apr. 14, 2010 (DE) 402010002139

(51) **LOC (9) Cl.** **26-06**

(52) **U.S. Cl.** **D26/28**

(58) **Field of Classification Search** D26/28-36;
362/459-468, 475-478, 485-487

See application file for complete search history.

This application contains subject matter related to the following co-pending U.S. design patent applications:

Application Ser. No. 29/347,486, filed Feb. 4, 2010; and Application Ser. No. 29/347,488, filed Feb. 4, 2010.

FIG. 1 is a right perspective view of a first embodiment of a headlight for a vehicle according to our design;

FIG. 2 is a front view thereof;

FIG. 3 is a right side view thereof; and

FIG. 4 is a top view thereof.

FIG. 5 a left perspective view of a second embodiment of the headlight for a vehicle according to our design, with the headlight for a vehicle for the opposite side of the vehicle being depicted in the first embodiment;

FIG. 6 is a front view thereof;

FIG. 7 is a left side view thereof; and,

FIG. 8 is a top view thereof.

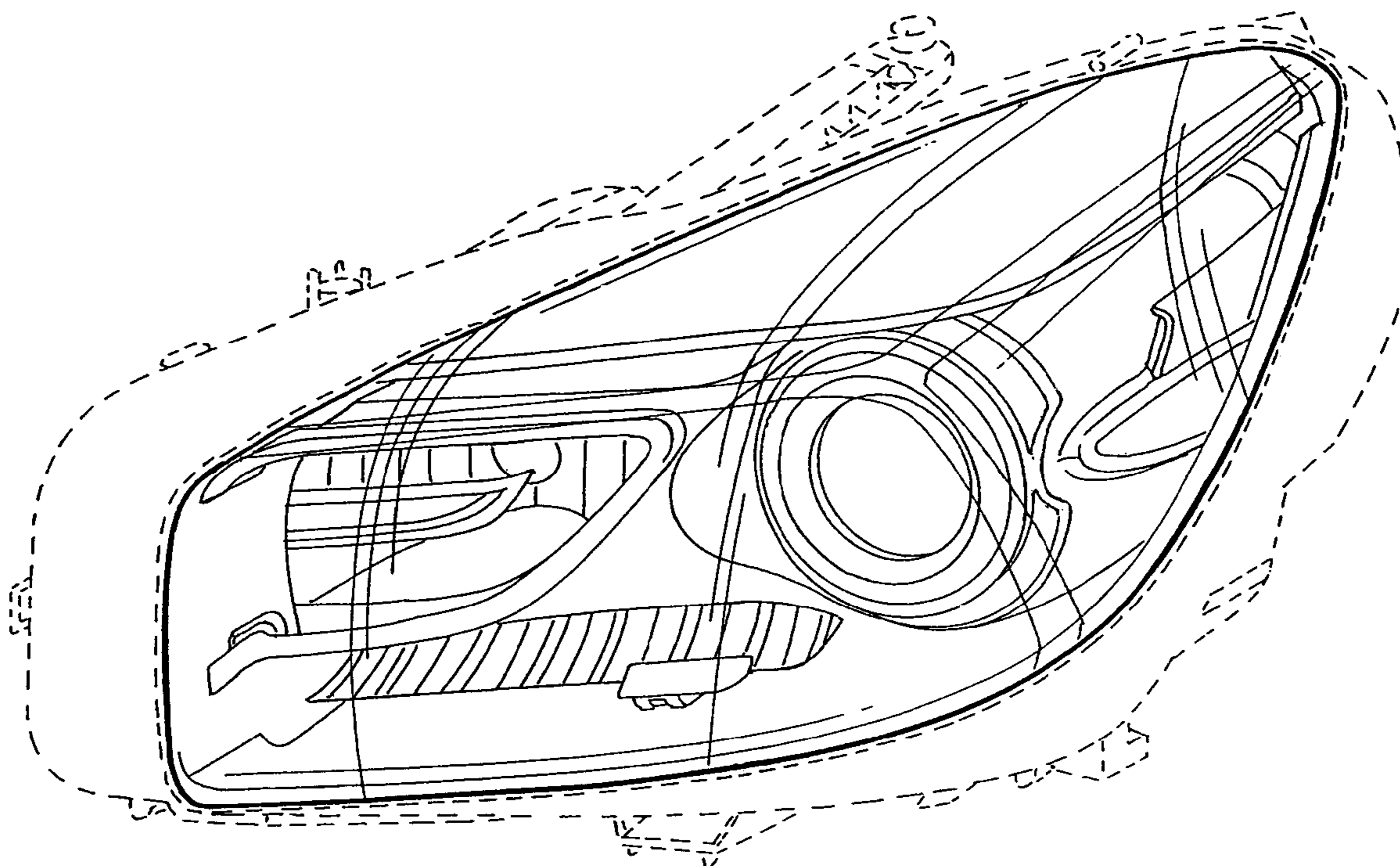
The broken lines are for illustrative purposes only and form no part of the claimed design.

(56) **References Cited**

U.S. PATENT DOCUMENTS

D528,681 S *	9/2006	Nakahara	D26/28
D528,685 S *	9/2006	Yoshida	D26/28
D544,114 S *	6/2007	Ohta	D26/28
D544,614 S *	6/2007	Markefka	D26/28
D549,857 S *	8/2007	Lin	D26/28
D561,358 S *	2/2008	Tachibana	D26/28
D587,637 S	3/2009	Pfeiffer		

1 Claim, 4 Drawing Sheets



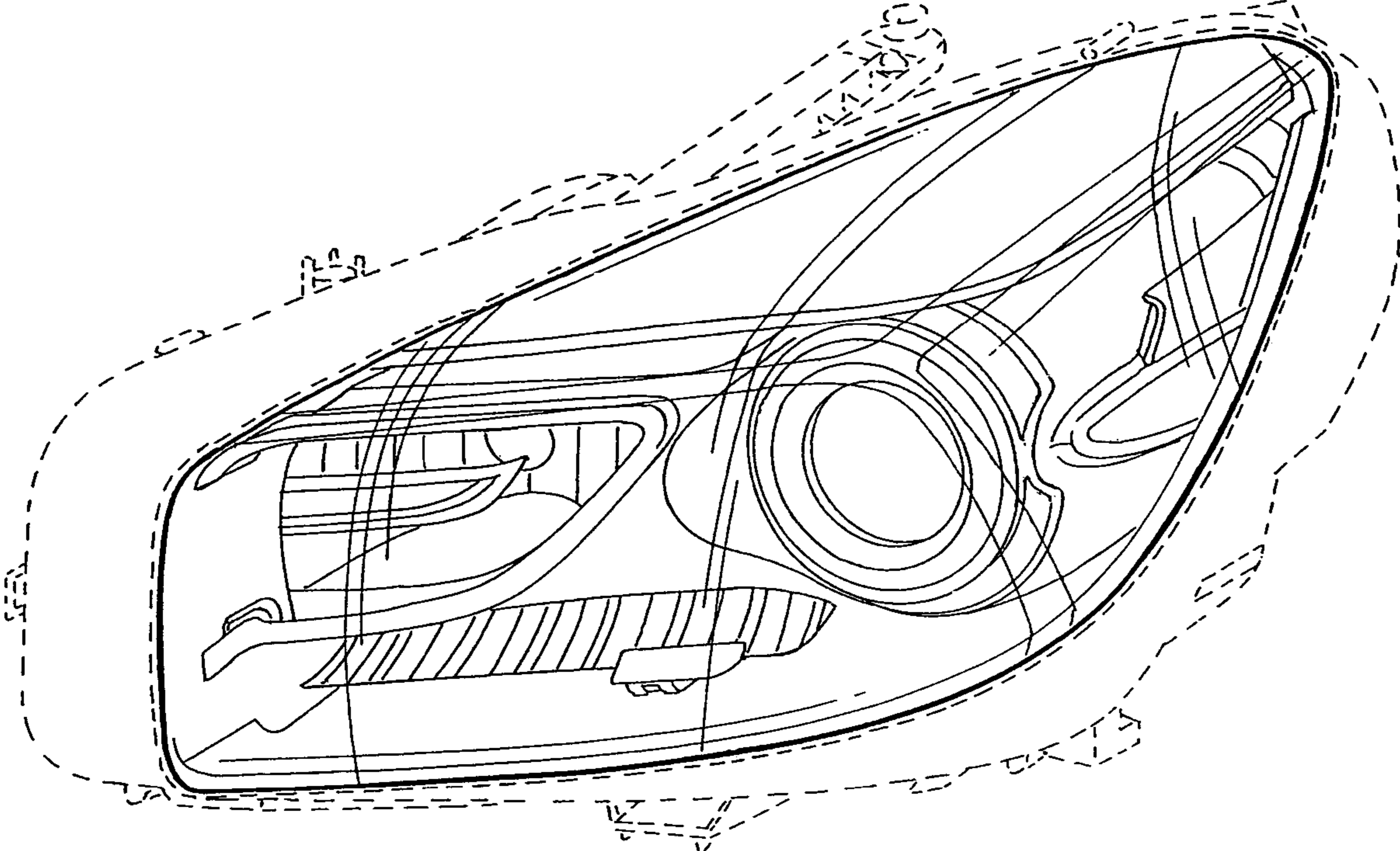


FIG. 1

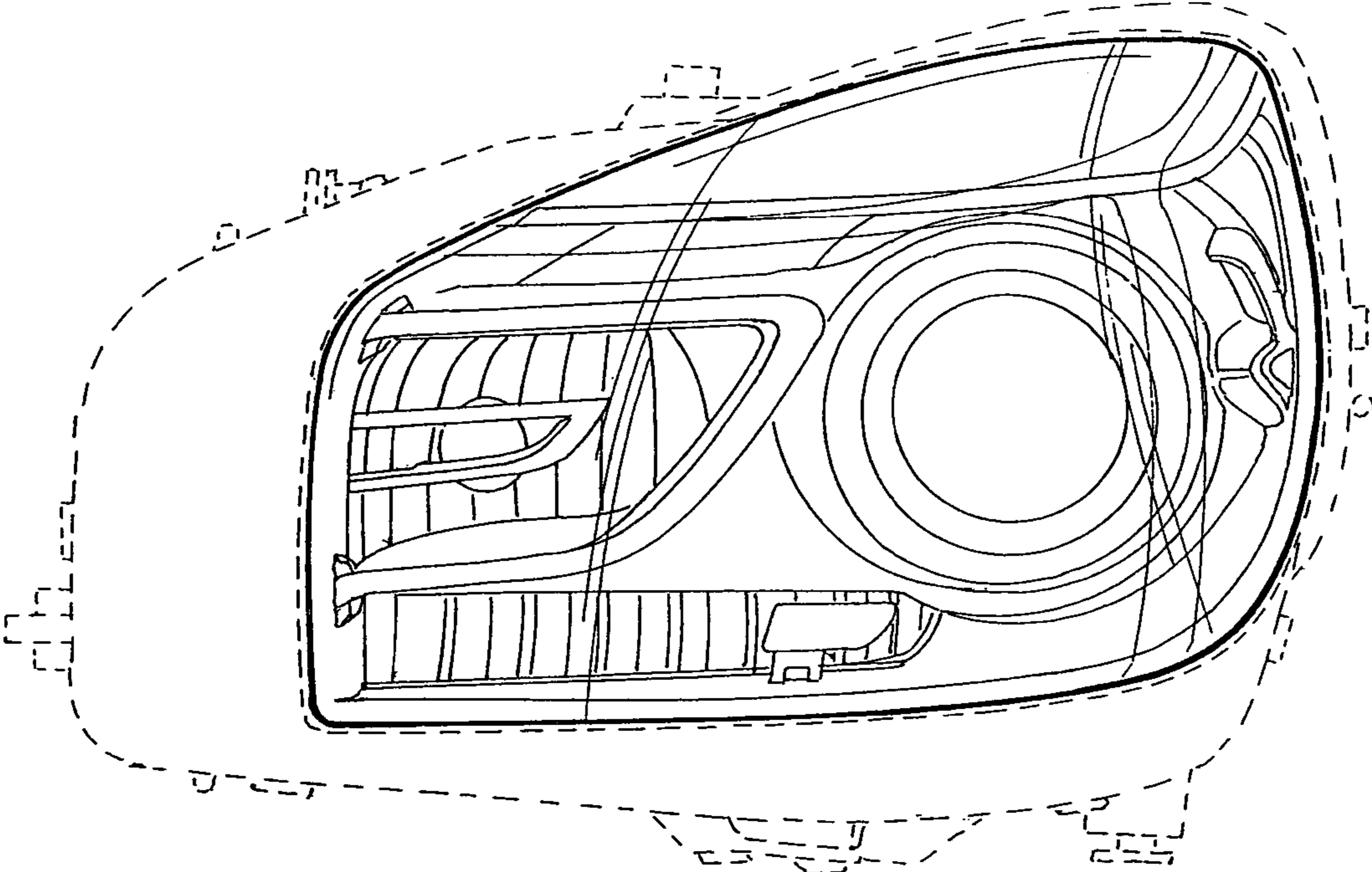


FIG. 2

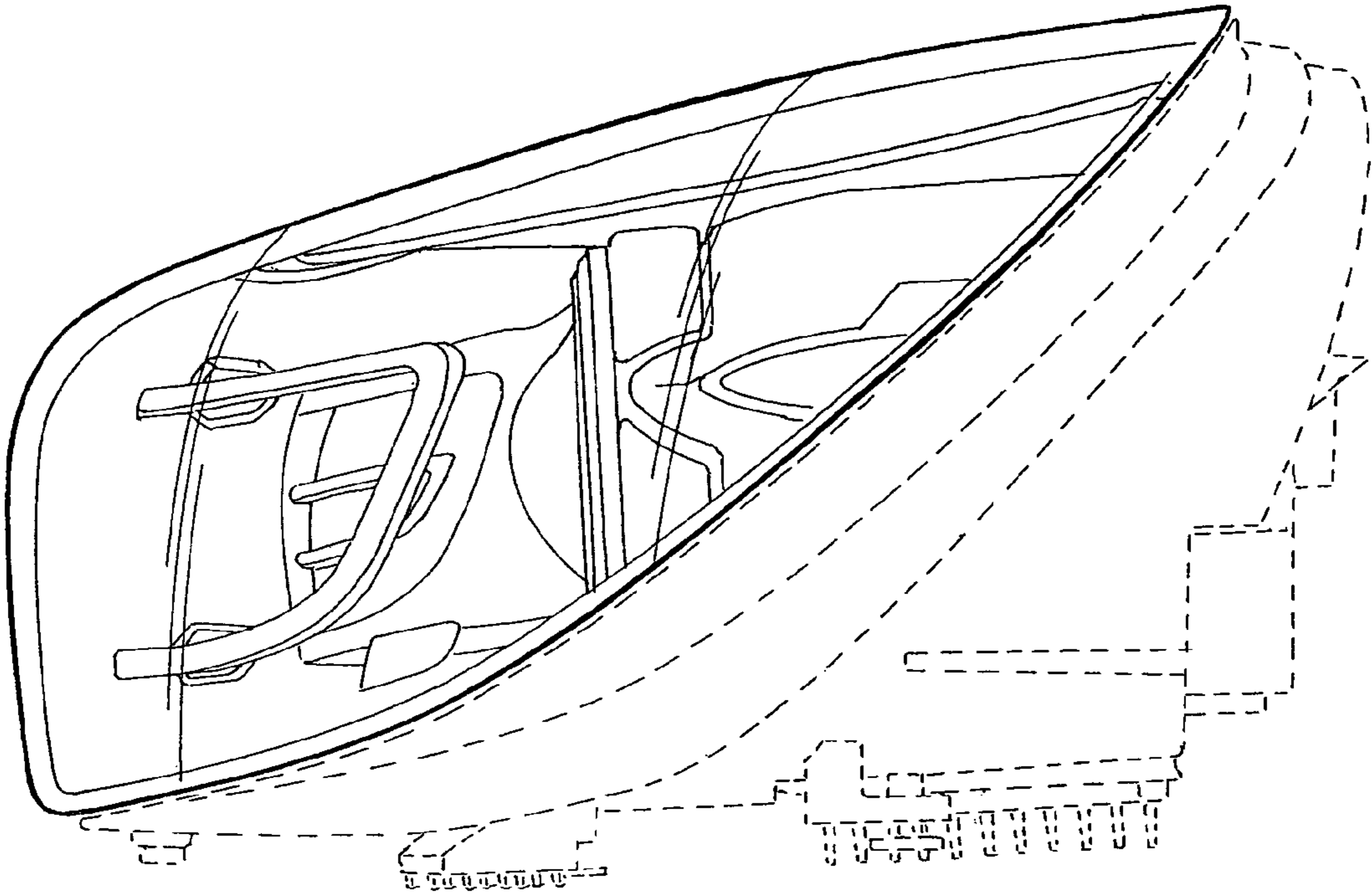


FIG. 3

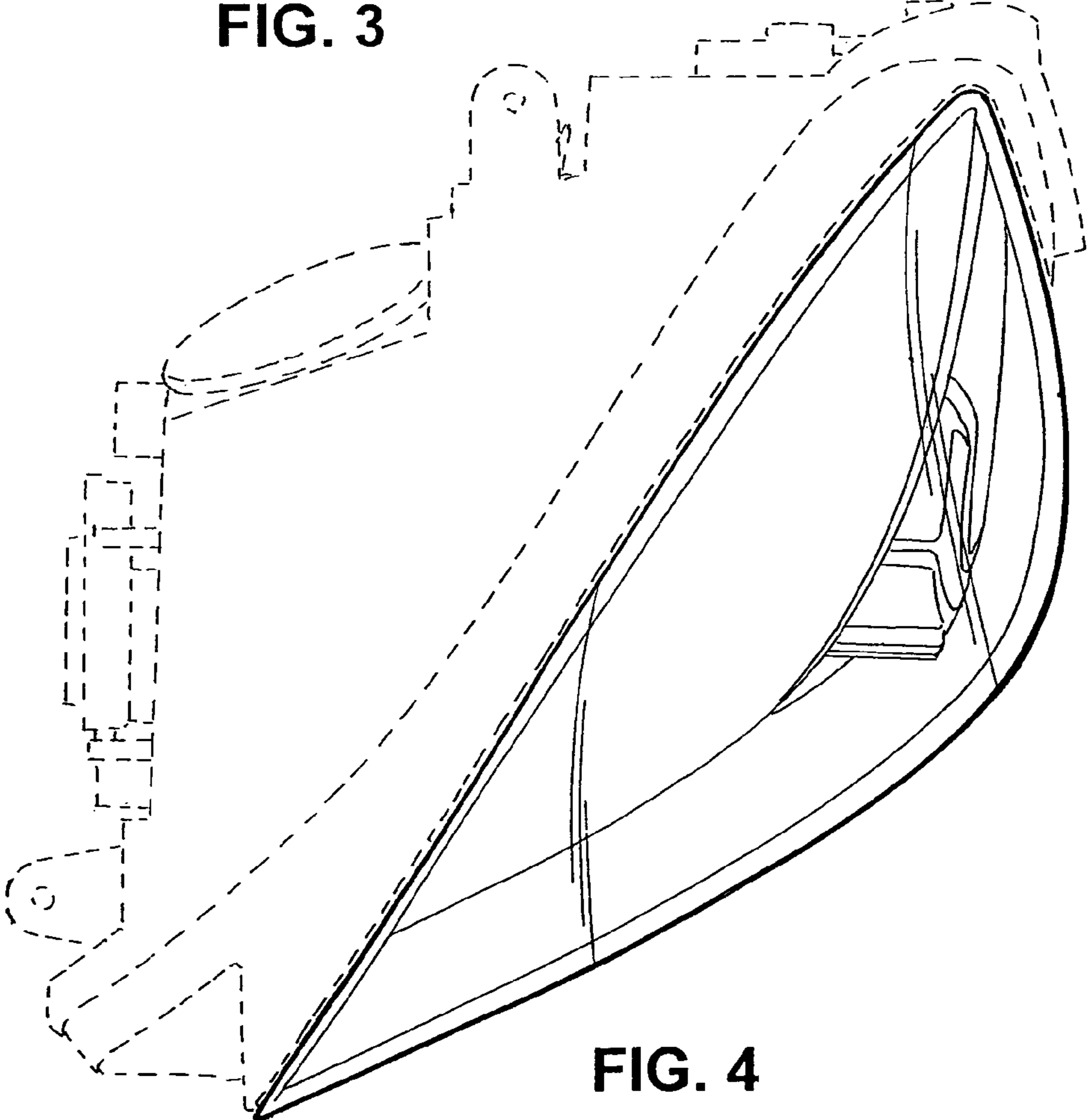


FIG. 4

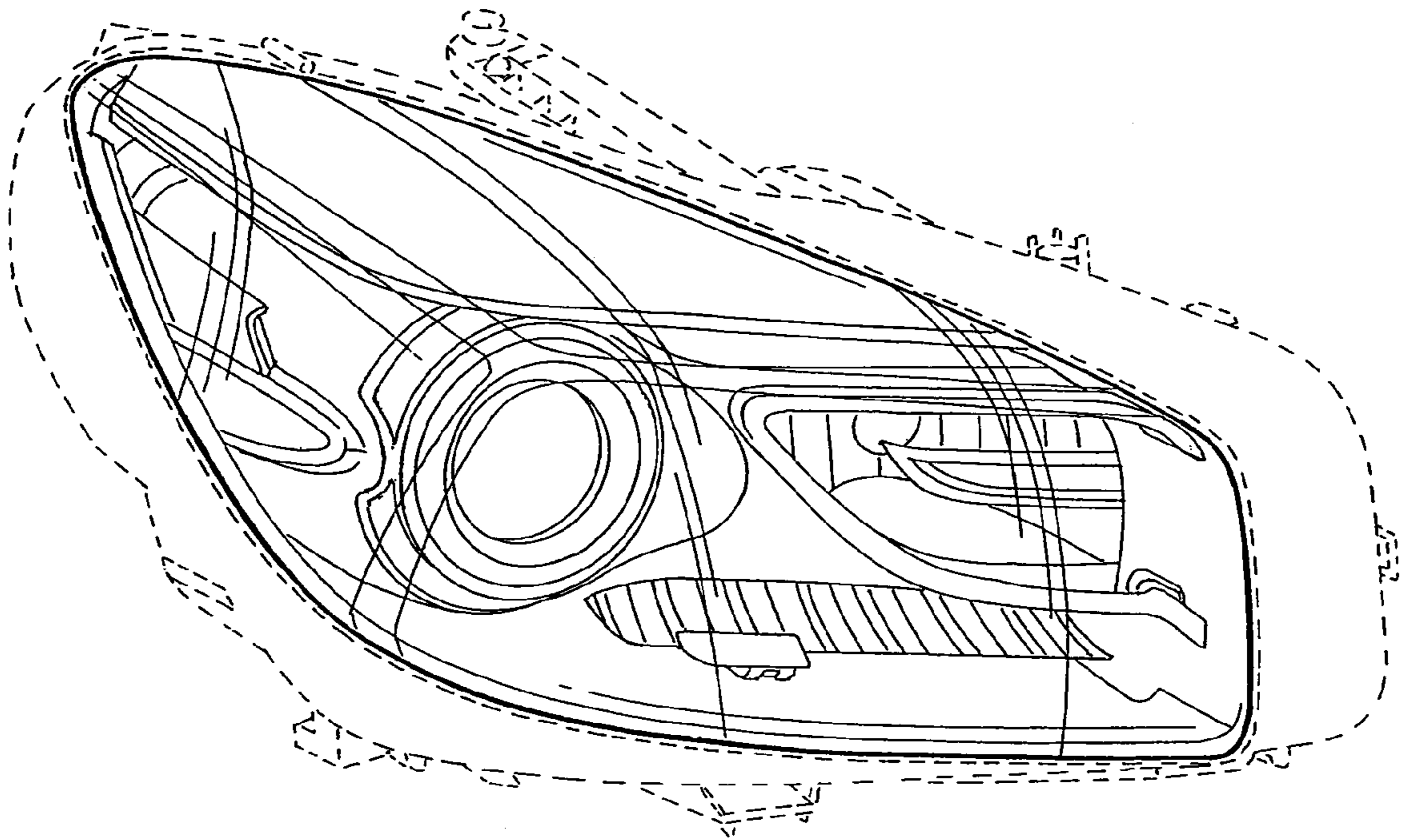


FIG. 5

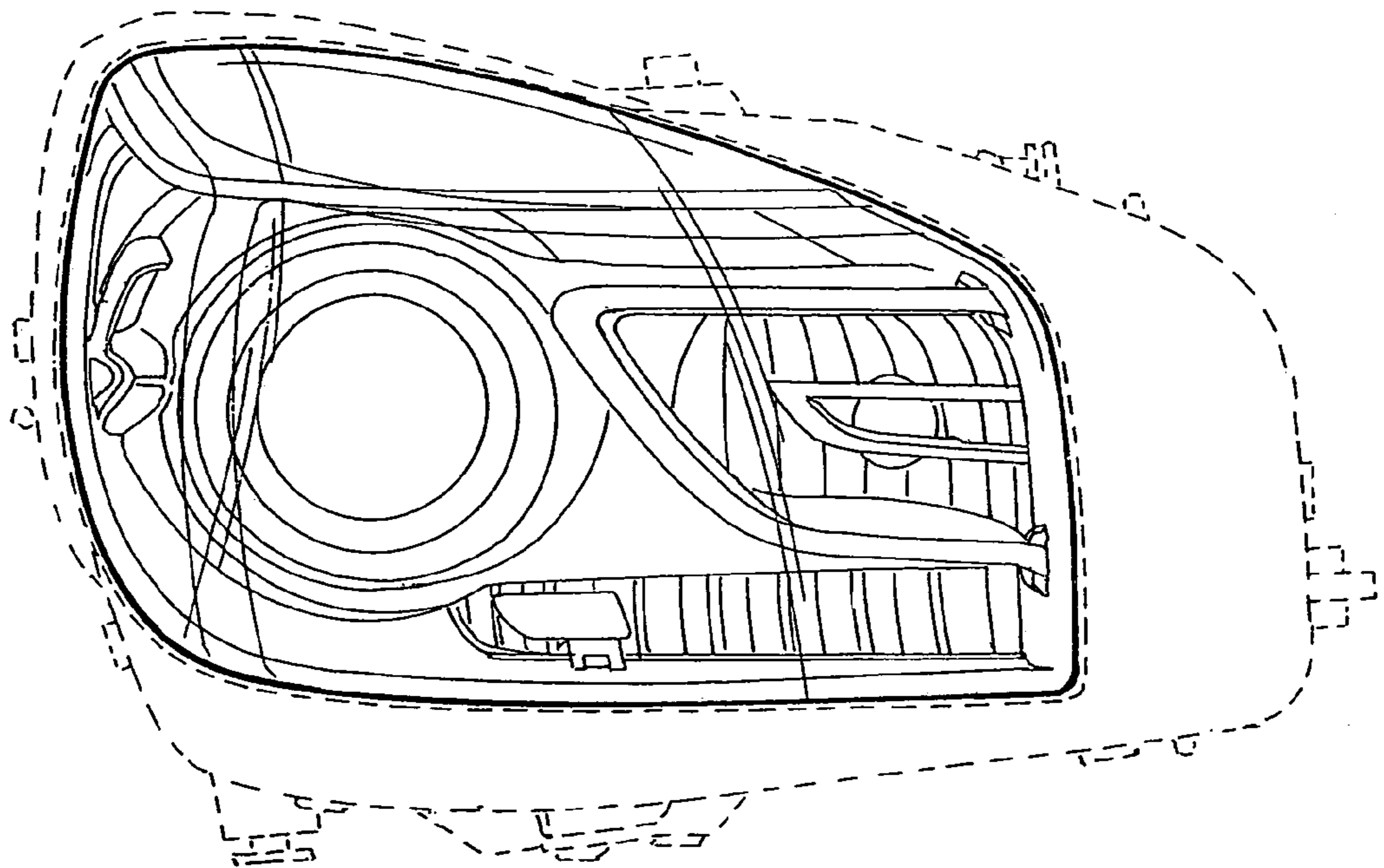


FIG. 6

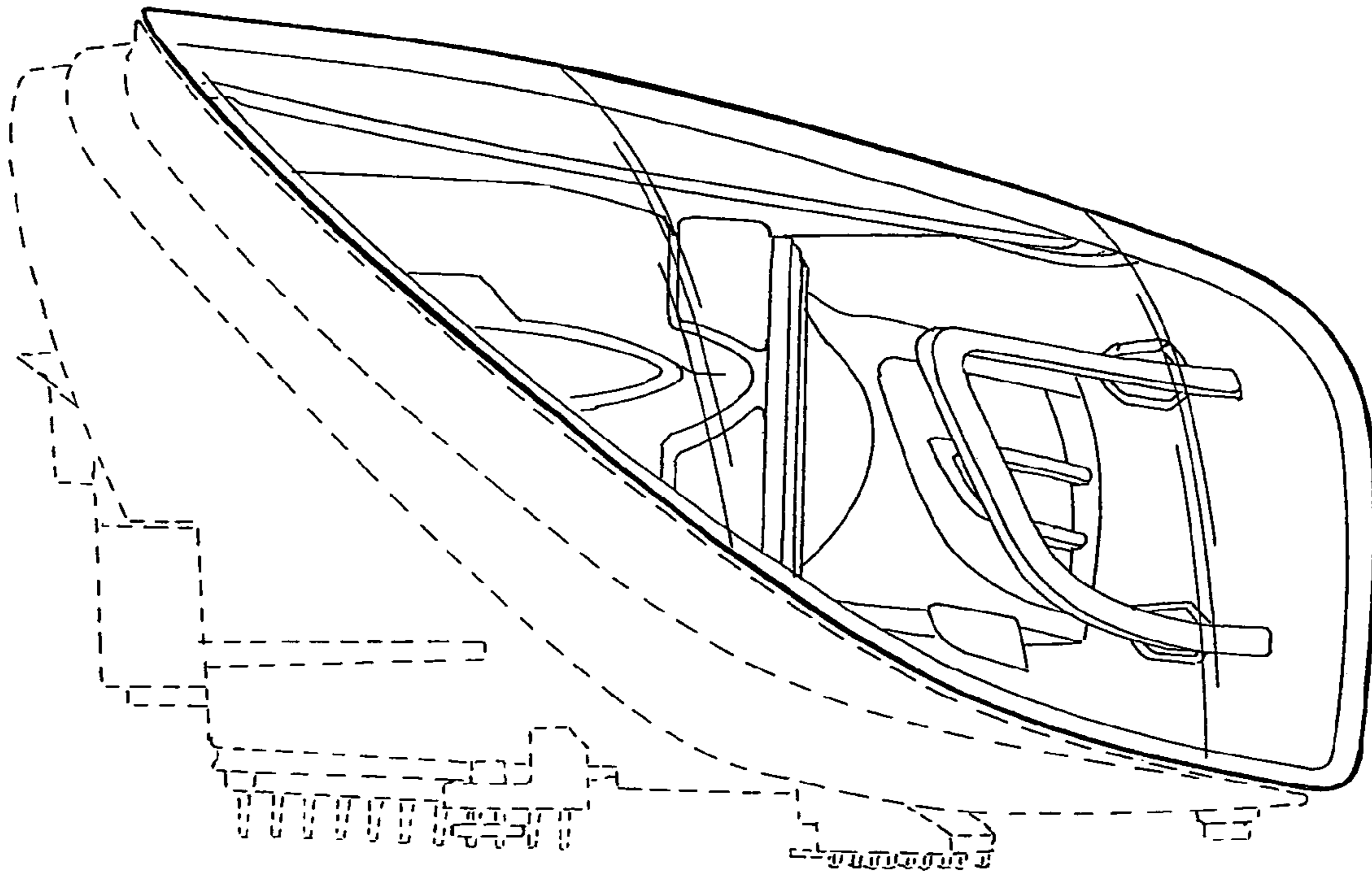


FIG. 7

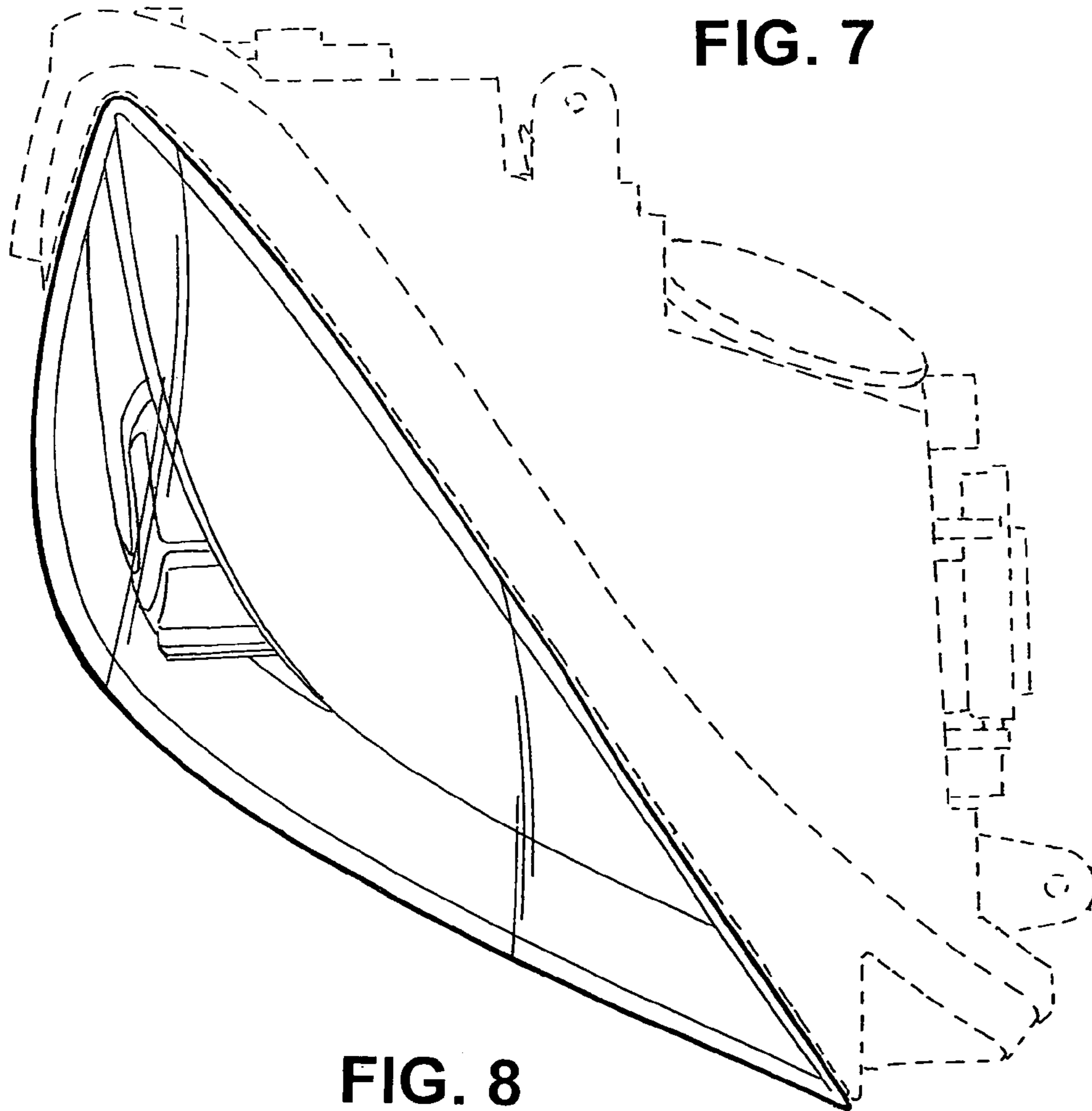


FIG. 8