



US00D671242S

(12) **United States Design Patent**
Sakamoto et al.

(10) **Patent No.:** **US D671,242 S**
(45) **Date of Patent:** **** Nov. 20, 2012**

(54) **LED LIGHT BULB**
(75) Inventors: **Mitsuhide Sakamoto**, Aichi (JP);
Toshiaki Yagi, Aichi (JP); **Junichi**
Ando, Aichi (JP)
(73) Assignee: **S. K. G. Co., Ltd.**, Aichi (JP)
(**) Term: **14 Years**
(21) Appl. No.: **29/418,535**
(22) Filed: **Apr. 18, 2012**

Related U.S. Application Data

(62) Division of application No. 29/347,972, filed on Aug. 20, 2010, now Pat. No. Des. 662,231.

Foreign Application Priority Data

Apr. 23, 2010 (JP) 2010-010264

(51) **LOC (9) Cl.** **26-04**
(52) **U.S. Cl.** **D26/2**
(58) **Field of Classification Search** D26/1-5;
313/313, 315, 316, 317, 318, 493; 315/52,
315/53, 56, 57, 58; D13/110, 180; 362/294,
362/309

See application file for complete search history.

References Cited

U.S. PATENT DOCUMENTS

D289,798 S 5/1987 Joosten
4,777,405 A 10/1988 Hermes et al.
4,792,726 A 12/1988 Gandhi
D304,030 S 10/1989 Vakil
D346,456 S 4/1994 Matsumura et al.
D347,076 S 5/1994 DeKleine et al.
D347,077 S 5/1994 DeKleine et al.
5,309,062 A 5/1994 Perkins et al.

5,546,291 A 8/1996 Simes
5,575,459 A 11/1996 Anderson
D383,224 S 9/1997 Sangen et al.
D417,296 S 11/1999 Kato et al.
7,014,337 B2 3/2006 Chen
D574,091 S 7/2008 Sun
7,434,964 B1 10/2008 Zheng et al.
7,492,103 B2 2/2009 Hwang
7,513,653 B1 4/2009 Liu et al.
7,585,090 B2 9/2009 Wu
7,637,636 B2 12/2009 Zheng et al.
D629,537 S 12/2010 Hsu et al.
D630,348 S 1/2011 Duan et al.
D631,567 S 1/2011 Lodhie
D641,895 S 7/2011 Huang
8,072,123 B1 12/2011 Han
8,092,045 B2 1/2012 Xiao et al.
D662,231 S * 6/2012 Sakamoto et al. D26/2
2004/0114367 A1 6/2004 Li
2007/0159828 A1 7/2007 Wang
2008/0013318 A1 1/2008 Sun et al.
2008/0316755 A1 12/2008 Zheng et al.
2011/0156584 A1 6/2011 Kim

* cited by examiner

Primary Examiner — Marcus Jackson

(74) *Attorney, Agent, or Firm* — Rabin & Berdo, P.C.

(57) **CLAIM**

The ornamental design for an LED light bulb, as shown and described.

DESCRIPTION

FIG. 1 is a perspective view of the LED light bulb;
FIG. 2 is a front view thereof;
FIG. 3 is a rear view thereof;
FIG. 4 is a plan view thereof;
FIG. 5 is a bottom plan view thereof;
FIG. 6 is a right side view thereof; and,
FIG. 7 is a left side view thereof.

1 Claim, 3 Drawing Sheets

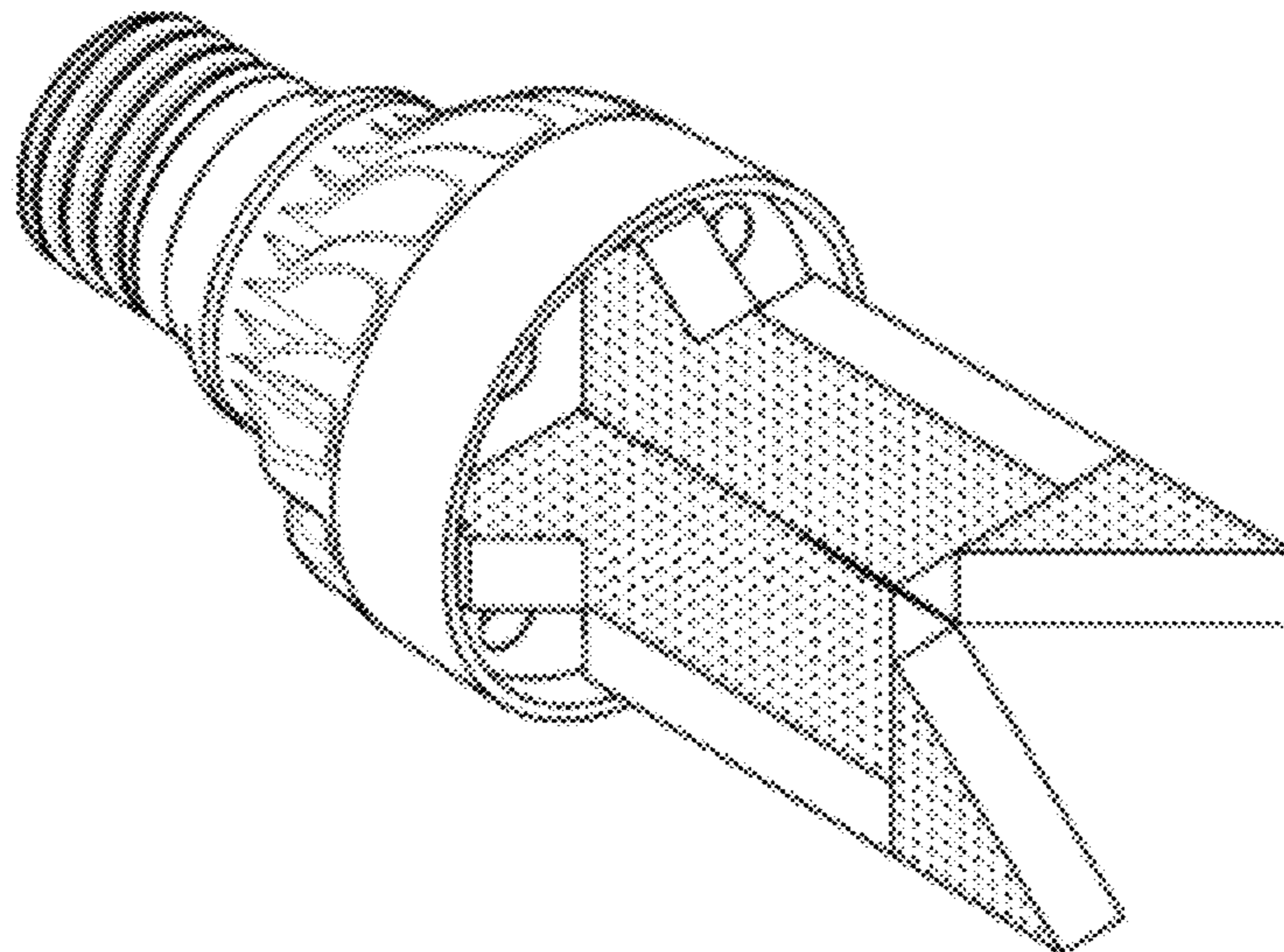


FIGURE 1

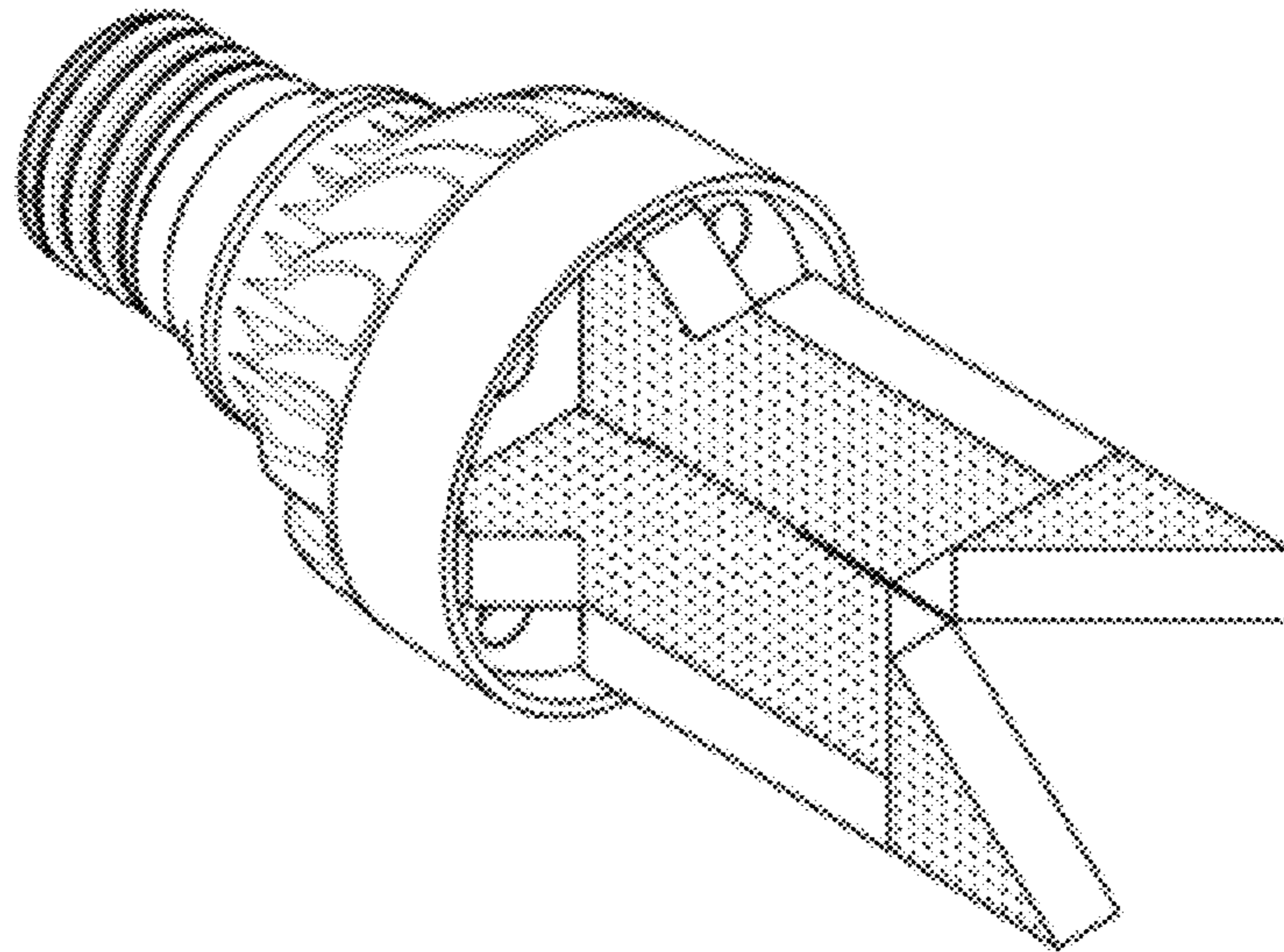


FIGURE 2

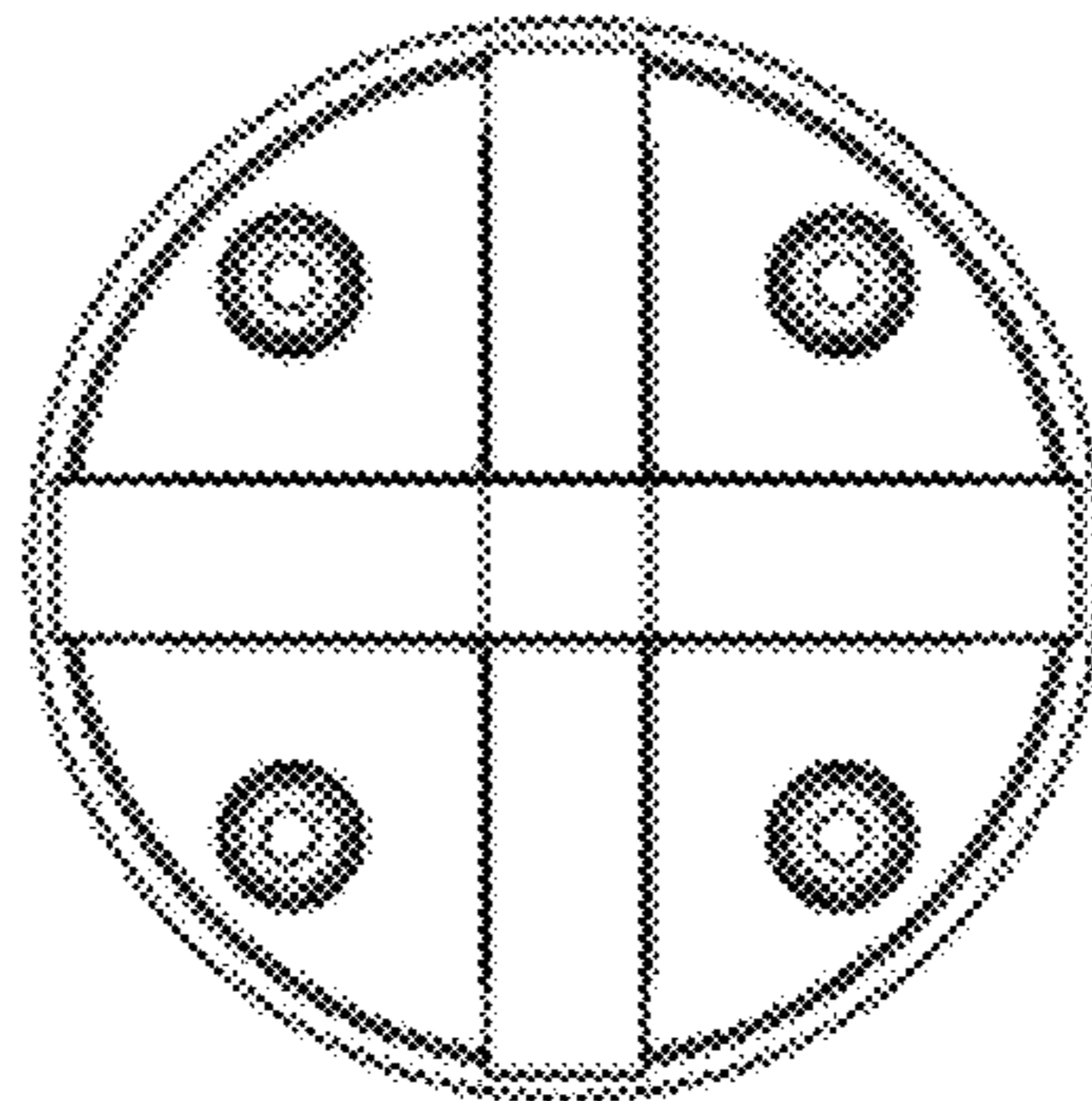


FIGURE 3

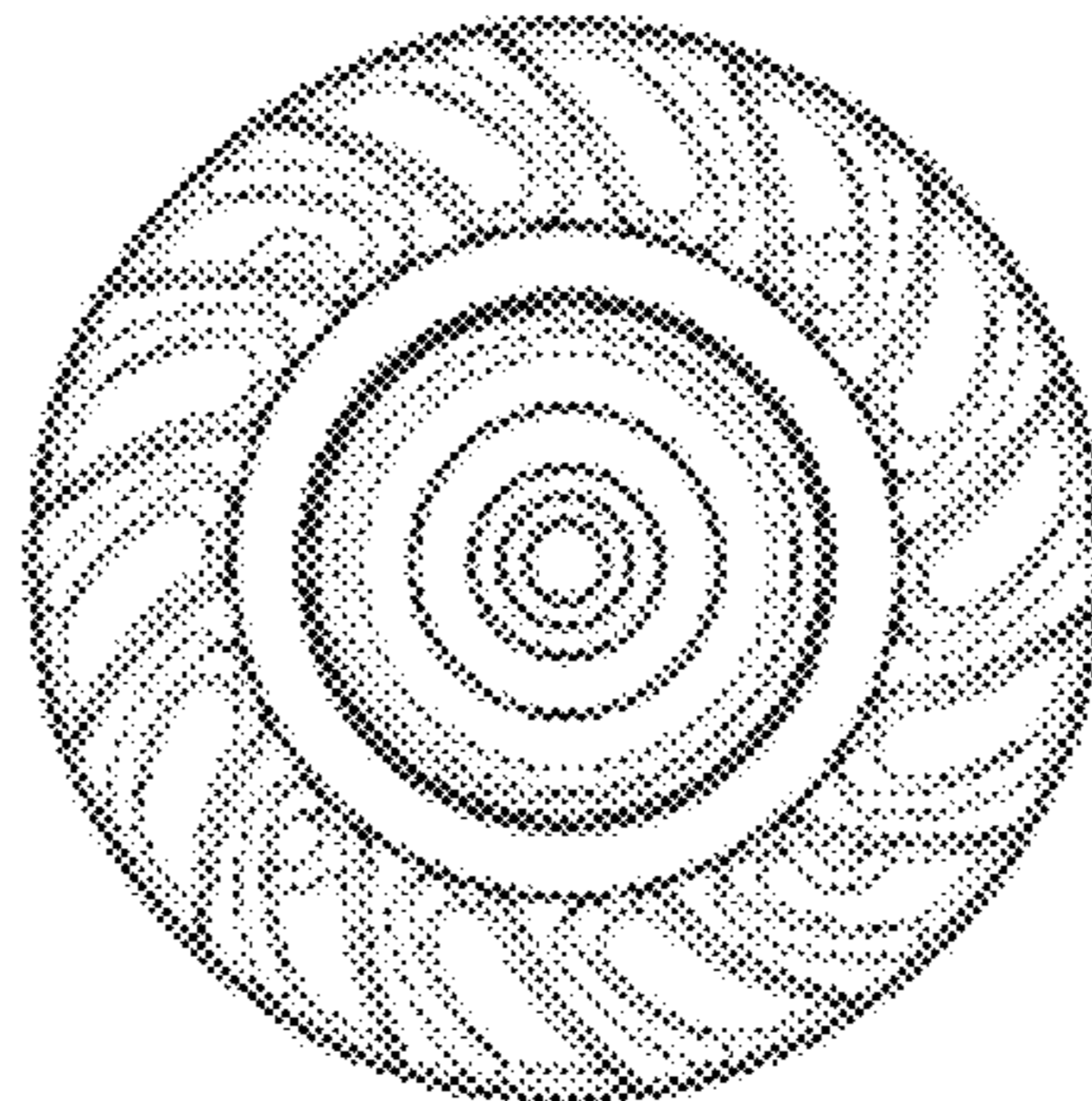


FIGURE 4

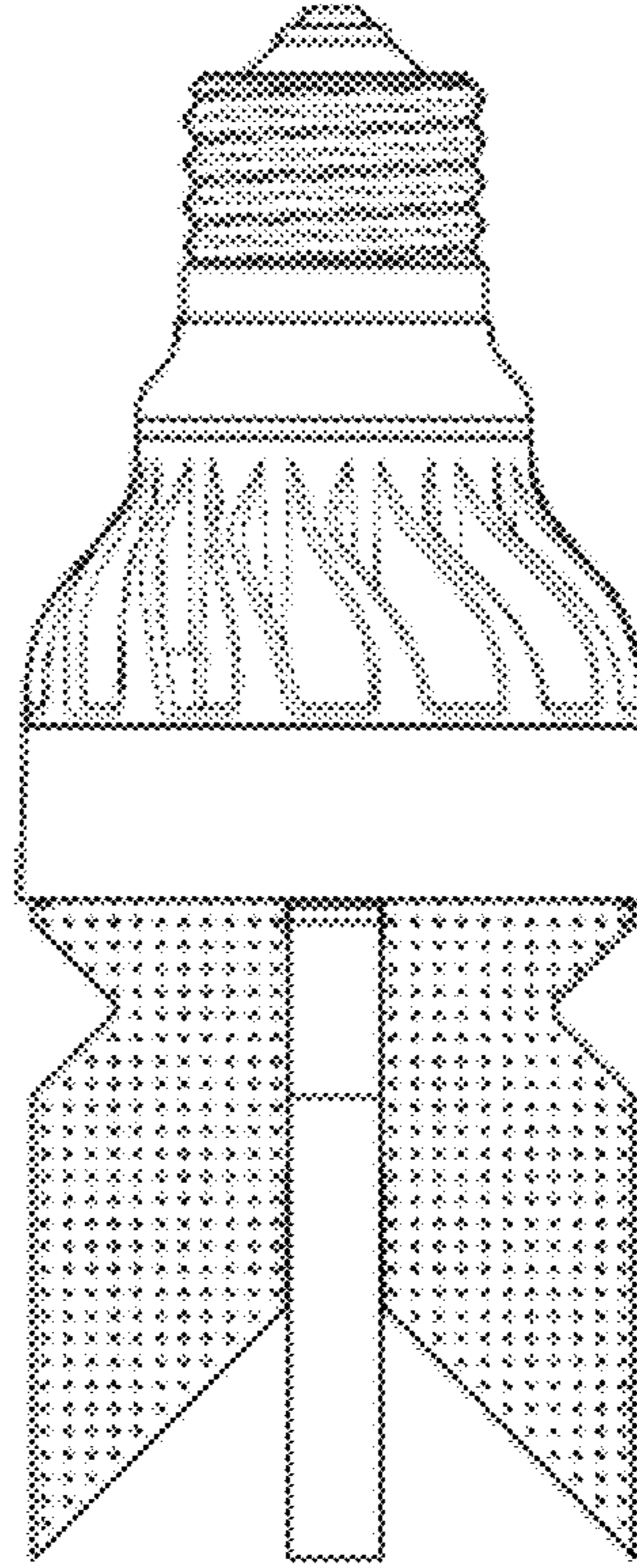


FIGURE 5

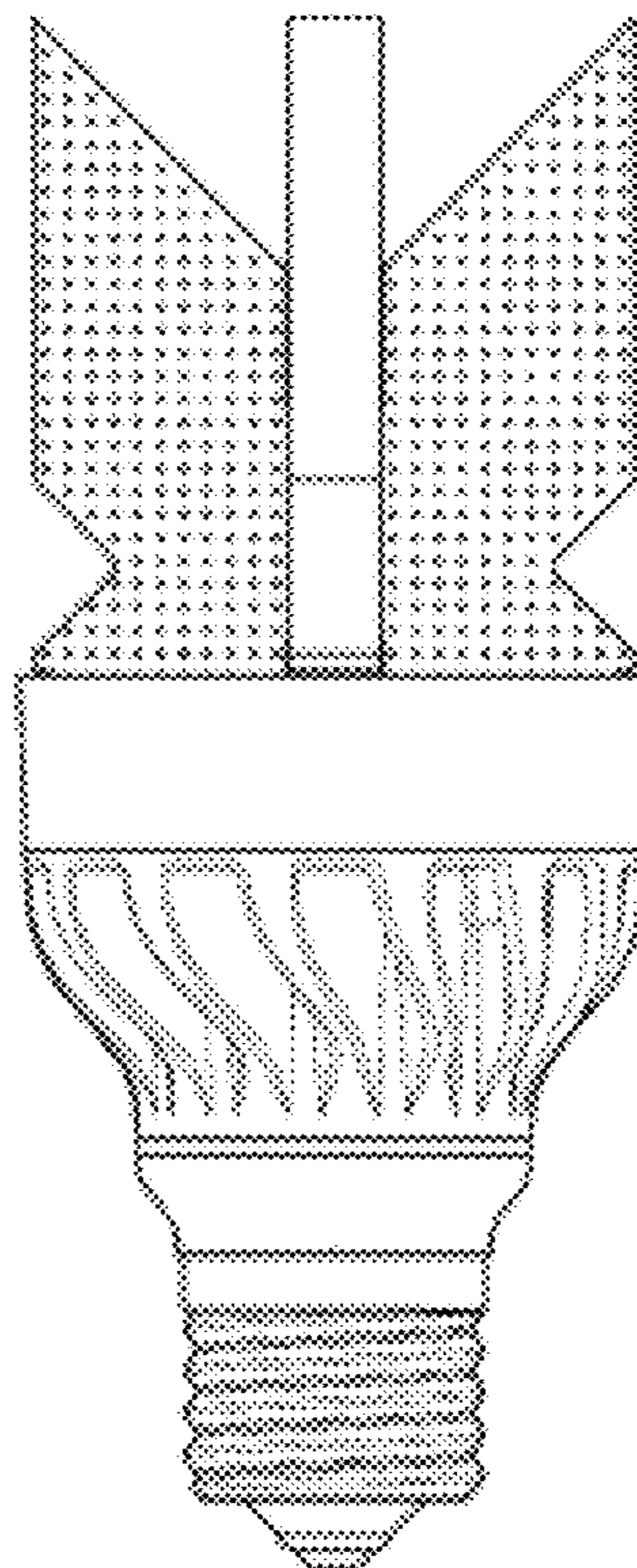


FIGURE 6

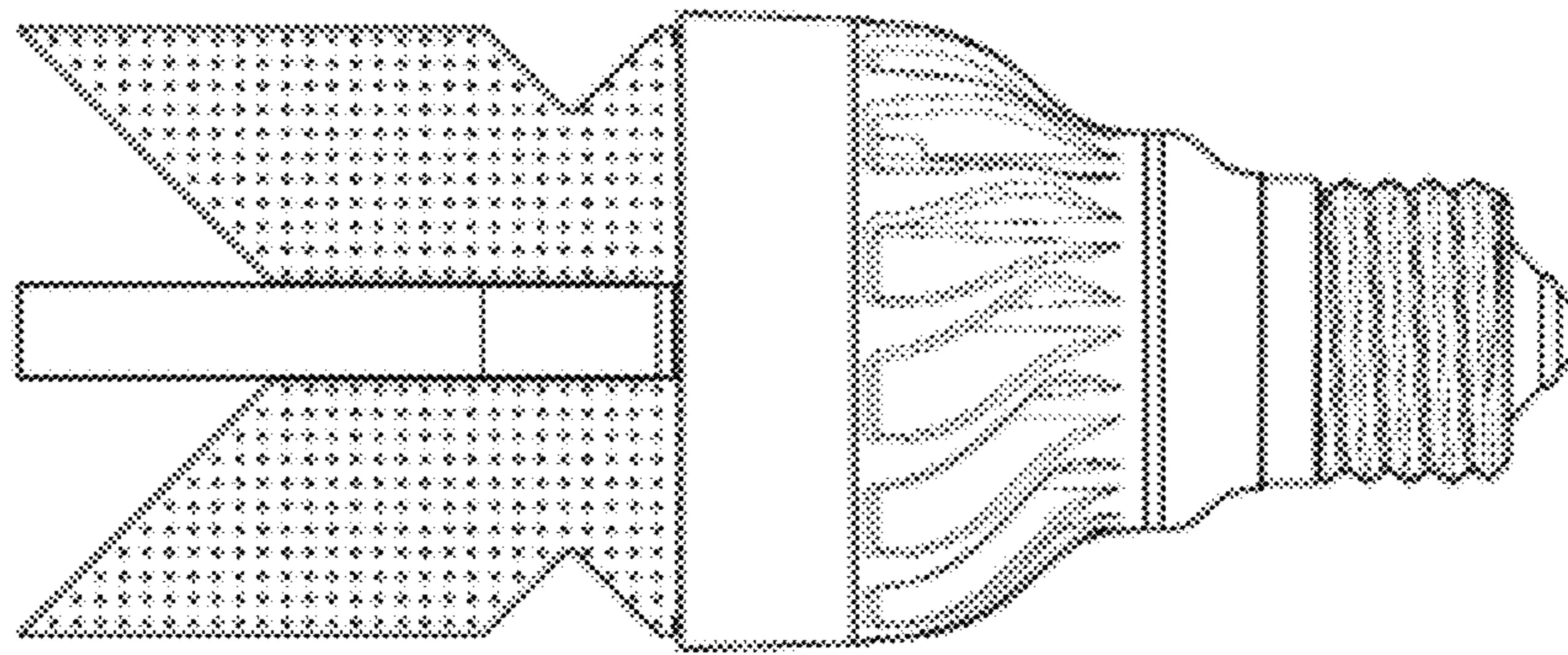


FIGURE 7

