



US00D671240S

(12) **United States Design Patent**
Sakamoto et al.

(10) **Patent No.:** **US D671,240 S**
(45) **Date of Patent:** **** Nov. 20, 2012**

(54) **LED LIGHT BULB**

(75) Inventors: **Mitsuhide Sakamoto**, Aichi (JP);
Toshiaki Yagi, Aichi (JP); **Junichi**
Ando, Aichi (JP)

(73) Assignee: **S. K. G. Co., Ltd.**, Aichi (JP)

(**) Term: **14 Years**

(21) Appl. No.: **29/418,447**

(22) Filed: **Apr. 17, 2012**

Related U.S. Application Data

(62) Division of application No. 29/347,973, filed on Aug.
20, 2010, now Pat. No. Des. 663,445.

(30) **Foreign Application Priority Data**

Feb. 23, 2010 (JP) 2010-004144

(51) **LOC (9) Cl.** **26-04**

(52) **U.S. Cl.** **D26/2**

(58) **Field of Classification Search** D26/1-5;
313/315, 316, 317, 318, 493; 315/52, 53,
315/56, 57, 58; D13/110, 180; 362/294,
362/309

See application file for complete search history.

(56) **References Cited**

U.S. PATENT DOCUMENTS

| | | |
|-------------|---------|------------------|
| D289,798 S | 5/1987 | Joosten |
| 4,777,405 A | 10/1988 | Hermes et al. |
| 4,792,726 A | 12/1988 | Gandhi |
| D304,030 S | 10/1989 | Vakil |
| D346,456 S | 4/1994 | Matsumura et al. |
| D347,076 S | 5/1994 | DeKleine et al. |
| D347,077 S | 5/1994 | DeKleine et al. |
| 5,309,062 A | 5/1994 | Perkins et al. |
| 5,546,291 A | 8/1996 | Simes |
| 5,575,459 A | 11/1996 | Anderson |

| | | |
|-----------------|---------|----------------------------|
| D383,224 S | 9/1997 | Sangen et al. |
| D417,296 S | 11/1999 | Kato et al. |
| 7,014,337 B2 | 3/2006 | Chen |
| D574,091 S | 7/2008 | Sun |
| 7,434,964 B1 | 10/2008 | Zheng et al. |
| 7,492,103 B2 | 2/2009 | Hwang |
| 7,513,653 B1 | 4/2009 | Liu et al. |
| 7,585,090 B2 | 9/2009 | Wu |
| 7,637,636 B2 | 12/2009 | Zheng et al. |
| D629,537 S | 12/2010 | Hsu et al. |
| D630,348 S | 1/2011 | Duan et al. |
| D631,567 S | 1/2011 | Lodhie |
| D641,895 S | 7/2011 | Huang |
| 8,072,123 B1 | 12/2011 | Han |
| 8,092,045 B2 | 1/2012 | Xiao et al. |
| D662,231 S * | 6/2012 | Sakamoto et al. D26/2 |
| 2004/0114367 A1 | 6/2004 | Li |
| 2007/0159828 A1 | 7/2007 | Wang |
| 2008/0013318 A1 | 1/2008 | Sun et al. |
| 2008/0316755 A1 | 12/2008 | Zheng et al. |
| 2011/0156584 A1 | 6/2011 | Kim |

* cited by examiner

Primary Examiner — Marcus Jackson

(74) *Attorney, Agent, or Firm* — Rabin & Berdo, P.C.

(57) **CLAIM**

The ornamental design for an LED light bulb, as shown and described.

DESCRIPTION

FIG. 1 is a perspective view of the LED light bulb;

FIG. 2 is a front view thereof;

FIG. 3 is a rear view thereof;

FIG. 4 is a plan view thereof;

FIG. 5 is a bottom plan view thereof;

FIG. 6 is a right side view thereof; and,

FIG. 7 is a left side view thereof.

The portions of the LED light bulb that are shown in broken lines throughout the drawings are for illustrative purposes only and form no part of the claimed design.

1 Claim, 3 Drawing Sheets

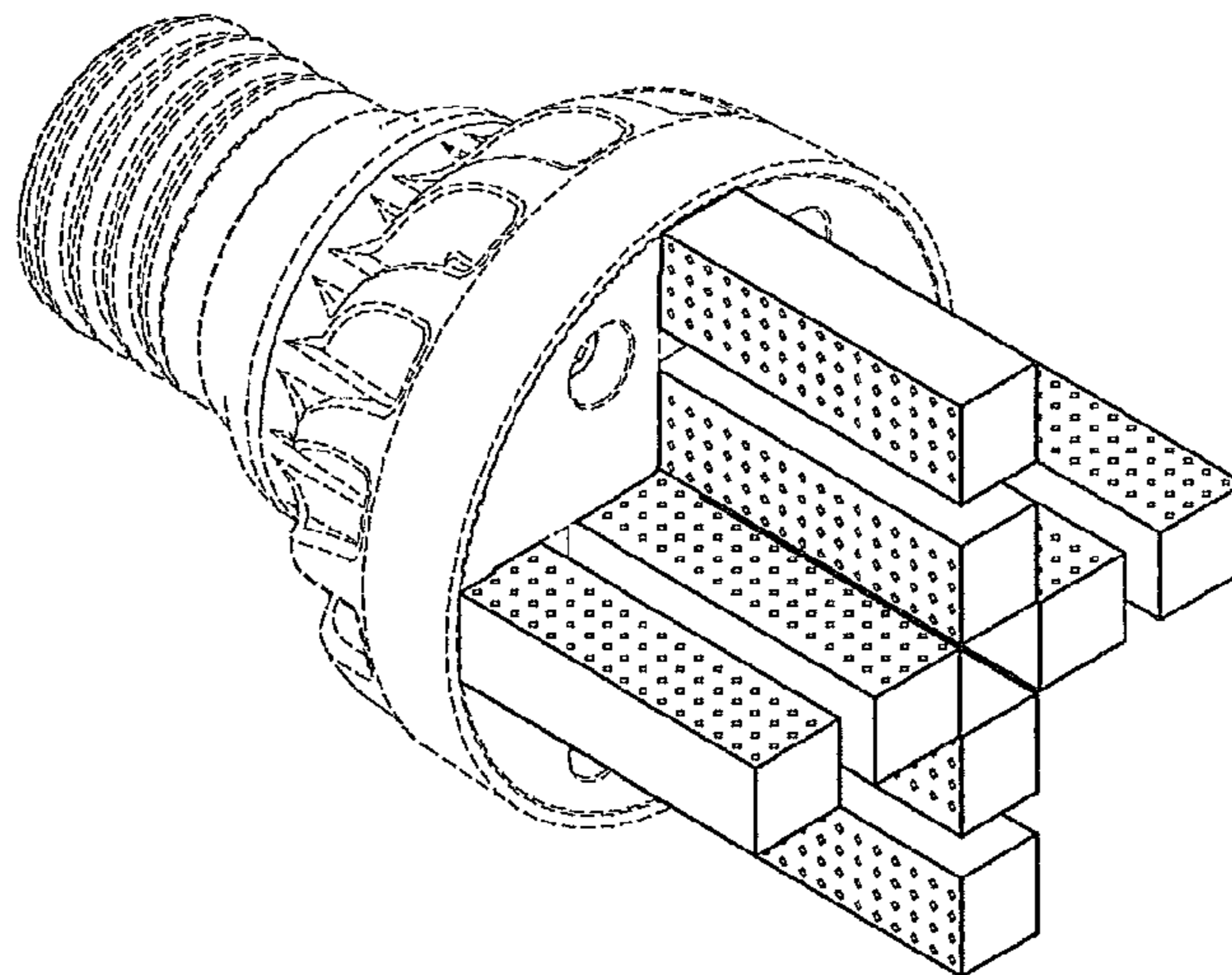


FIGURE 1

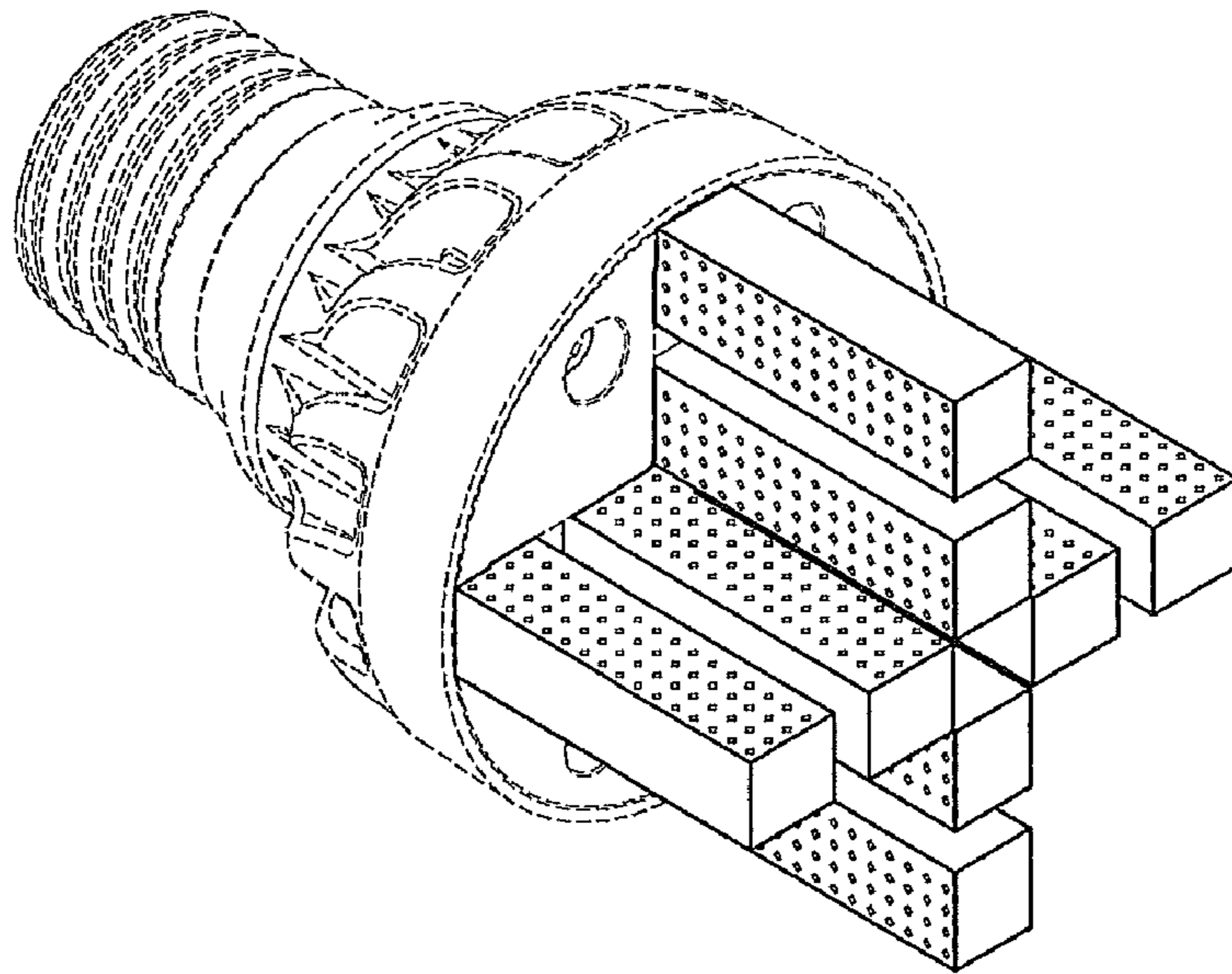


FIGURE 2

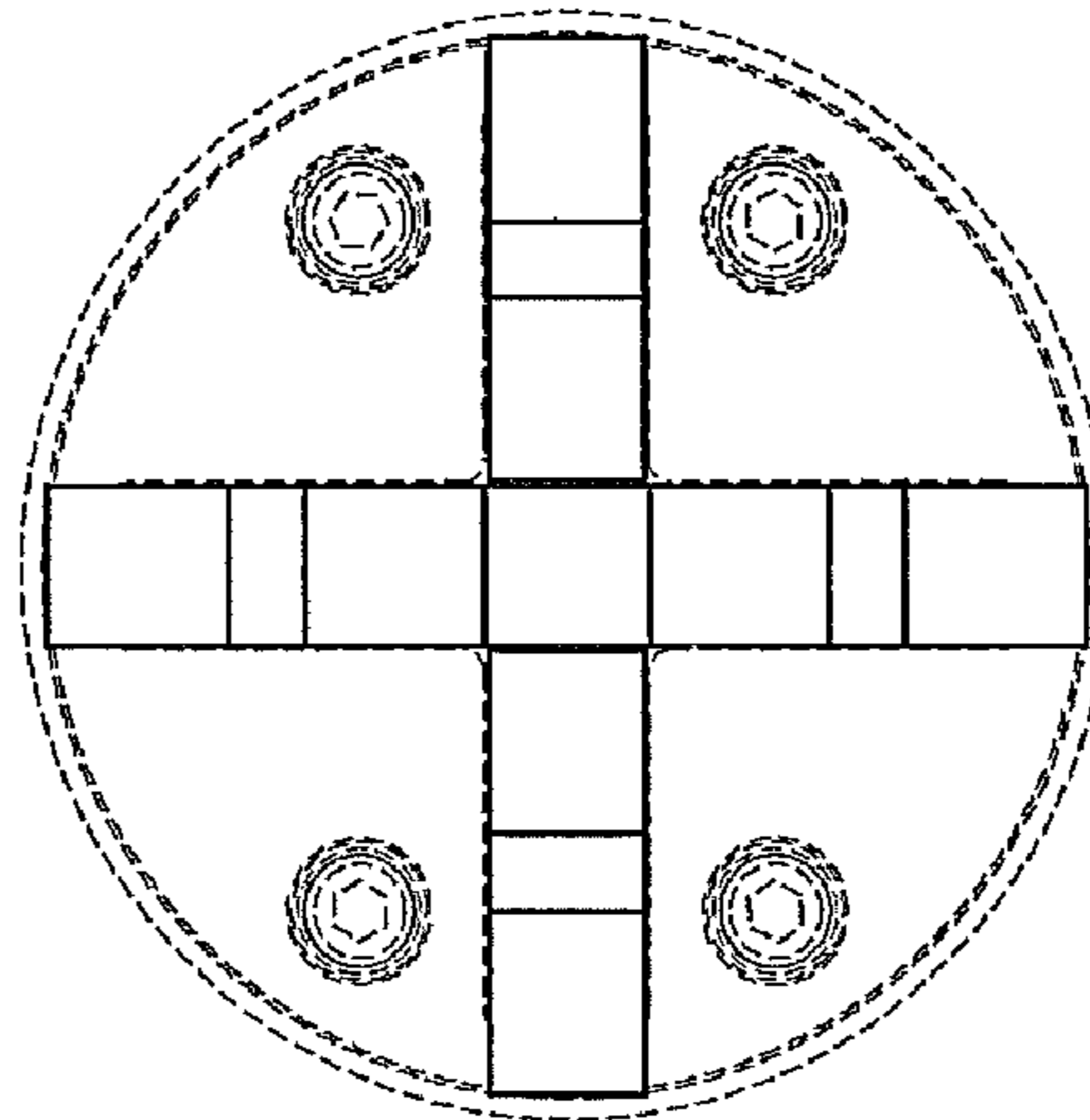


FIGURE 3

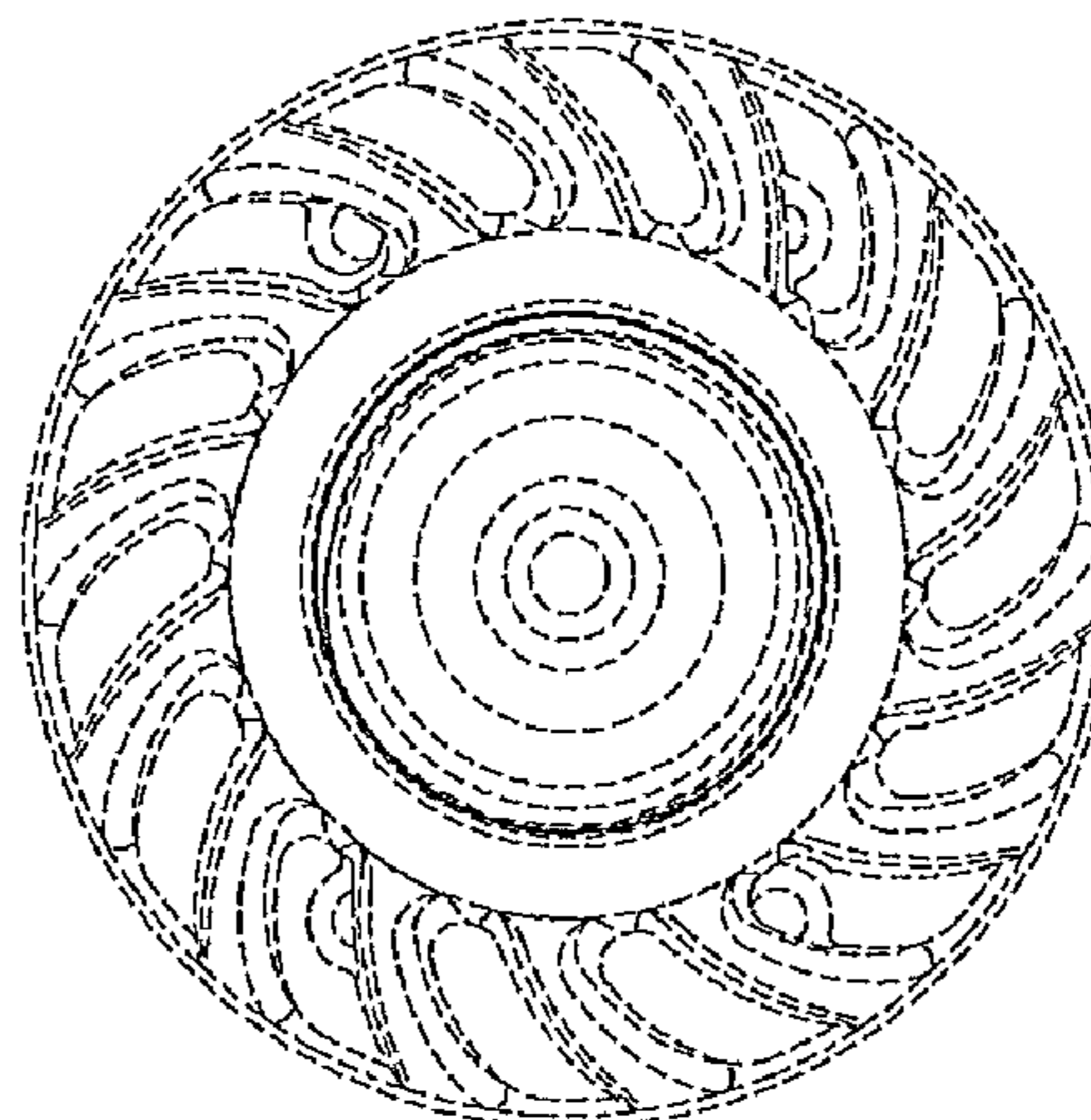


FIGURE 4

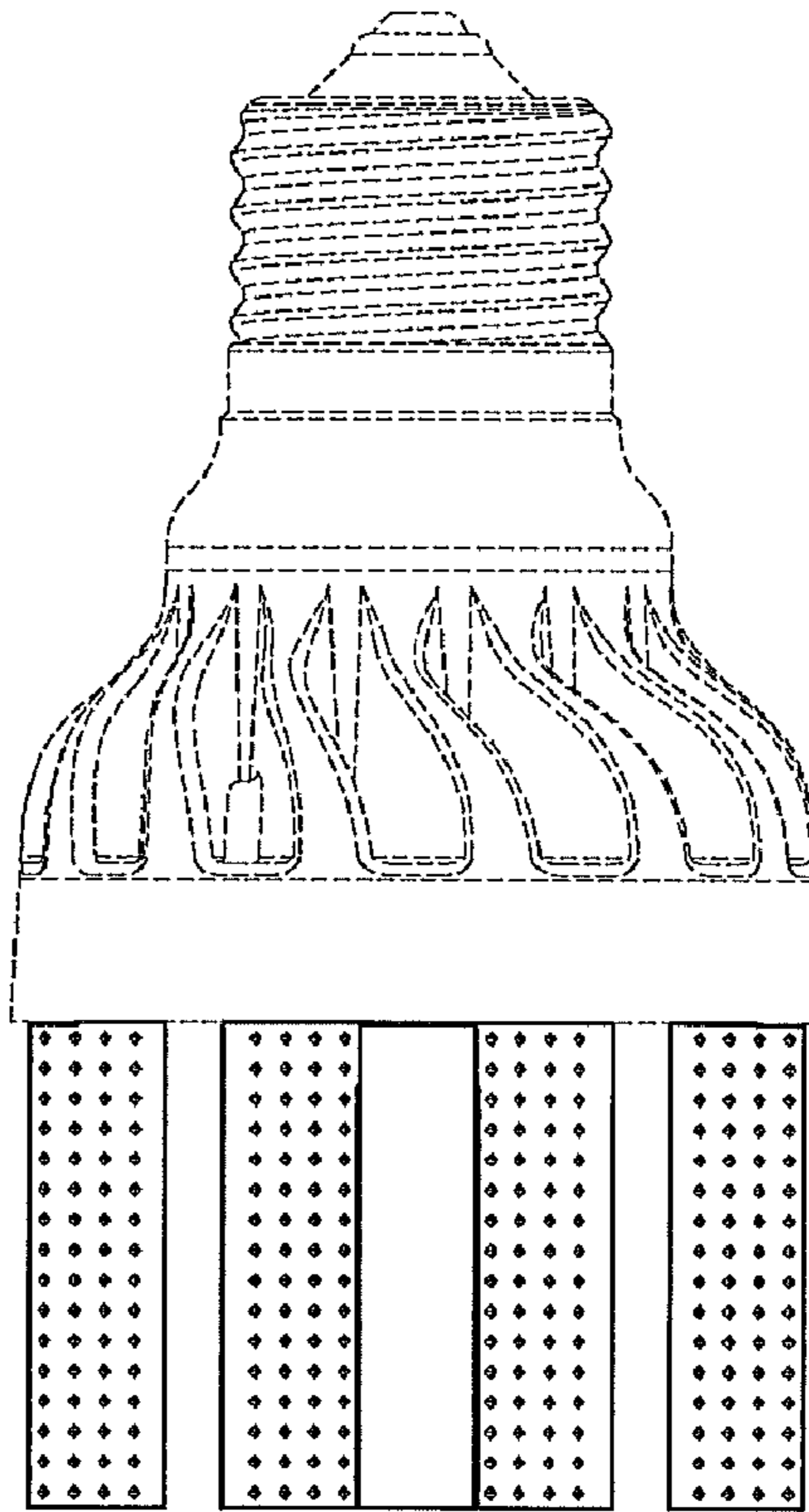


FIGURE 5

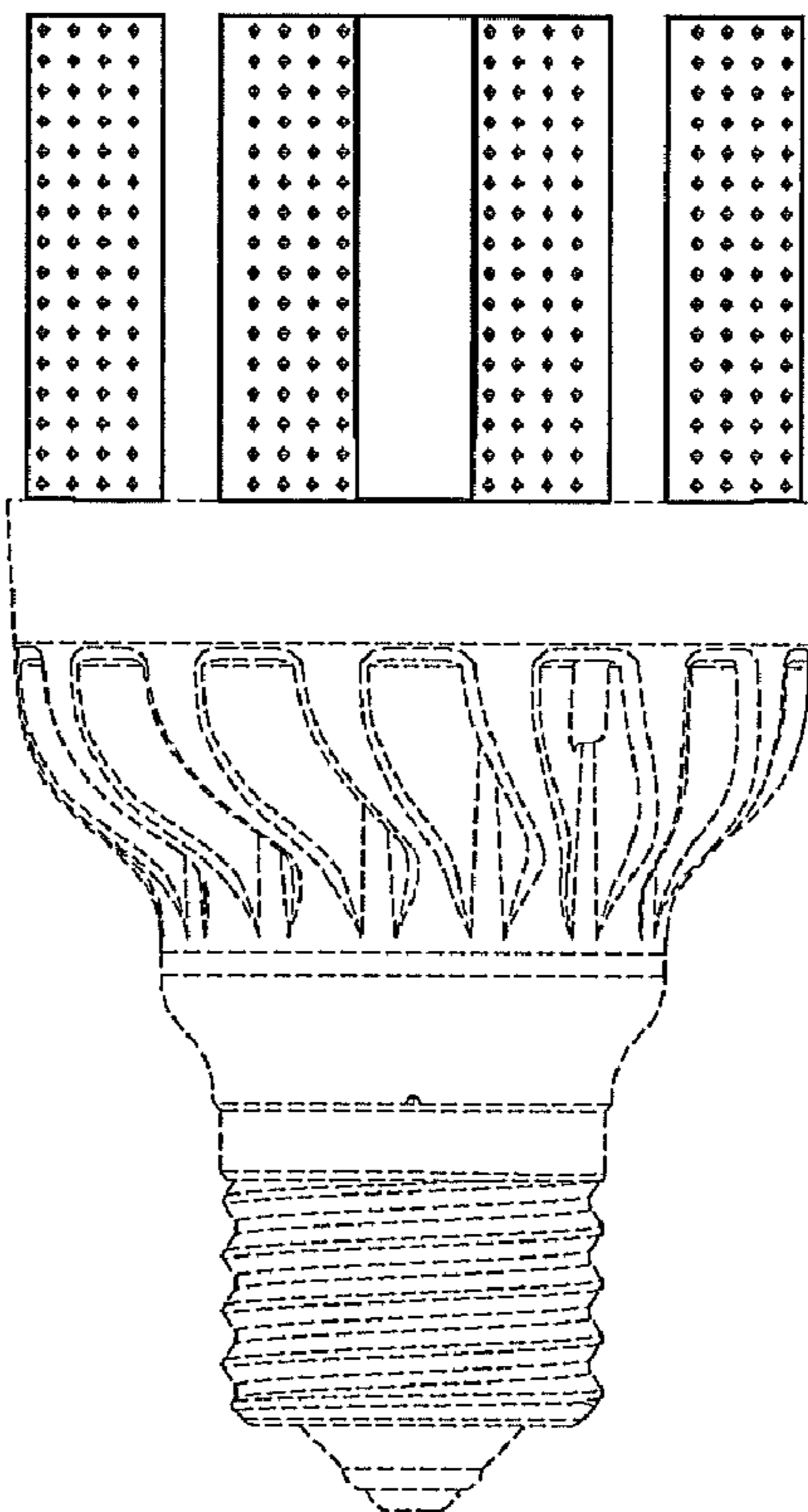


FIGURE 6

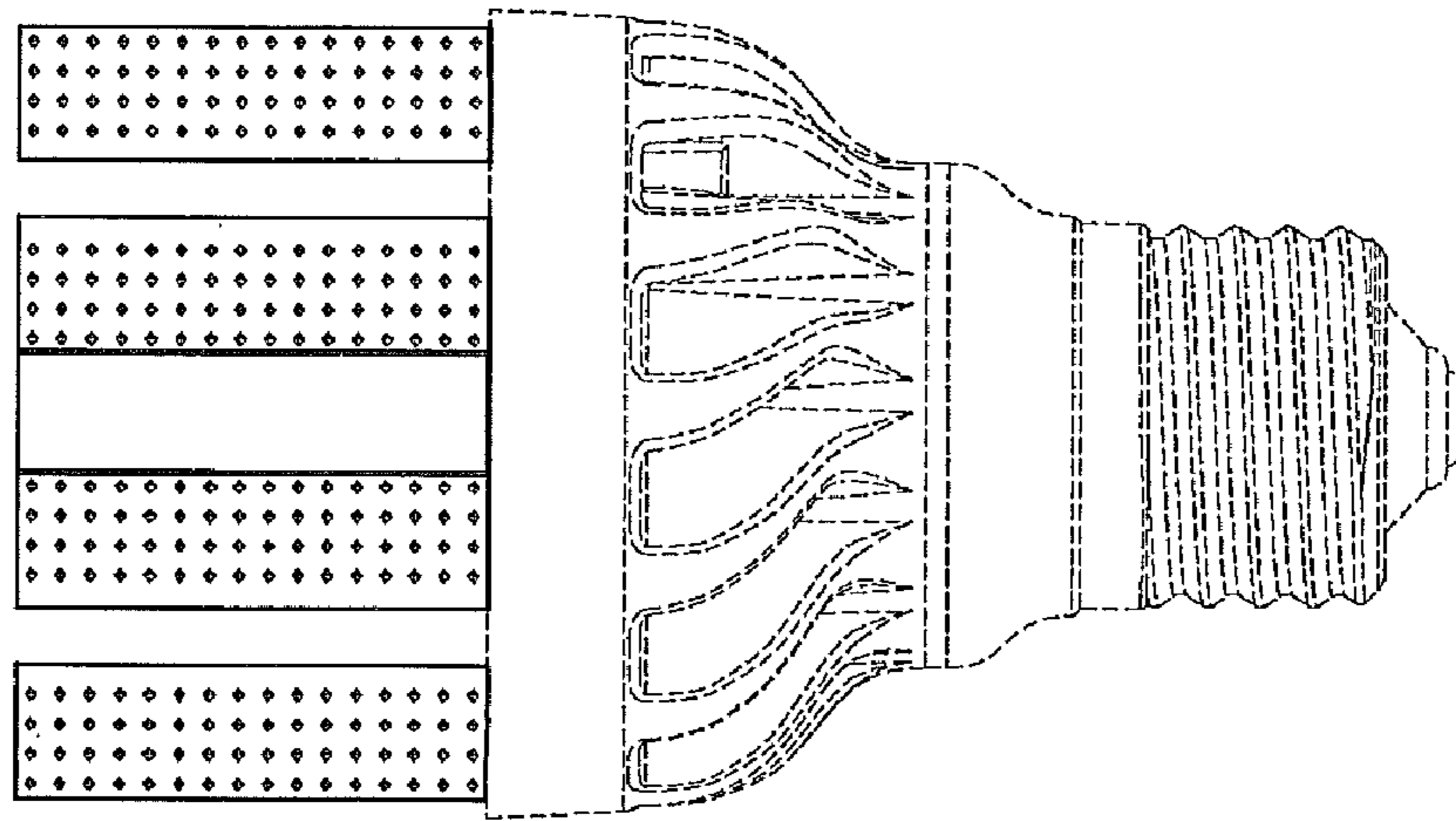


FIGURE 7

