



US00D671237S

(12) **United States Design Patent**  
**Chen et al.**

(10) **Patent No.:** **US D671,237 S**  
(45) **Date of Patent:** **\*\* Nov. 20, 2012**

(54) **LAMP**

(56) **References Cited**

(75) Inventors: **Chang-Han Chen**, Hsin Chu County (TW); **Cheng-Chun Liao**, Hsin Chu (TW); **Chia-Shen Cheng**, Taichung (TW); **Chih-Yun Lu**, Ping Tung County (TW)

U.S. PATENT DOCUMENTS

|              |        |                  |       |
|--------------|--------|------------------|-------|
| D613,887 S * | 4/2010 | Lee et al. ....  | D26/2 |
| D623,774 S * | 9/2010 | Tsai .....       | D26/2 |
| D631,990 S * | 2/2011 | Bobel .....      | D26/2 |
| D663,058 S * | 7/2012 | Pan .....        | D26/2 |
| D663,869 S * | 7/2012 | Choi et al. .... | D26/2 |

\* cited by examiner

(73) Assignee: **Lextar Electronics, Corp.**, Hsinchu (TW)

*Primary Examiner* — Marcus Jackson

(\*\*) Term: **14 Years**

(74) *Attorney, Agent, or Firm* — Schmeiser Olsen & Watts LLP

(21) Appl. No.: **29/416,481**

(57) **CLAIM**

The ornamental design for a lamp, as shown and described.

(22) Filed: **Mar. 22, 2012**

**DESCRIPTION**

(51) **LOC (9) Cl.** ..... **26-04**

(52) **U.S. Cl.** ..... **D26/2**

(58) **Field of Classification Search** ..... D26/1-4;  
313/313, 315, 316, 317, 318, 493; 315/52,  
315/53, 56, 57, 58

FIG. 1 is a front perspective view of lamp showing our new design;

FIG. 2 is another front perspective view thereof;

FIG. 3 is a front elevational view thereof;

FIG. 4 is a rear elevational view thereof;

FIG. 5 is a left side elevational view thereof;

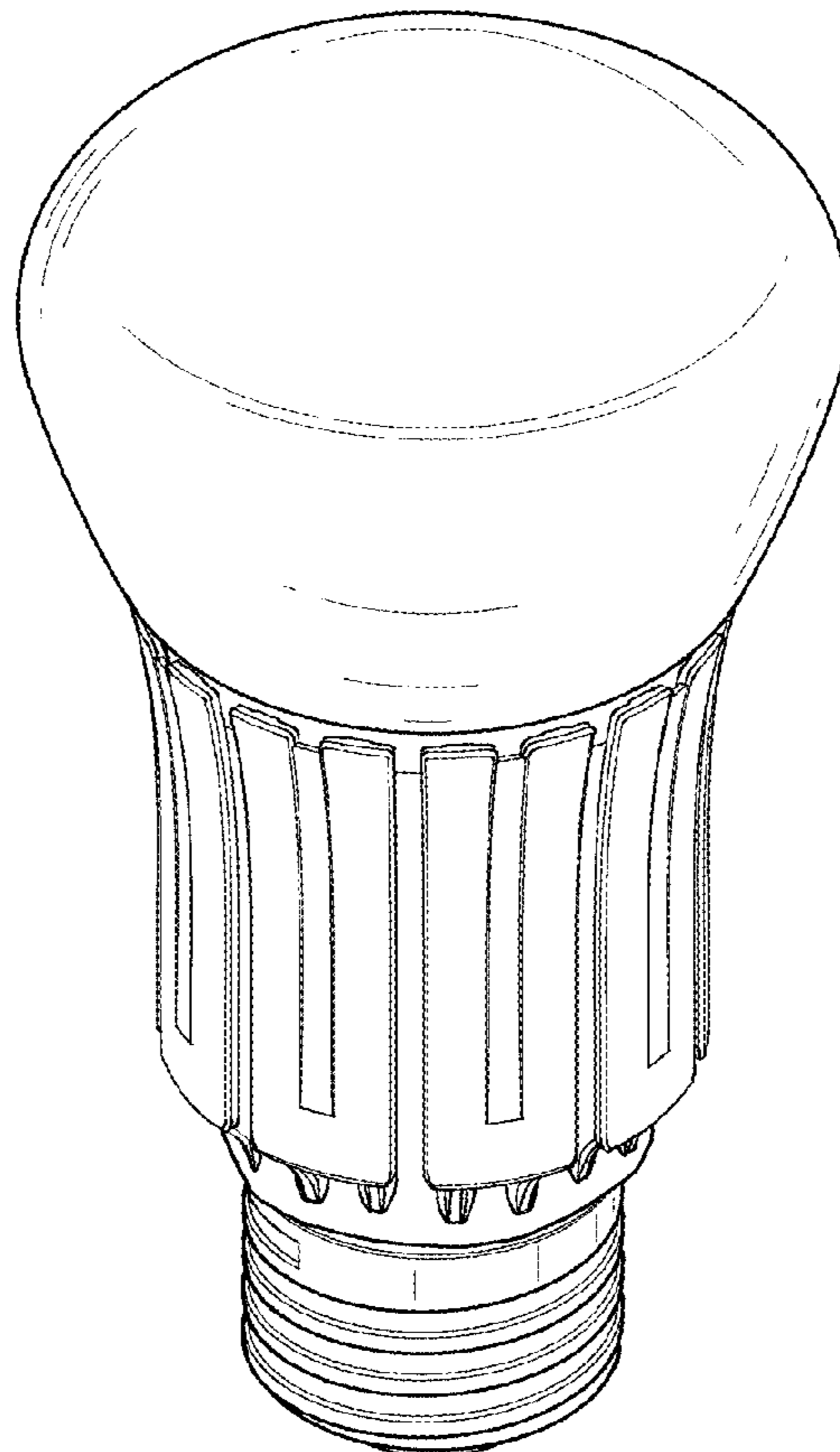
FIG. 6 is a right side elevational view thereof;

FIG. 7 is a top plan view thereof; and,

FIG. 8 is a bottom plan view thereof.

See application file for complete search history.

**1 Claim, 8 Drawing Sheets**



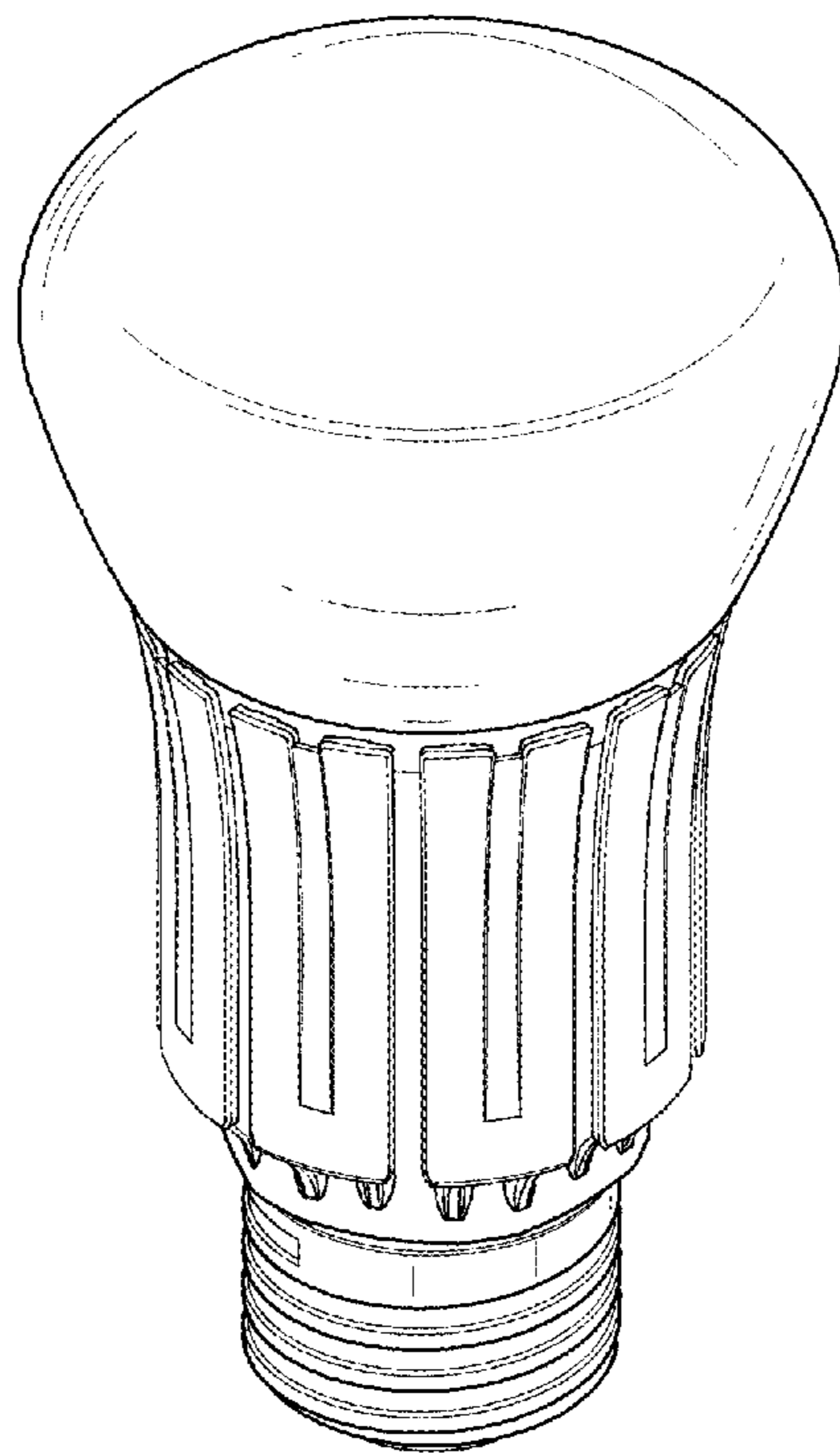


FIG.1

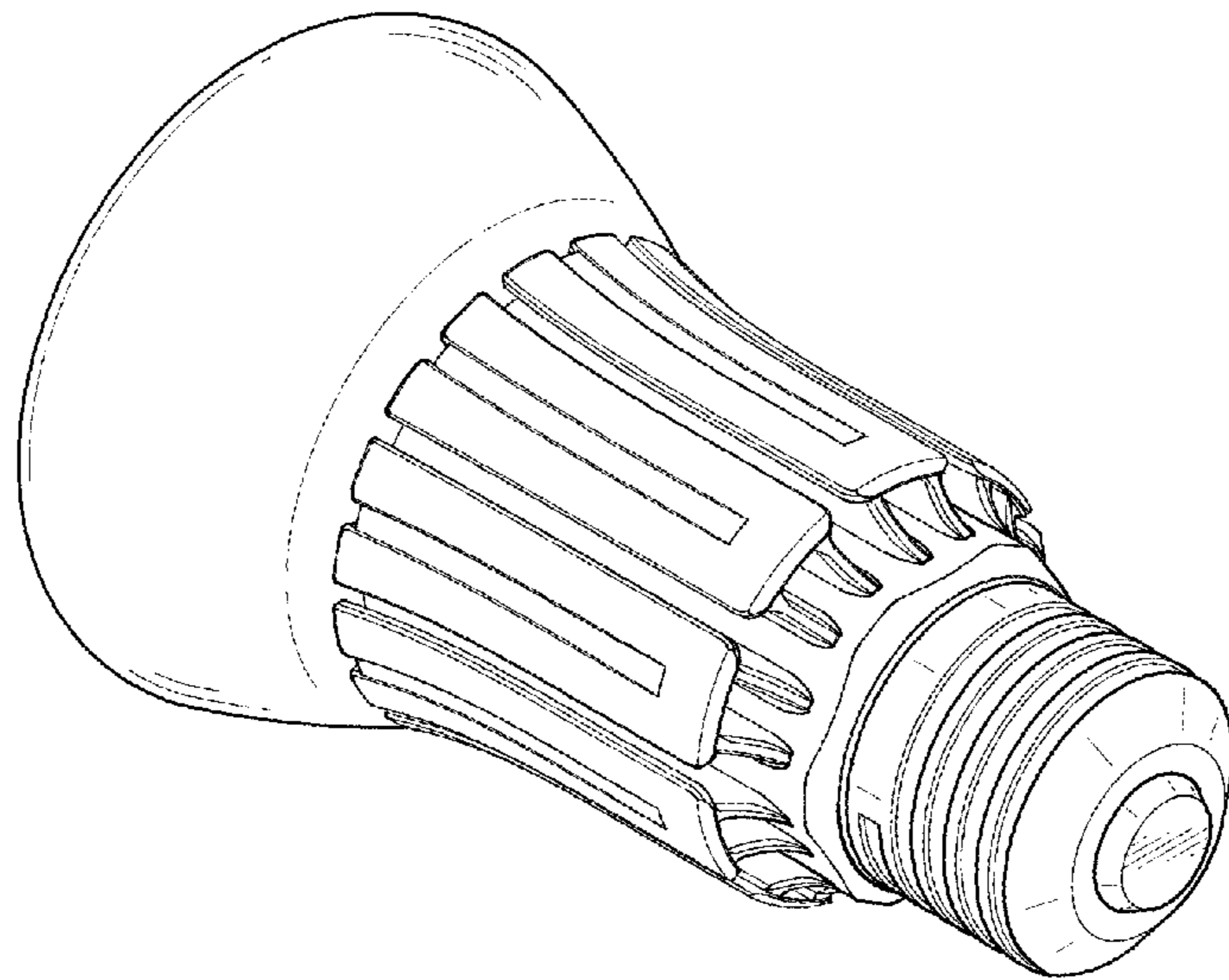


FIG.2

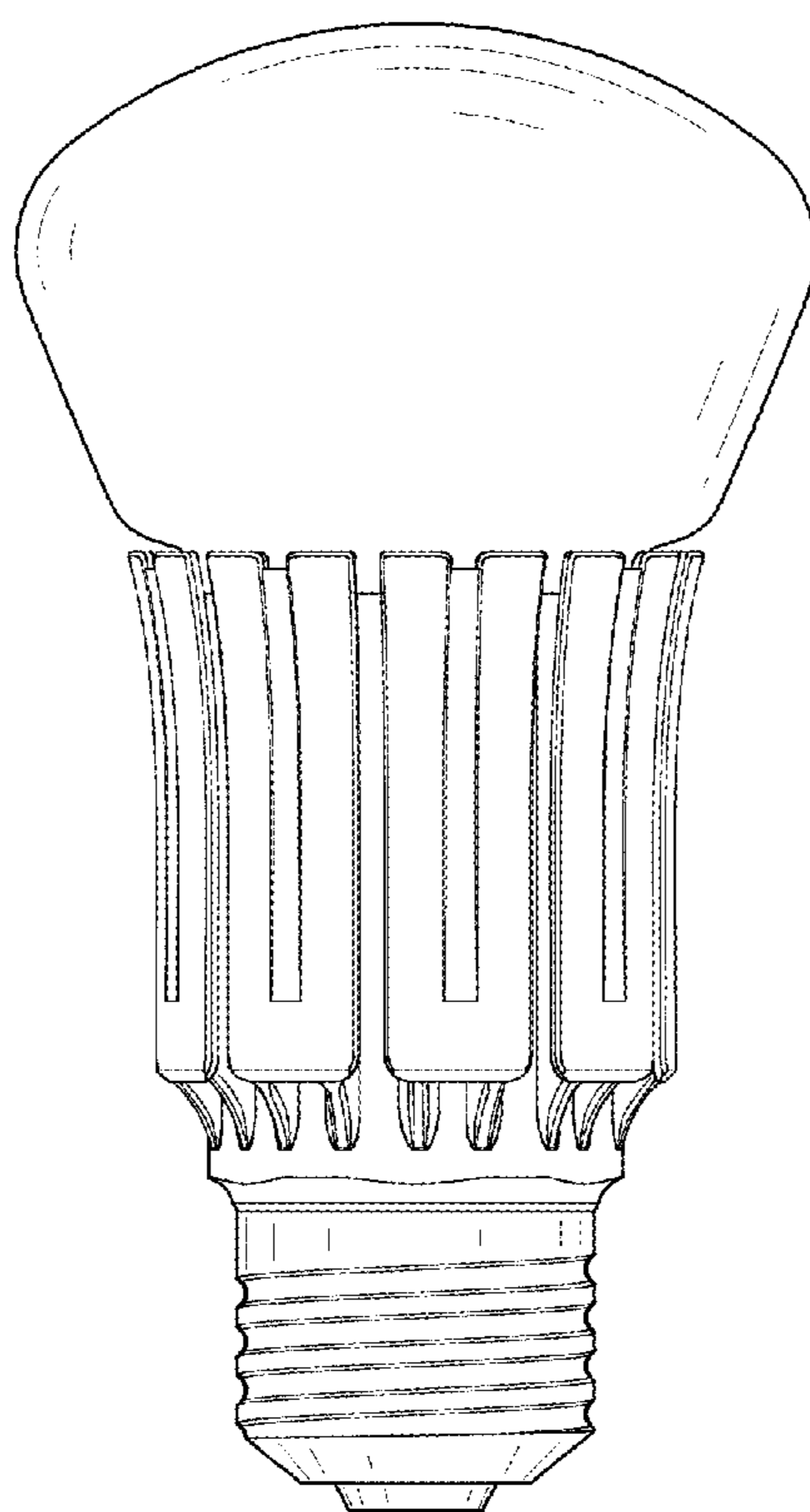


FIG.3

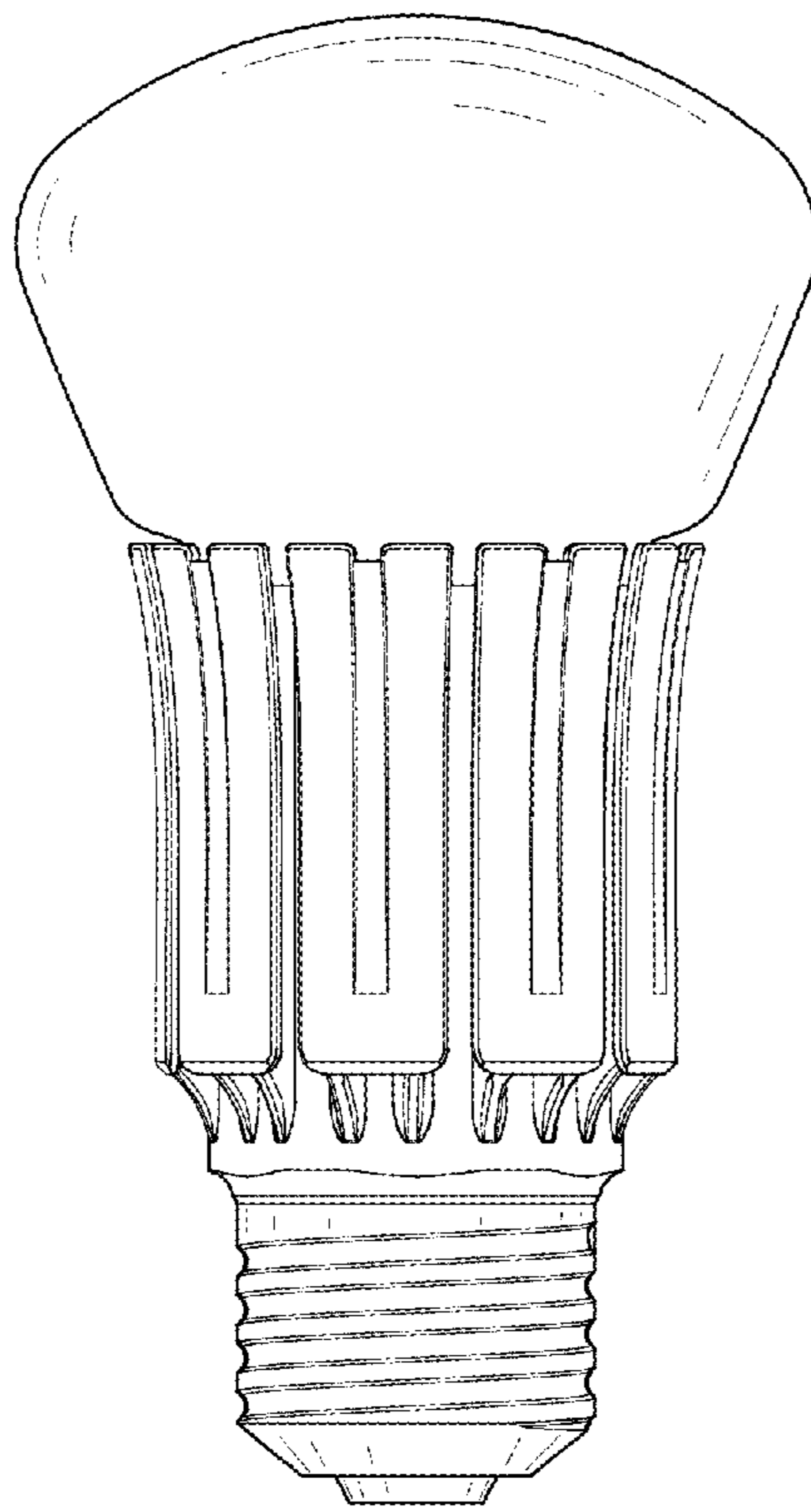


FIG. 4

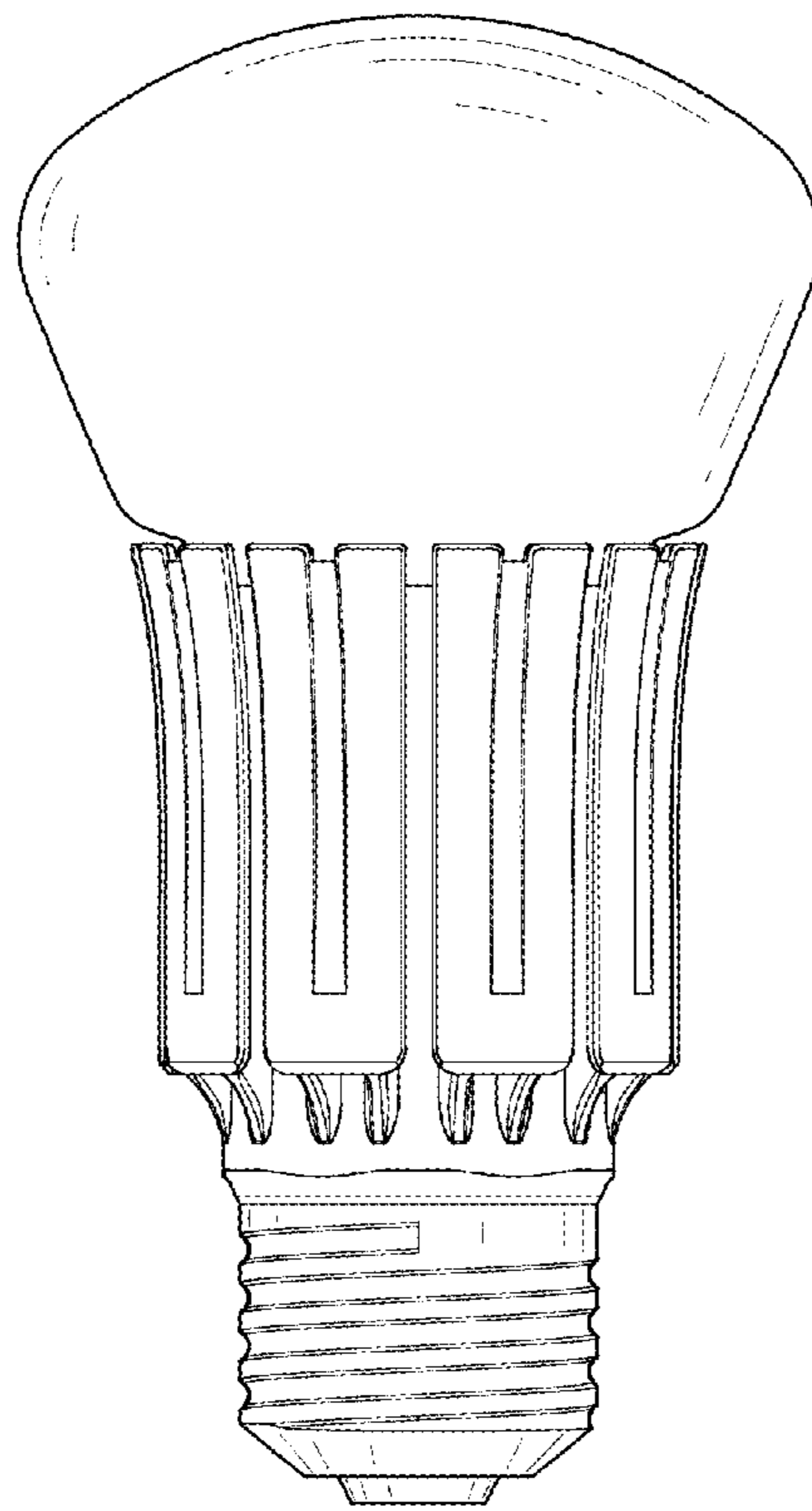


FIG.5

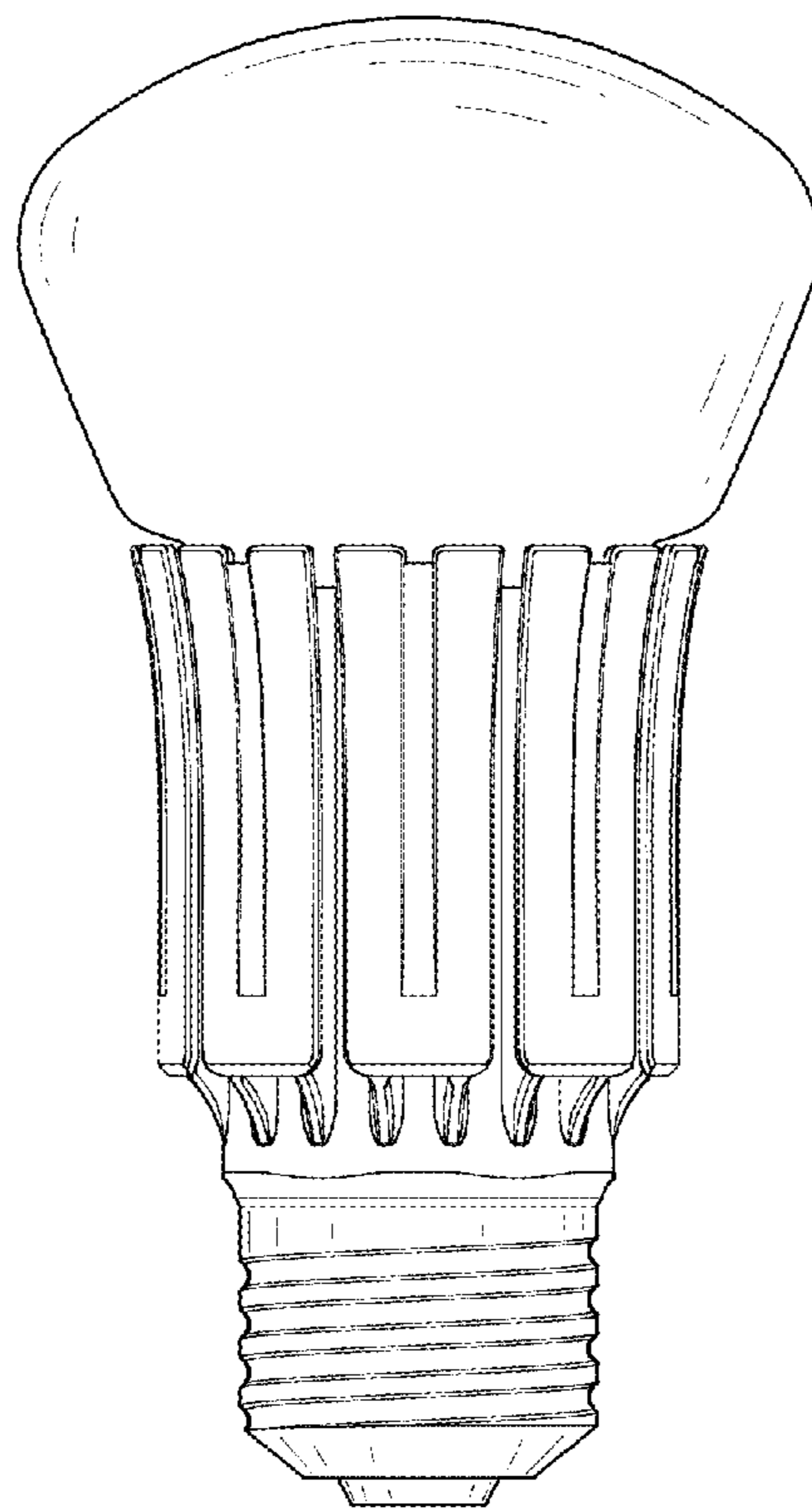


FIG.6

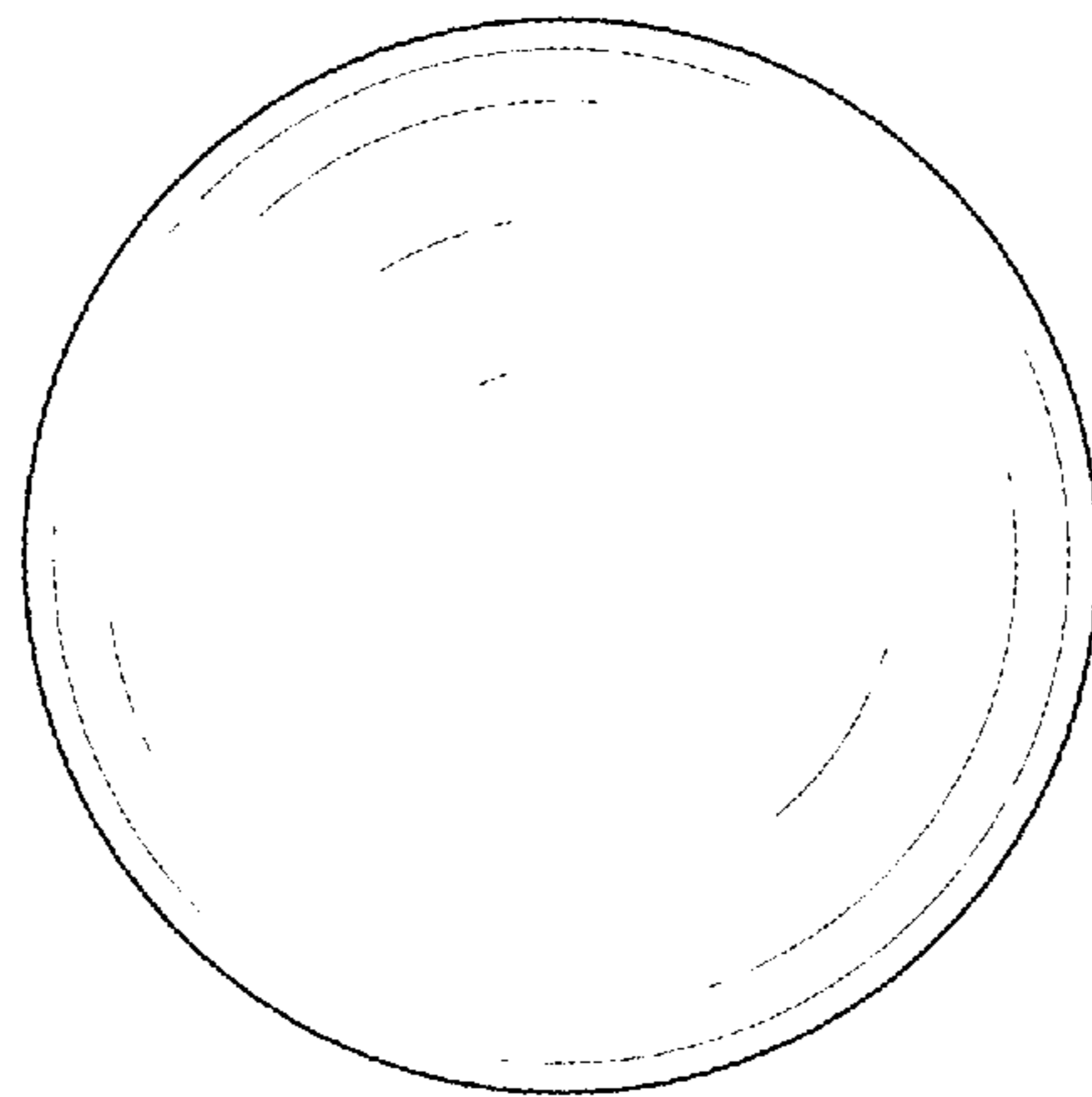


FIG.7



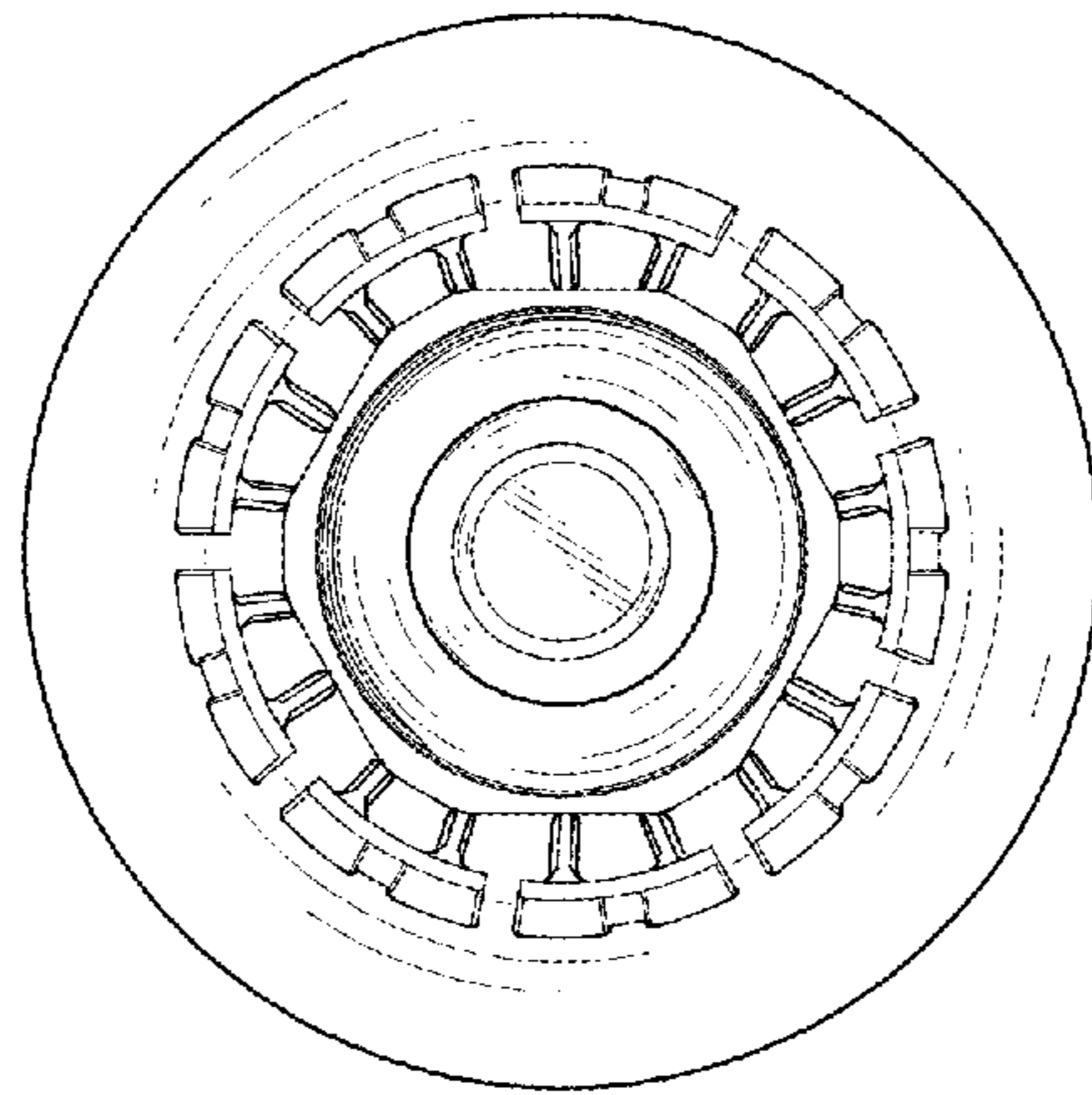


FIG. 8