



US00D671236S

(12) **United States Design Patent**
Yamamoto et al.

(10) **Patent No.:** **US D671,236 S**

(45) **Date of Patent:** **** Nov. 20, 2012**

(54) **LIGHT EMITTING DIODE LAMP**

D600,368 S * 9/2009 Bertram et al. D26/2
D610,272 S * 2/2010 Guo et al. D26/2
D646,808 S * 10/2011 Shi D26/2

(75) Inventors: **Junichiro Yamamoto**, Kanagawa (JP);
Shigeru Motoki, Tokyo (JP)

FOREIGN PATENT DOCUMENTS

(73) Assignee: **Toshiba Lighting & Technology Corporation**, Kanagawa (JP)

JP D578530 6/1982
JP D1030431 1/1999
JP D1239436 5/2005
JP D1383512 3/2010
JP D1383513 3/2010
JP D1426353 10/2011

(**) Term: **14 Years**

* cited by examiner

(21) Appl. No.: **29/415,196**

(22) Filed: **Mar. 8, 2012**

Primary Examiner — Marcus Jackson

(74) *Attorney, Agent, or Firm* — J.C. Patents

(30) **Foreign Application Priority Data**

(57) **CLAIM**

Sep. 28, 2011 (JP) 2011-022115

The ornamental design for a light emitting diode lamp, as shown and described.

(51) **LOC (9) Cl.** **26-04**

DESCRIPTION

(52) **U.S. Cl.** **D26/2**

(58) **Field of Classification Search** D26/1-4;
313/313, 315, 316, 317, 318, 493; 315/52,
315/53, 56, 57, 58

FIG. 1 is a perspective view of a light emitting diode lamp showing our new design;
FIG. 2 is a front view thereof;
FIG. 3 is a rear view thereof;
FIG. 4 is a left side view thereof;
FIG. 5 is a right side view thereof;
FIG. 6 is a top view thereof; and,
FIG. 7 is a bottom view thereof.

See application file for complete search history.

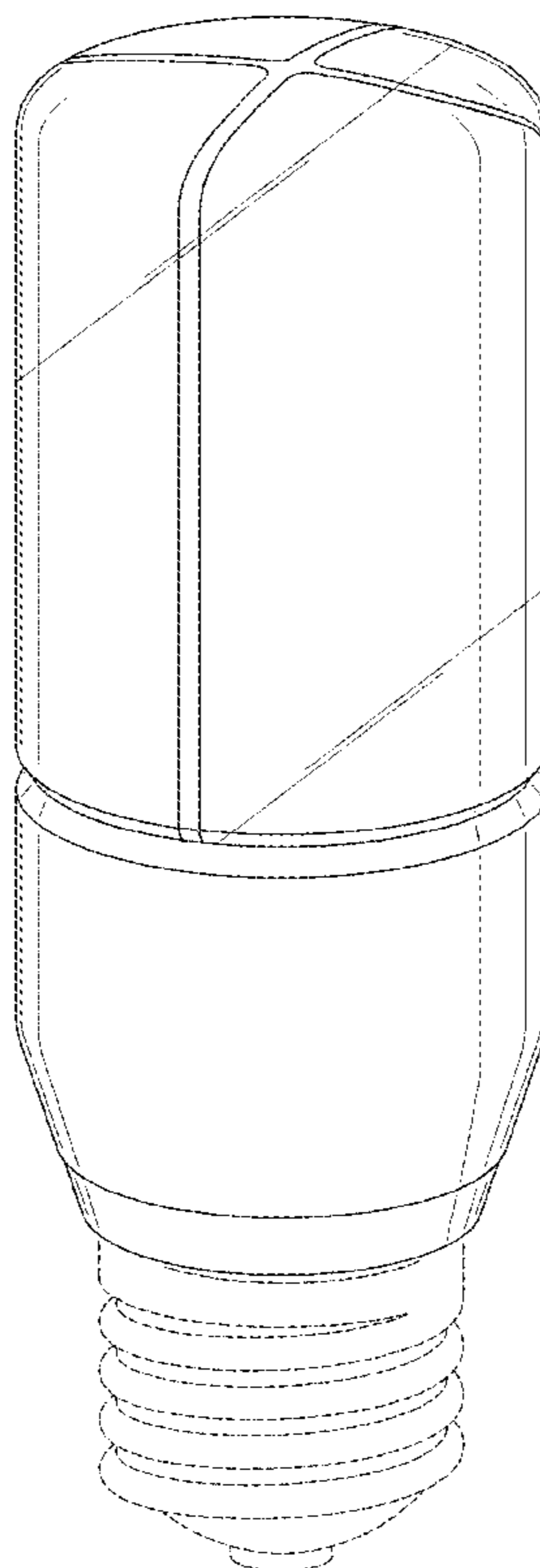
The portions shown in broken lines form no part of the claimed design.

(56) **References Cited**

U.S. PATENT DOCUMENTS

D543,288 S * 5/2007 Bembridge D26/2
D544,109 S * 6/2007 Tsuruha et al. D26/2
D558,904 S * 1/2008 Tsuruha et al. D26/2
D579,130 S * 10/2008 Hernandez et al. D26/2

1 Claim, 7 Drawing Sheets



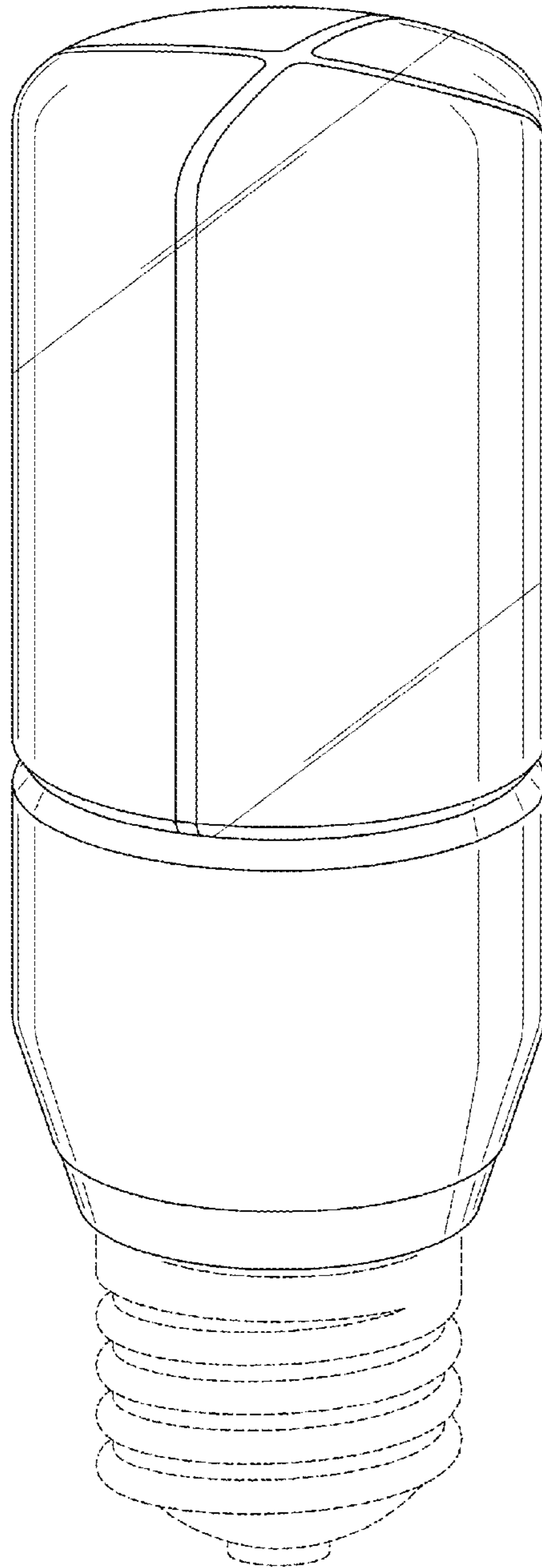


FIG. 1

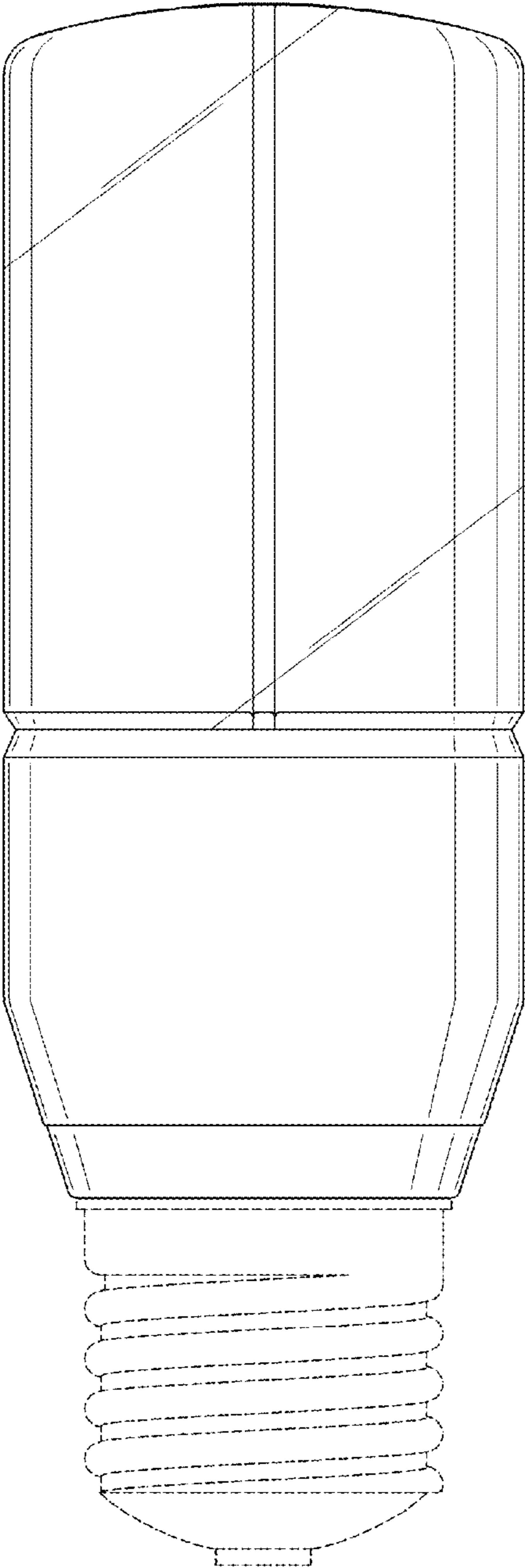


FIG. 2

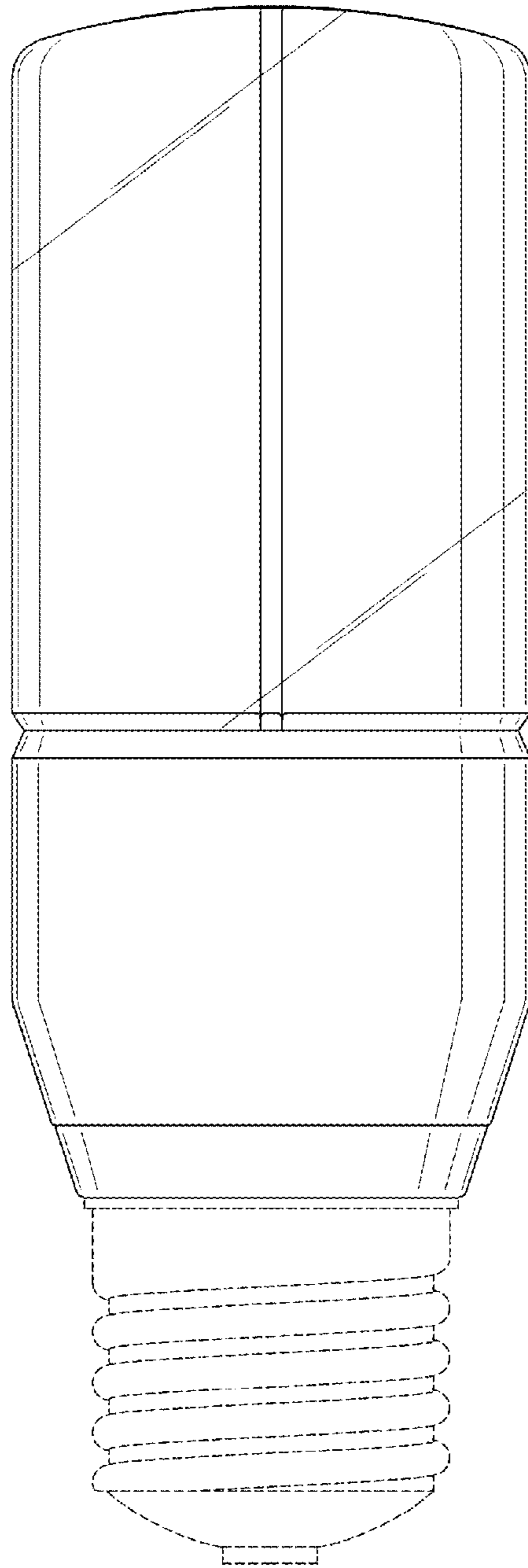


FIG. 3

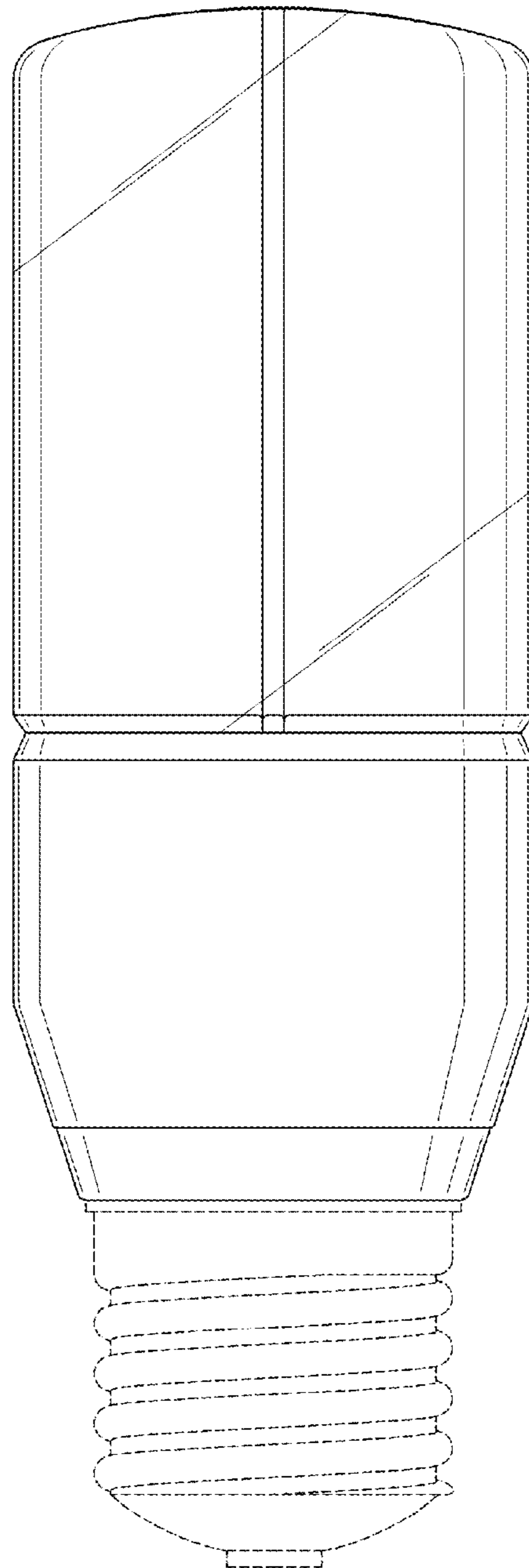


FIG. 4

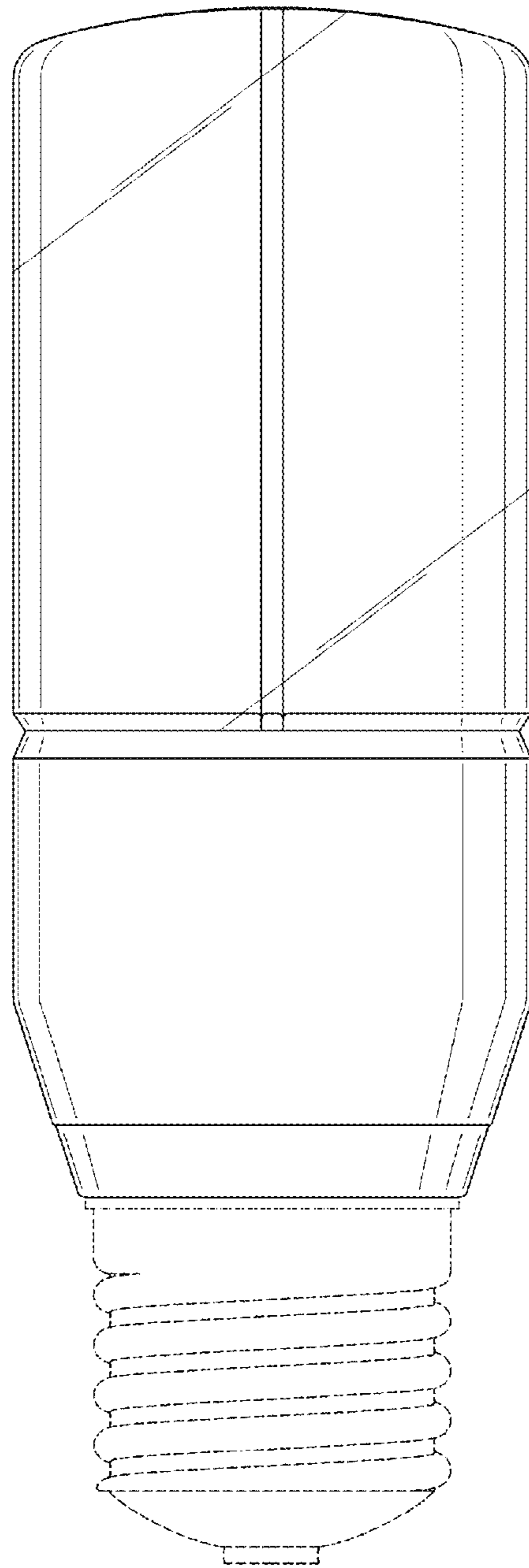


FIG. 5

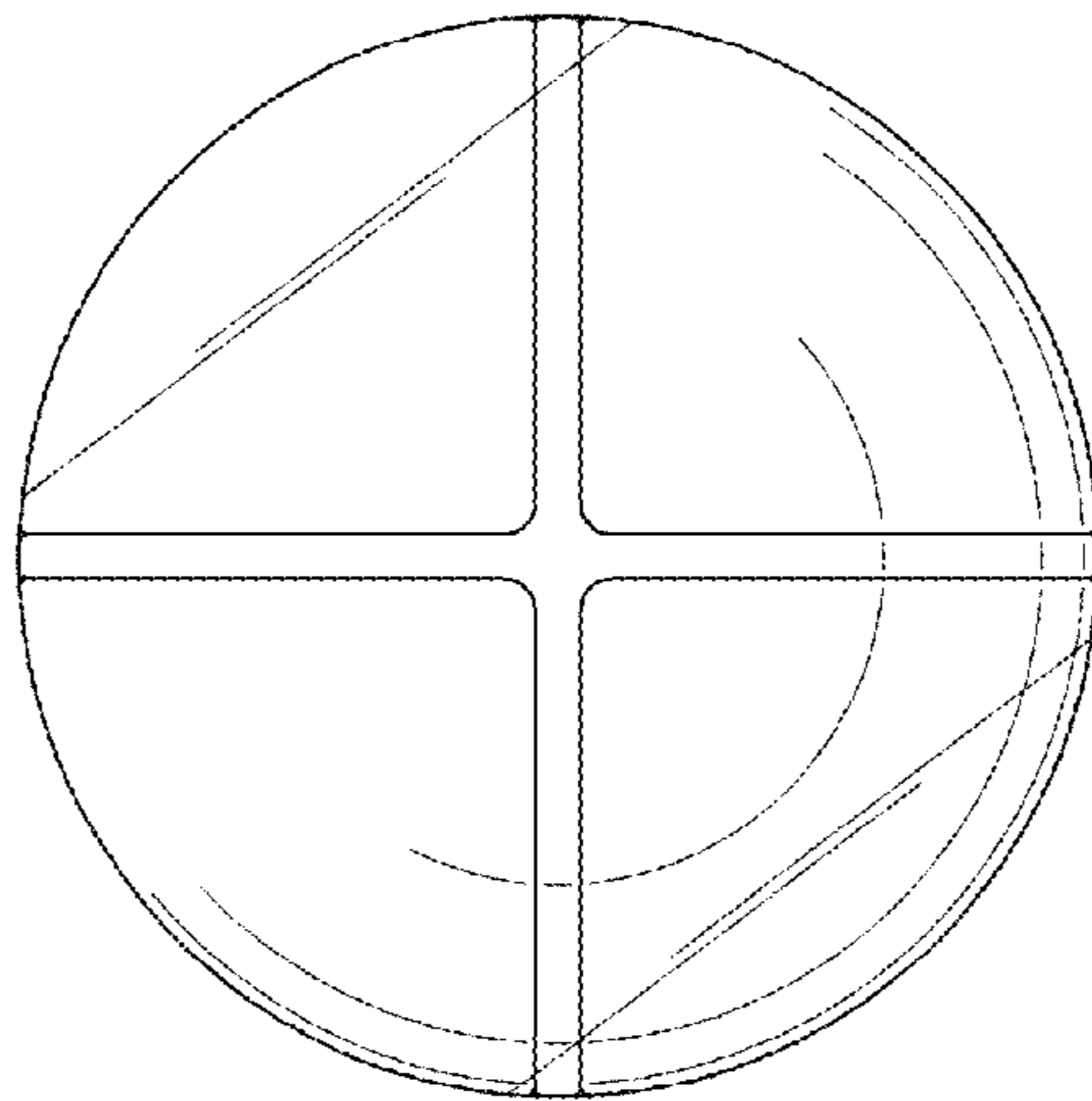


FIG. 6

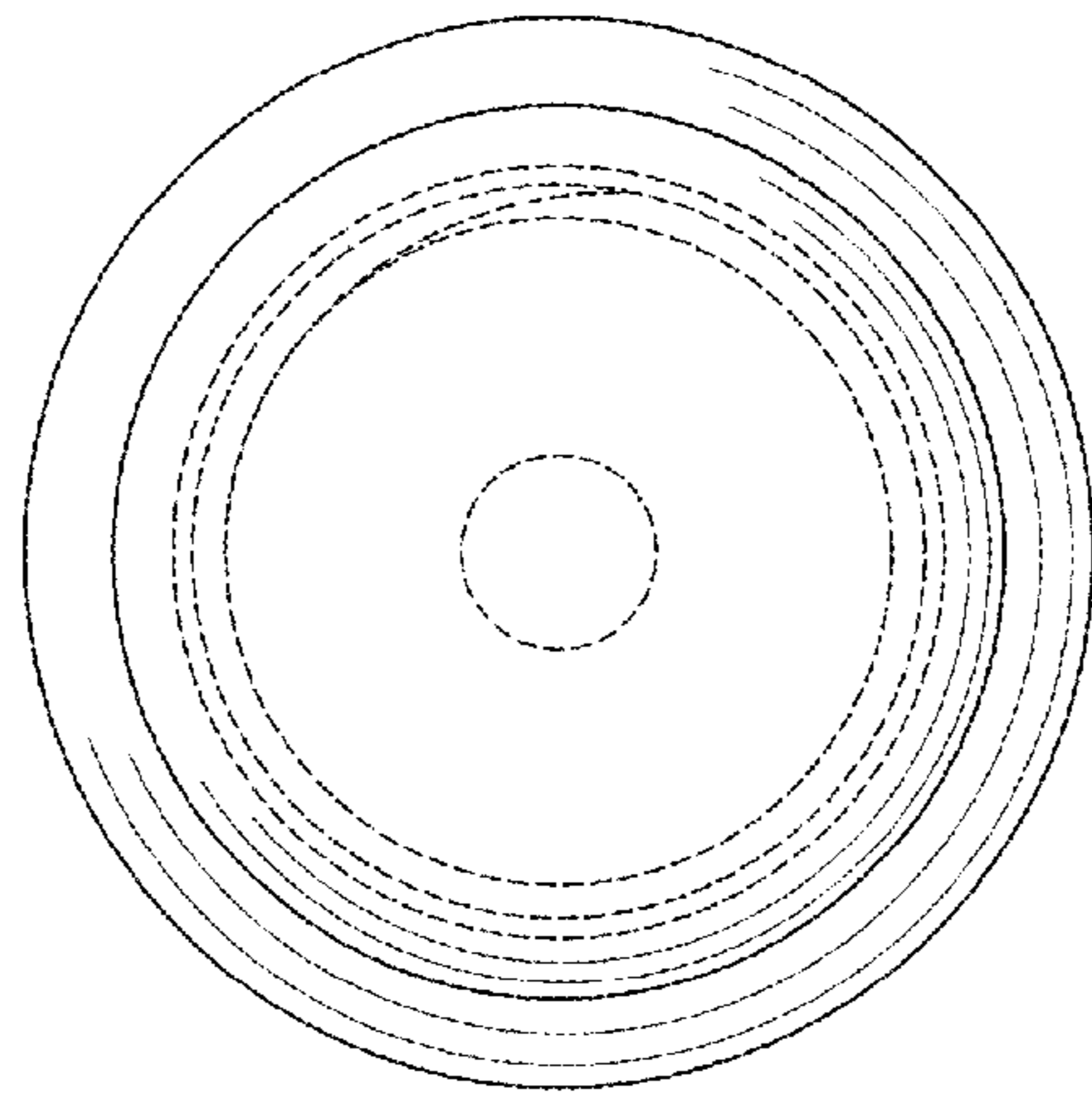


FIG. 7