



US00D671234S

(12) **United States Design Patent**  
**Yamamoto et al.**

(10) **Patent No.:** **US D671,234 S**

(45) **Date of Patent:** **\*\* Nov. 20, 2012**

(54) **LIGHT EMITTING DIODE LAMP**

D600,368 S \* 9/2009 Bertram et al. .... D26/2  
D610,272 S \* 2/2010 Guo et al. .... D26/2  
D646,808 S \* 10/2011 Shi ..... D26/2

(75) Inventors: **Junichiro Yamamoto**, Kanagawa (JP);  
**Shigeru Motoki**, Tokyo (JP)

**FOREIGN PATENT DOCUMENTS**

(73) Assignee: **Toshiba Lighting & Technology Corporation**, Kanagawa (JP)

JP D578530 6/1982  
JP D1030431 1/1999  
JP D1239436 5/2005  
JP D1383512 3/2010  
JP D1383513 3/2010  
JP D1426353 10/2011

(\*\*) Term: **14 Years**

\* cited by examiner

(21) Appl. No.: **29/415,183**

(22) Filed: **Mar. 8, 2012**

*Primary Examiner* — Marcus Jackson

(74) *Attorney, Agent, or Firm* — J.C. Patents

(30) **Foreign Application Priority Data**

(57) **CLAIM**

Sep. 28, 2011 (JP) ..... 2011-022111

The ornamental design for a light emitting diode lamp, as shown and described.

(51) **LOC (9) Cl.** ..... **26-04**

**DESCRIPTION**

(52) **U.S. Cl.** ..... **D26/2**

(58) **Field of Classification Search** ..... D26/1-4;  
313/313, 315, 316, 317, 318, 493; 315/52,  
315/53, 56, 57, 58

FIG. 1 is a perspective view of a light emitting diode lamp showing our new design;  
FIG. 2 is a front view thereof;  
FIG. 3 is a rear view thereof;  
FIG. 4 is a left side view thereof;  
FIG. 5 is a right side view thereof;  
FIG. 6 is a top view thereof; and,  
FIG. 7 is a bottom view thereof.

See application file for complete search history.

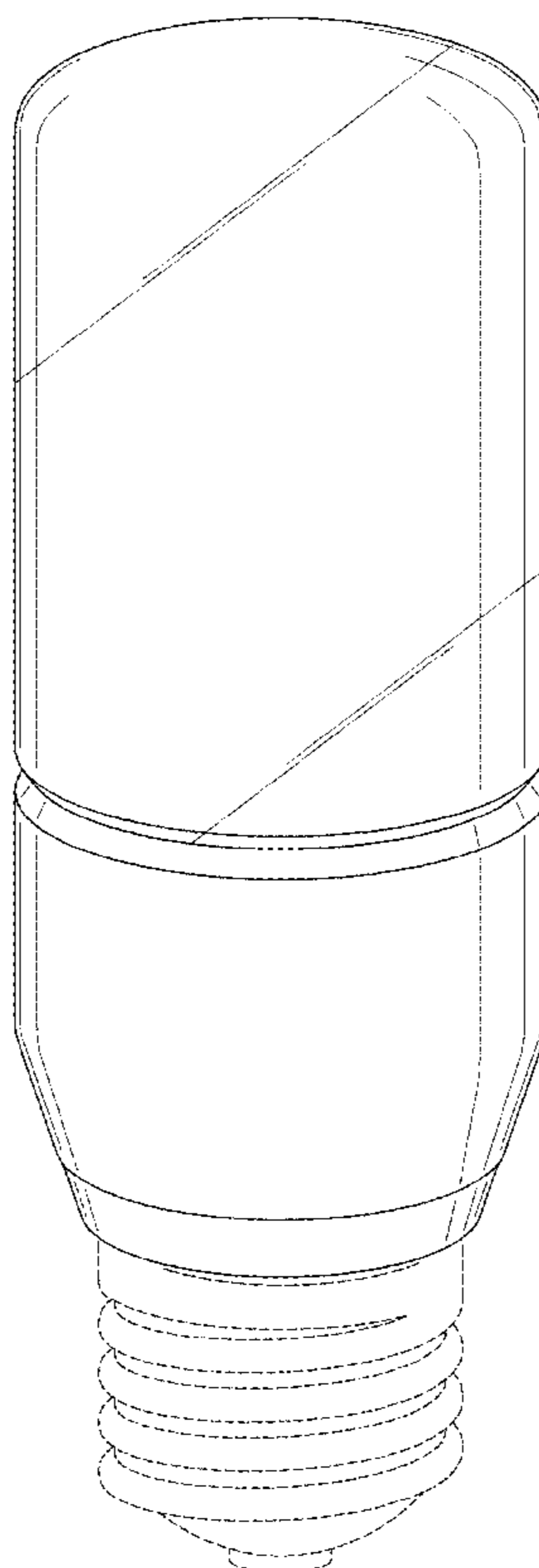
The portions shown in broken lines form no part of the claimed design.

(56) **References Cited**

**U.S. PATENT DOCUMENTS**

D543,288 S \* 5/2007 Bembridge ..... D26/2  
D544,109 S \* 6/2007 Tsuruha et al. .... D26/2  
D558,904 S \* 1/2008 Tsuruha et al. .... D26/2  
D579,130 S \* 10/2008 Hernandez et al. .... D26/2

**1 Claim, 7 Drawing Sheets**



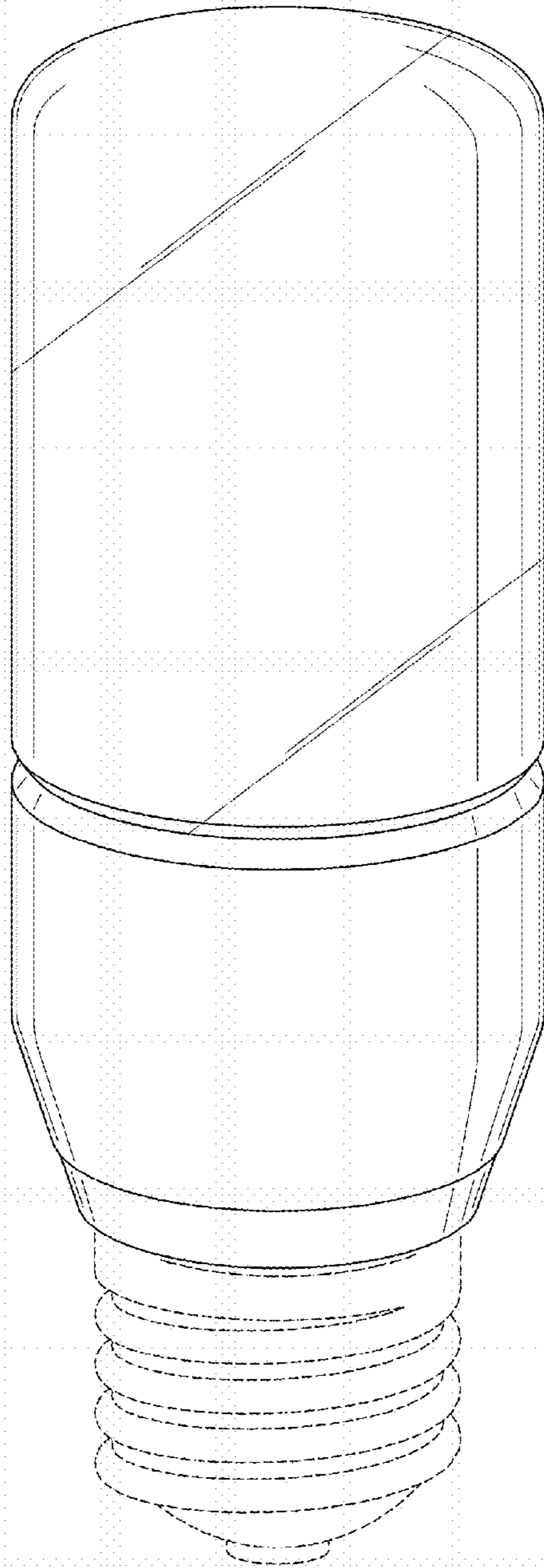


FIG. 1

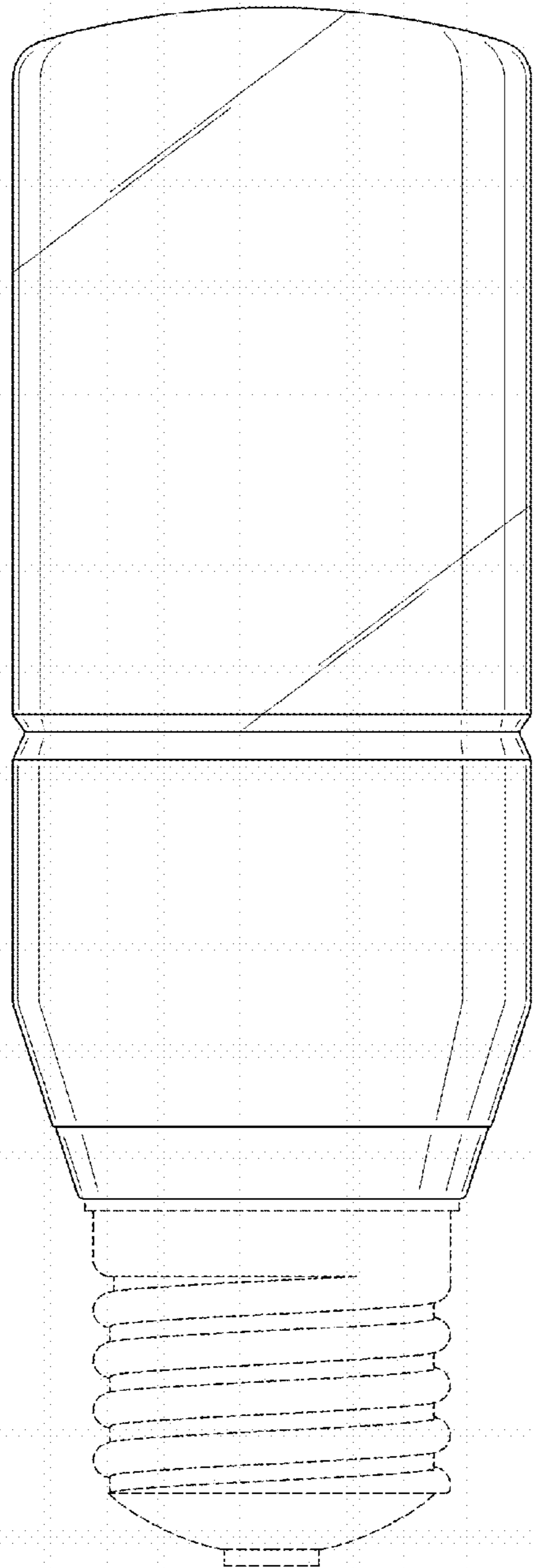


FIG. 2

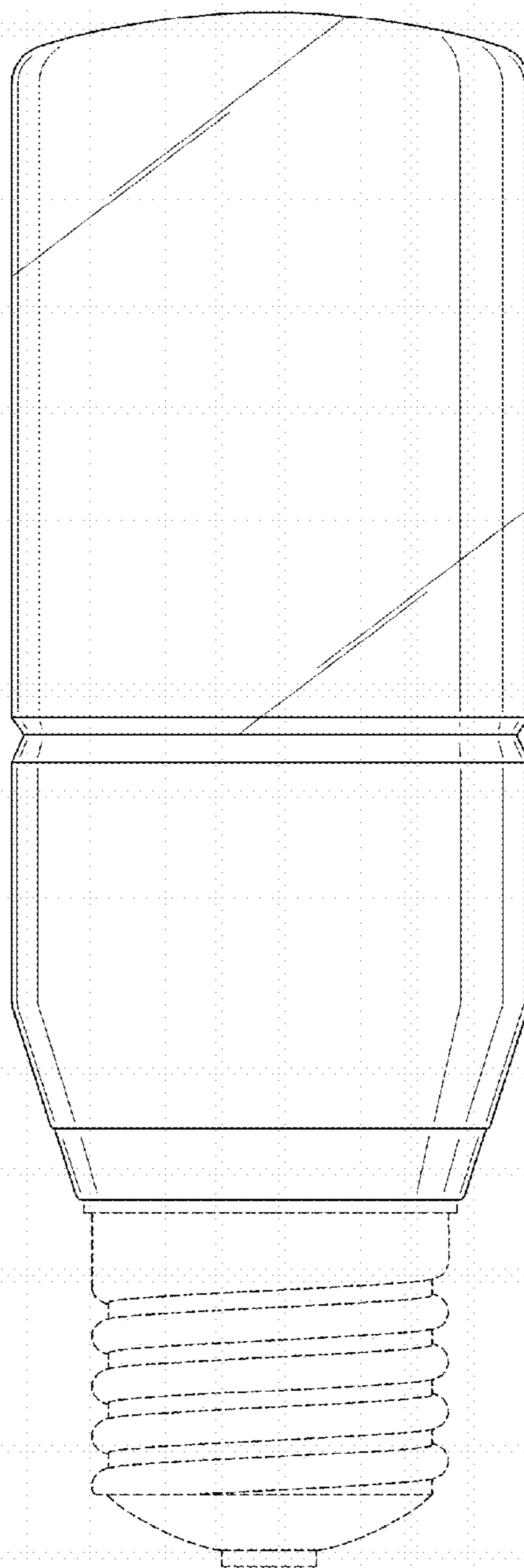


FIG. 3

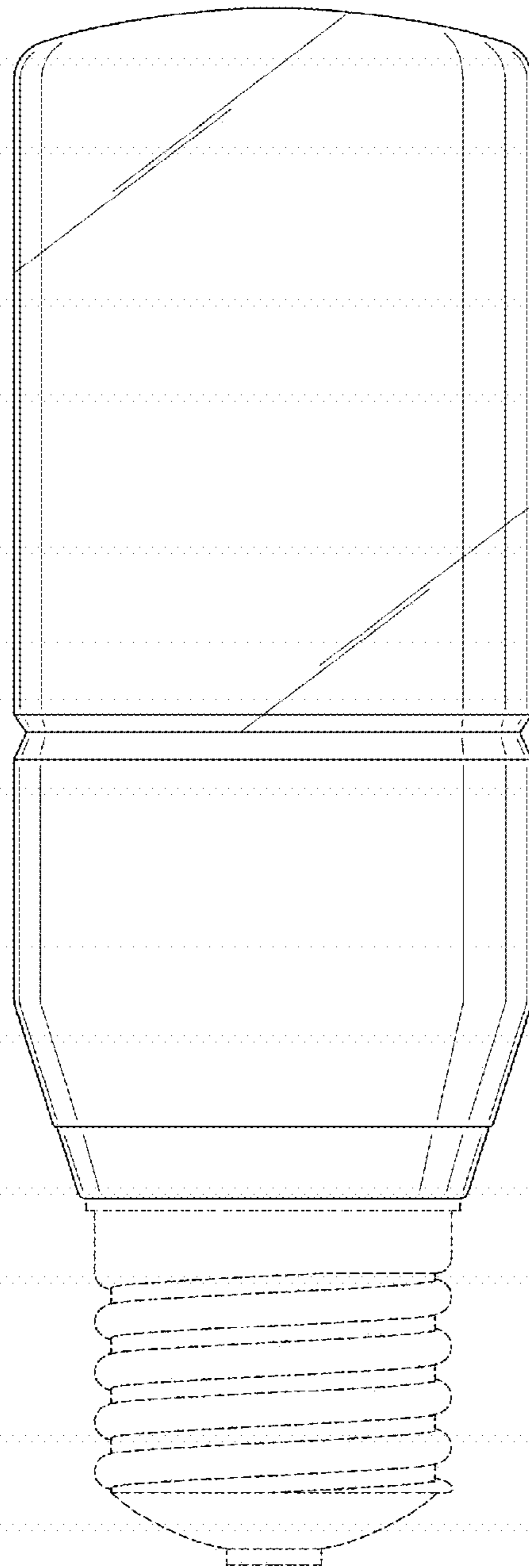


FIG. 4

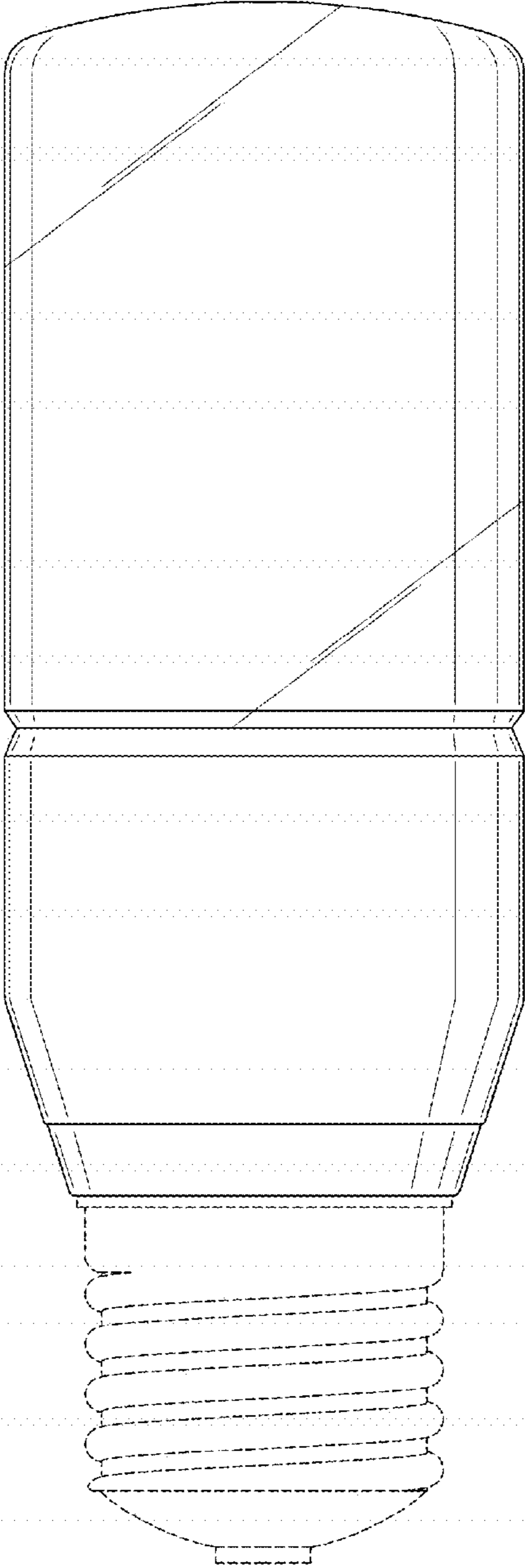


FIG. 5

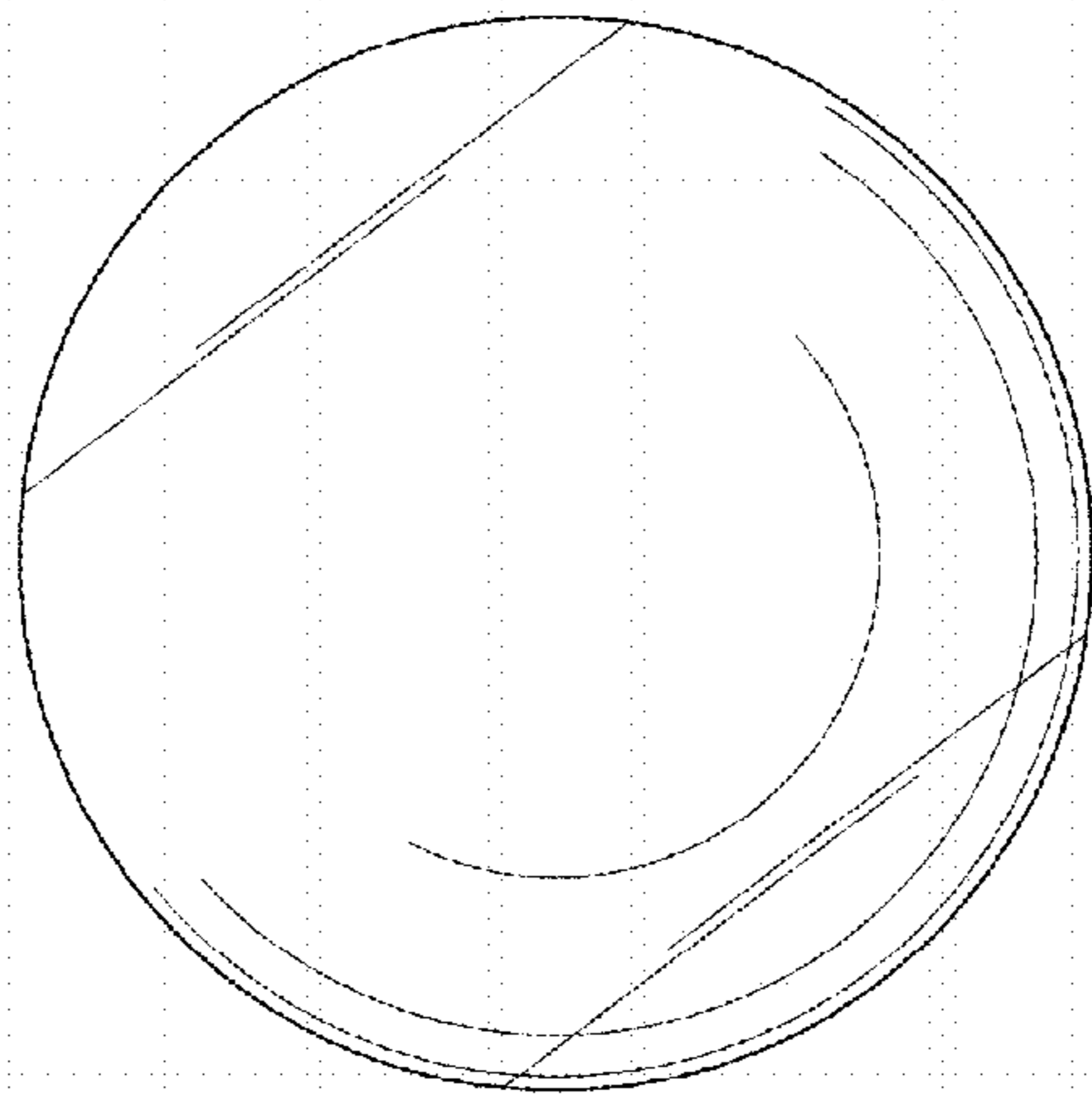


FIG. 6

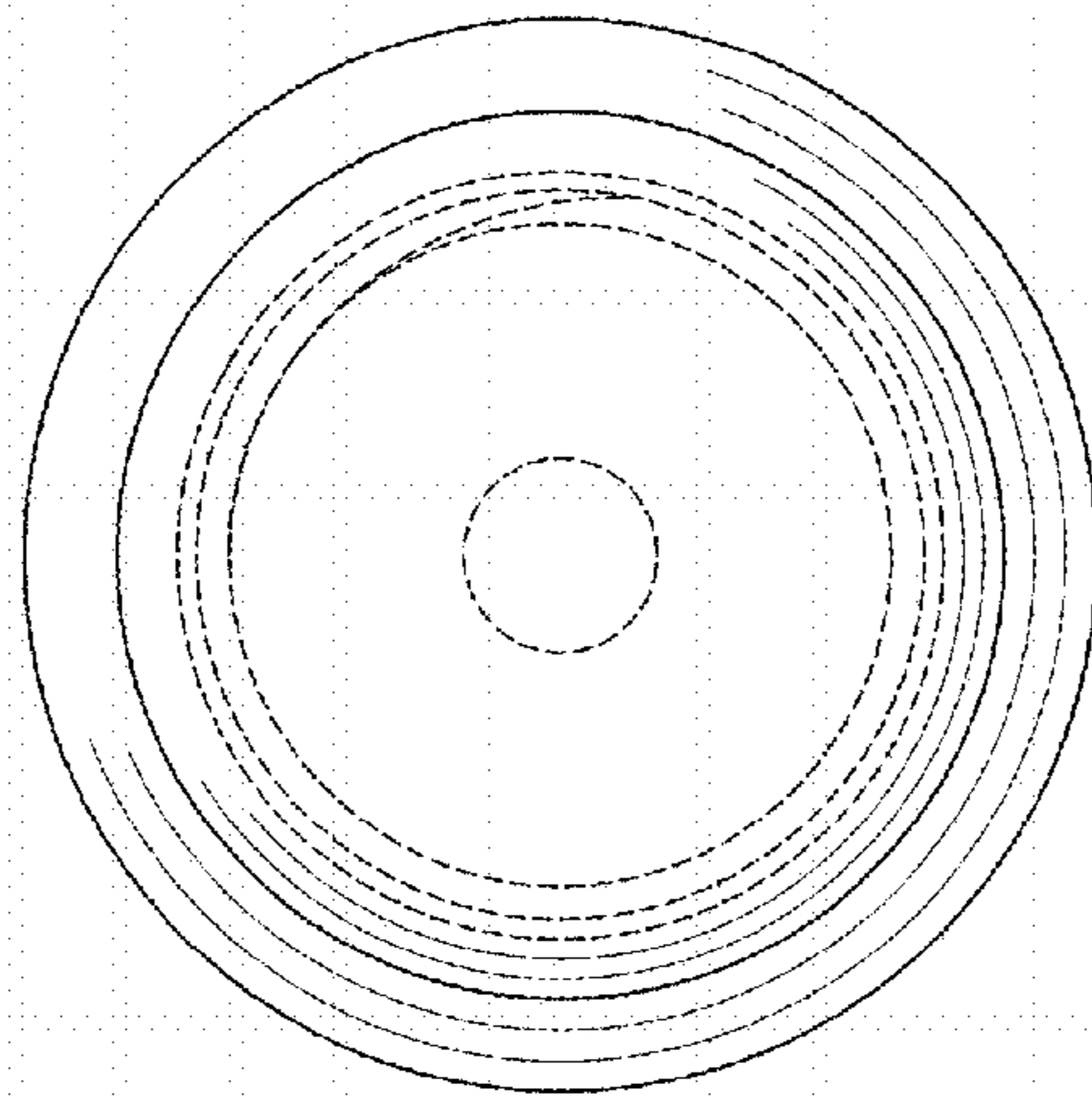


FIG. 7