



US00D671233S

(12) **United States Design Patent**
Yoshinobu et al.

(10) **Patent No.:** **US D671,233 S**
(45) **Date of Patent:** **** Nov. 20, 2012**

(54) **LIGHT EMITTING DIODE LAMP**
(75) Inventors: **Masayuki Yoshinobu**, Kanagawa (JP);
Kunihiko Ikada, Kanagawa (JP); **Bin Li**, Hangzhou (CN); **Hong Guo Da**,
Hangzhou (CN)

D592,766 S *	5/2009	Zhu et al.	D26/2
D601,275 S *	9/2009	Ho et al.	D26/2
D607,587 S *	1/2010	Ko	D26/2
D610,275 S *	2/2010	Cho	D26/2
D612,956 S *	3/2010	Moon	D26/2
D613,433 S *	4/2010	Moon	D26/2
D644,357 S *	8/2011	Hsu et al.	D26/2

(73) Assignee: **Toshiba Lighting & Technology Corporation**, Kanagawa (JP)

FOREIGN PATENT DOCUMENTS

(**) Term: **14 Years**

EM	001210686-0001	5/2010
EM	001210686-0002	5/2010
EM	001210686-0003	5/2010
EM	001870536-0001	6/2011
JP	D1391905	7/2010

(21) Appl. No.: **29/414,161**

* cited by examiner

(22) Filed: **Feb. 24, 2012**

Primary Examiner — Marcus Jackson

(30) **Foreign Application Priority Data**

(74) *Attorney, Agent, or Firm* — J.C. Patents

Sep. 20, 2011 (JP) 2011-021384

(51) **LOC (9) Cl.** **26-04**

(52) **U.S. Cl.** **D26/2**

(58) **Field of Classification Search** D26/1-4;
313/315, 316, 317, 318, 493, 313; 315/52,
315/53, 56, 57, 58

See application file for complete search history.

(56) **References Cited**

U.S. PATENT DOCUMENTS

D545,457 S *	6/2007	Chen	D26/2
D584,428 S *	1/2009	Li et al.	D26/2
D587,384 S *	2/2009	Wei	D26/2

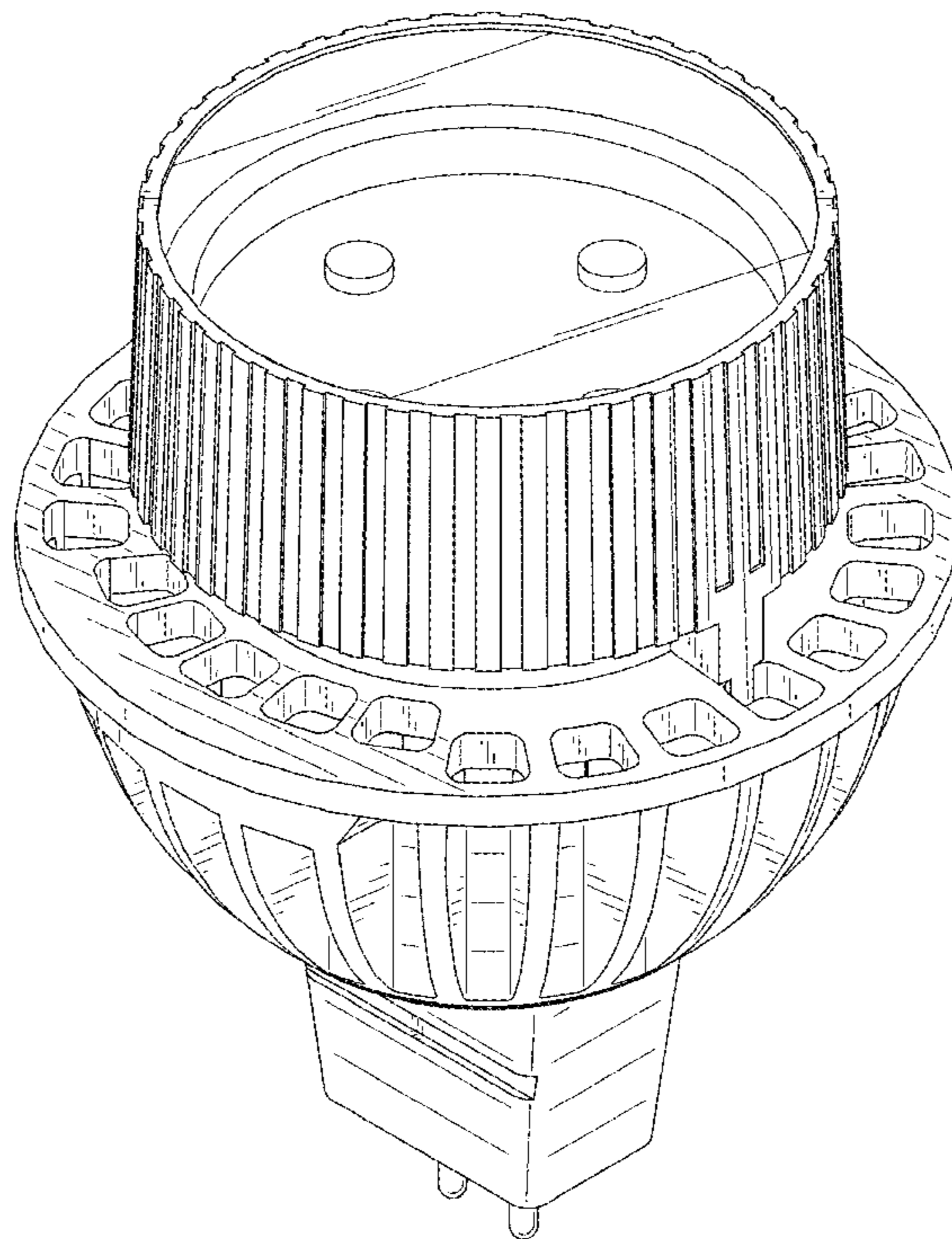
(57) **CLAIM**

The ornamental design for a light emitting diode lamp, as shown and described.

DESCRIPTION

FIG. 1 is a perspective view of a light emitting diode lamp showing our new design;
FIG. 2 is a front view thereof;
FIG. 3 is a rear view thereof;
FIG. 4 is a right side view thereof, the left side view being a mirror image of the right side view;
FIG. 5 is a top view thereof; and,
FIG. 6 is a bottom view thereof.

1 Claim, 6 Drawing Sheets



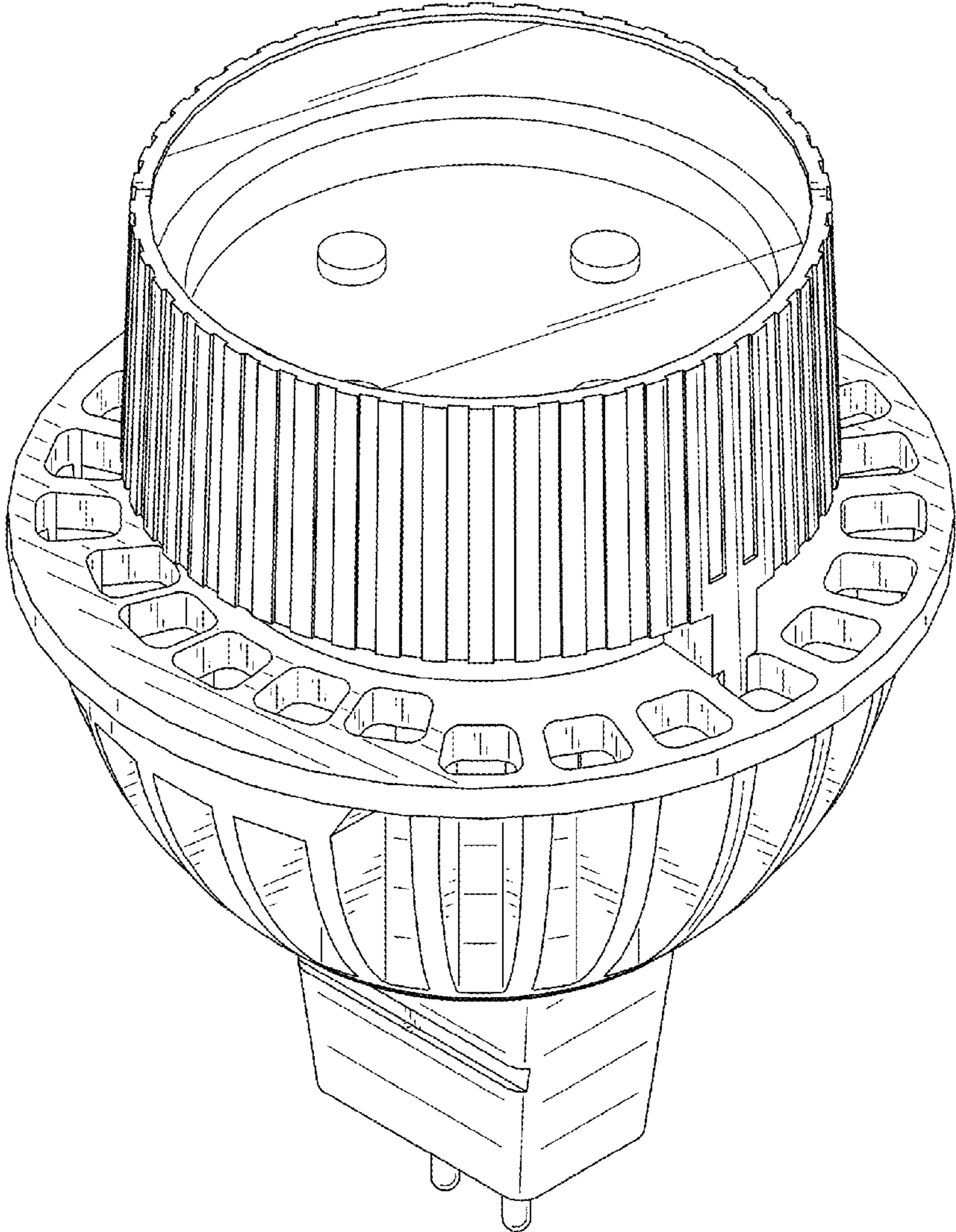


FIG. 1

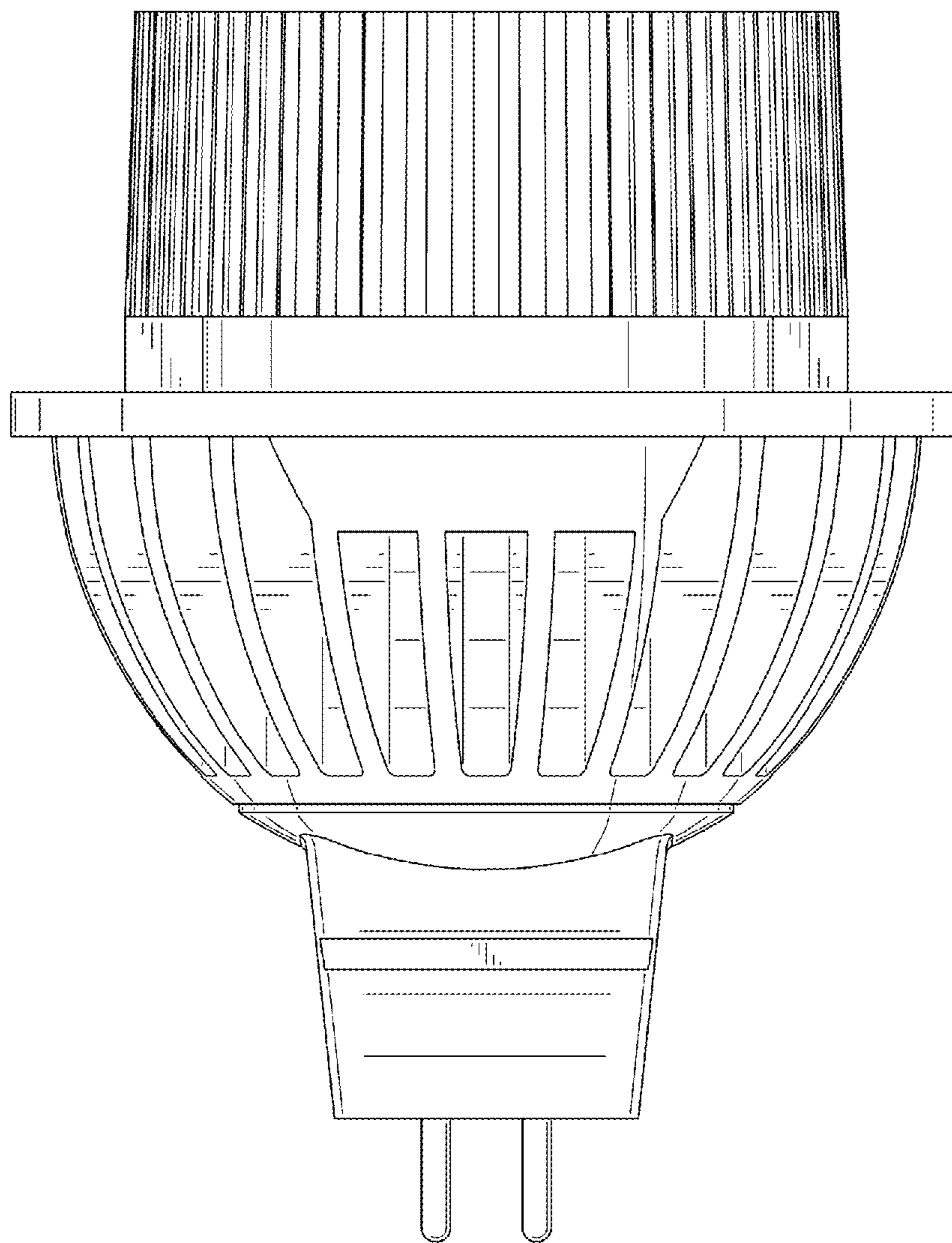


FIG. 2

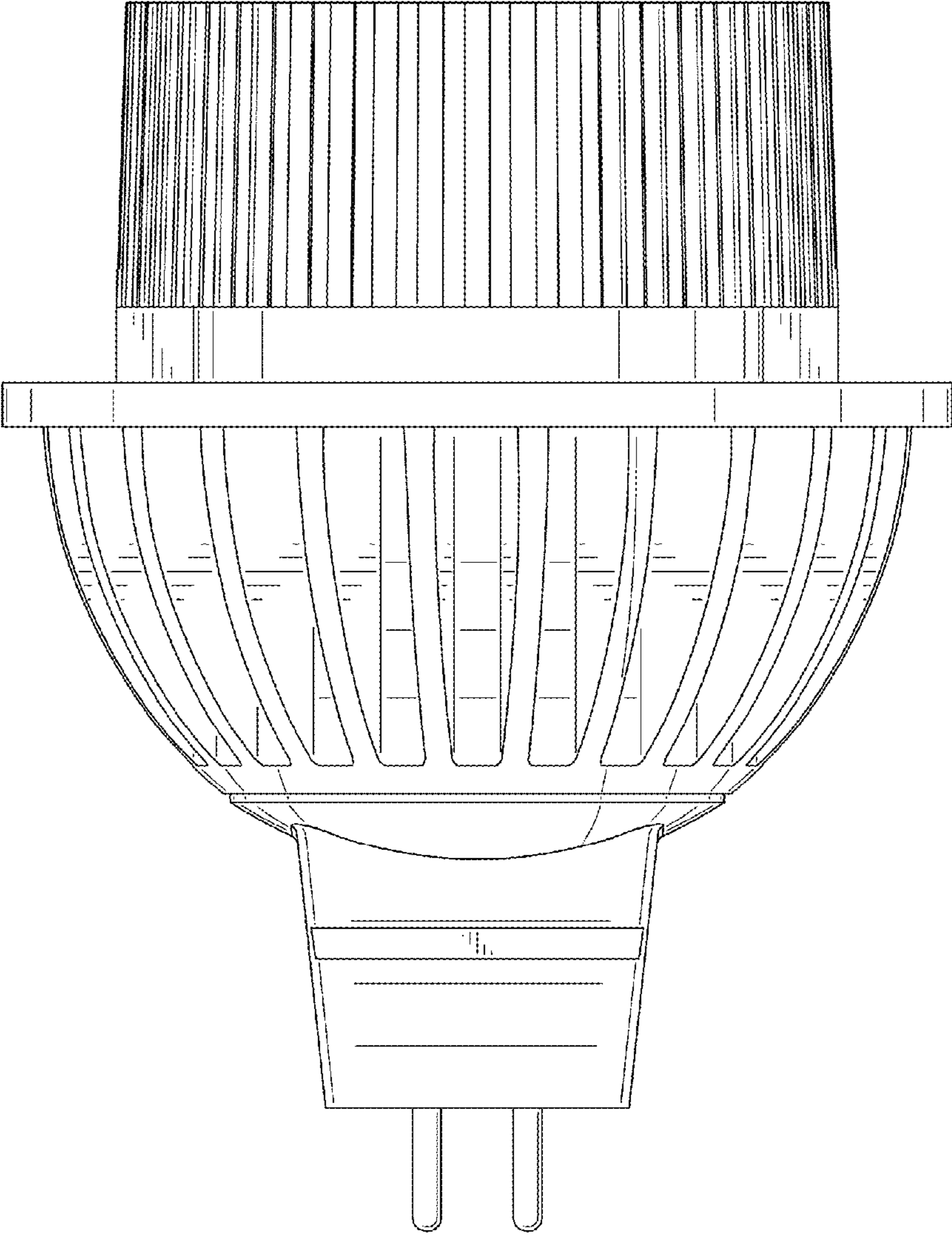


FIG. 3

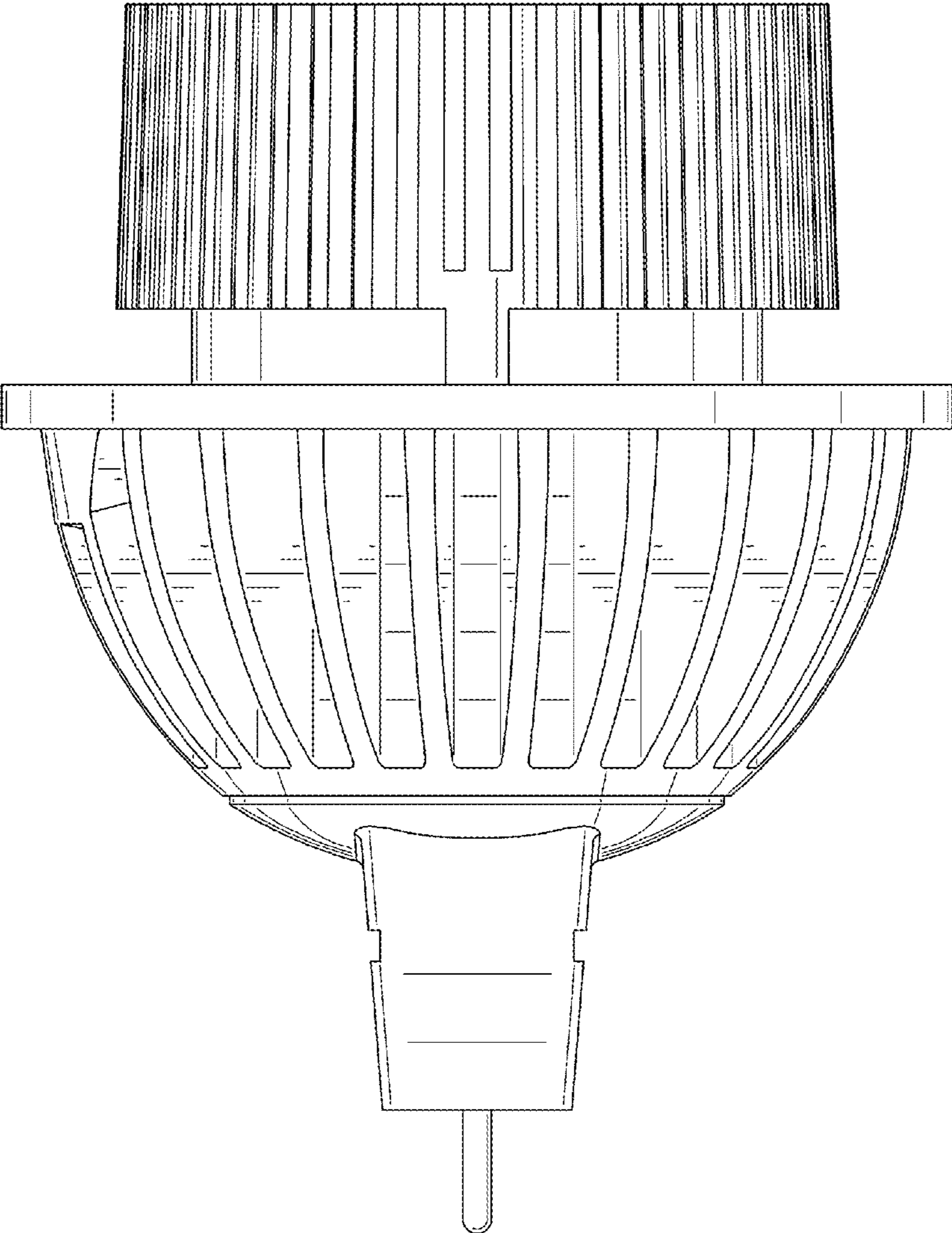


FIG. 4

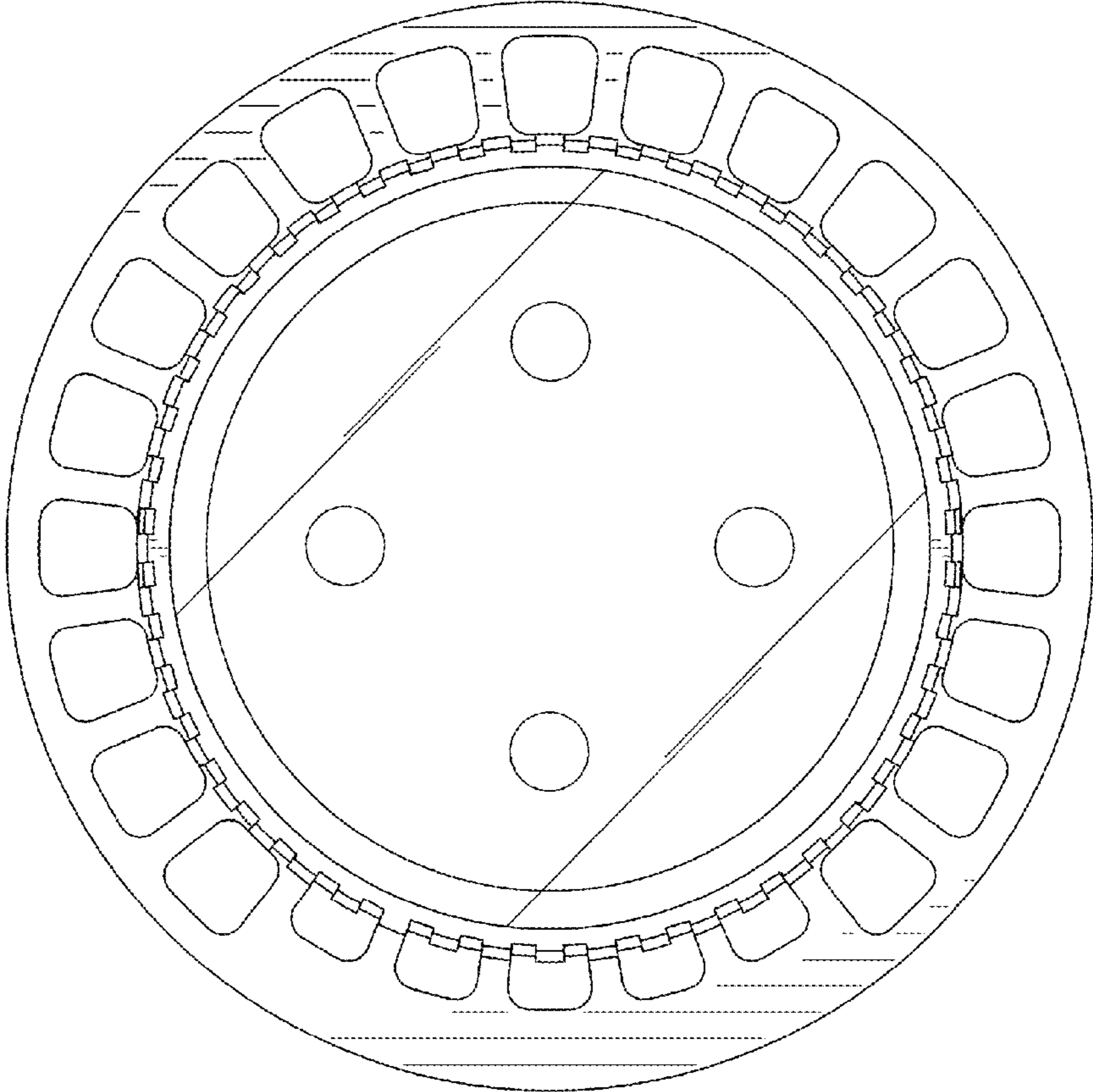


FIG. 5

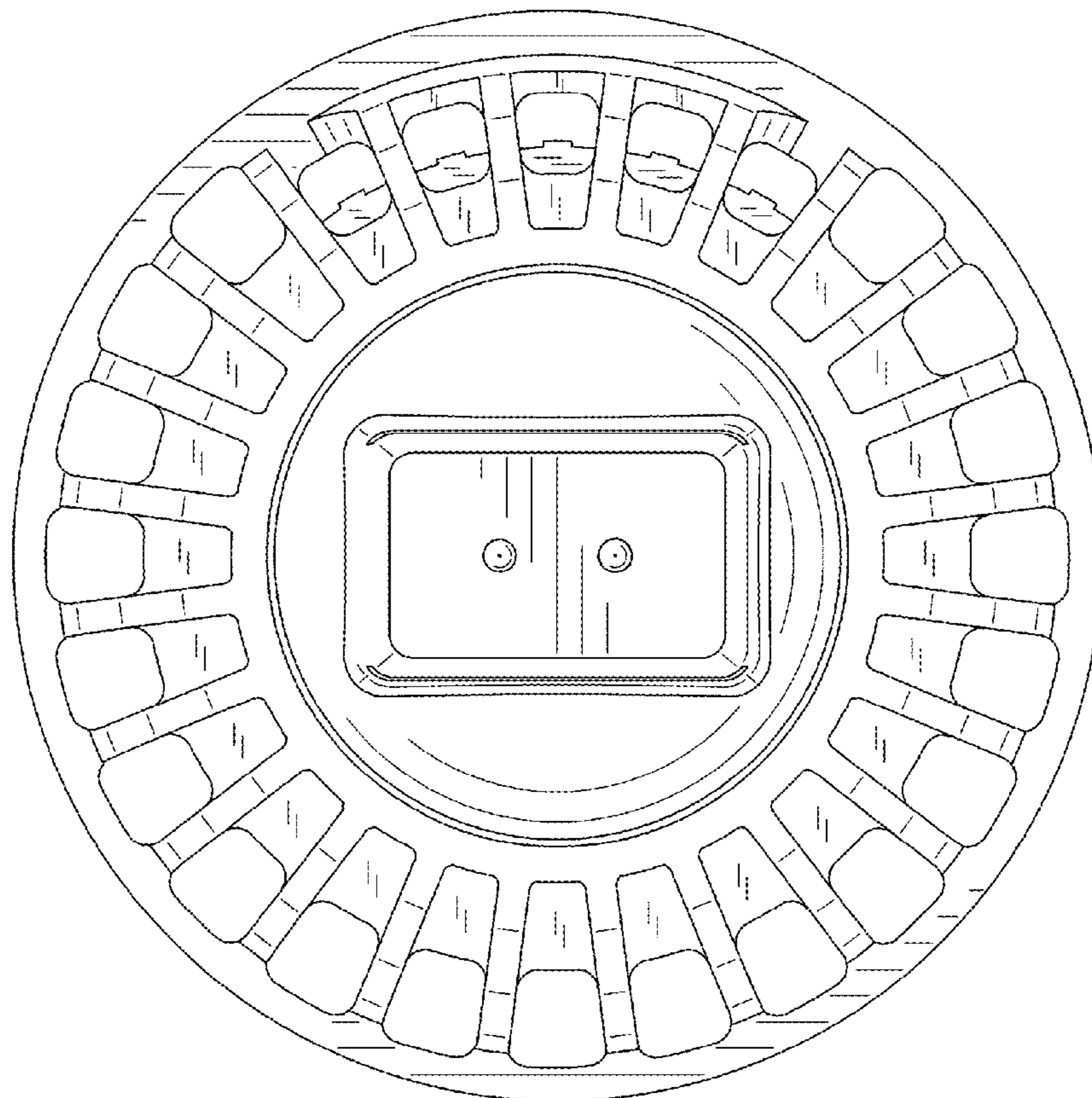


FIG. 6