



US00D671232S

(12) **United States Design Patent**  
**Yoshinobu et al.**

(10) **Patent No.:** **US D671,232 S**

(45) **Date of Patent:** **\*\* Nov. 20, 2012**

(54) **LIGHT EMITTING DIODE LAMP**  
(75) Inventors: **Masayuki Yoshinobu**, Kanagawa (JP);  
**Toshiya Tanaka**, Kanagawa (JP);  
**Cherry Kou**, Taipei (TW)

D616,120 S \* 5/2010 Wada et al. .... D26/2  
D617,918 S \* 6/2010 Yamamoto et al. .... D26/2  
D631,571 S \* 1/2011 Bobel ..... D26/2  
D631,989 S 2/2011 Bobel  
D634,030 S 3/2011 Bobel  
D646,802 S \* 10/2011 Guohui ..... D26/2

(73) Assignee: **Toshiba Lighting & Technology Corporation**, Kanagawa (JP)

**FOREIGN PATENT DOCUMENTS**

JP D1393665 8/2010

\* cited by examiner

(\*\*) Term: **14 Years**

*Primary Examiner* — Marcus Jackson

(21) Appl. No.: **29/414,156**

(74) *Attorney, Agent, or Firm* — J.C. Patents

(22) Filed: **Feb. 24, 2012**

(30) **Foreign Application Priority Data**

(57) **CLAIM**

The ornamental design for a light emitting diode lamp, as shown.

Sep. 7, 2011 (JP) ..... 2011-020362

(51) **LOC (9) Cl.** ..... **26-04**

(52) **U.S. Cl.** ..... **D26/2**

(58) **Field of Classification Search** ..... D26/1-4;  
313/313, 315, 316, 317, 318, 493; 315/52,  
315/53, 56, 57, 58

See application file for complete search history.

**DESCRIPTION**

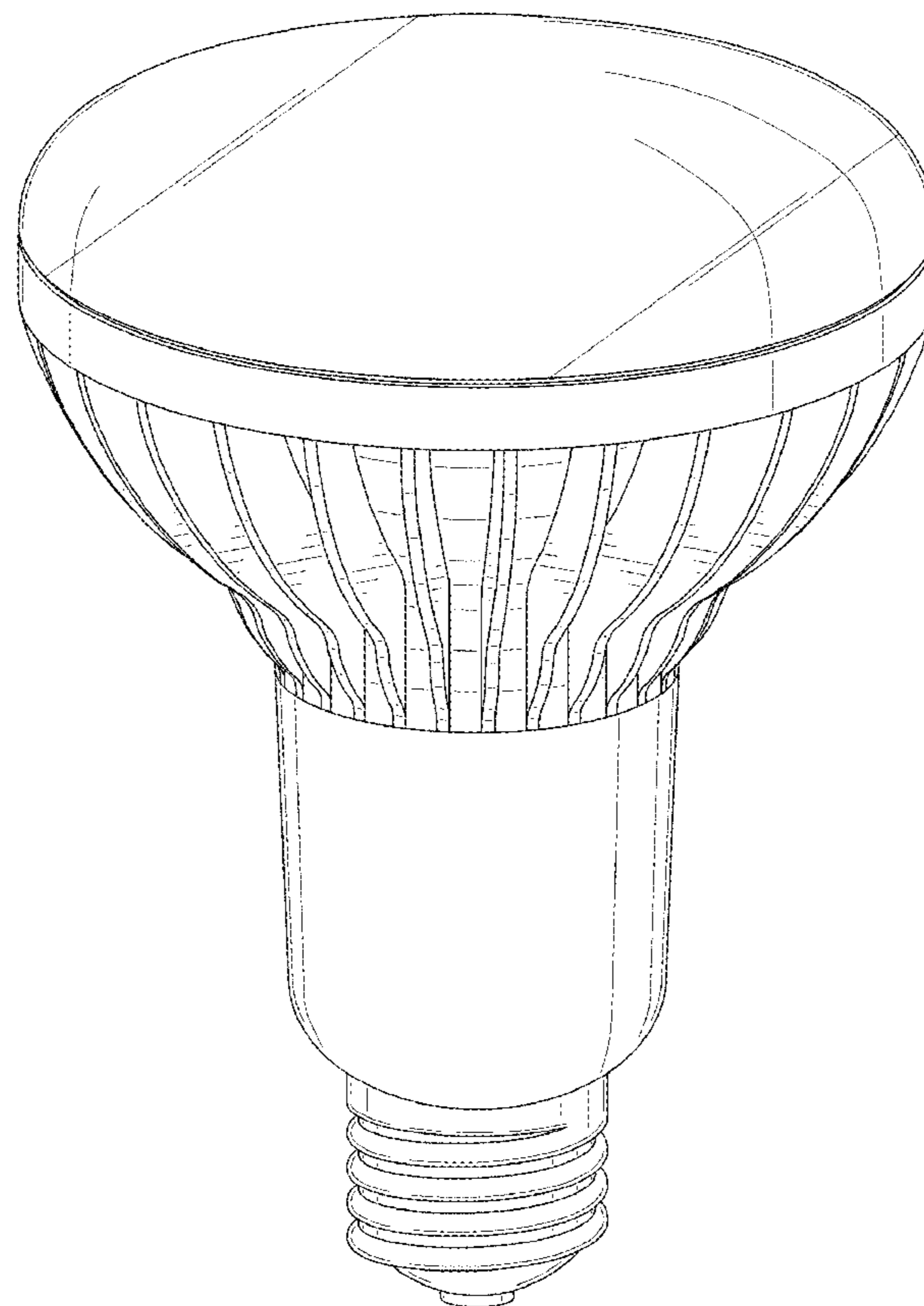
FIG. 1 is a perspective view of a light emitting diode lamp showing our new design;  
FIG. 2 is a front view thereof;  
FIG. 3 is a rear view thereof;  
FIG. 4 is a left side view thereof;  
FIG. 5 is a right side view thereof;  
FIG. 6 is a top view thereof; and,  
FIG. 7 is a bottom view thereof.

(56) **References Cited**

**U.S. PATENT DOCUMENTS**

D532,532 S \* 11/2006 Maxik ..... D26/2  
D610,271 S \* 2/2010 Bi ..... D26/2

**1 Claim, 7 Drawing Sheets**



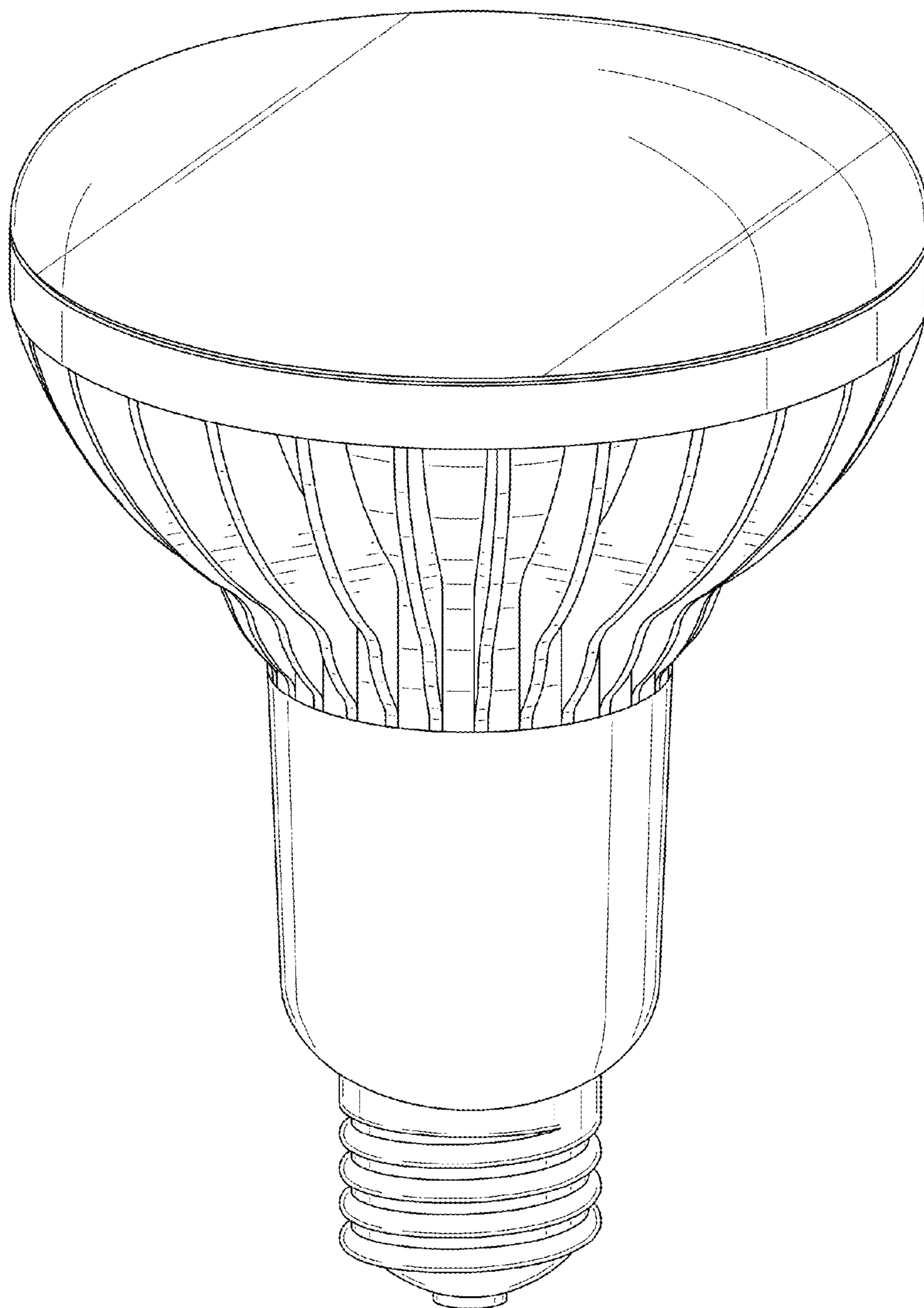


FIG. 1

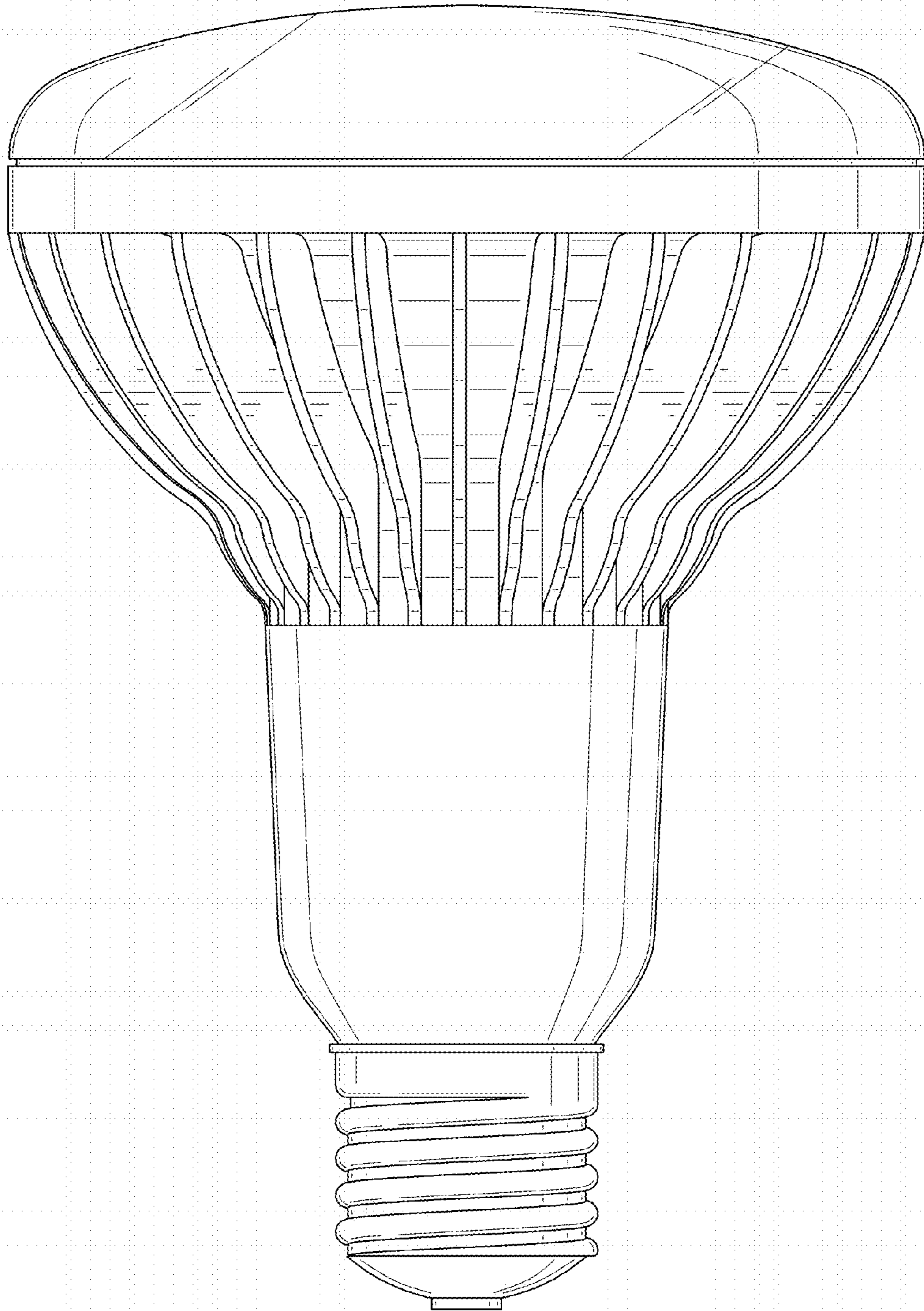


FIG. 2

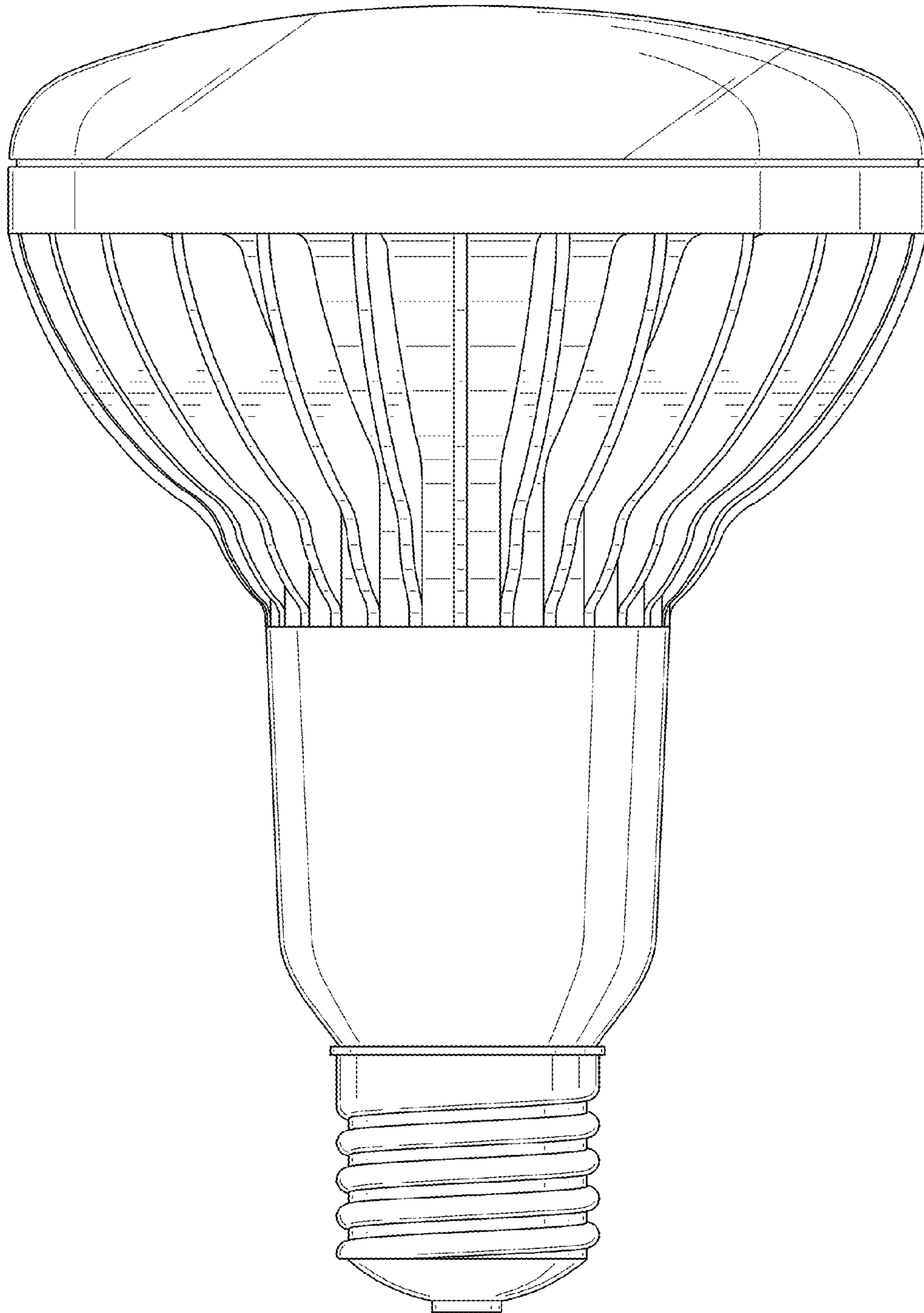


FIG. 3

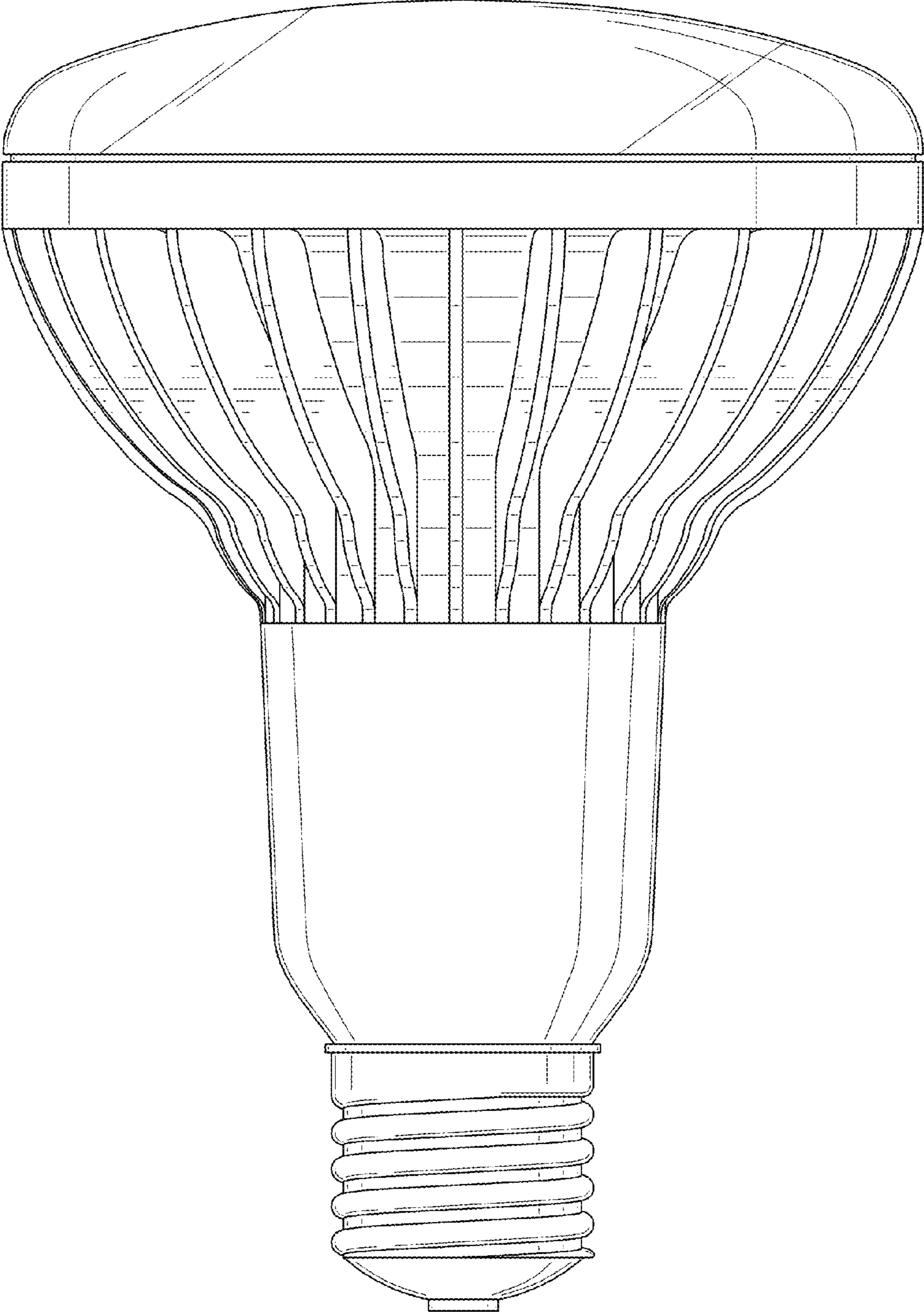


FIG. 4

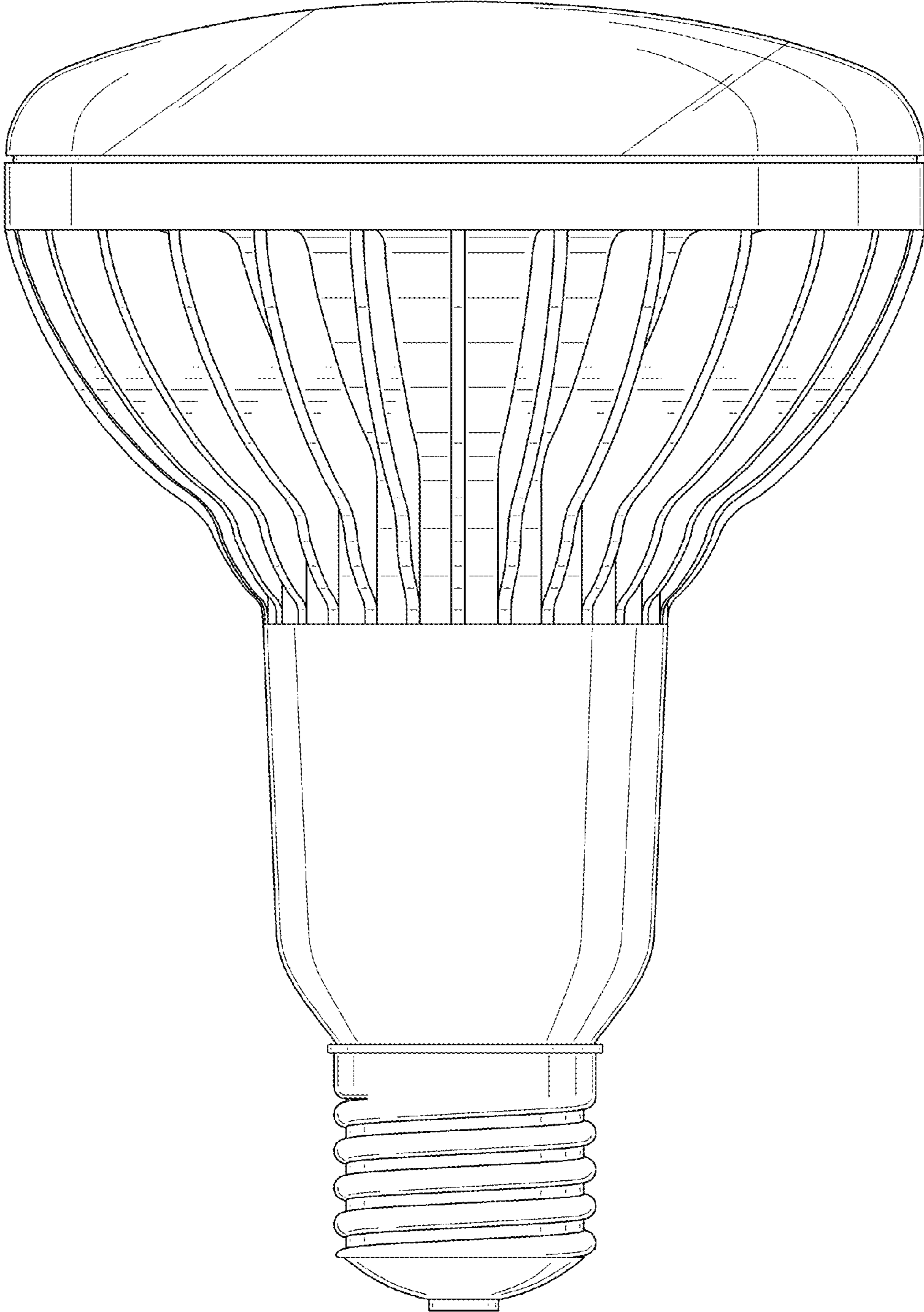


FIG. 5

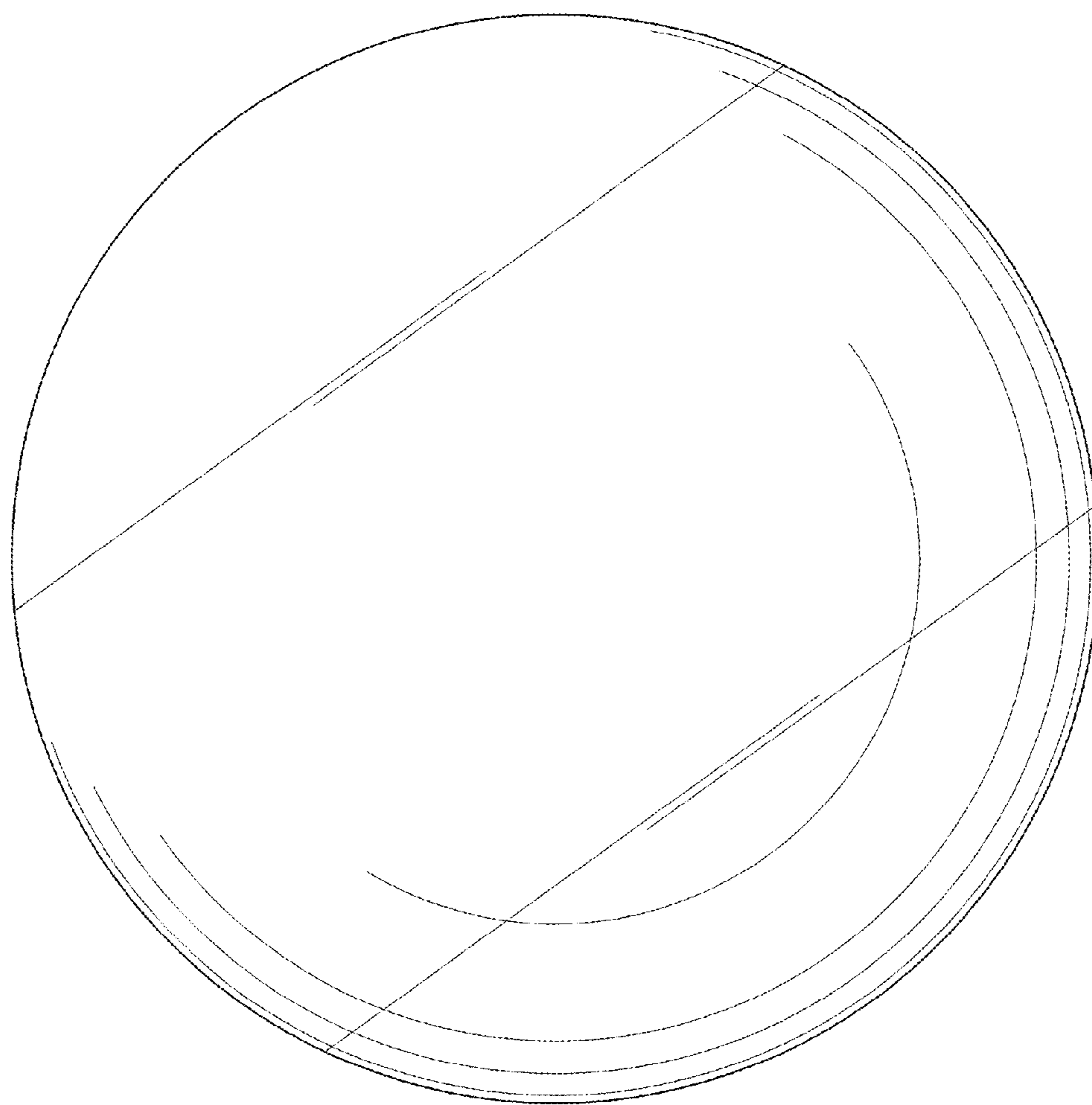


FIG. 6

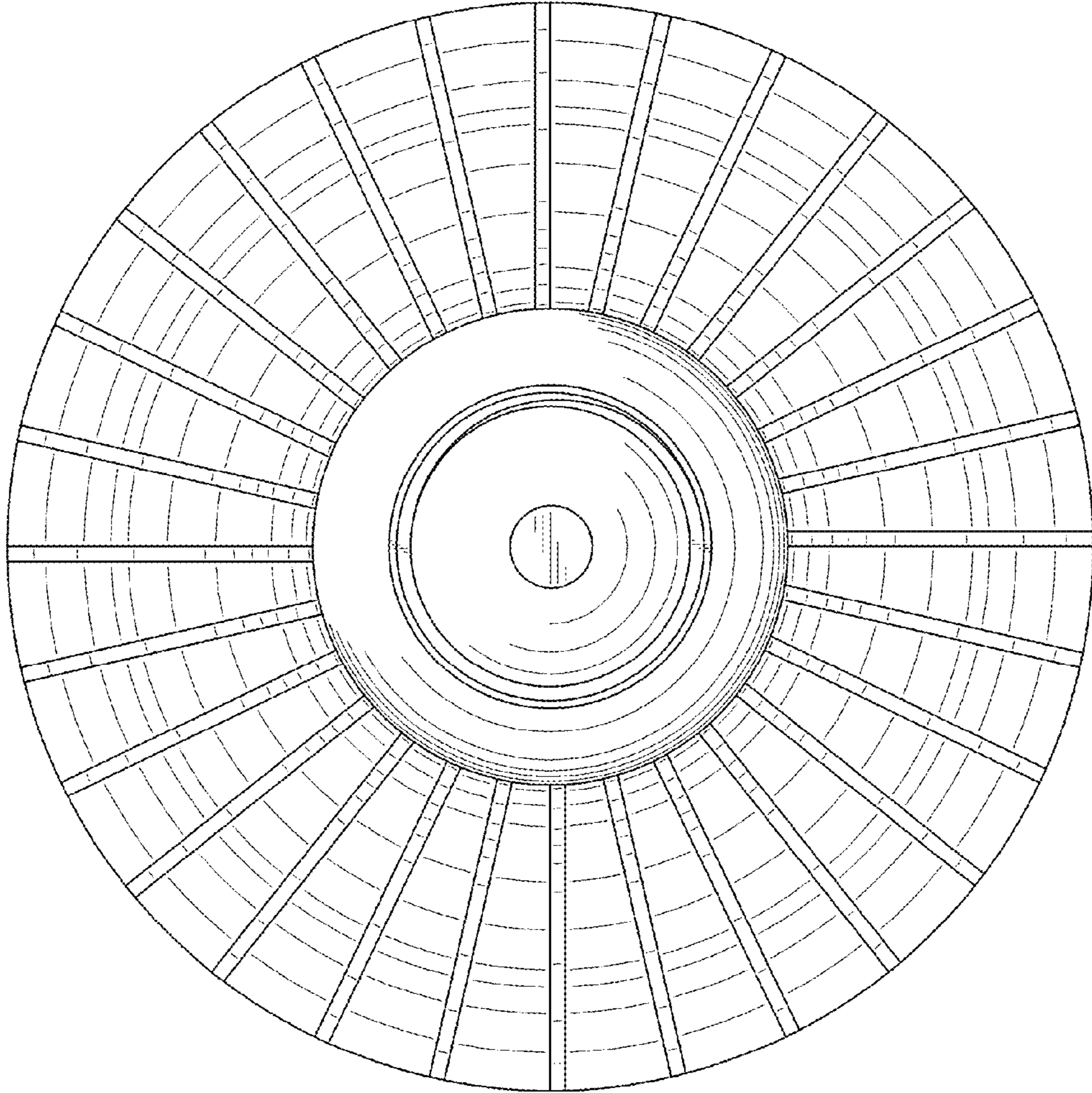


FIG. 7