



US00D671225S

(12) **United States Design Patent**  
**Higley**

(10) **Patent No.:** **US D671,225 S**

(45) **Date of Patent:** **\*\* Nov. 20, 2012**

(54) **WRIST WARMER**

(76) Inventor: **Tyler M. Higley**, Hooper, UT (US)

(\*\*) Term: **14 Years**

(21) Appl. No.: **29/417,454**

(22) Filed: **Apr. 3, 2012**

(51) **LOC (9) Cl.** ..... **24-02**

(52) **U.S. Cl.** ..... **D24/206**

(58) **Field of Classification Search** ..... D24/206-208,  
D24/189-192, 200; 602/1-7, 17-27, 61-66,  
602/74; 128/95.1, 96.1, 97.1, 100.1, 101.1,  
128/876; 606/204, 27; 607/96, 108, 109,  
607/111, 112; D29/101.2, 101.5, 120.1,  
D29/121.1, 113, 115; D3/327, 215; 601/15;  
126/204; D2/610, 612, 894; 2/161.1, 181  
See application file for complete search history.

(56) **References Cited**

U.S. PATENT DOCUMENTS

3,561,436	A *	2/1971	Gaylord, Jr.	602/19
4,586,506	A *	5/1986	Nangle	607/112
5,148,804	A *	9/1992	Hill et al.	607/108
D335,023	S *	4/1993	Hutcheson	D2/612
D371,235	S *	7/1996	Robertson	D3/215
D382,642	S *	8/1997	Van Gisbergen	
			Rutherford	D24/190
D387,886	S *	12/1997	Smith et al.	D2/610
D414,027	S *	9/1999	Andrews	D3/215
D426,308	S *	6/2000	Negron	D24/189

D432,240	S *	10/2000	Katz et al.	D24/200
D475,140	S *	5/2003	Anderson	D24/191
D539,912	S *	4/2007	Jacobs	D24/206
D630,335	S *	1/2011	Wise et al.	D24/206

\* cited by examiner

*Primary Examiner* — David Muller

(74) *Attorney, Agent, or Firm* — QuickPatents, Inc.; Kevin Prince

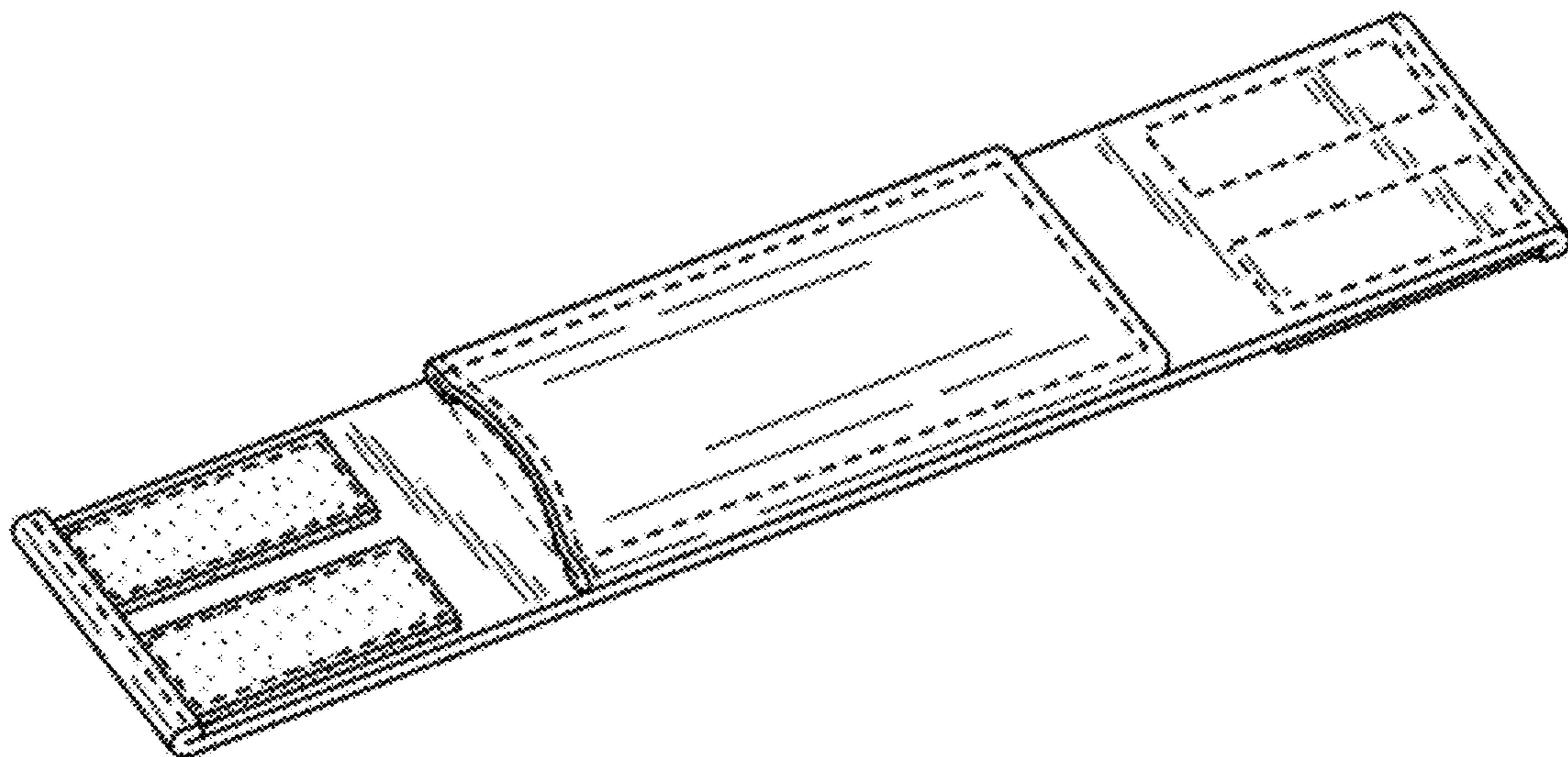
(57) **CLAIM**

I claim the ornamental design for a wrist warmer, as shown and described.

**DESCRIPTION**

FIG. 1 is a perspective view of a wrist warmer, in use, showing my new design;  
FIG. 2 is a perspective view thereof;  
FIG. 3 is a front elevational view thereof;  
FIG. 4 is a rear elevational view thereof;  
FIG. 5 is a top plan view thereof, the bottom plan view being a mirror image thereof;  
FIG. 6 is a right-side elevational view thereof; and,  
FIG. 7 is a left-side elevational view thereof.  
The broken lines showing a person in FIG. 1 and a heat pack in a pocket of the design in FIG. 2 depict environmental matter and form no part of the claimed design. The remaining broken lines represent stitching, and are part of the claimed design.

**1 Claim, 3 Drawing Sheets**



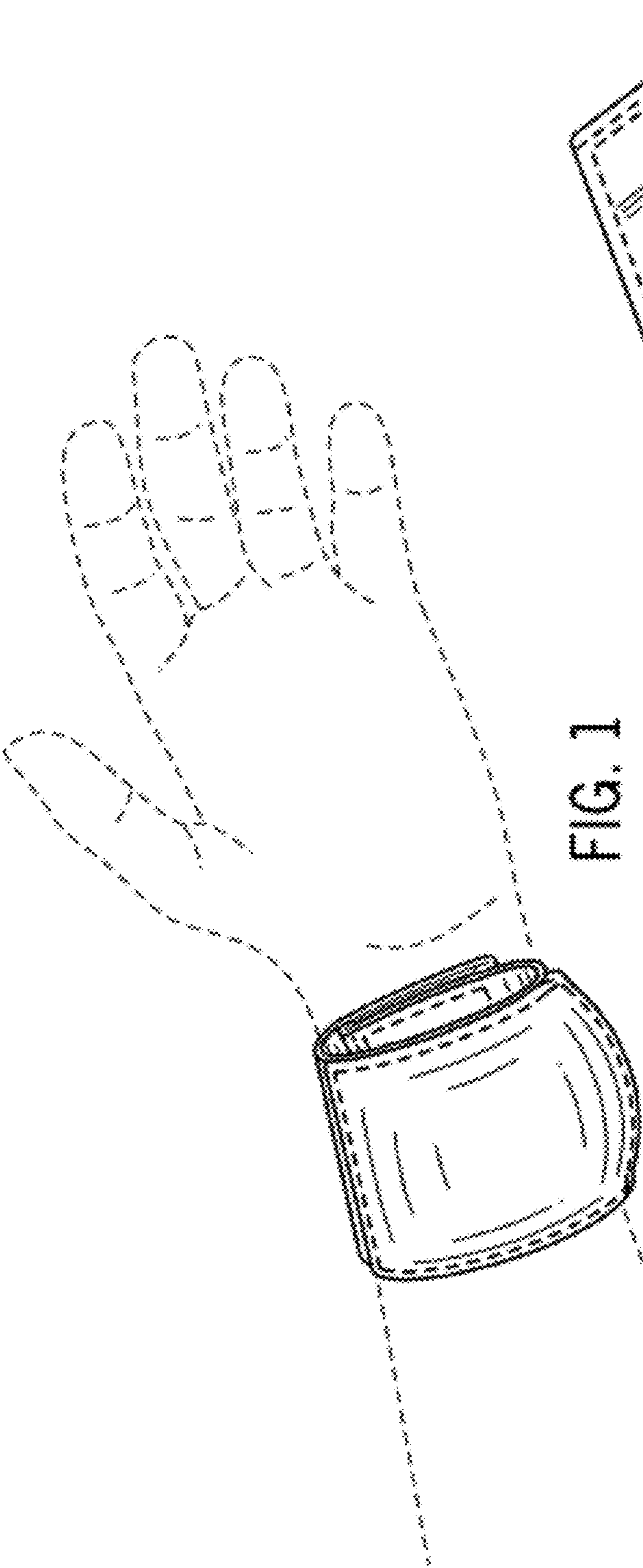


FIG. 1

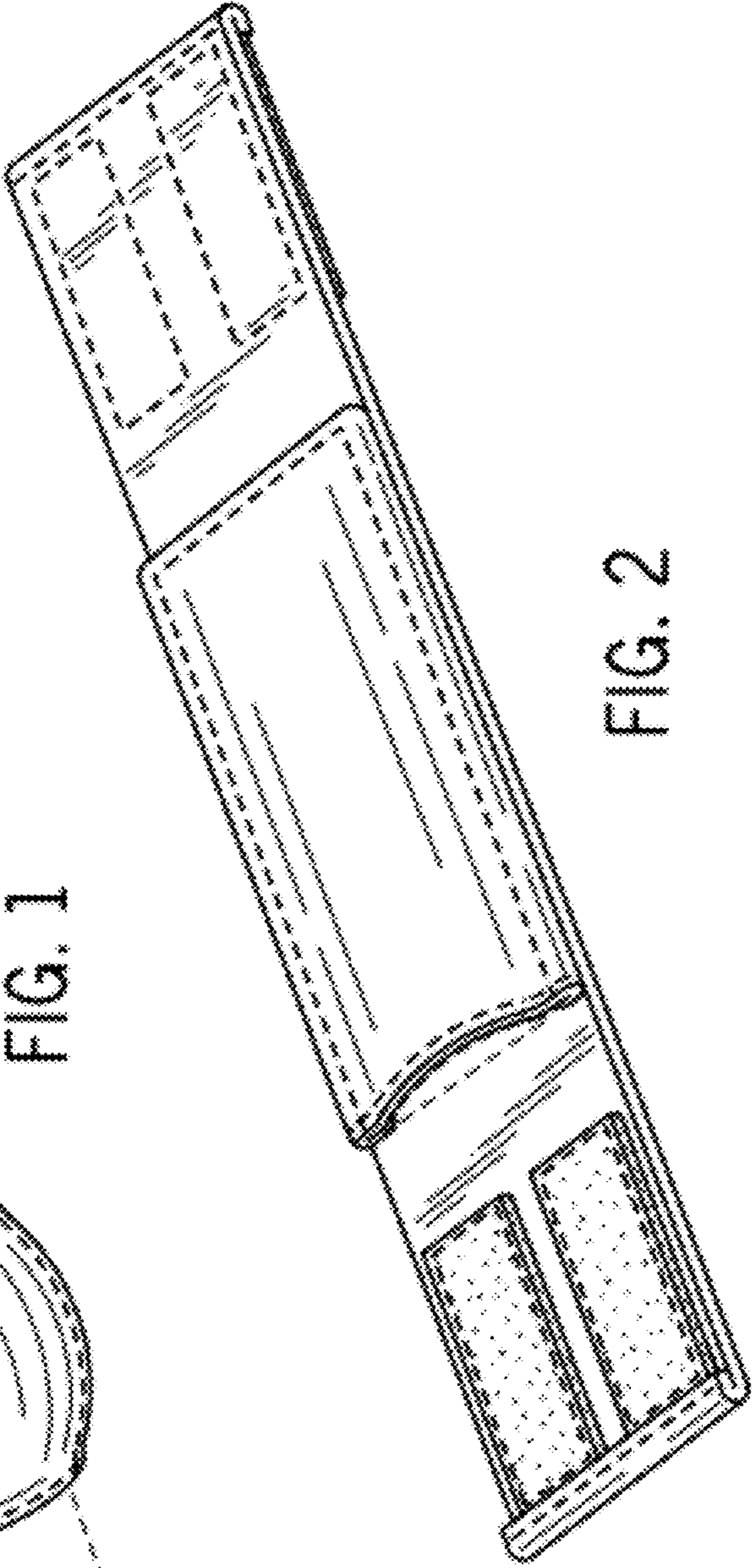


FIG. 2

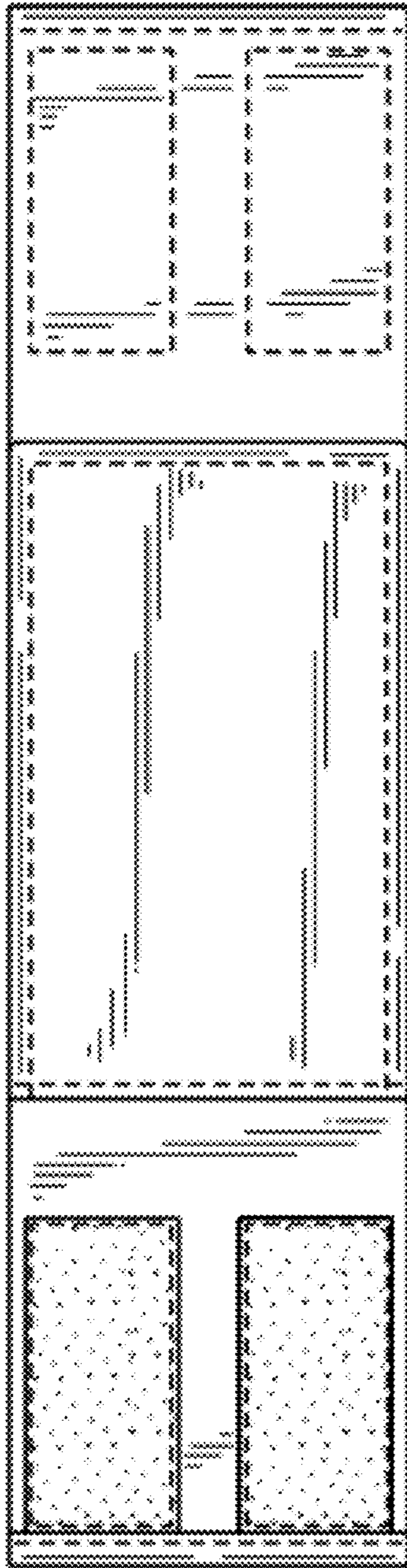


FIG. 3

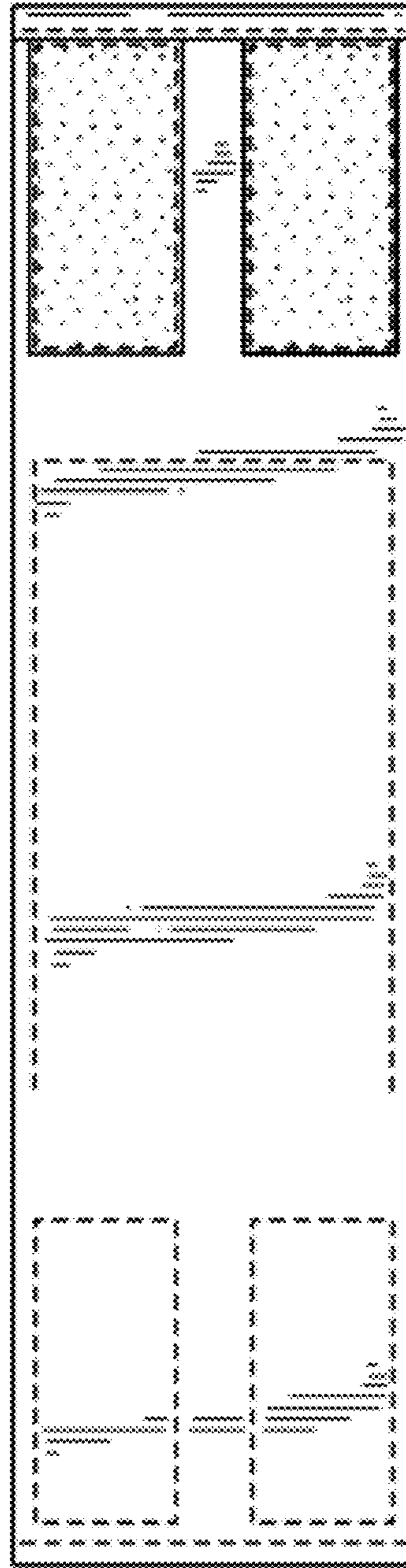


FIG. 4

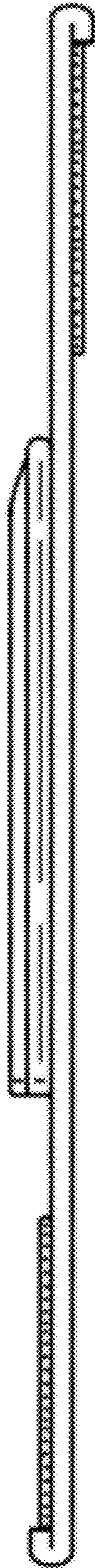


FIG. 5

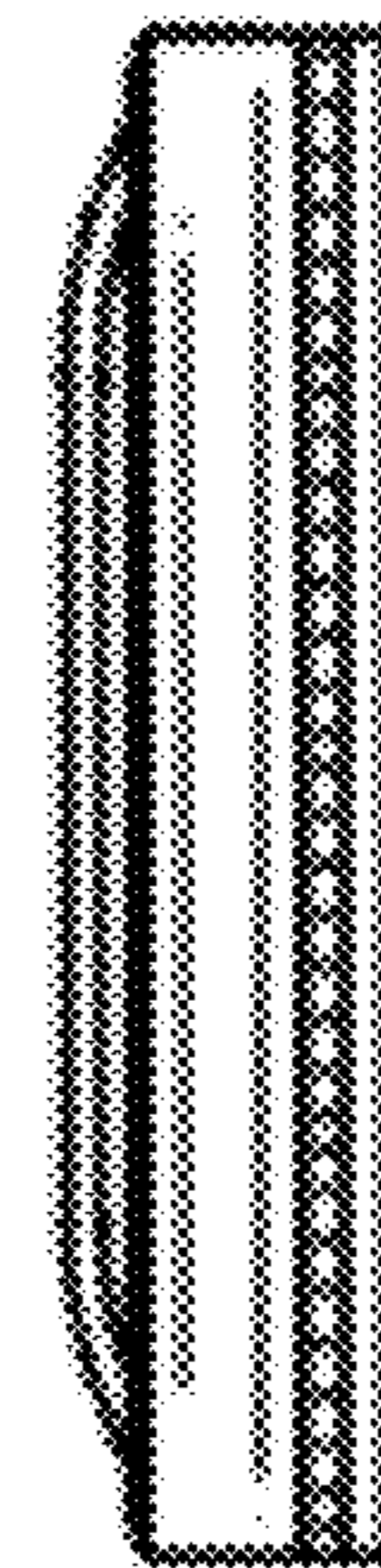


FIG. 6

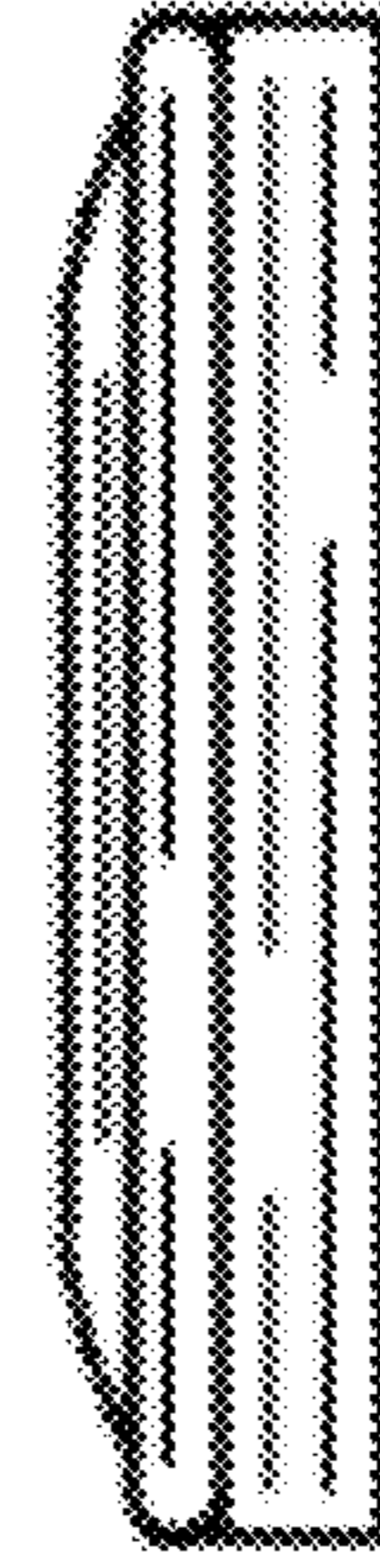


FIG. 7