



US00D671224S

(12) **United States Design Patent**
Paul

(10) **Patent No.:** **US D671,224 S**

(45) **Date of Patent:** **** Nov. 20, 2012**

(54) **PACIFIER NIPPLE**

(76) Inventor: **Sheron Paul**, San Antonio, TX (US)

(**) Term: **14 Years**

(21) Appl. No.: **29/417,513**

(22) Filed: **Apr. 4, 2012**

(51) **LOC (9) Cl.** **24-04**

(52) **U.S. Cl.** **D24/194**

(58) **Field of Classification Search** D24/115,
D24/117, 193-196, 199, 200, 211, 214;
606/234-236; 215/11.1-11.6; D30/160;
604/77; 119/707, 710, 711; 24/3.1, 3.4,
24/3.13, 301

See application file for complete search history.

(56) **References Cited**

U.S. PATENT DOCUMENTS

D31,232	S	7/1899	Pearl	
D87,240	S *	6/1932	Podell	D24/194
2,115,405	A	10/1936	Allen	
D136,206	S	8/1943	Allen	
D160,140	S	9/1950	Binney	
D336,520	S *	6/1993	McDaniel	D24/194
D338,732	S	8/1993	Maradey-Collazo	
D353,461	S *	12/1994	Byrd	D24/194
5,647,302	A	7/1997	Shipp	
5,662,685	A	9/1997	Uhler	
5,711,759	A *	1/1998	Smith et al.	601/139
D393,074	S *	3/1998	Fields et al.	D24/194
6,048,283	A	4/2000	Albarelli, Jr.	
D450,126	S	11/2001	Fitzpatrick et al.	
D457,640	S *	5/2002	Alexandre	D24/194
6,699,264	B1 *	3/2004	Rohrig	606/234
6,863,681	B2 *	3/2005	Dickerson	606/235
D547,455	S *	7/2007	Greenberg	D24/194
D565,737	S *	4/2008	Rohrig	D24/194
D565,738	S *	4/2008	Rohrig	D24/194
D593,203	S *	5/2009	Kliegman et al.	D24/194
D623,304	S *	9/2010	Sierra et al.	D24/194

D640,384	S *	6/2011	Roehrig et al.	D24/194
D662,599	S *	6/2012	Rhodes et al.	D24/194
2004/0044367	A1 *	3/2004	Yancy	606/234
2012/0121645	A1 *	5/2012	Kapil	424/216.1

OTHER PUBLICATIONS

<http://www.giggle.com/on/demandware.store/Sites-giggle-Site/default/Product-Show?pid=0004091574&gclid=CLKUIZ3Cj7ECFSZntgodnQJglQ>; webpage printed Jul. 10, 2012 (2 pages).
Photographs of the Wee Pacifier; purchased by applicant on Mar. 11, 2012 (4 pages).

* cited by examiner

Primary Examiner — Susan E Krakower

(74) *Attorney, Agent, or Firm* — Gunn, Lee & Cace, P.C

(57) **CLAIM**

An ornamental design for a pacifier nipple, as shown and described.

DESCRIPTION

FIG. 1 is a perspective view of the pacifier nipple showing my new design.

FIG. 2 is a bottom plan view of the pacifier nipple shown in FIG. 1.

FIG. 3 is a right side elevation view of the pacifier nipple shown in FIG. 1.

FIG. 4 is a top plan view of the pacifier nipple shown in FIG. 1.

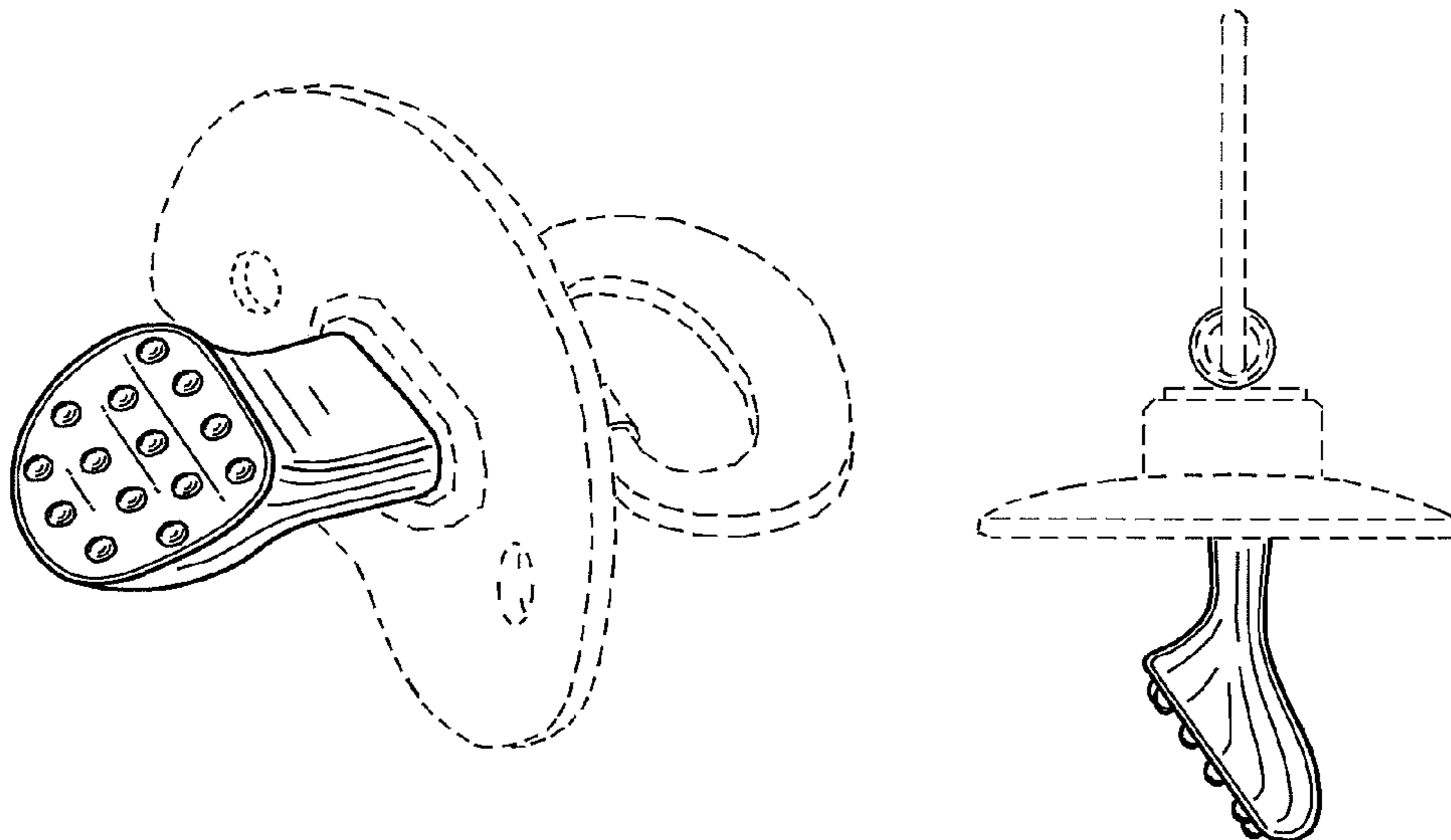
FIG. 5 is a left side elevation view of the pacifier nipple shown in FIG. 1.

FIG. 6 is a front side elevation view of the pacifier nipple shown in FIG. 1; and,

FIG. 7 is a rear side elevation view of the pacifier nipple shown in FIG. 1.

The broken lines showing the pacifier guard (or shield) and handle in FIGS. 1-7 are illustrative of environmental structure only and form no part of the claimed design.

1 Claim, 2 Drawing Sheets



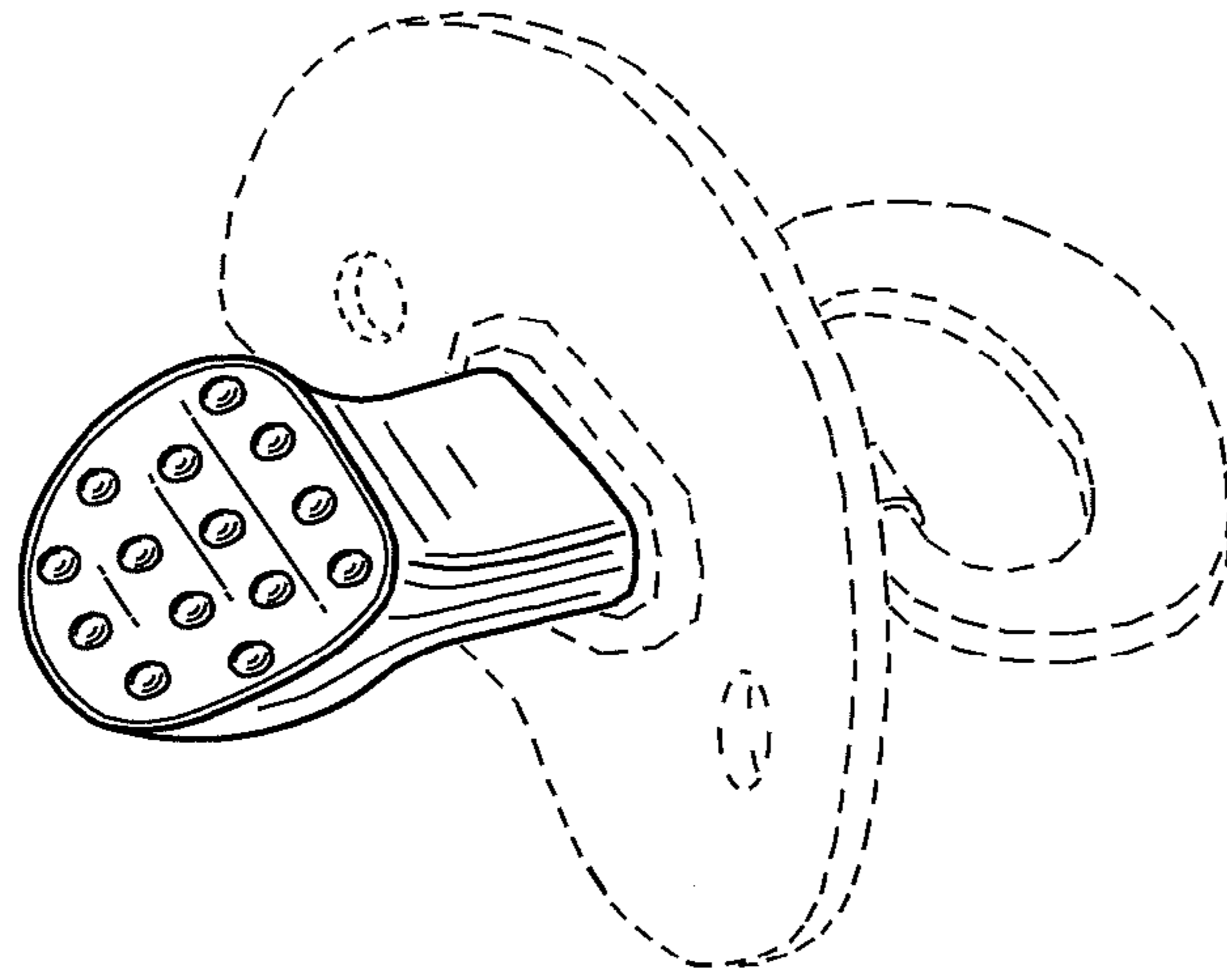


Fig. 1

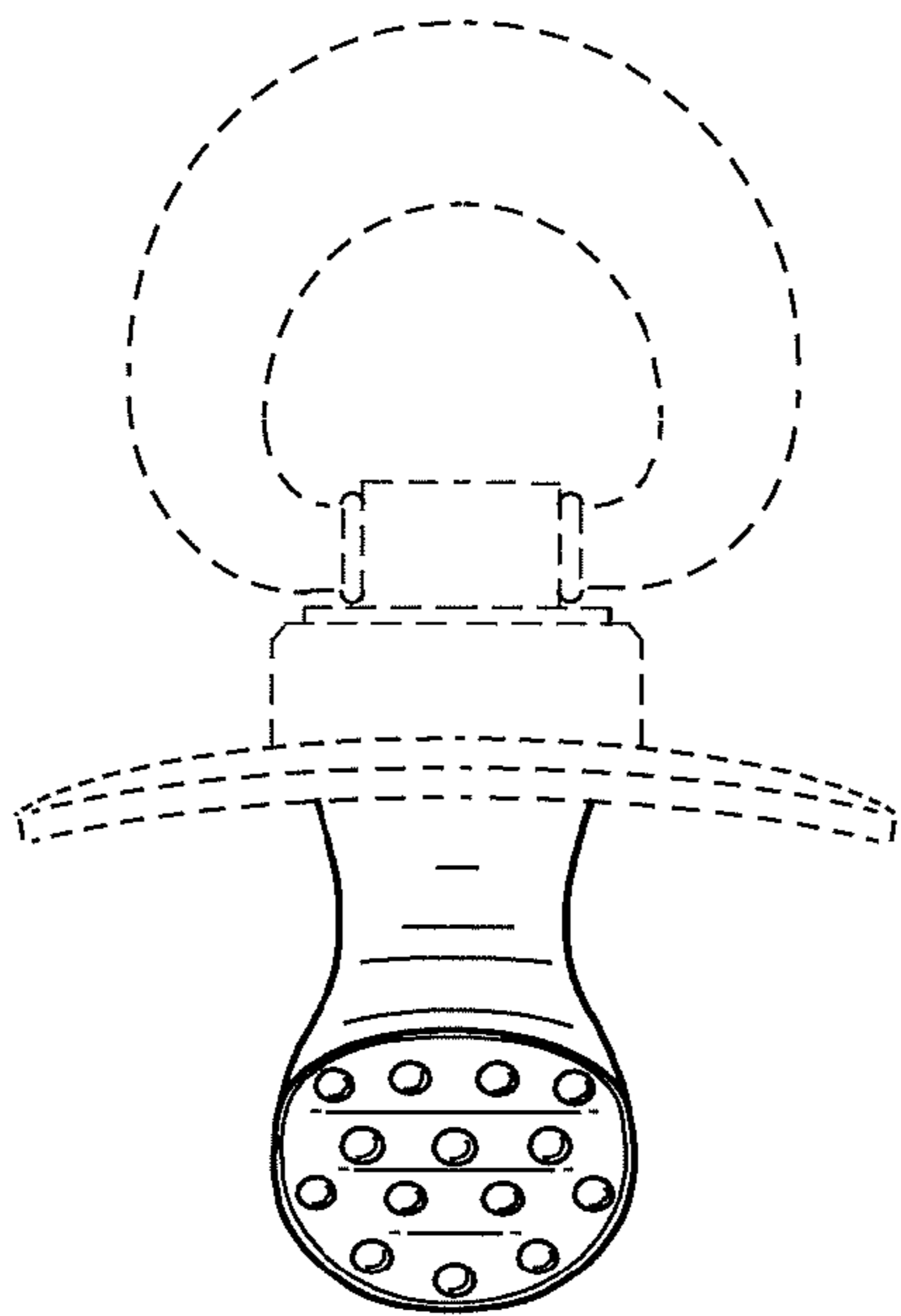


Fig. 2

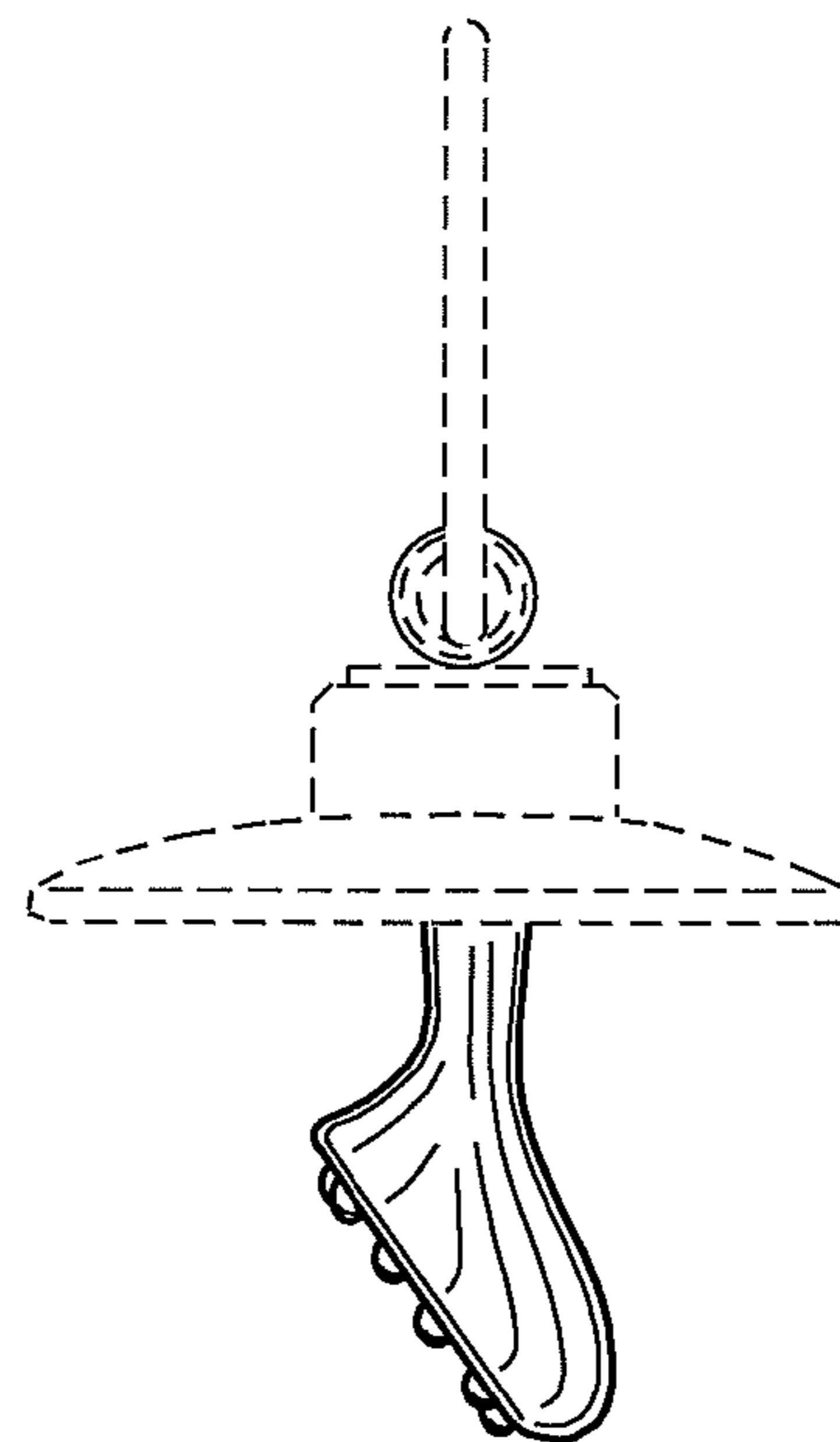


Fig. 3

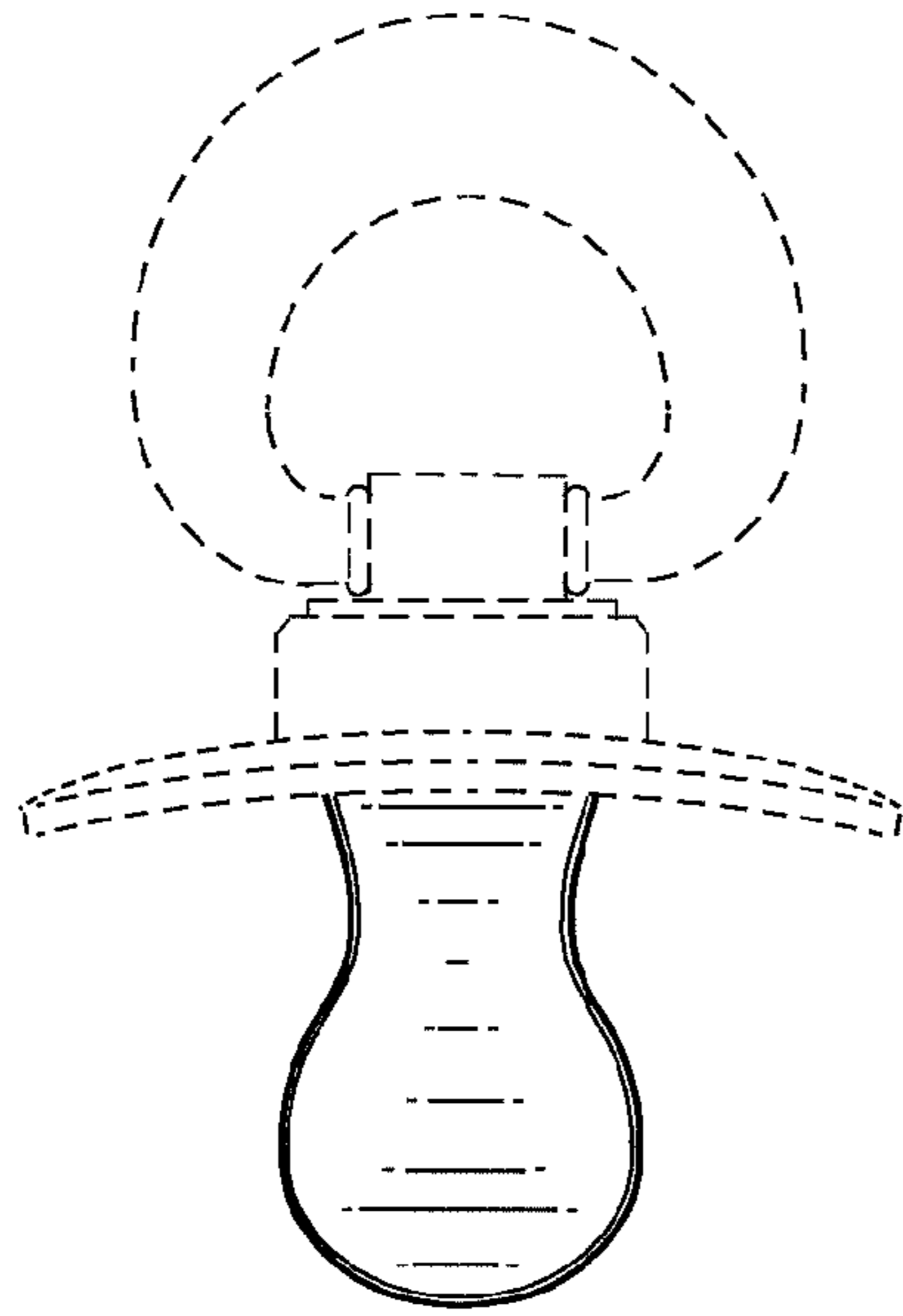


Fig. 4

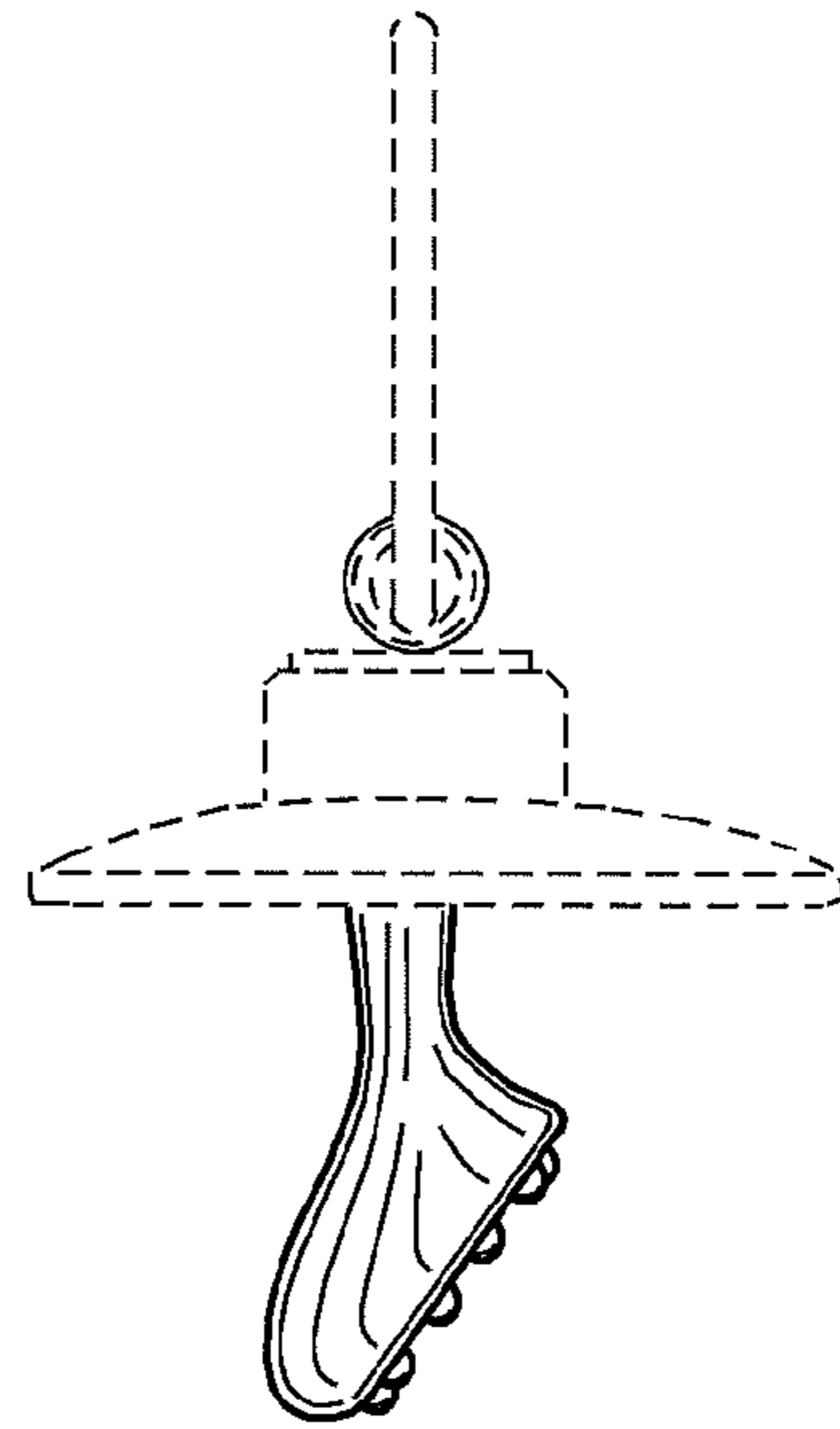


Fig. 5

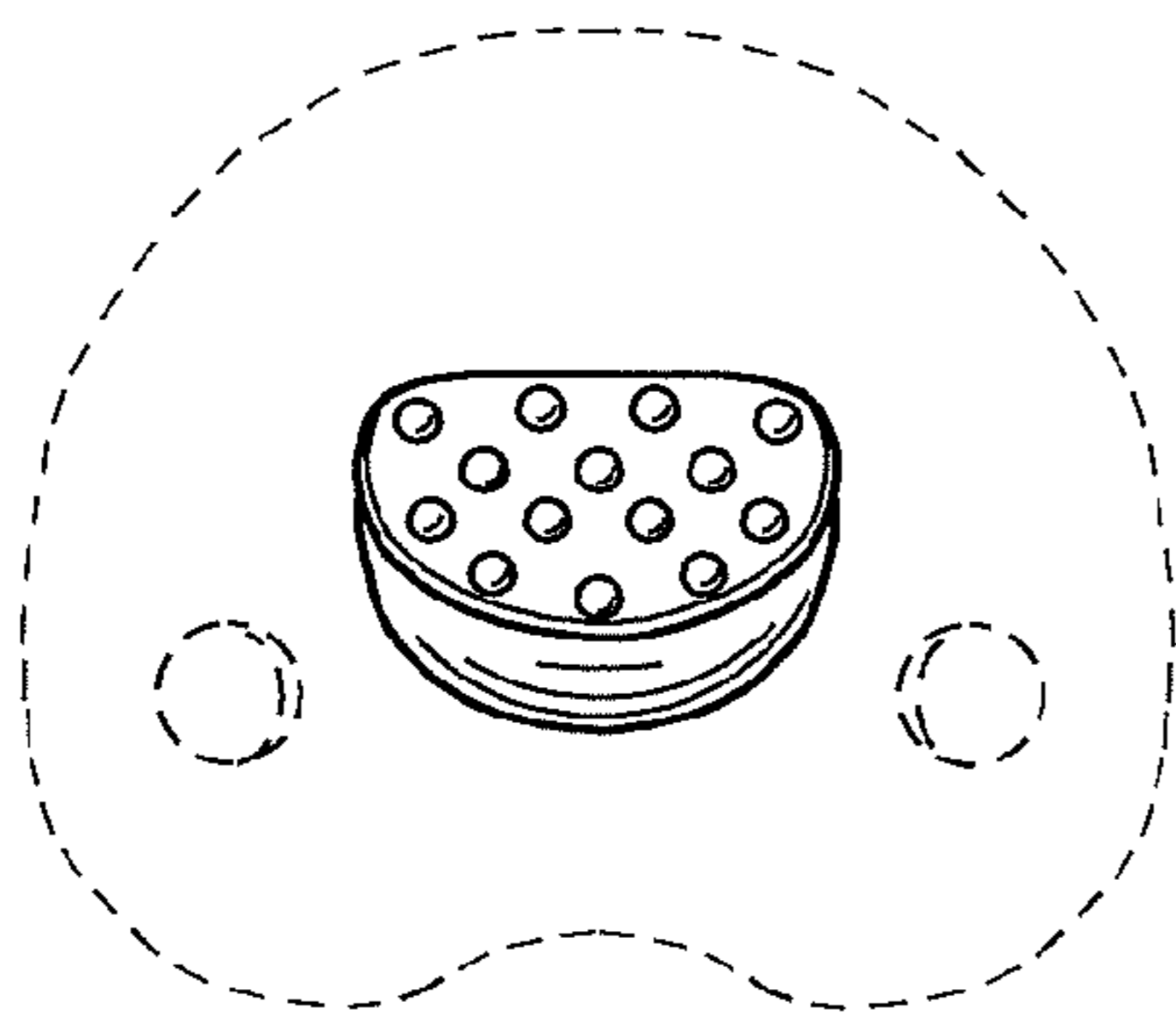


Fig. 6

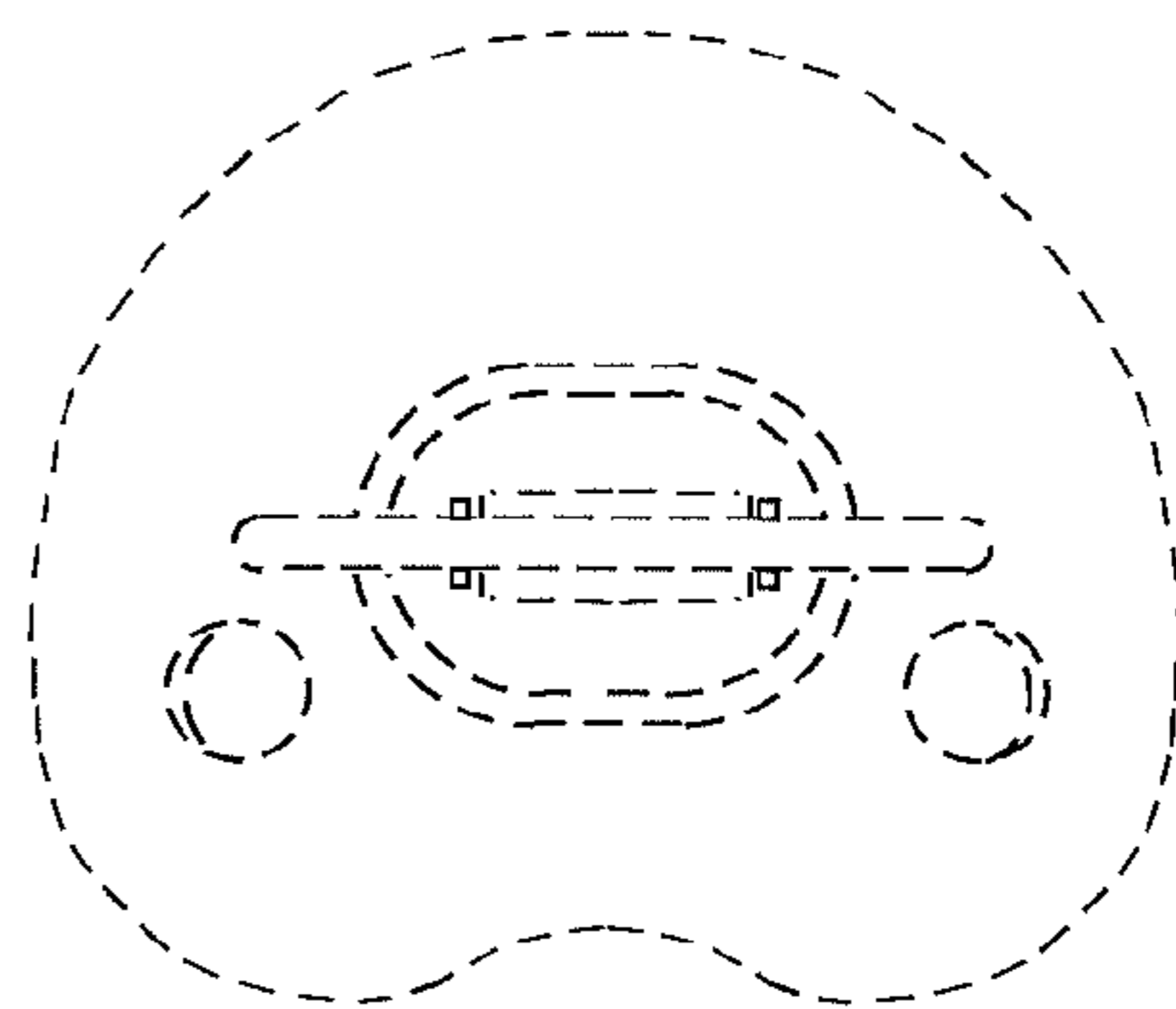


Fig. 7