



US00D671217S

(12) **United States Design Patent**
Moon et al.

(10) **Patent No.:** **US D671,217 S**
(45) **Date of Patent:** **** Nov. 20, 2012**

(54) **X-RAY MACHINE**

(75) Inventors: **Jae-Hwa Moon**, Seoul (KR); **Yun-Su Kim**, Seoul (KR); **Jung-Hoon Kim**, Seoul (KR); **Jun-Pil Moon**, Seoul (KR); **Ki-Soo Kim**, Gunpo-si (KR)

(73) Assignee: **Samsung Electronics Co., Ltd.** (KR)

(**) Term: **14 Years**

(21) Appl. No.: **29/401,288**

(22) Filed: **Sep. 9, 2011**

(30) **Foreign Application Priority Data**

Jun. 13, 2011 (KR) 30-2011-0023966

(51) **LOC (9) Cl.** **24-01**

(52) **U.S. Cl.** **D24/158**

(58) **Field of Classification Search** D24/158-161,
D24/185, 186; 378/4, 15, 17, 20, 21, 23-27,
378/62, 68, 146, 37, 195-198, 38, 39, 40
See application file for complete search history.

(56) **References Cited**

U.S. PATENT DOCUMENTS

5,157,707 A * 10/1992 Ohlson 378/167
6,851,851 B2 * 2/2005 Smith et al. 378/189

D554,755 S * 11/2007 Iwasaki et al. D24/158
D604,415 S * 11/2009 Otsuka et al. D24/158
7,785,006 B2 * 8/2010 Kim 378/197
D624,186 S * 9/2010 Youn D24/158
2010/0020917 A1 * 1/2010 Gagliano 378/4
* cited by examiner

Primary Examiner — Anhdao Doan

(74) *Attorney, Agent, or Firm* — Cantor Colburn LLP

(57) **CLAIM**

The ornamental design for an X-ray machine, as shown and described.

DESCRIPTION

FIG. 1 is a perspective view of X-ray machine, showing our new design;
FIG. 2 is a front elevational view thereof;
FIG. 3 is a rear elevational view thereof;
FIG. 4 is a left side elevational view thereof;
FIG. 5 is a right side elevational view thereof;
FIG. 6 is a top plan view thereof; and,
FIG. 7 is a bottom plan view thereof.
The portions of the X-ray machine shown in the broken lines form no part of the claimed design.

1 Claim, 7 Drawing Sheets

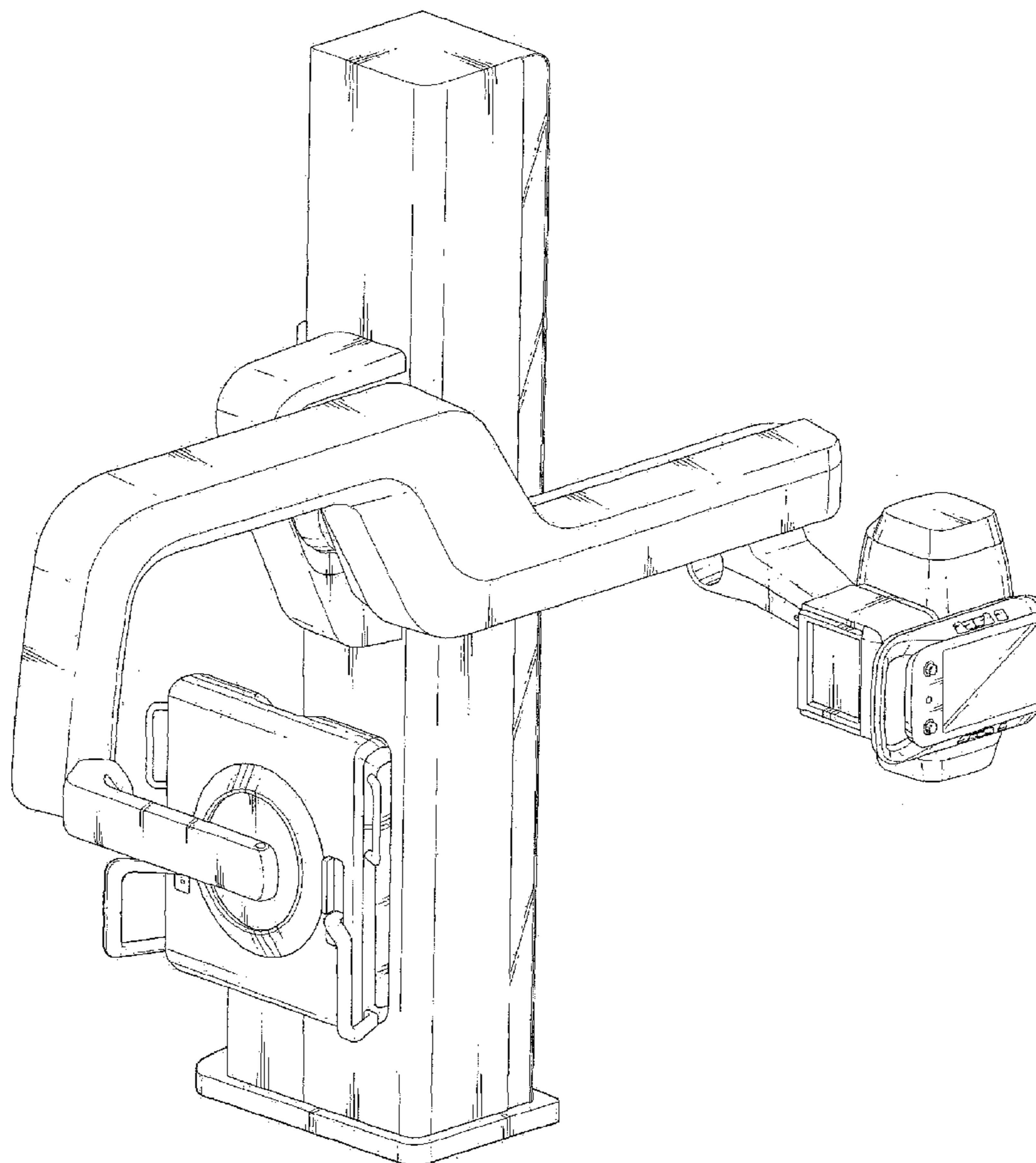


FIG. 1

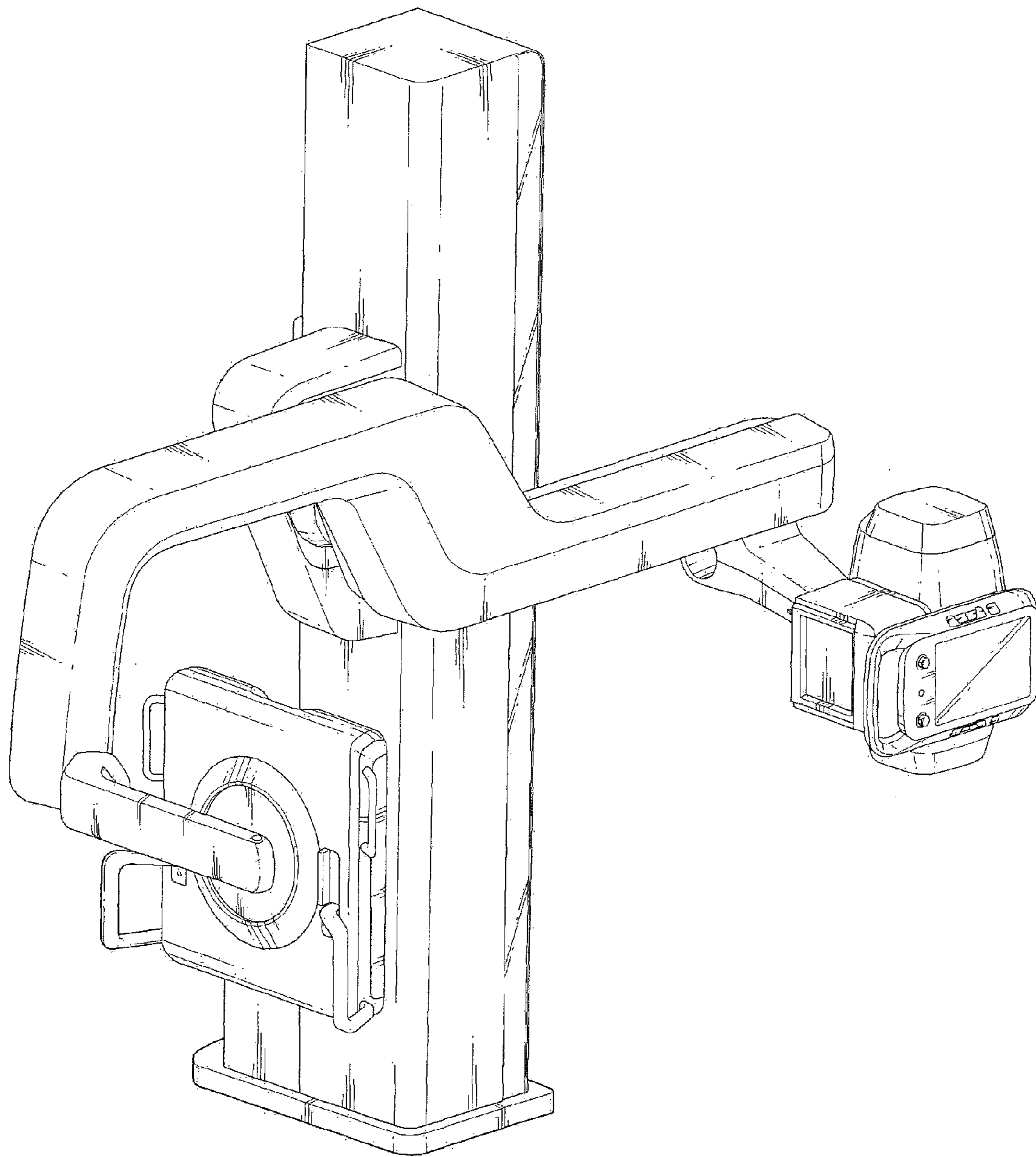


FIG. 2

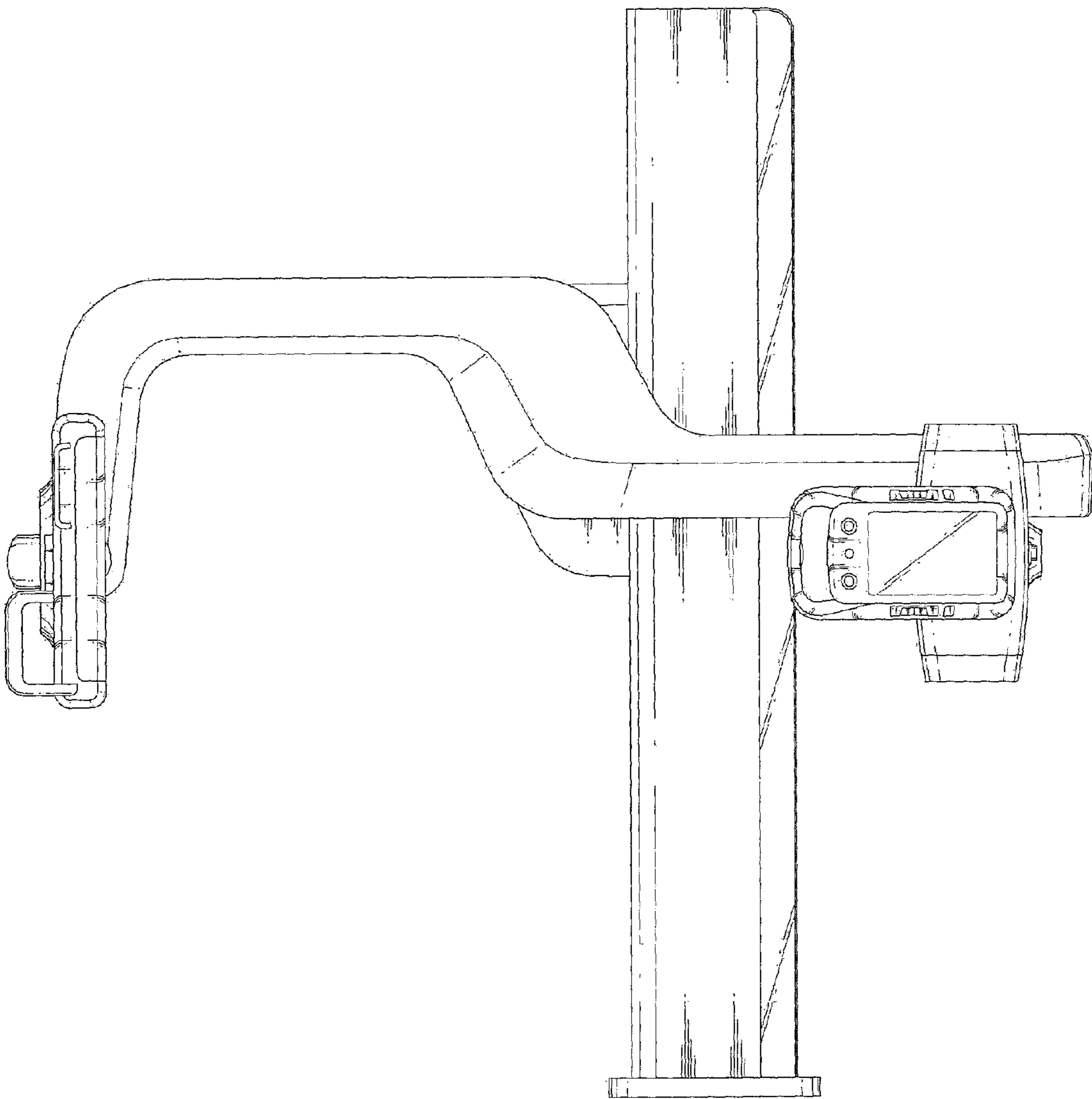


FIG. 3

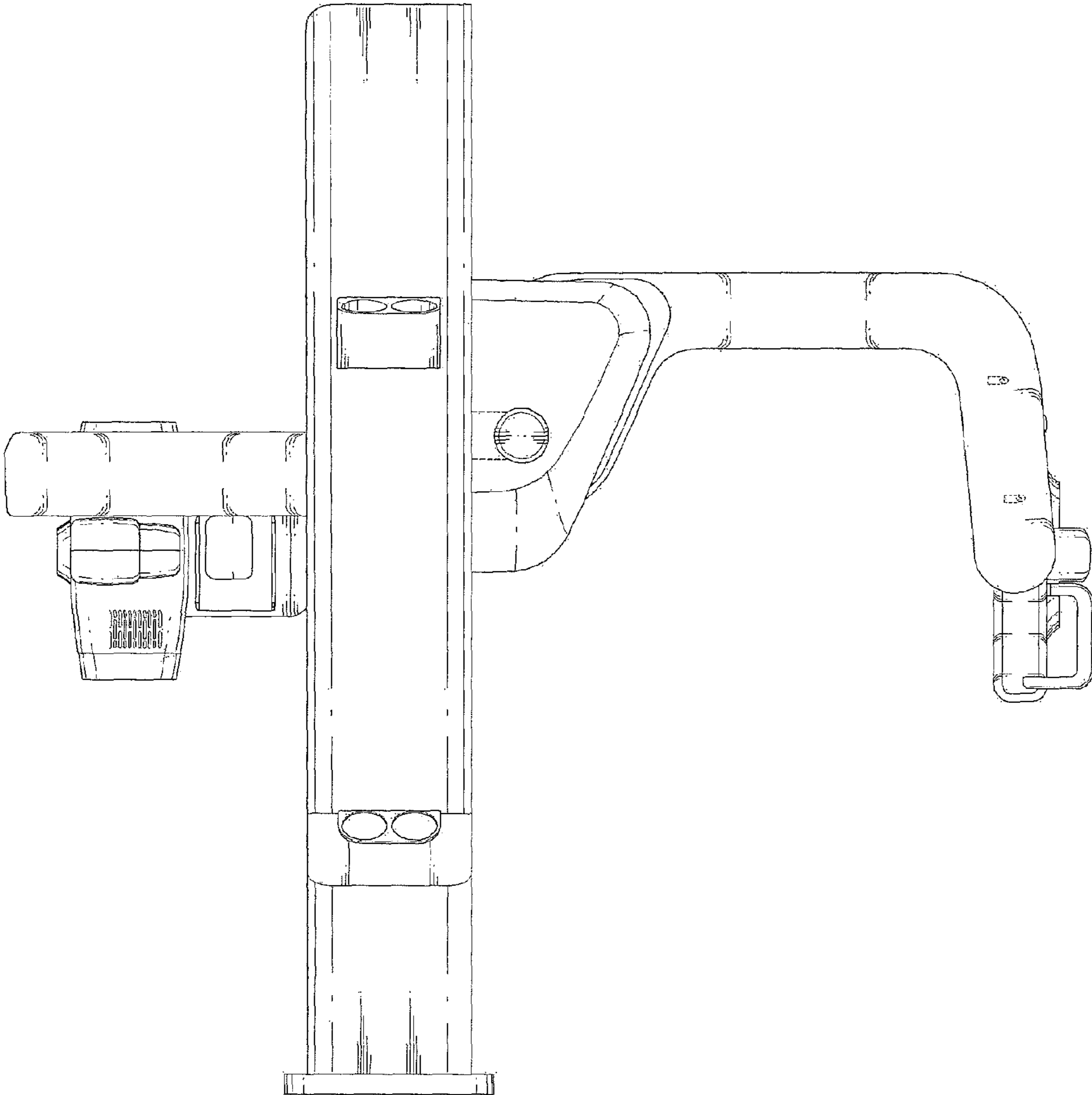


FIG. 4

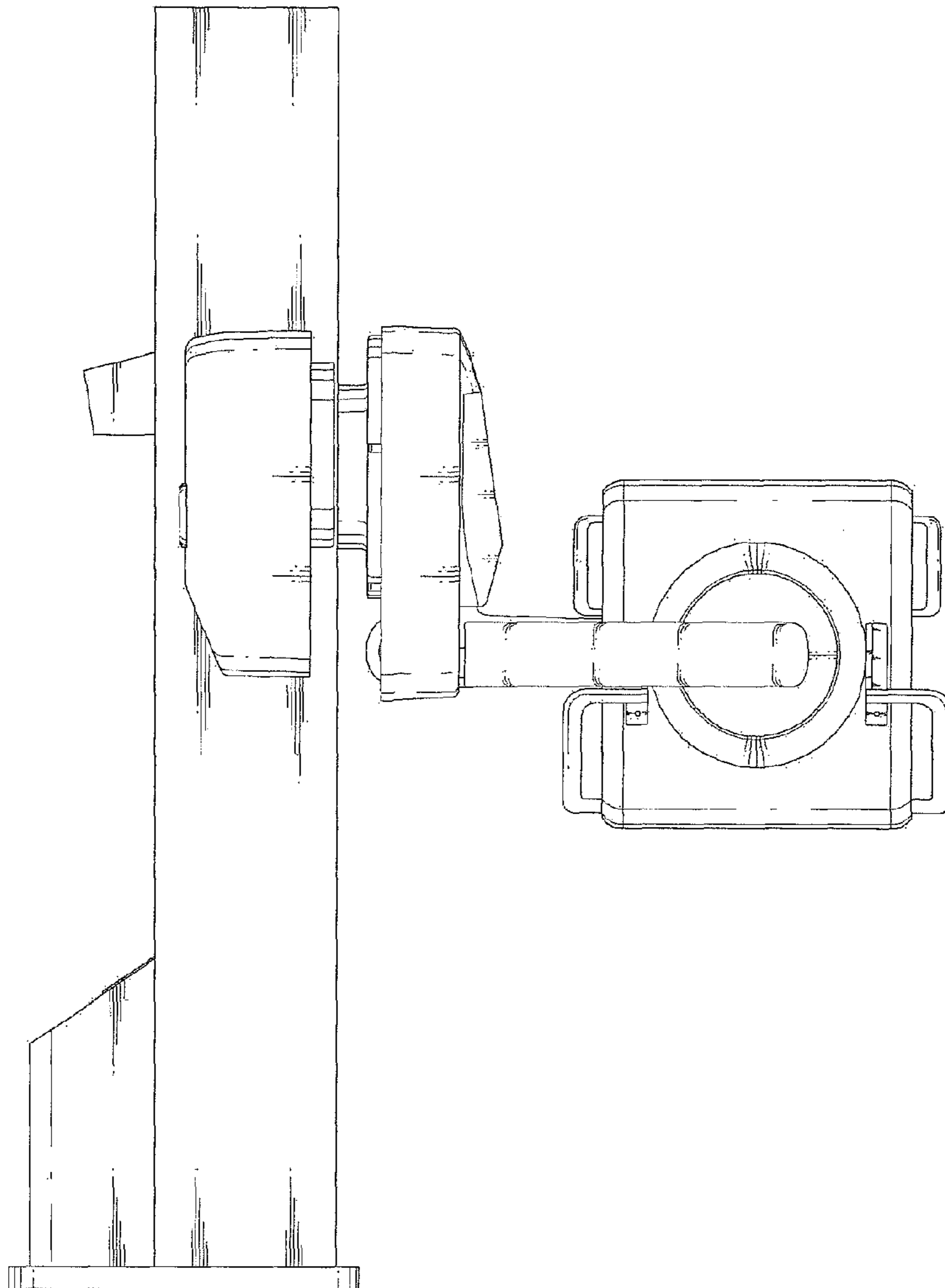


FIG. 5

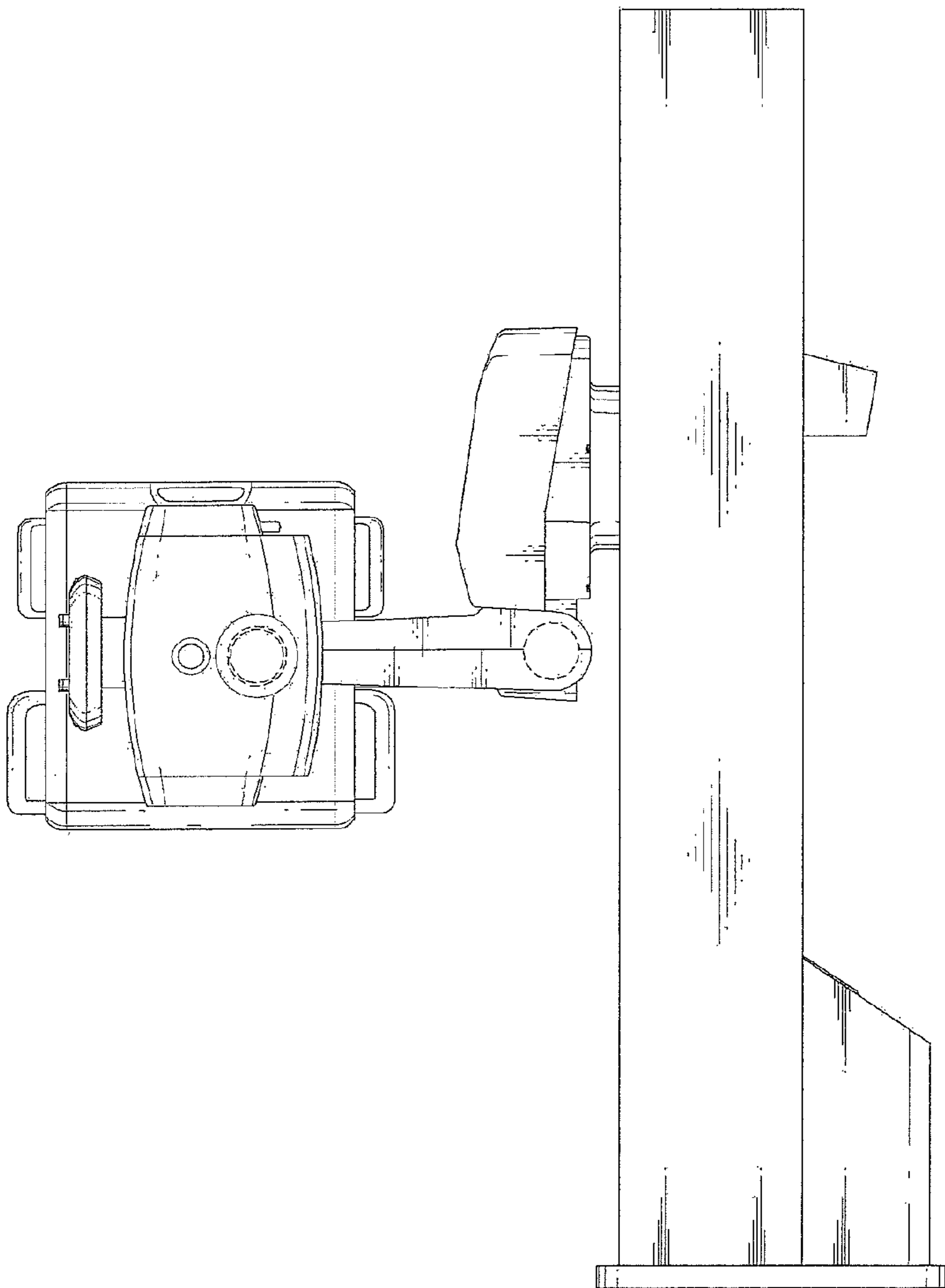


FIG. 6

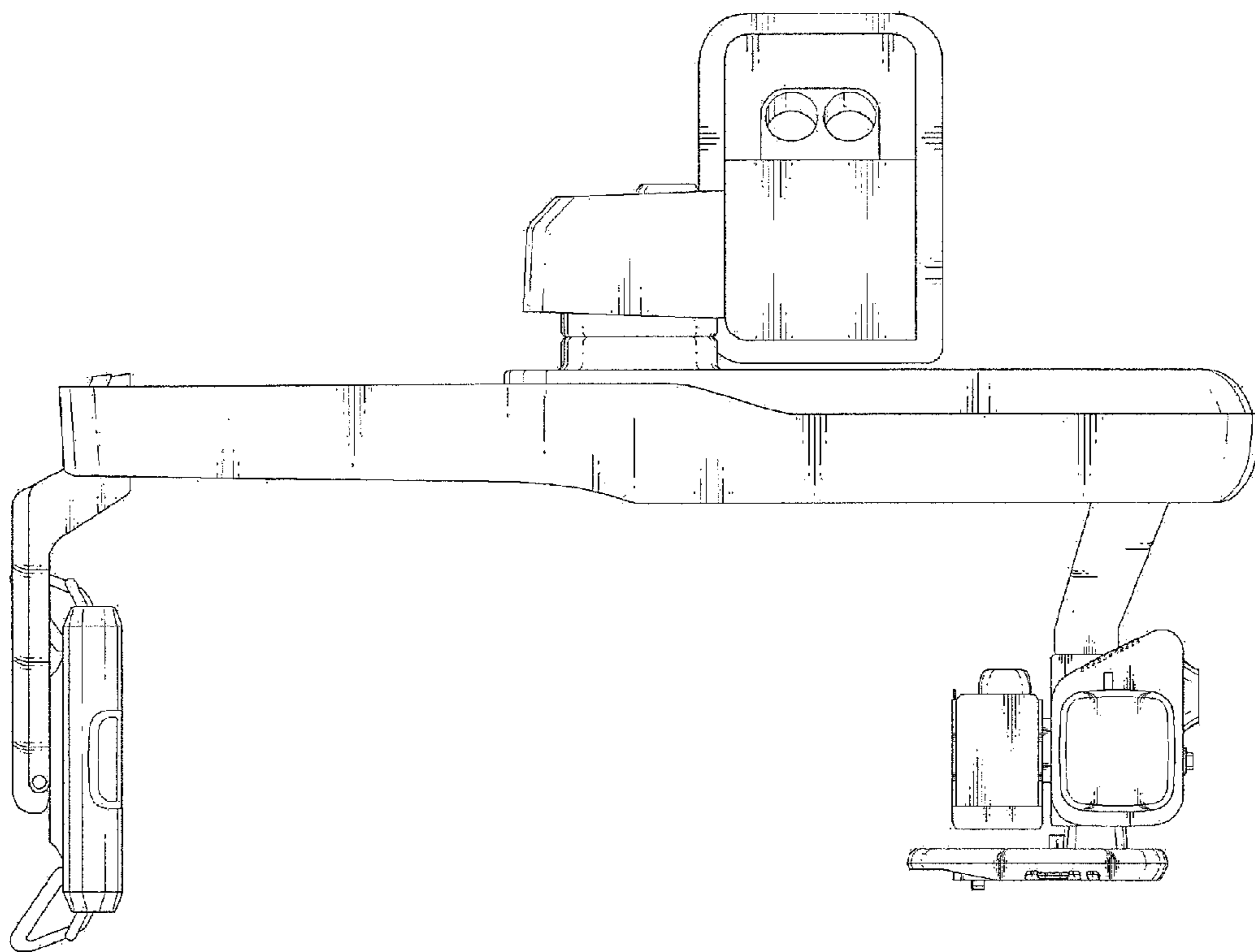


FIG. 7

