



US00D671214S

(12) **United States Design Patent**  
**Funakoshi**

(10) **Patent No.:** **US D671,214 S**

(45) **Date of Patent:** **\*\* Nov. 20, 2012**

(54) **ENDOSCOPE**

(75) Inventor: **Yasuo Funakoshi**, Tokyo (JP)

(73) Assignee: **Olympus Corporation**, Tokyo (JP)

(\*\*) Term: **14 Years**

(21) Appl. No.: **29/412,275**

(22) Filed: **Feb. 1, 2012**

(30) **Foreign Application Priority Data**

Aug. 8, 2011 (JP) ..... 2011-018145

(51) **LOC (9) Cl.** ..... **24-02**

(52) **U.S. Cl.** ..... **D24/138**

(58) **Field of Classification Search** ..... D24/138,  
D24/137, 133; 600/101-183

See application file for complete search history.

(56) **References Cited**

**U.S. PATENT DOCUMENTS**

D286,814 S *	11/1986	Brainard et al. ....	D24/137
D358,471 S *	5/1995	Cope et al. ....	D24/137
D453,964 S *	2/2002	Morrell et al. ....	D24/138
D533,939 S *	12/2006	Root et al. ....	D24/138
D594,555 S *	6/2009	Hsu ..... ..	D24/137
D599,017 S *	8/2009	Urushihata et al. ....	D24/138
D601,699 S *	10/2009	Urushihata ..... ..	D24/138
8,194,380 B2 *	6/2012	Murata et al. ....	361/111
2004/0054254 A1 *	3/2004	Miyake ..... ..	600/104
2008/0208002 A1 *	8/2008	Maruyama ..... ..	600/131

2011/0066979 A1 *	3/2011	Matsui ..... ..	715/823
2011/0172490 A1 *	7/2011	Ishikawa ..... ..	600/102
2011/0243323 A1 *	10/2011	Sato ..... ..	380/200

**OTHER PUBLICATIONS**

U.S. Appl. No. 29/412,270, filed Feb. 1, 2012, Yasuo Funakoshi, entitled: Endoscope.

\* cited by examiner

*Primary Examiner* — Bridget L Eland

(74) *Attorney, Agent, or Firm* — Holtz, Holtz, Goodman & Chick, PC

(57) **CLAIM**

The ornamental design for an endoscope, as shown and described.

**DESCRIPTION**

FIG. 1 is a perspective view of an endoscope.  
 FIG. 2 is a front elevation view thereof.  
 FIG. 3 is a rear elevation view thereof.  
 FIG. 4 is a left side elevation view thereof.  
 FIG. 5 is a right side elevation view thereof.  
 FIG. 6 is a top plan view thereof.  
 FIG. 7 is a bottom plan view thereof.  
 FIG. 8 is an enlarged end view thereof taken along line 8-8 in FIG. 5, which omits the internal structure; and,  
 FIG. 9 is an enlarged end view thereof taken along line 9-9 in FIG. 5, which omits the internal structure.  
 The break in the tube shown in FIGS. 1-7 is to indicate that no particular length is claimed.

**1 Claim, 9 Drawing Sheets**

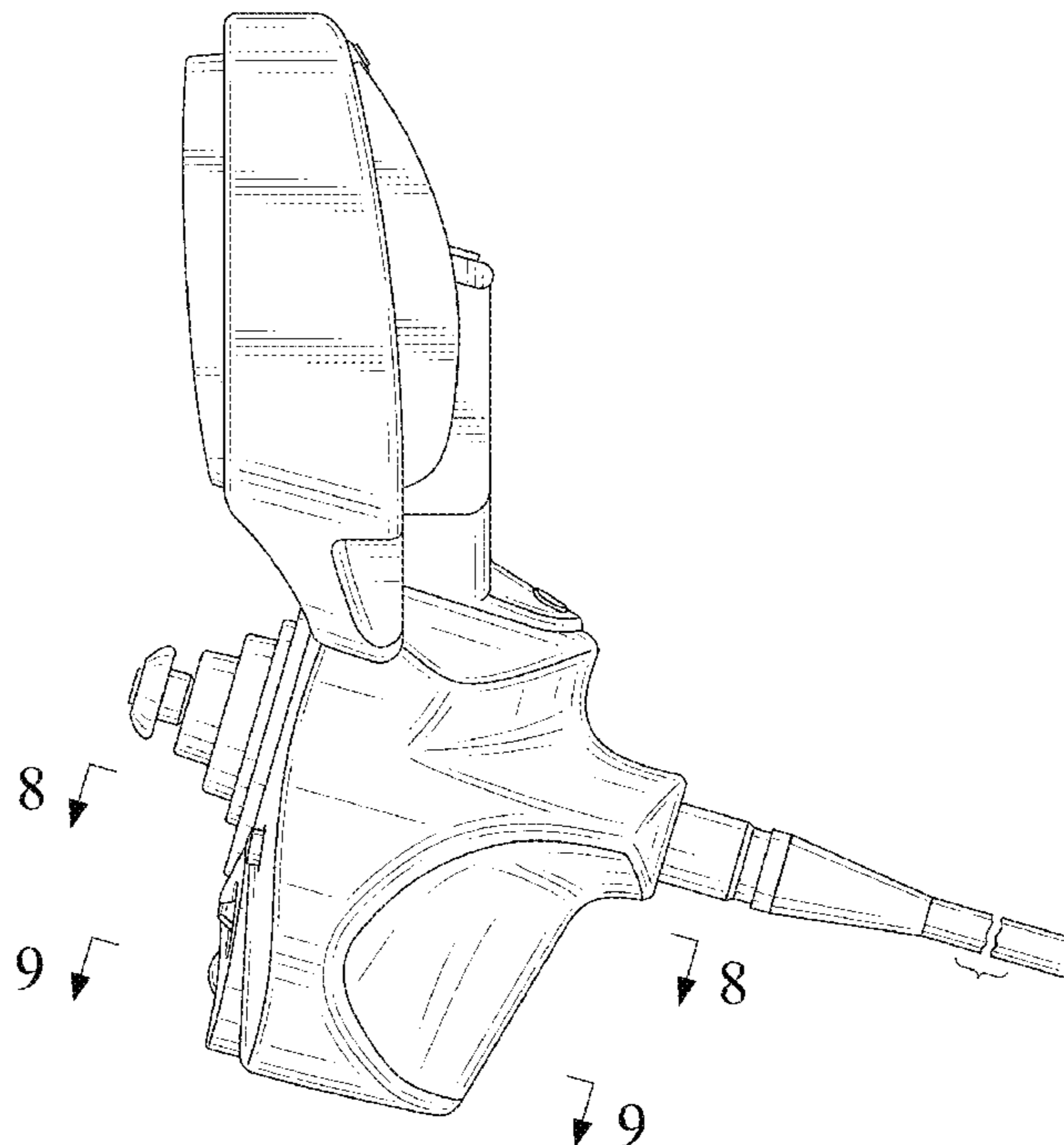
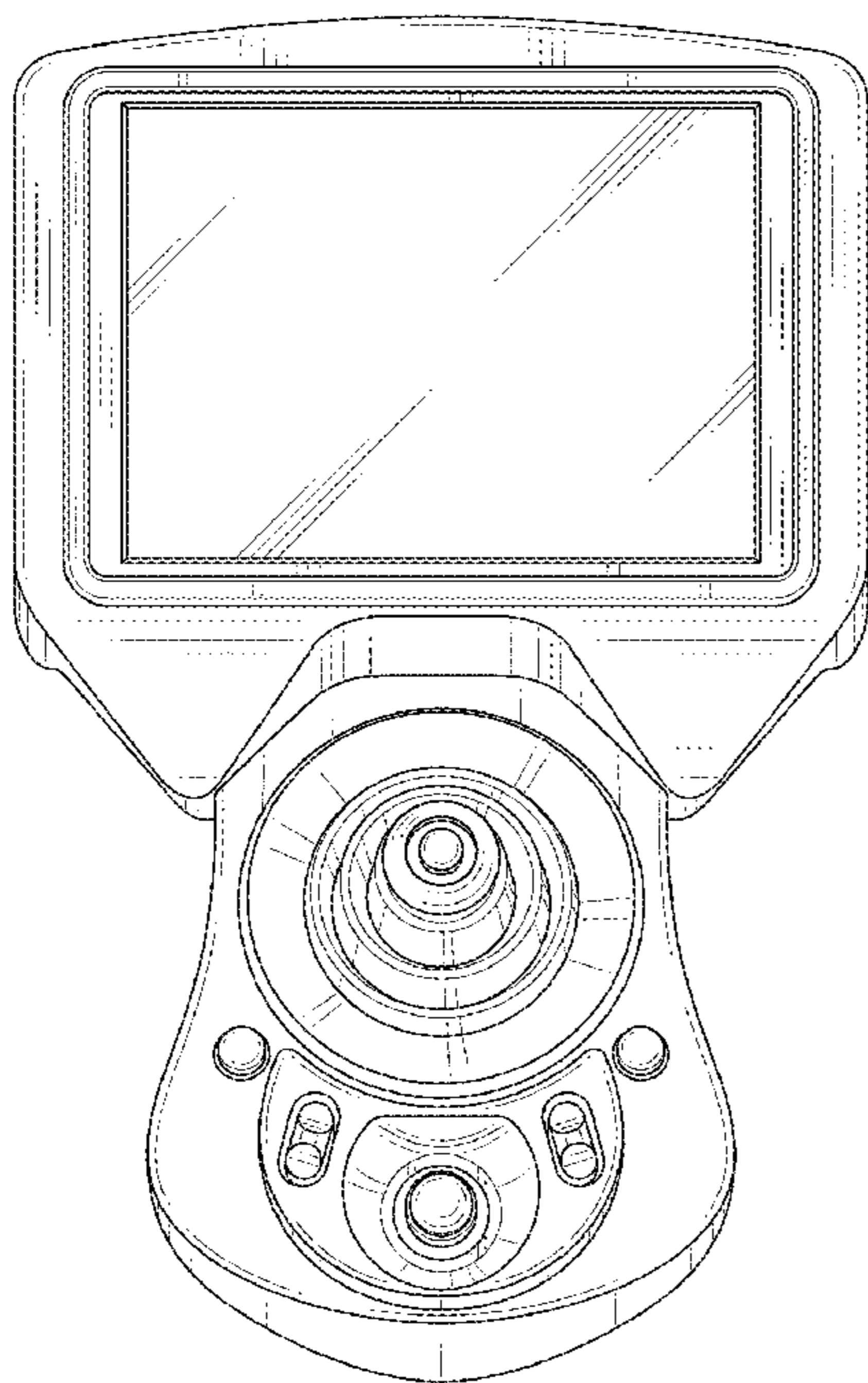


FIG. 1

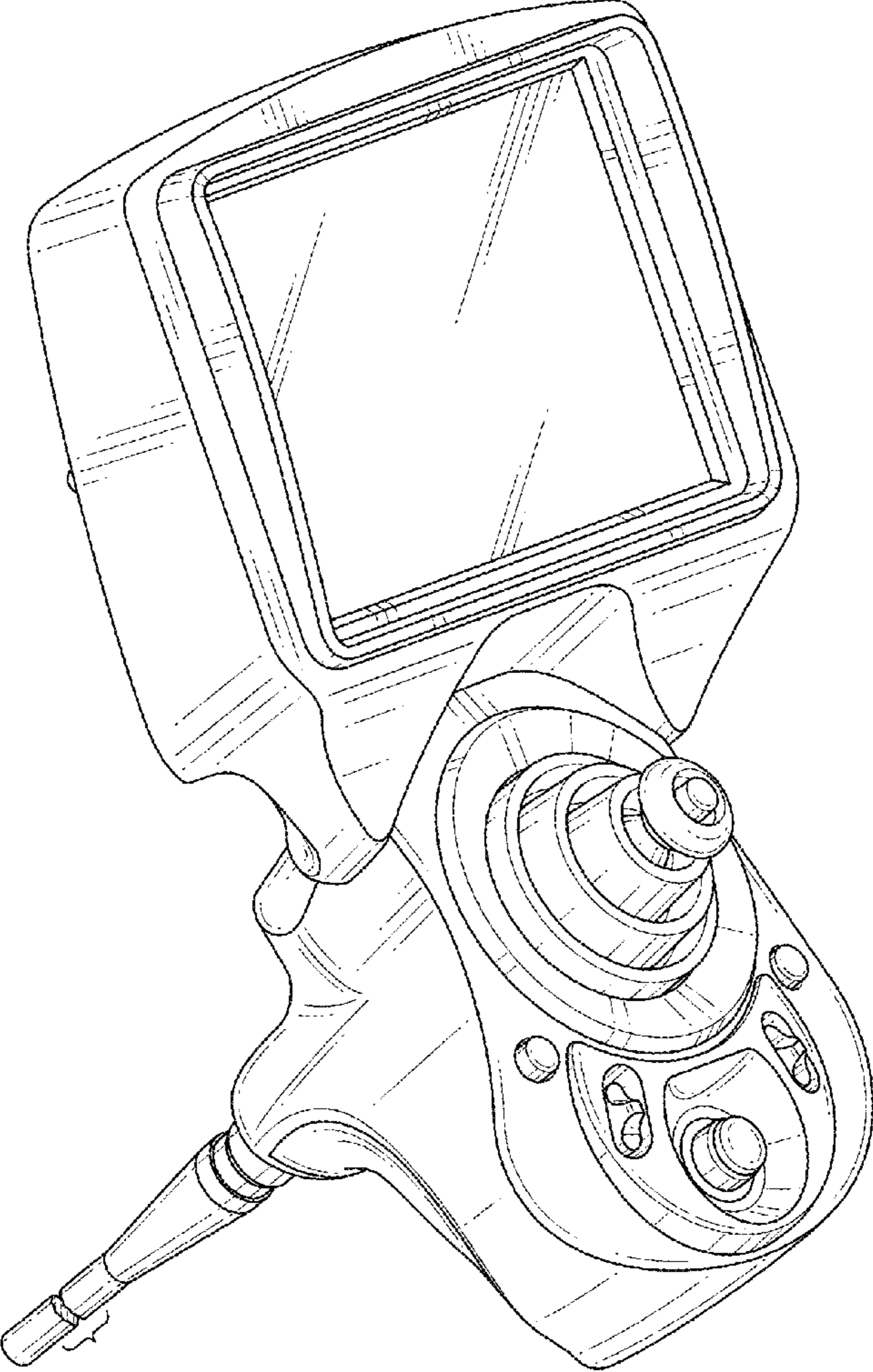


FIG. 2

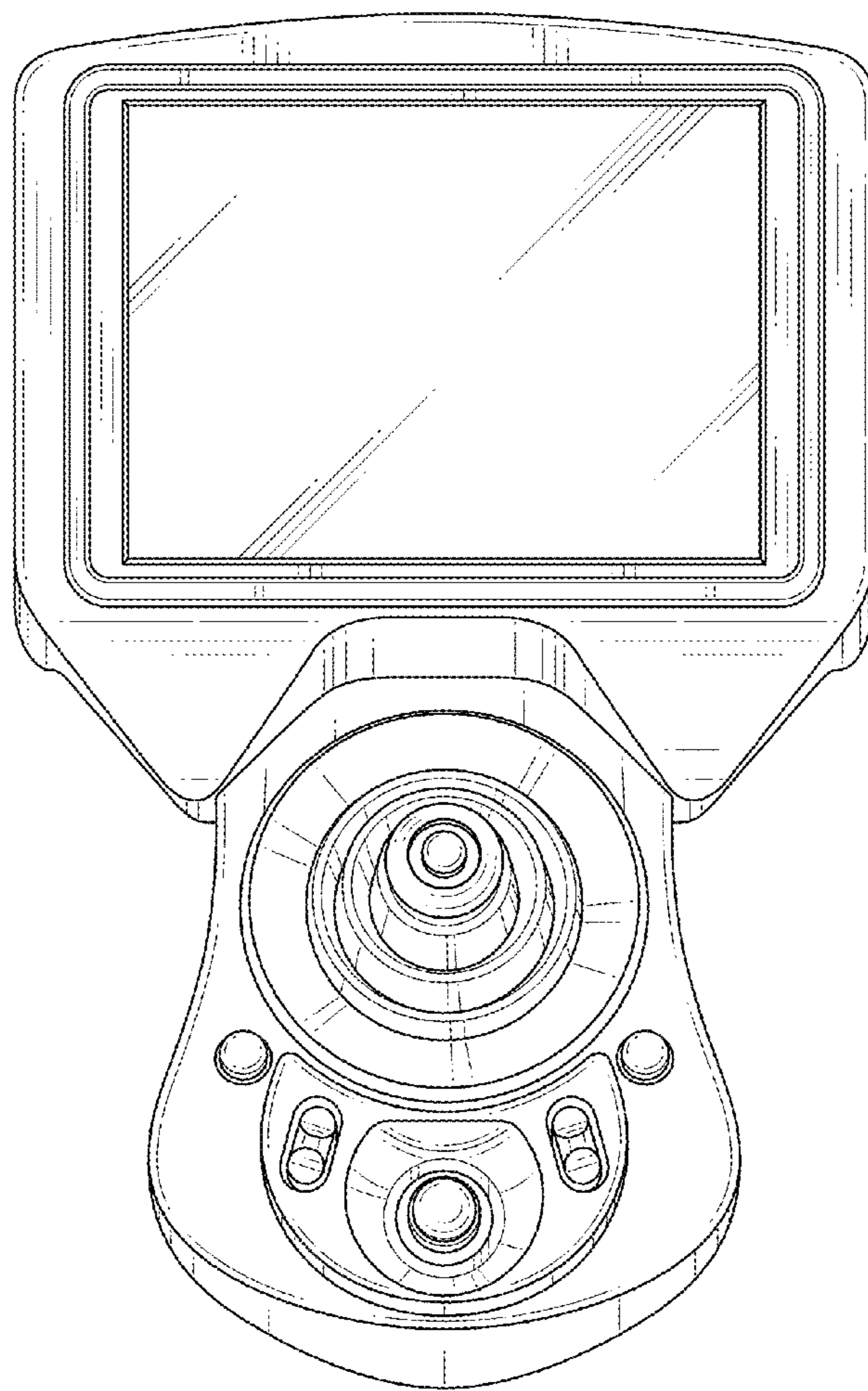


FIG. 3

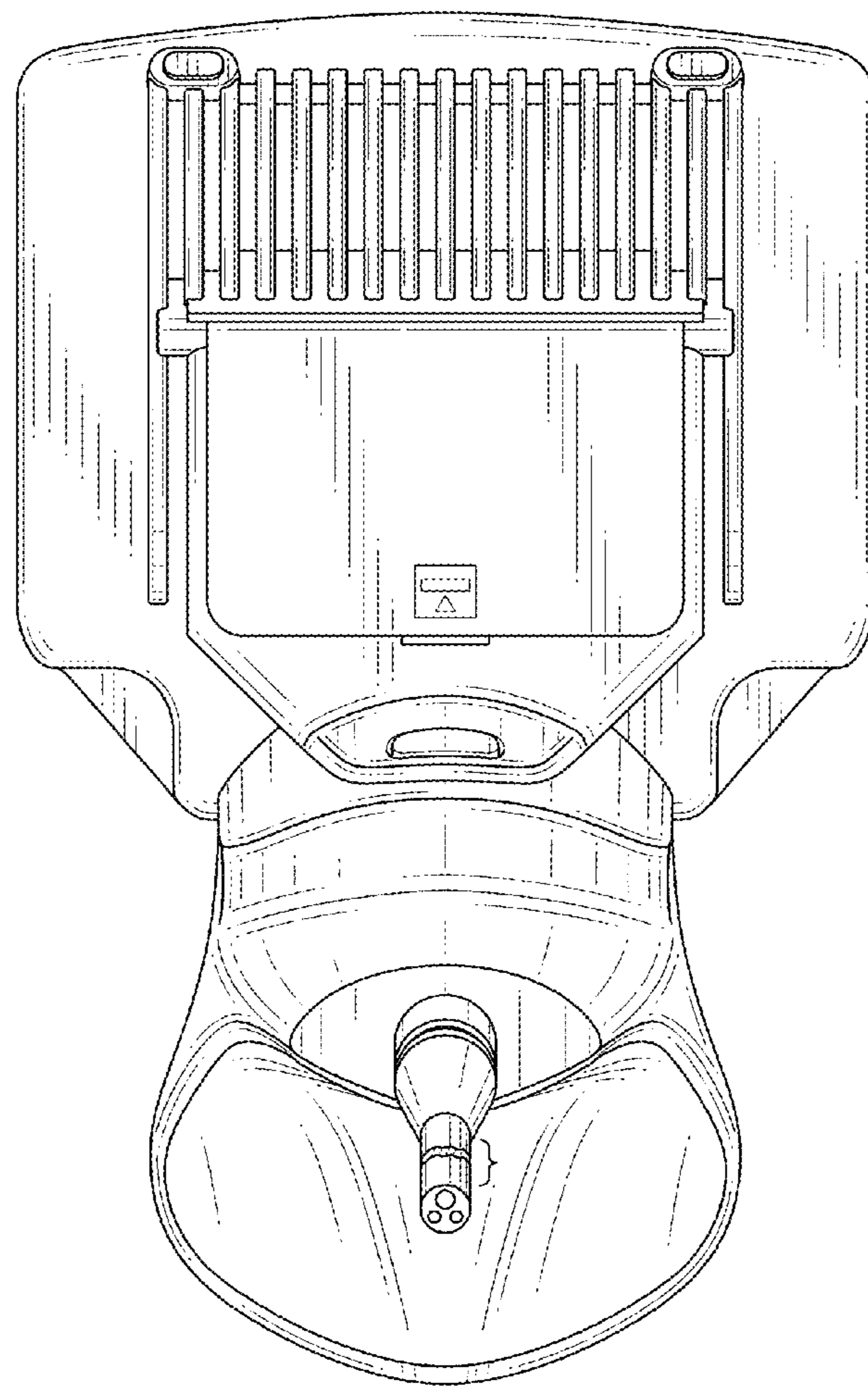


FIG. 4

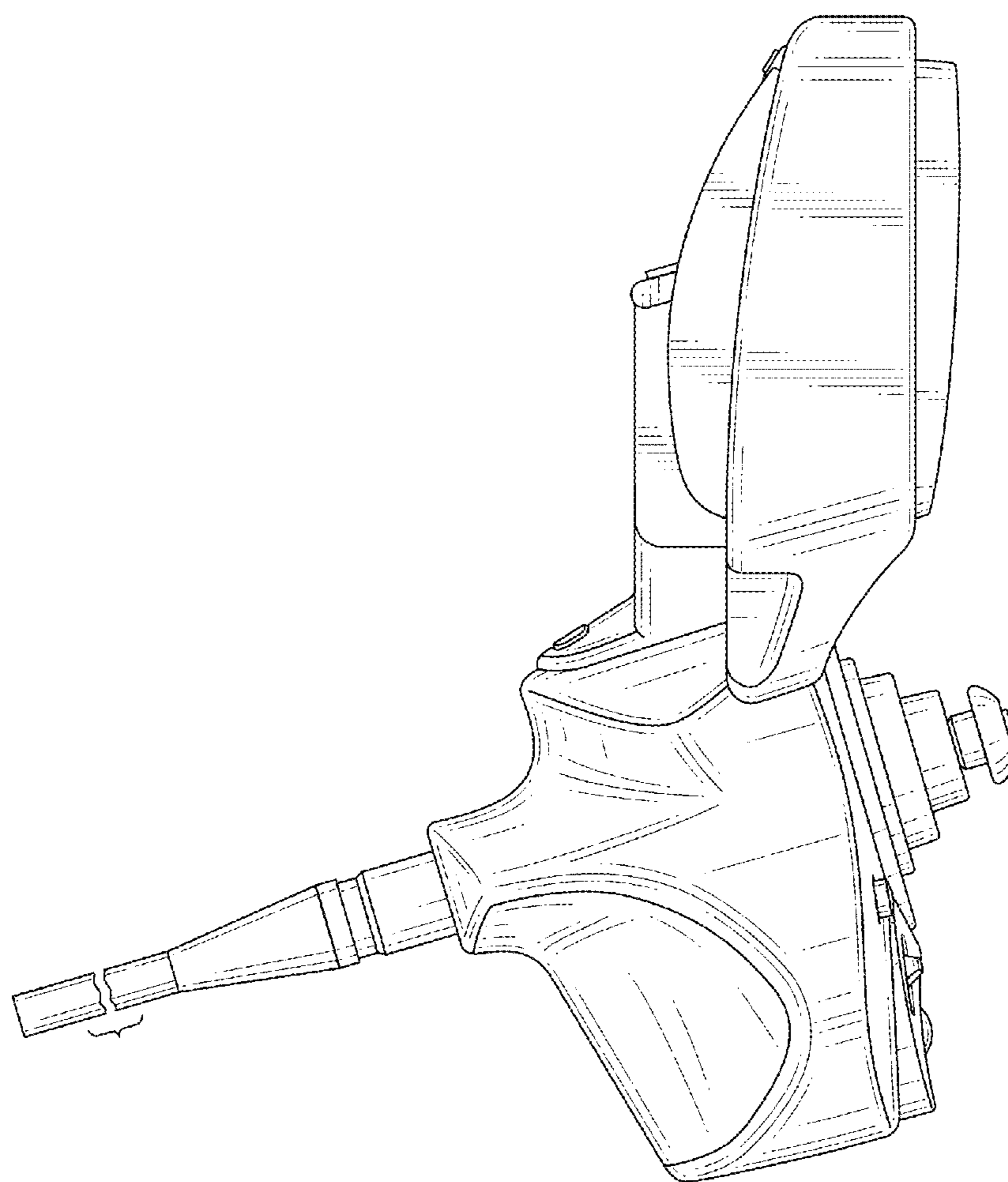


FIG. 5

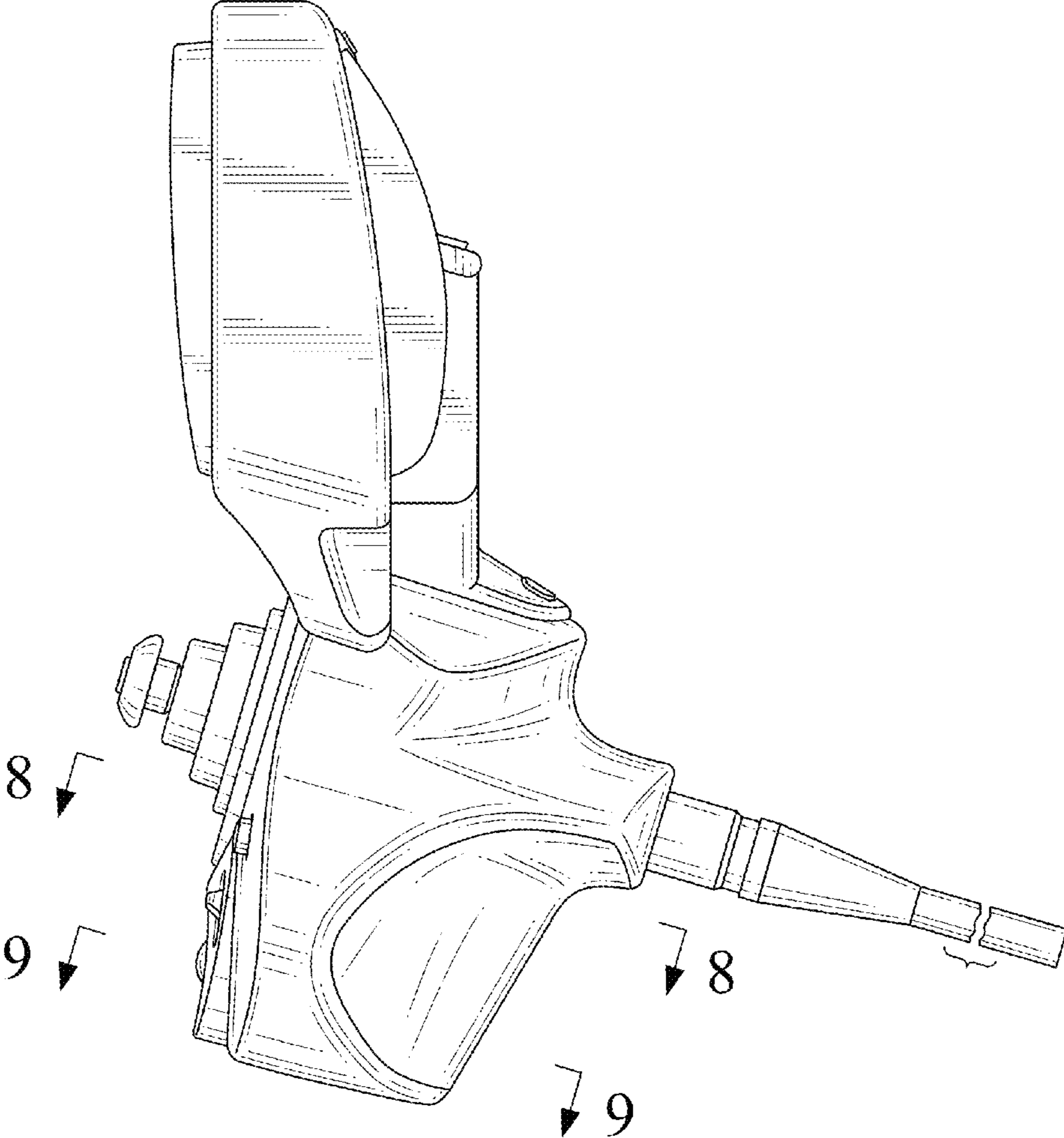


FIG. 6

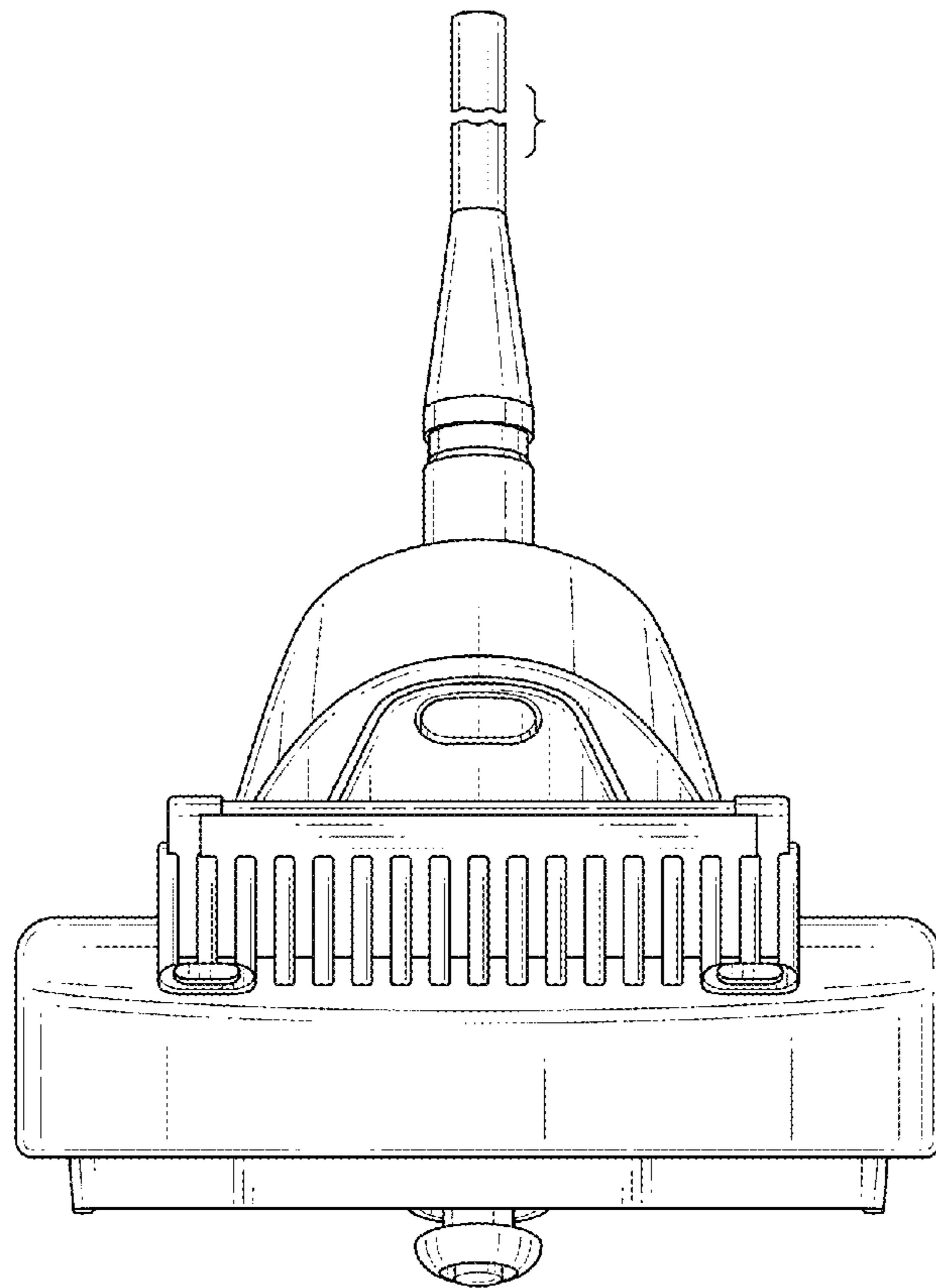


FIG. 7

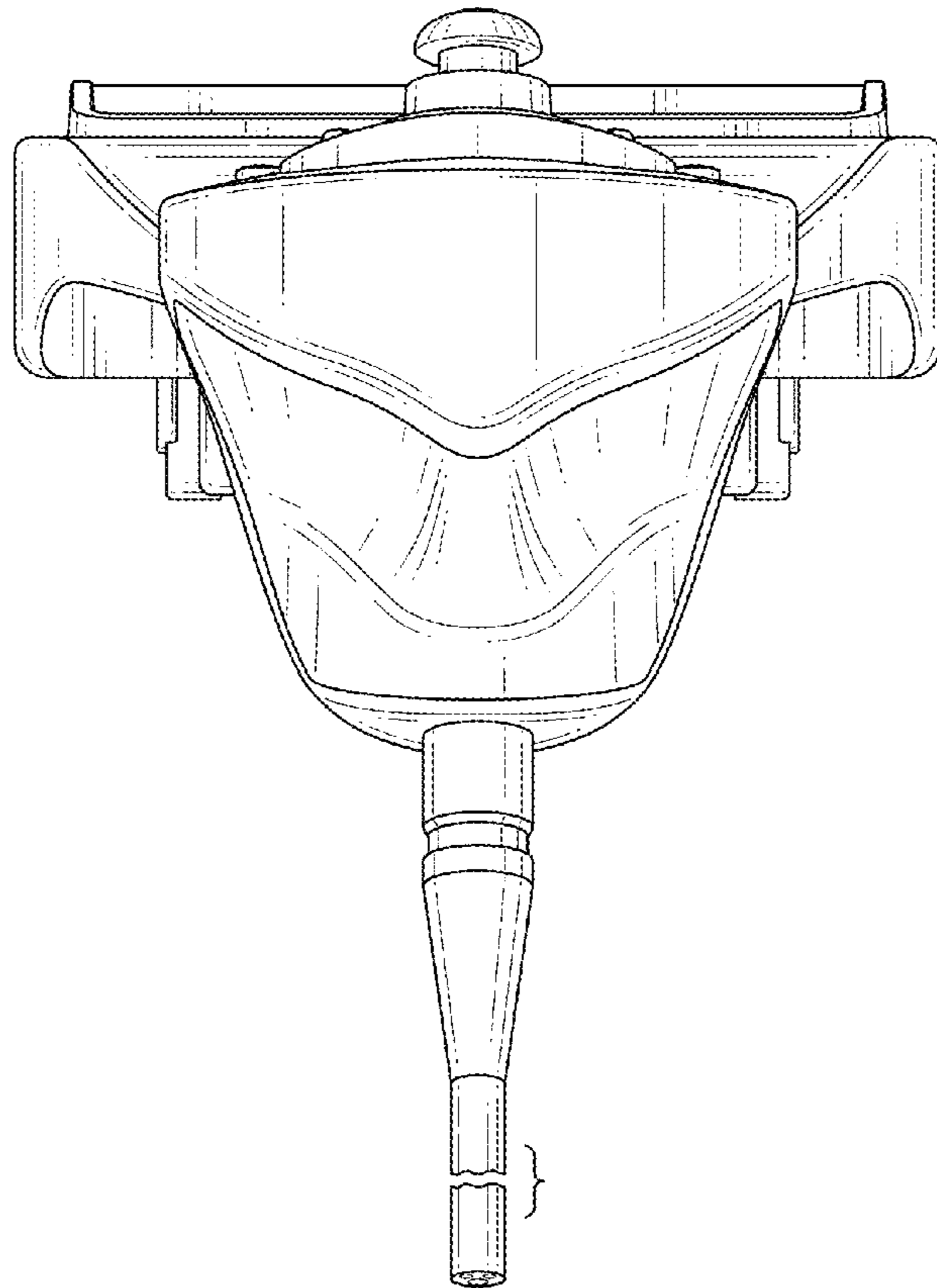




FIG. 8

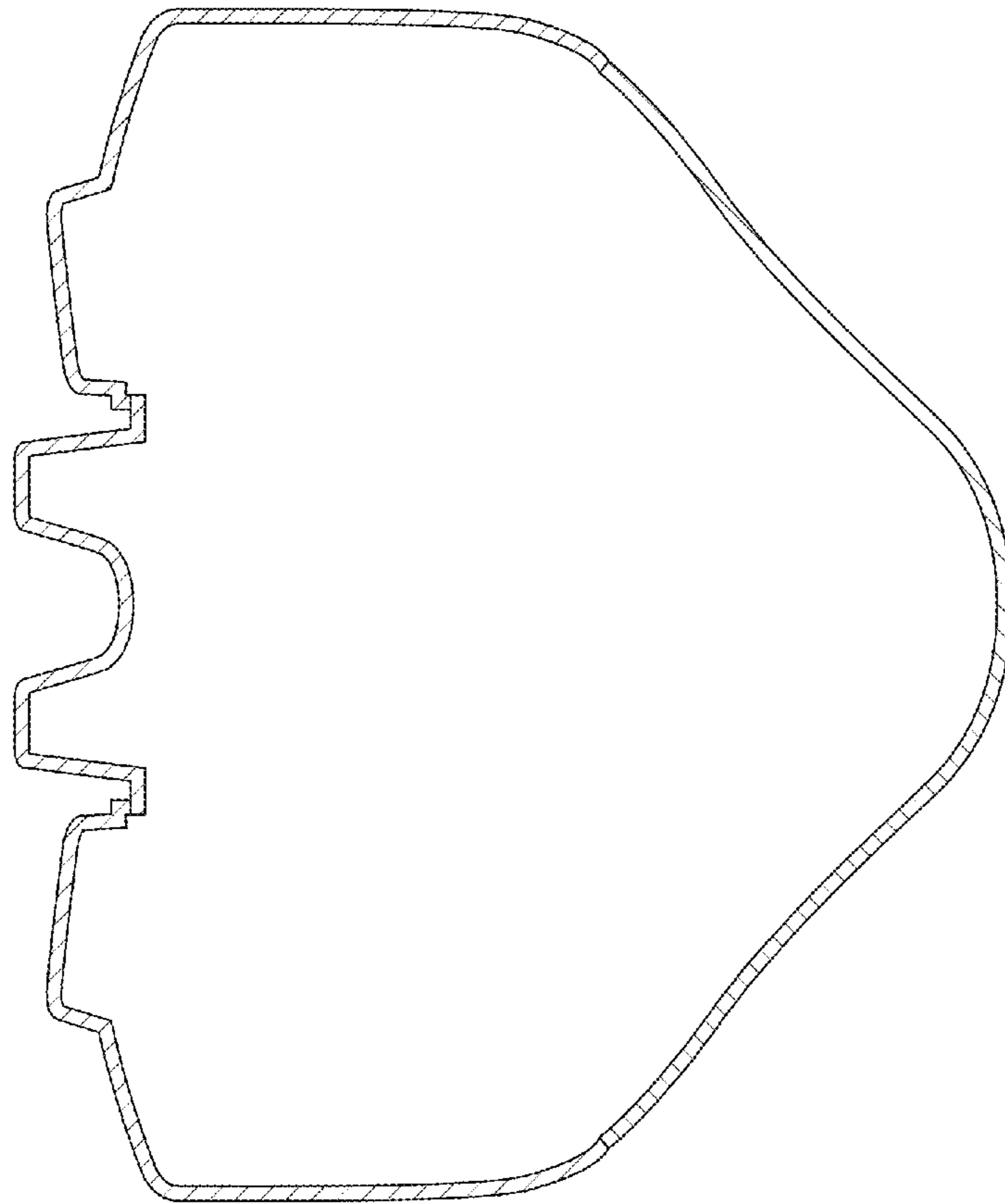


FIG. 9

