



US00D671213S

(12) **United States Design Patent**
Funakoshi

(10) **Patent No.:** **US D671,213 S**
(45) **Date of Patent:** **** Nov. 20, 2012**

(54) **ENDOSCOPE**

(75) Inventor: **Yasuo Funakoshi**, Tokyo (JP)

(73) Assignee: **Olympus Corporation**, Tokyo (JP)

(**) Term: **14 Years**

(21) Appl. No.: **29/412,270**

(22) Filed: **Feb. 1, 2012**

(30) **Foreign Application Priority Data**

Aug. 8, 2011 (JP) 2011-018146

(51) **LOC (9) Cl.** **24-02**

(52) **U.S. Cl.** **D24/138**

(58) **Field of Classification Search** D24/138,
D24/137, 133; 600/101-183

See application file for complete search history.

(56) **References Cited**

U.S. PATENT DOCUMENTS

D286,814	S	*	11/1986	Brainard et al.	D24/137
D453,964	S	*	2/2002	Morrell et al.	D24/138
D533,939	S	*	12/2006	Root et al.	D24/138
D594,555	S	*	6/2009	Hsu	D24/137
D594,983	S	*	6/2009	Price et al.	D24/145
D599,017	S	*	8/2009	Urushihata et al.	D24/138
D601,699	S	*	10/2009	Urushihata	D24/138
8,194,380	B2	*	6/2012	Murata et al.	361/111
2004/0054254	A1	*	3/2004	Miyake	600/104
2008/0208002	A1	*	8/2008	Maruyama	600/131
2011/0066979	A1	*	3/2011	Matsui	715/823
2011/0172490	A1	*	7/2011	Ishikawa	600/102
2011/0243323	A1	*	10/2011	Sato	380/200

OTHER PUBLICATIONS

U.S. Appl. No. 29/412,275, filed Feb. 1, 2012, Yasuo Funakoshi, entitled: Endoscope.

* cited by examiner

Primary Examiner — Bridget L Eland

(74) *Attorney, Agent, or Firm* — Holtz, Holtz, Goodman & Chick, PC

(57) **CLAIM**

The ornamental design for an endoscope, as shown and described.

DESCRIPTION

FIG. 1 is a perspective view of an endoscope.

FIG. 2 is a front elevation view thereof.

FIG. 3 is a rear elevation view thereof.

FIG. 4 is a left side elevation view thereof.

FIG. 5 is a right side elevation view thereof.

FIG. 6 is a top plan view thereof.

FIG. 7 is a bottom plan view thereof.

FIG. 8 is an enlarged end view thereof taken along line 8-8 in FIG. 5, which omits the internal structure; and,

FIG. 9 is an enlarged end view thereof taken along line 9-9 in FIG. 5, which omits the internal structure.

The portion of the endoscope shown in broken lines is for the purpose of showing environmental structure only and forms no part of the claimed design.

The dash-dot-dash lines represent the boundaries of the claimed design and form no part thereof.

1 Claim, 9 Drawing Sheets

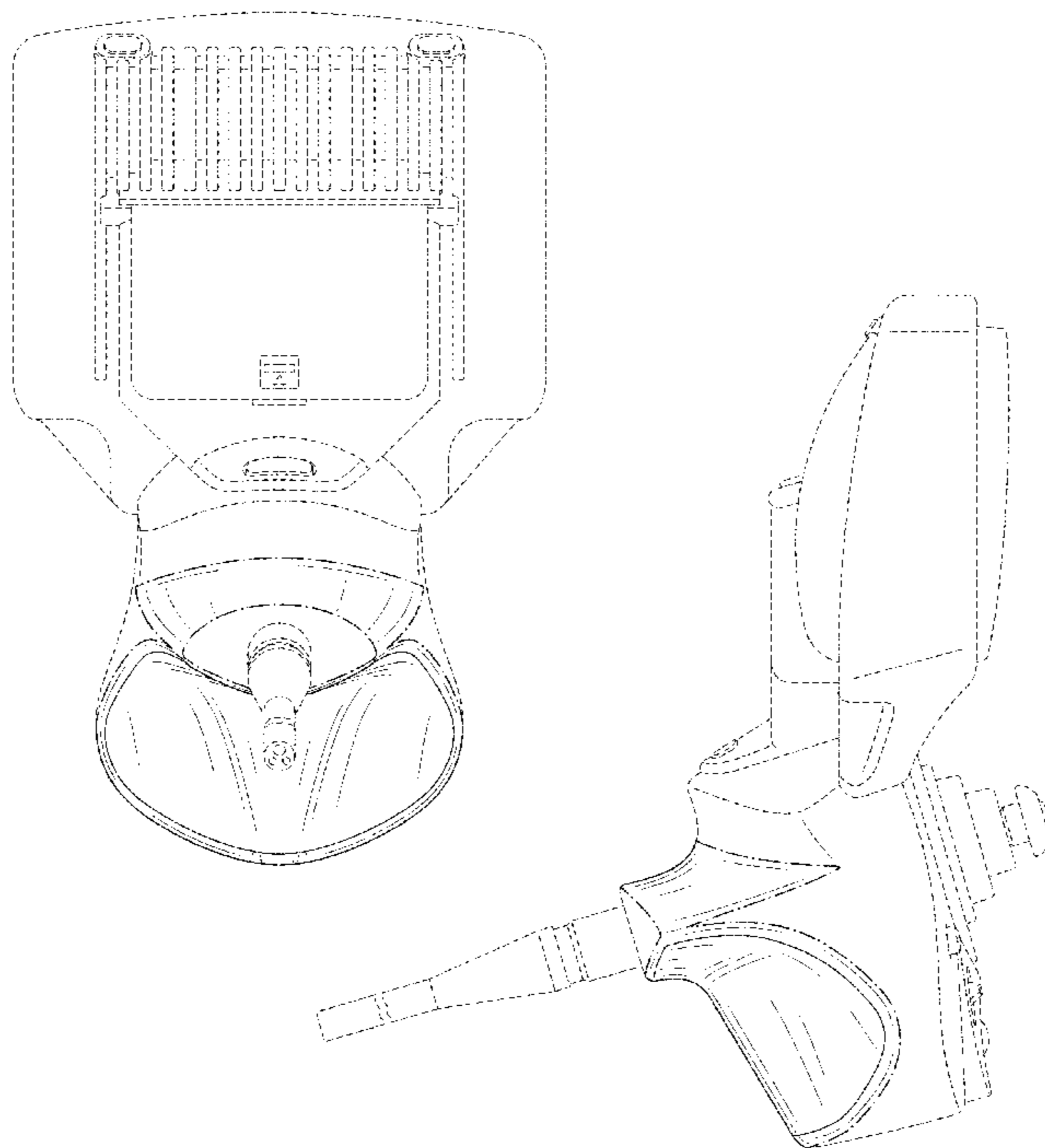


FIG. 1

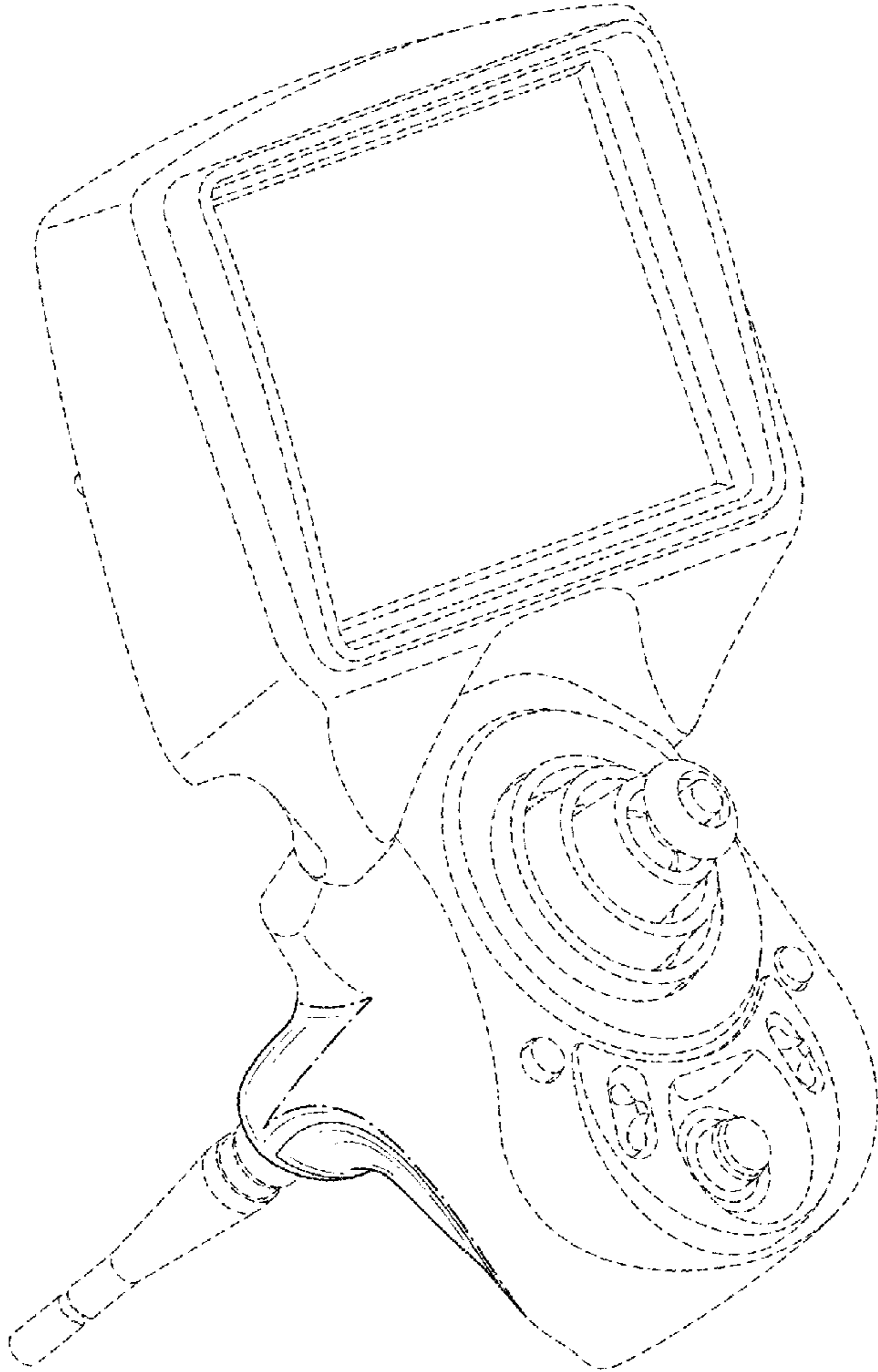


FIG. 2

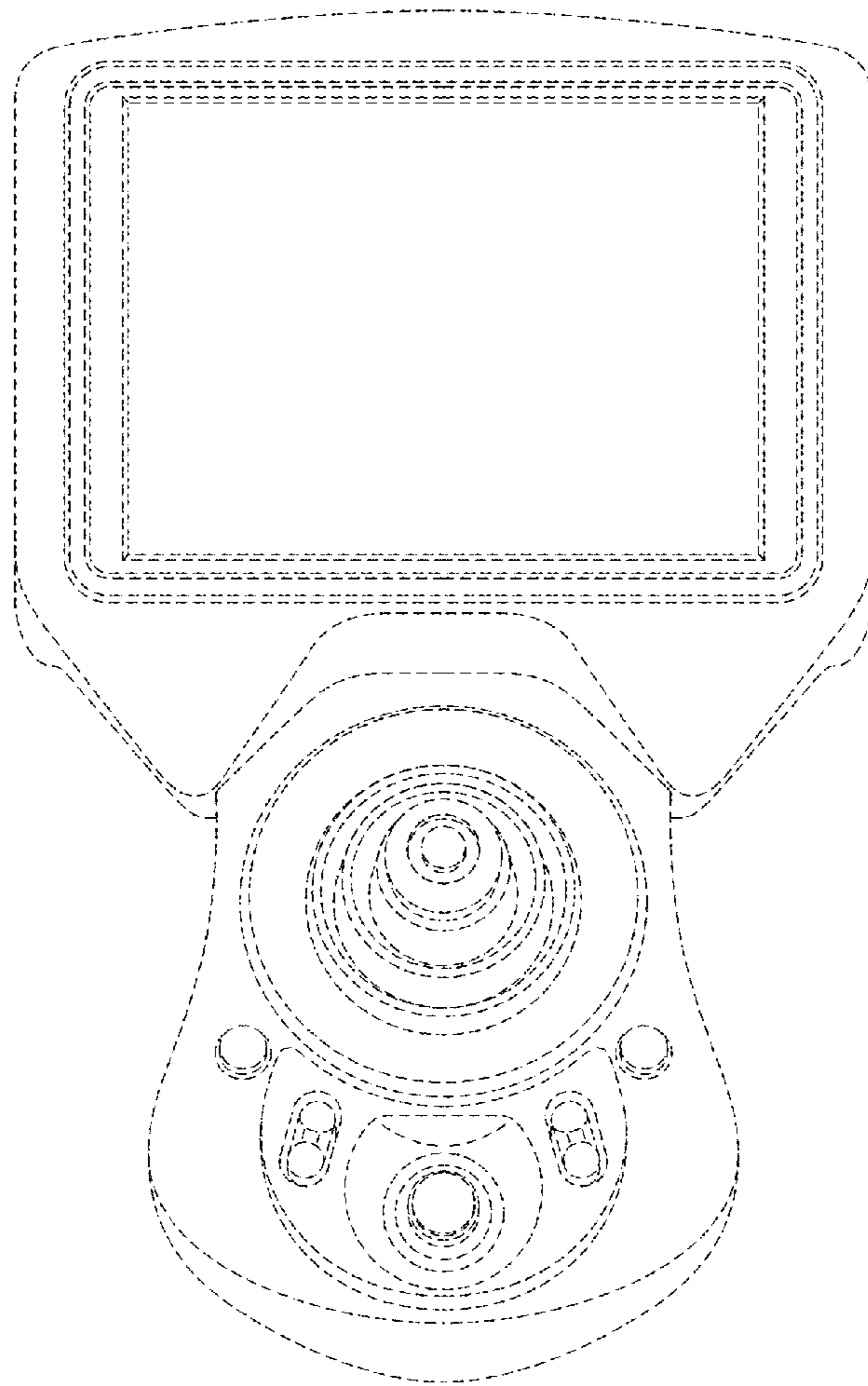


FIG. 3

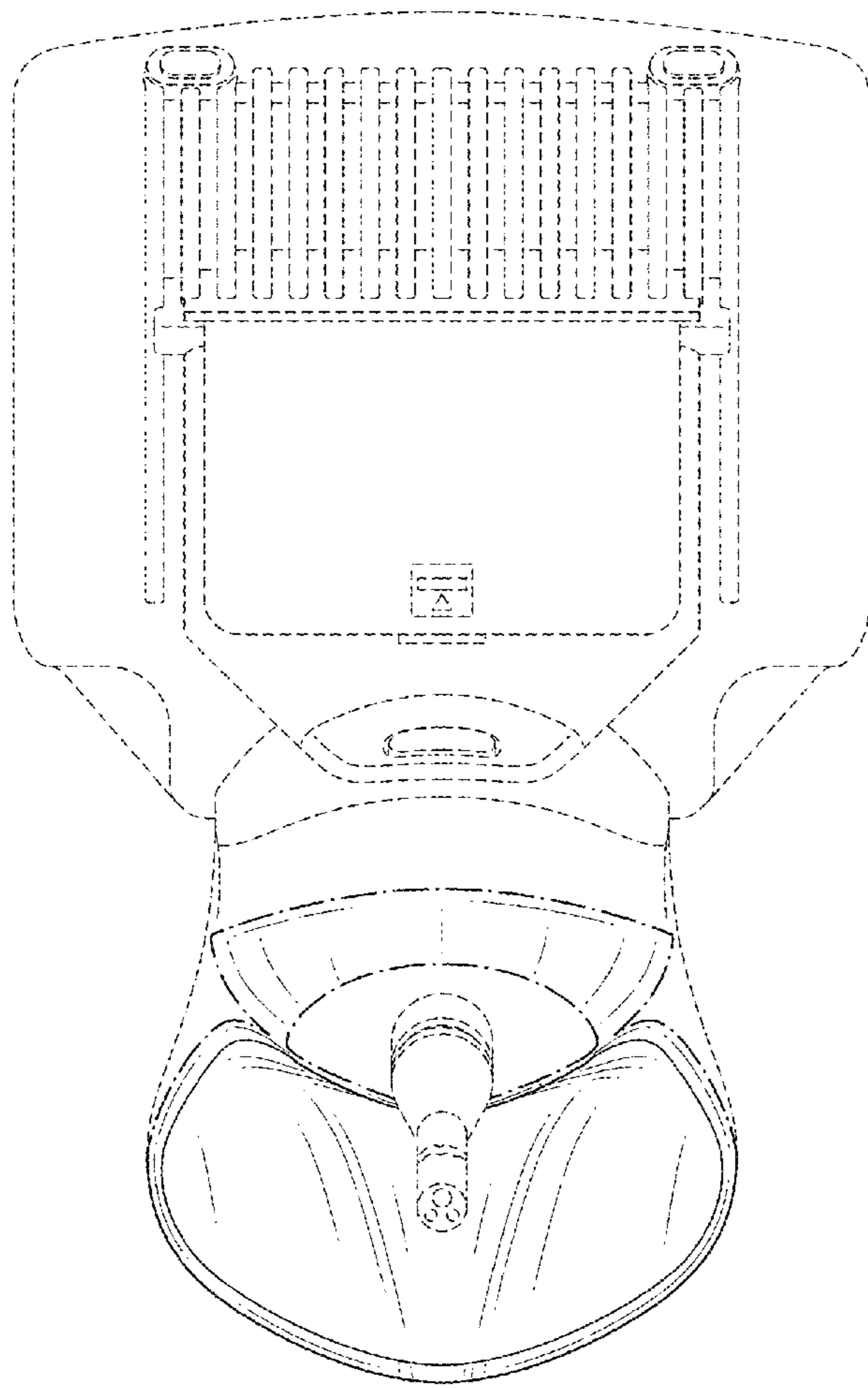


FIG. 4

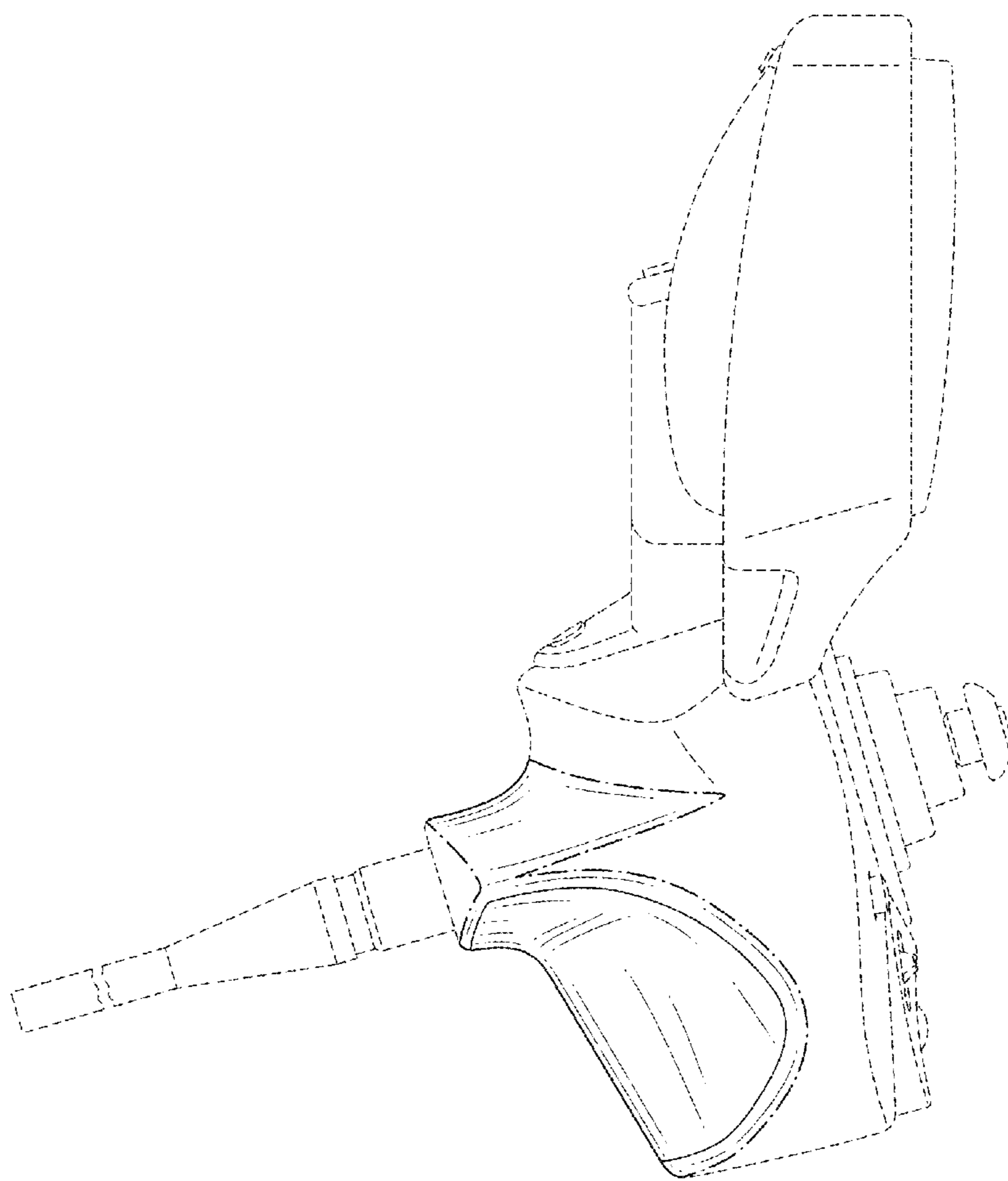


FIG. 5

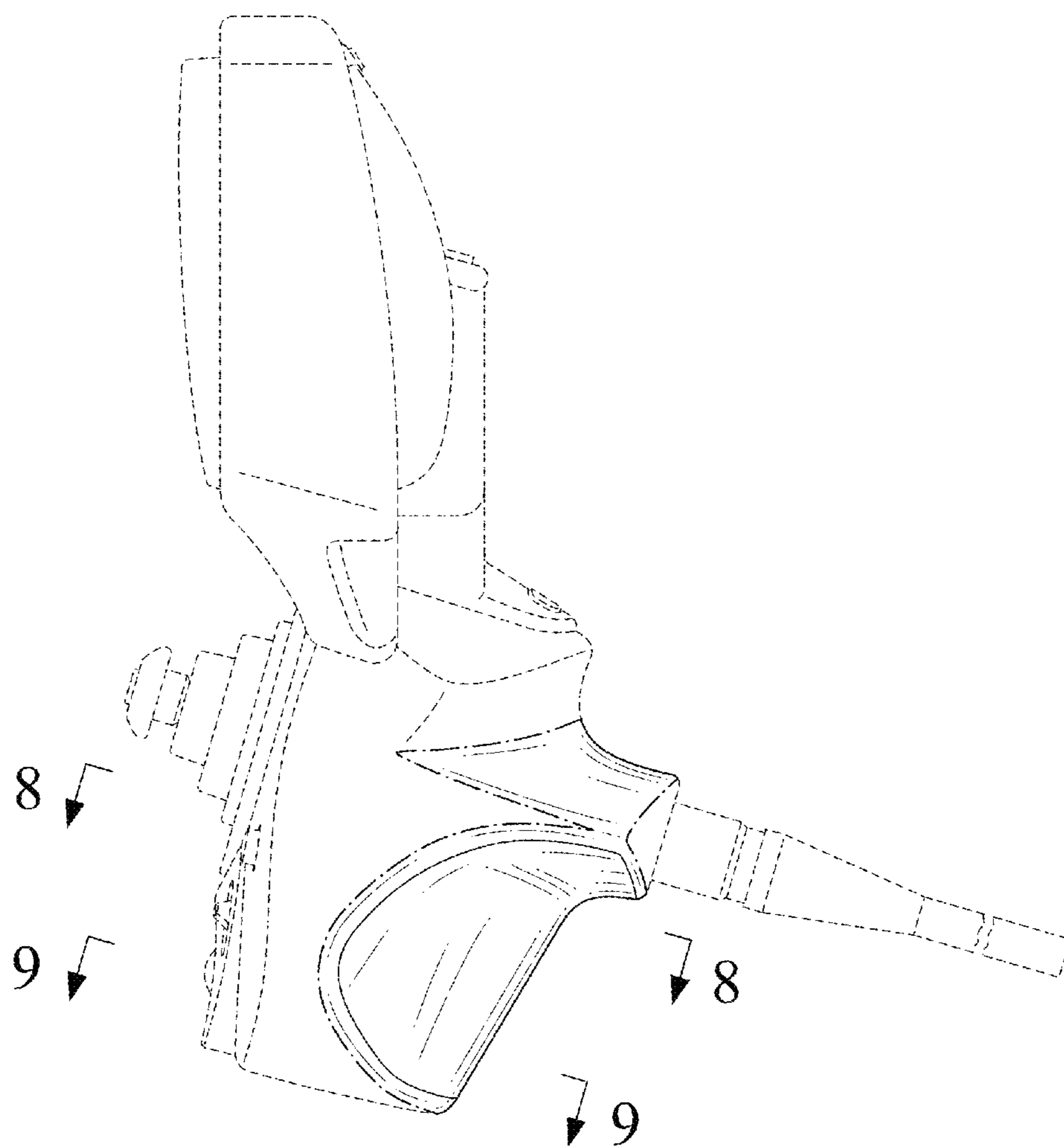


FIG. 6

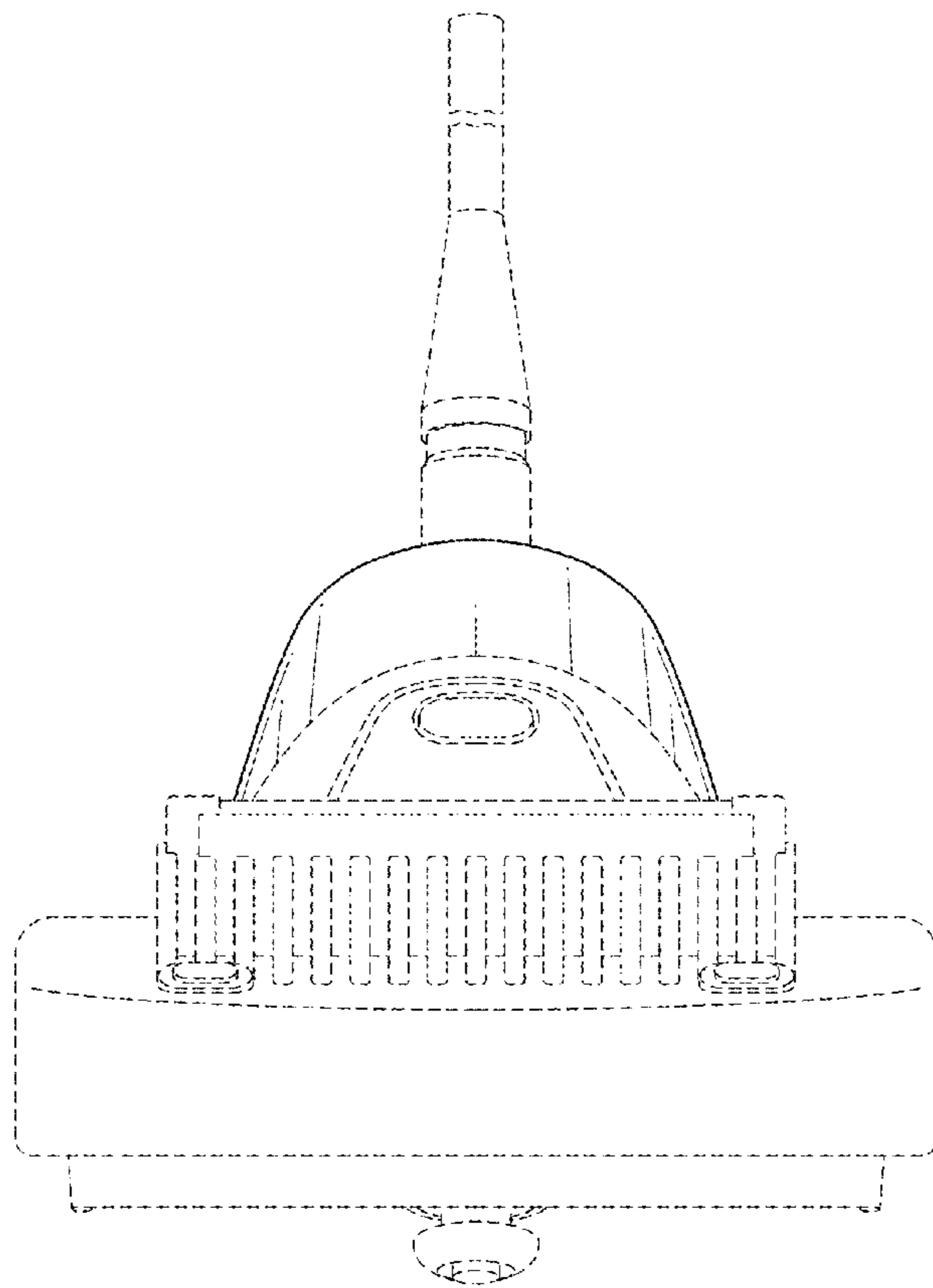


FIG. 7

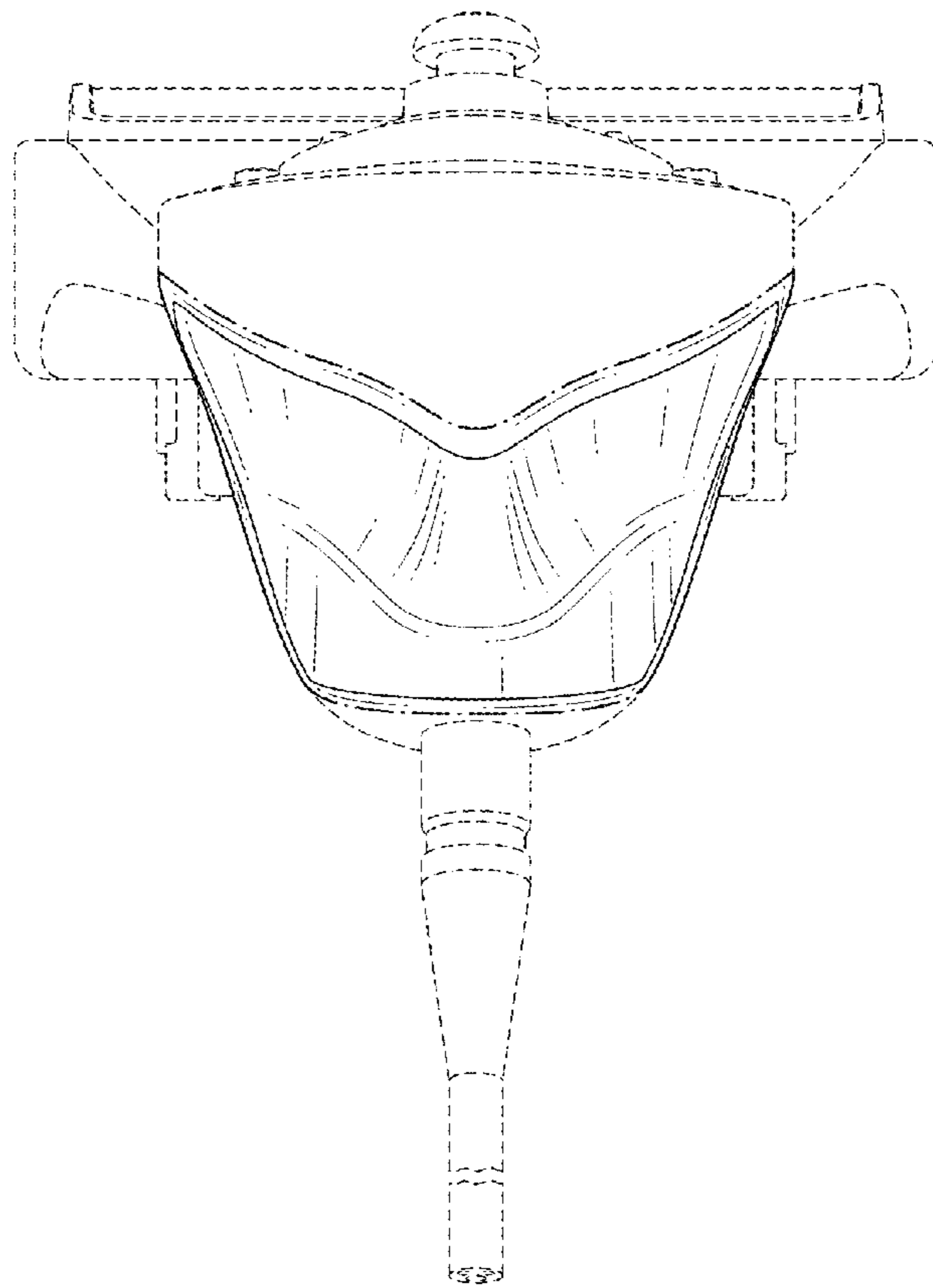


FIG. 8

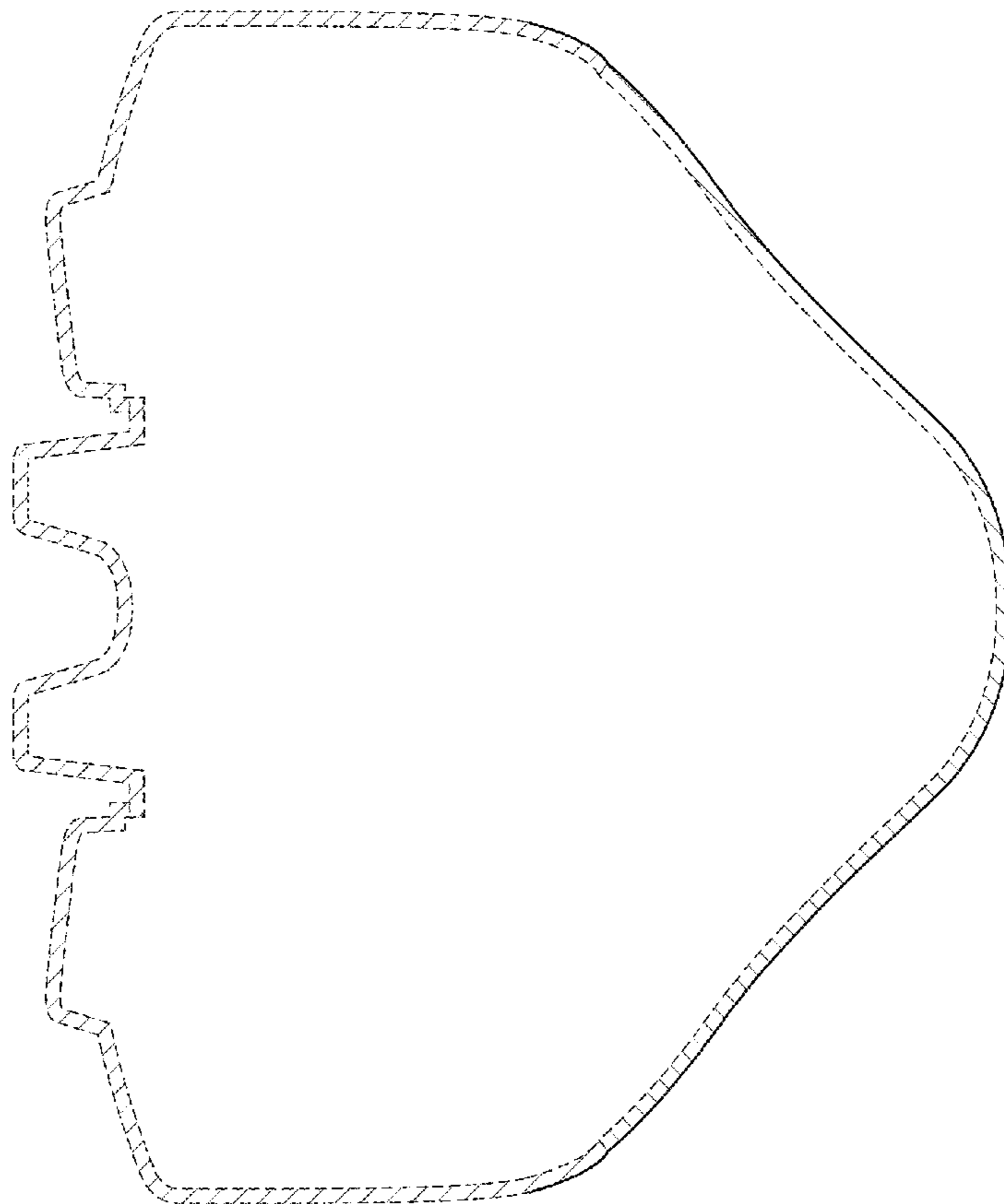


FIG. 9

