



US00D671211S

(12) **United States Design Patent**
Osada et al.

(10) **Patent No.:** **US D671,211 S**

(45) **Date of Patent:** **** Nov. 20, 2012**

(54) **OPERATION PORTION OF AN ENDOSCOPE**

(75) Inventors: **Reisuke Osada**, Hachioji (JP); **Hiroyuki Kaneko**, Hachioji (JP)

(73) Assignee: **Olympus Medical Systems Corp.**,
Tokyo (JP)

(**) Term: **14 Years**

(21) Appl. No.: **29/389,208**

(22) Filed: **Apr. 7, 2011**

(30) **Foreign Application Priority Data**

Feb. 9, 2011 (JP) 2011-002777

(51) **LOC (9) Cl.** **24-02**

(52) **U.S. Cl.** **D24/138**

(58) **Field of Classification Search** D24/138,
D24/137, 133; 600/101-183

See application file for complete search history.

(56) **References Cited**

U.S. PATENT DOCUMENTS

| | | | | |
|--------------|------|---------|-----------------|---------|
| 3,897,775 | A * | 8/1975 | Furihata | 600/131 |
| 5,681,263 | A * | 10/1997 | Flesch | 600/141 |
| D405,883 | S * | 2/1999 | Emerson et al. | D24/133 |
| 6,464,633 | B1 * | 10/2002 | Hosoda et al. | 600/178 |
| D564,093 | S * | 3/2008 | Marchand et al. | D24/133 |
| D581,052 | S * | 11/2008 | Root et al. | D24/138 |
| 8,152,715 | B2 * | 4/2012 | Root et al. | 600/131 |
| 2002/0103419 | A1 * | 8/2002 | Christopher | 600/156 |

| | | | | |
|--------------|------|---------|----------------|---------|
| 2003/0028182 | A1 * | 2/2003 | Abboud et al. | 606/21 |
| 2009/0076332 | A1 * | 3/2009 | Iwasaki et al. | 600/168 |
| 2009/0264701 | A1 * | 10/2009 | Ito | 600/101 |
| 2010/0268027 | A1 * | 10/2010 | Aono et al. | 600/109 |
| 2011/0230716 | A1 * | 9/2011 | Fujimoto | 600/121 |

* cited by examiner

Primary Examiner — Bridget L Eland

(74) *Attorney, Agent, or Firm* — Scully, Scott, Murphy & Presser, P.C.

(57) **CLAIM**

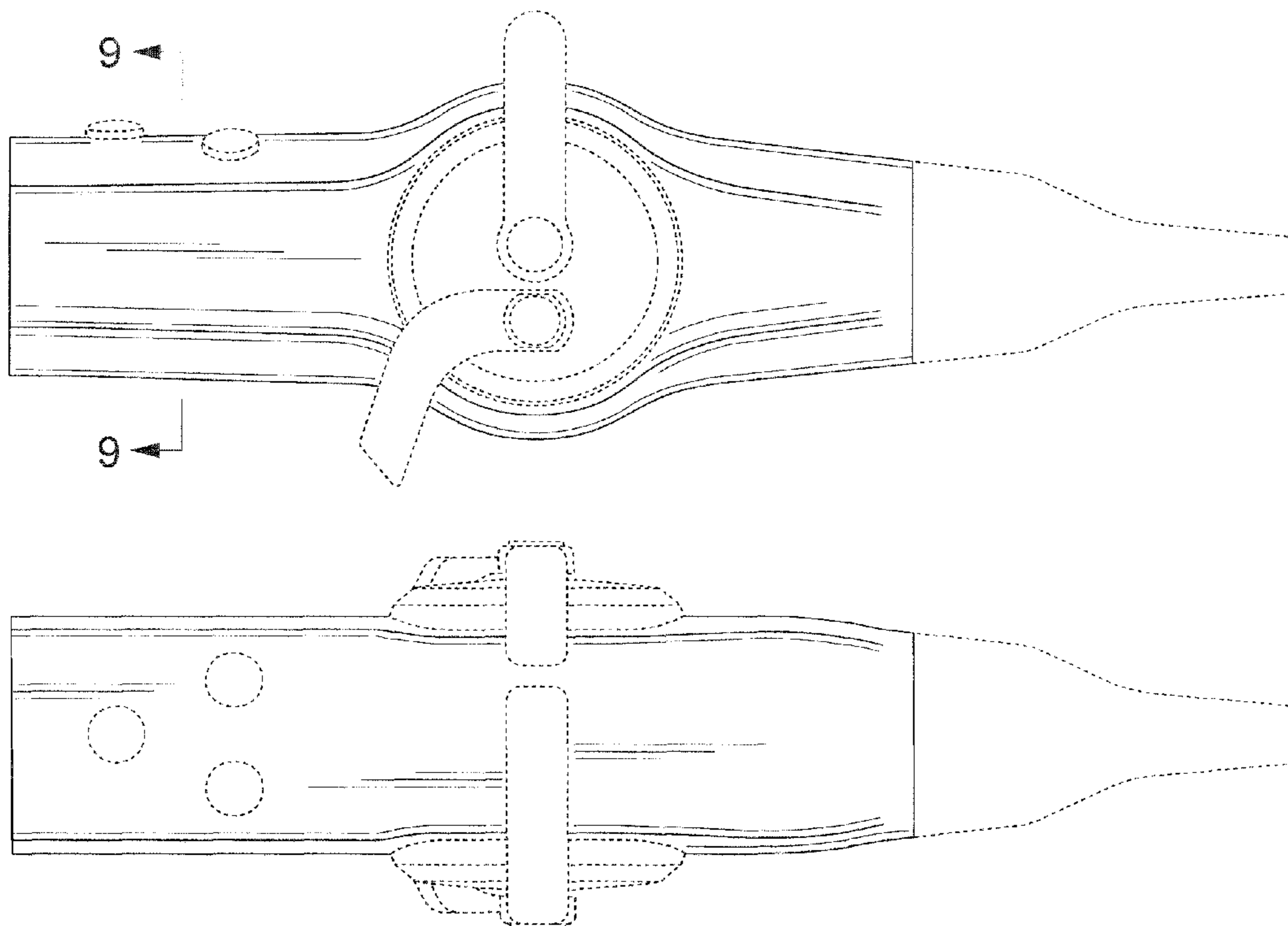
The ornamental design for a operation portion of an endoscope, as shown and described.

DESCRIPTION

FIG. 1 is a front, top and left side perspective view of a operation portion of an endoscope, showing our new design; FIG. 2 is a rear, top and right side perspective view thereof; FIG. 3 is a front elevational view thereof; FIG. 4 is a rear elevational view thereof; FIG. 5 is a top plan view thereof; FIG. 6 is a bottom plan view thereof; FIG. 7 is a left side elevational view thereof; FIG. 8 is a right side elevational view thereof; and, FIG. 9 is an enlarged cross-section view thereof, taken along the line 9-9 in FIG. 3.

The broken lines immediately adjacent the shaded areas represent the bounds of the claimed design while all other broken lines are directed to environment and are for illustrative purposes only; the broken lines form no part of the claimed design.

1 Claim, 8 Drawing Sheets



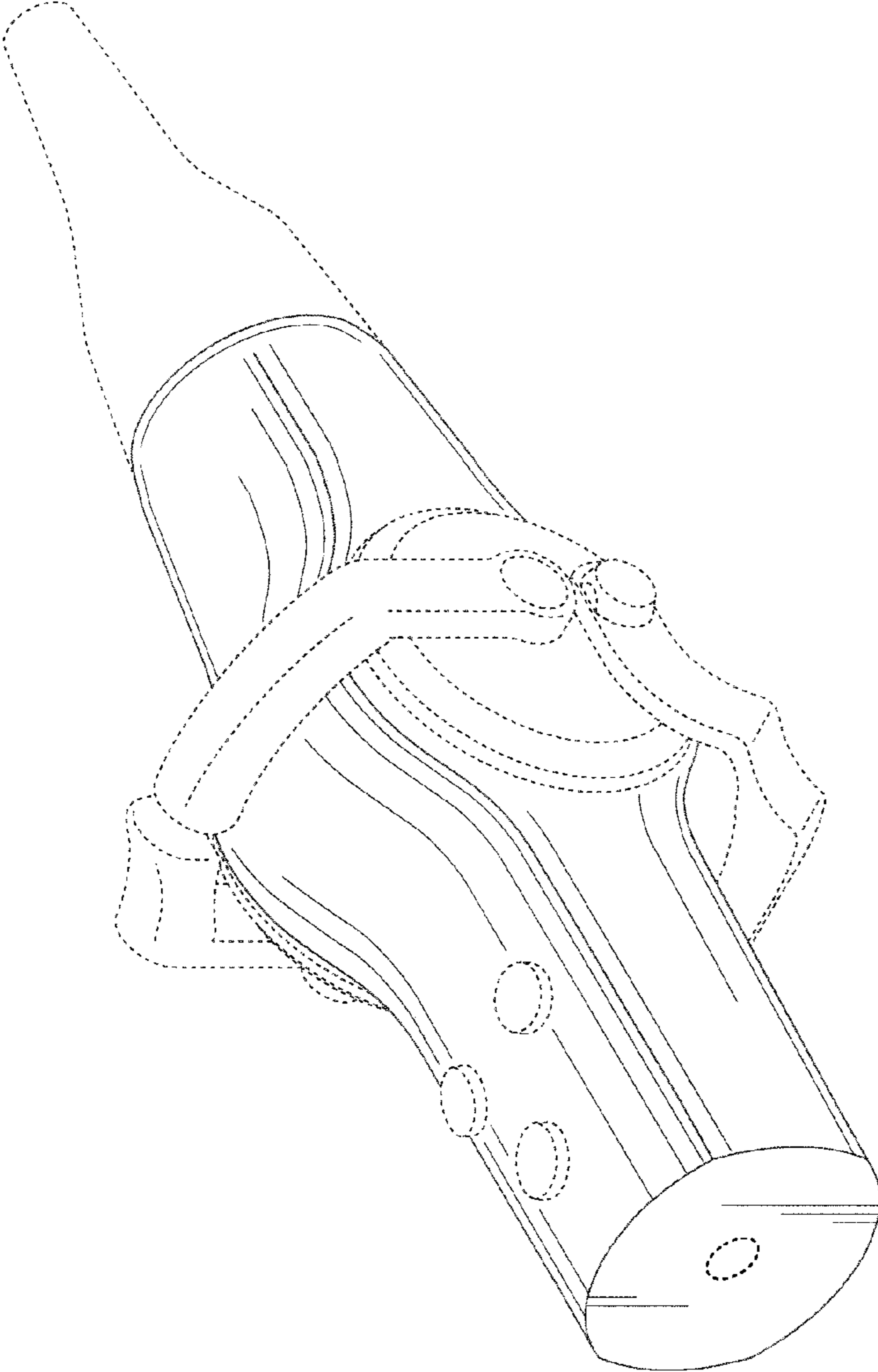


FIG. 1

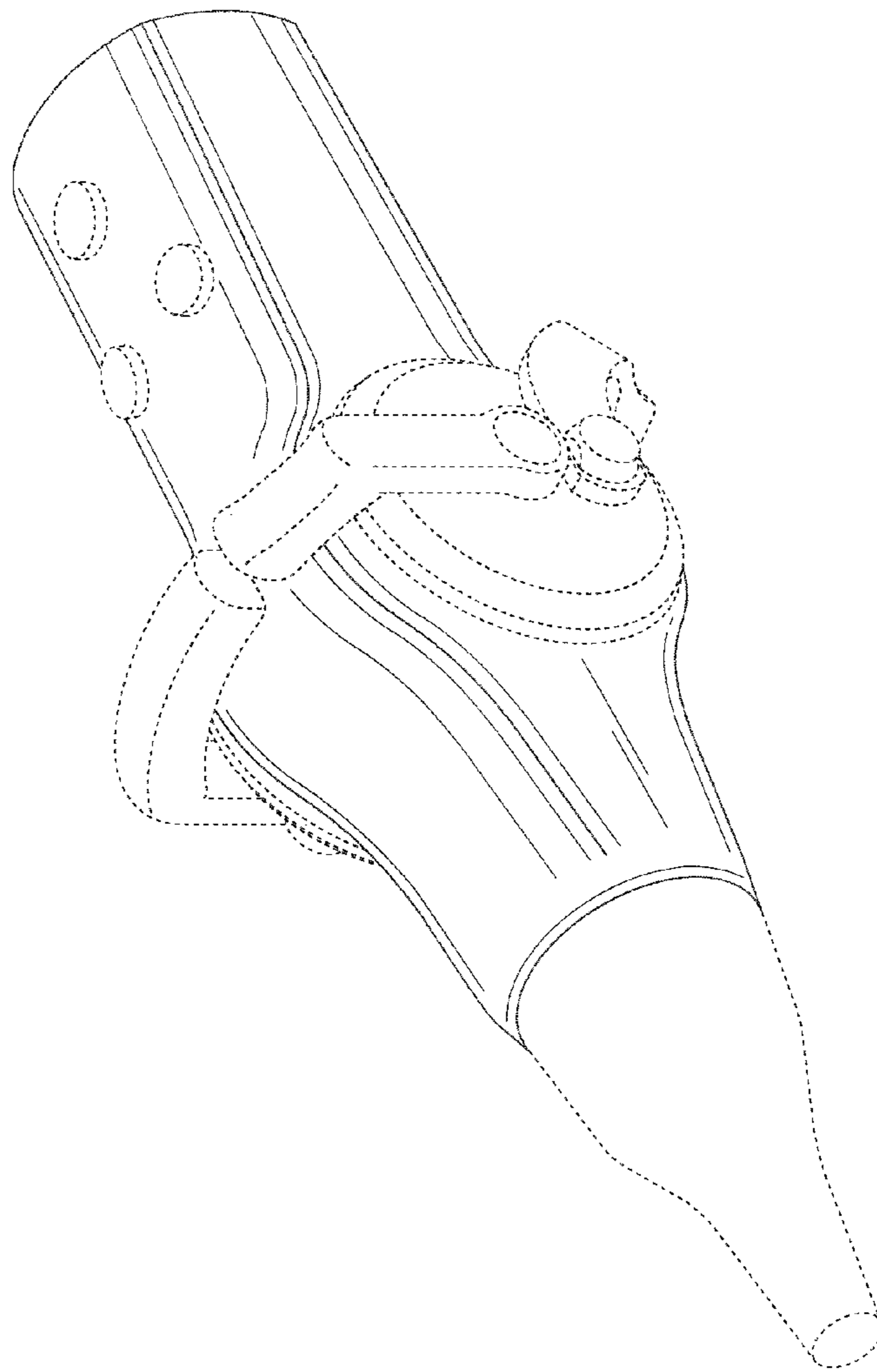


FIG. 2

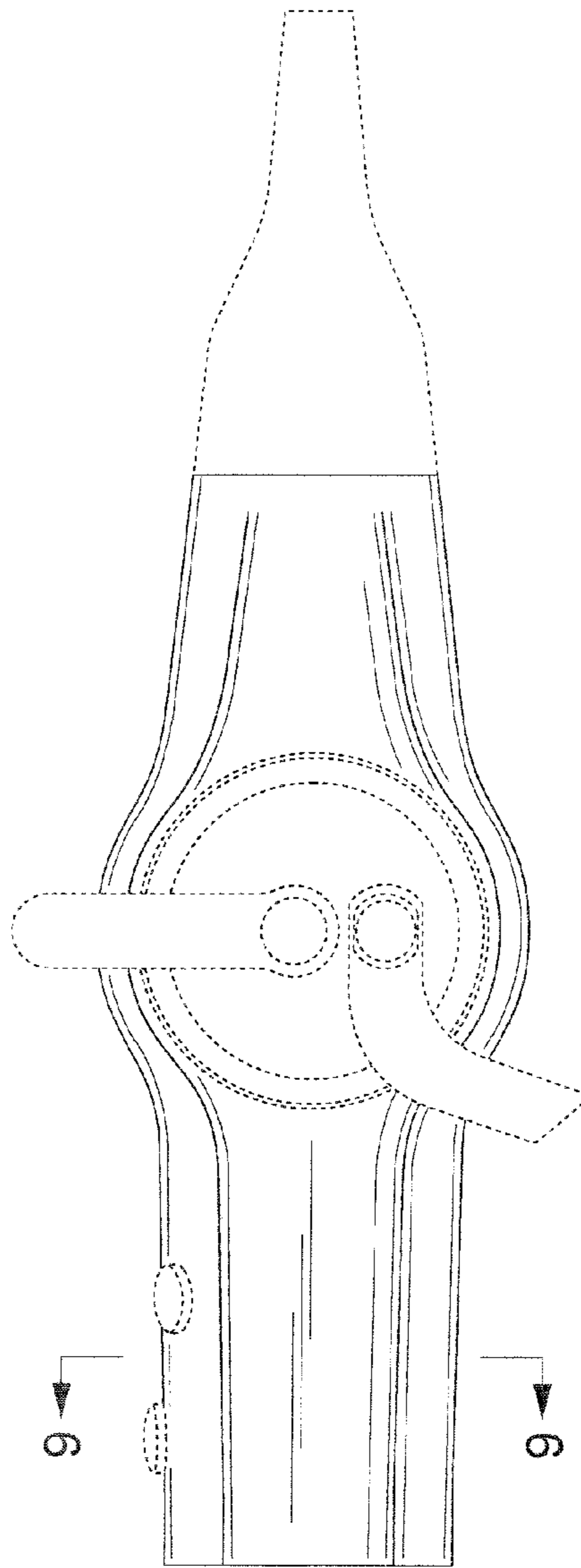


FIG. 3

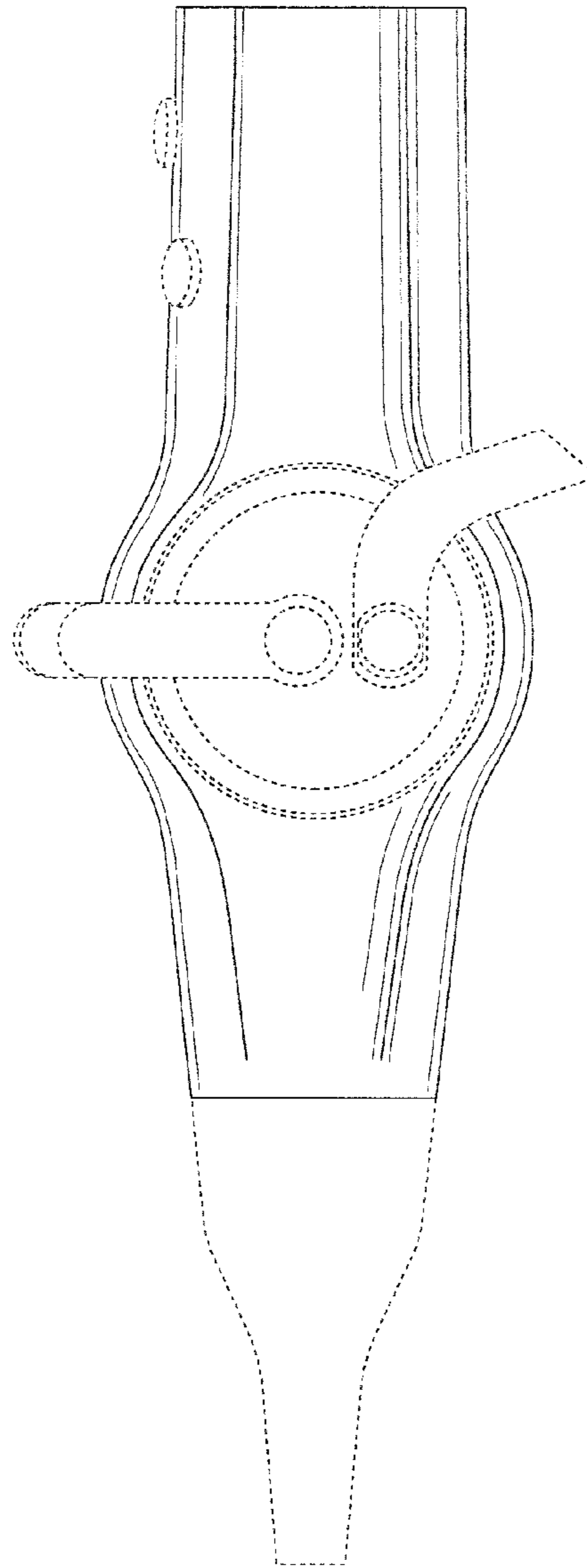


FIG. 4

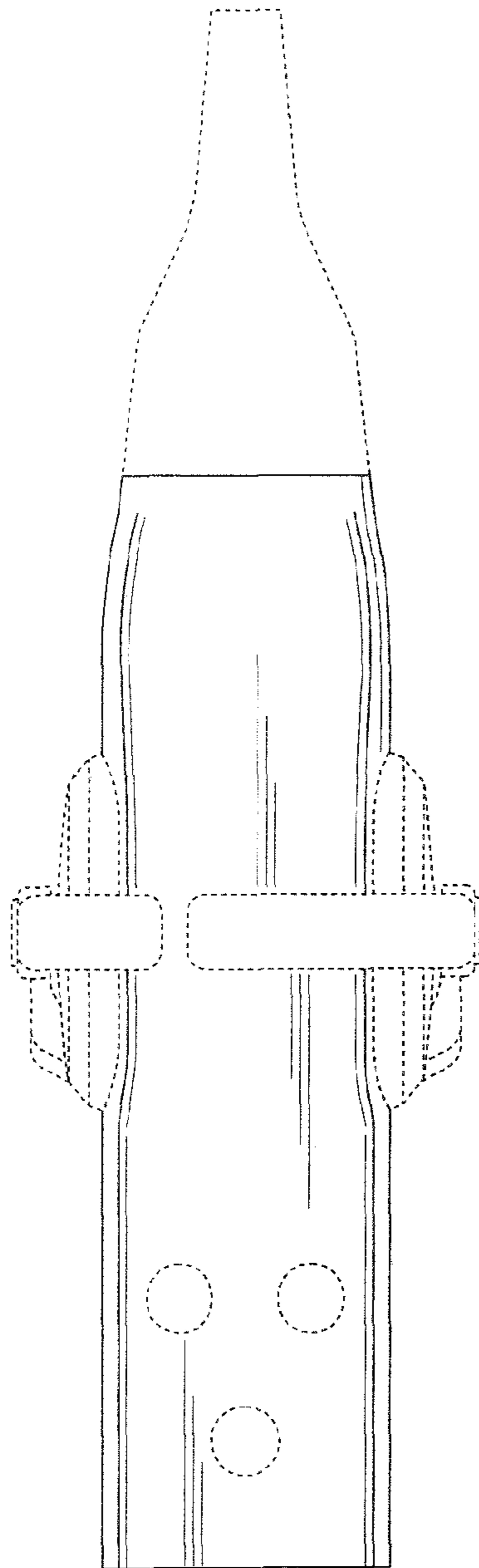


FIG. 5

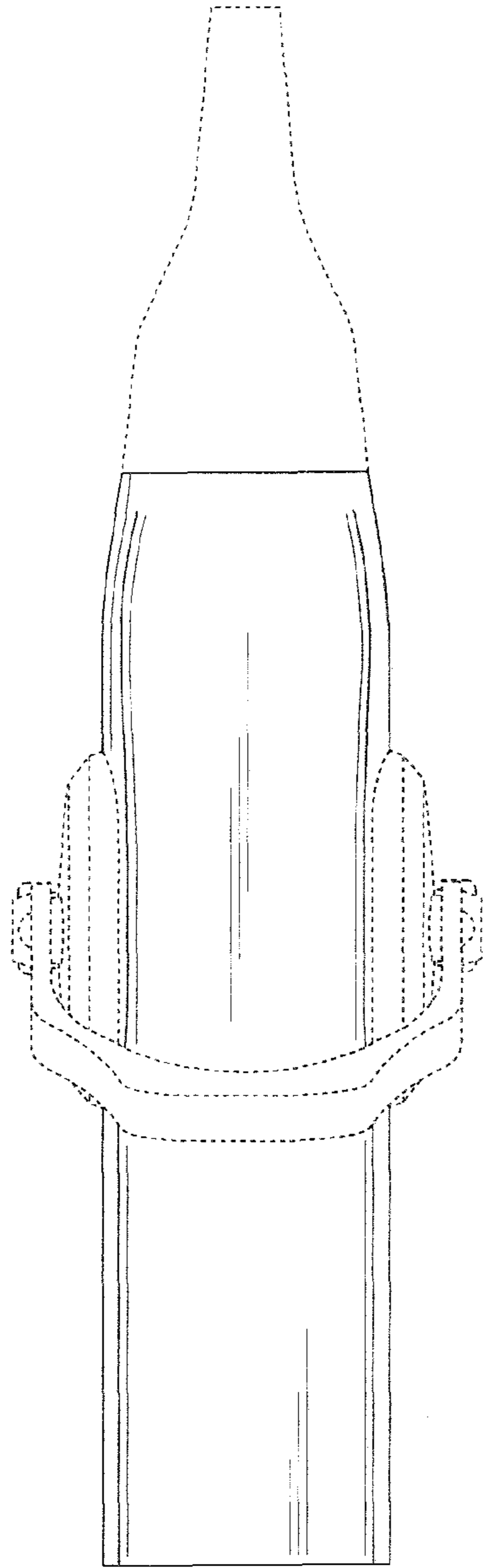


FIG. 6

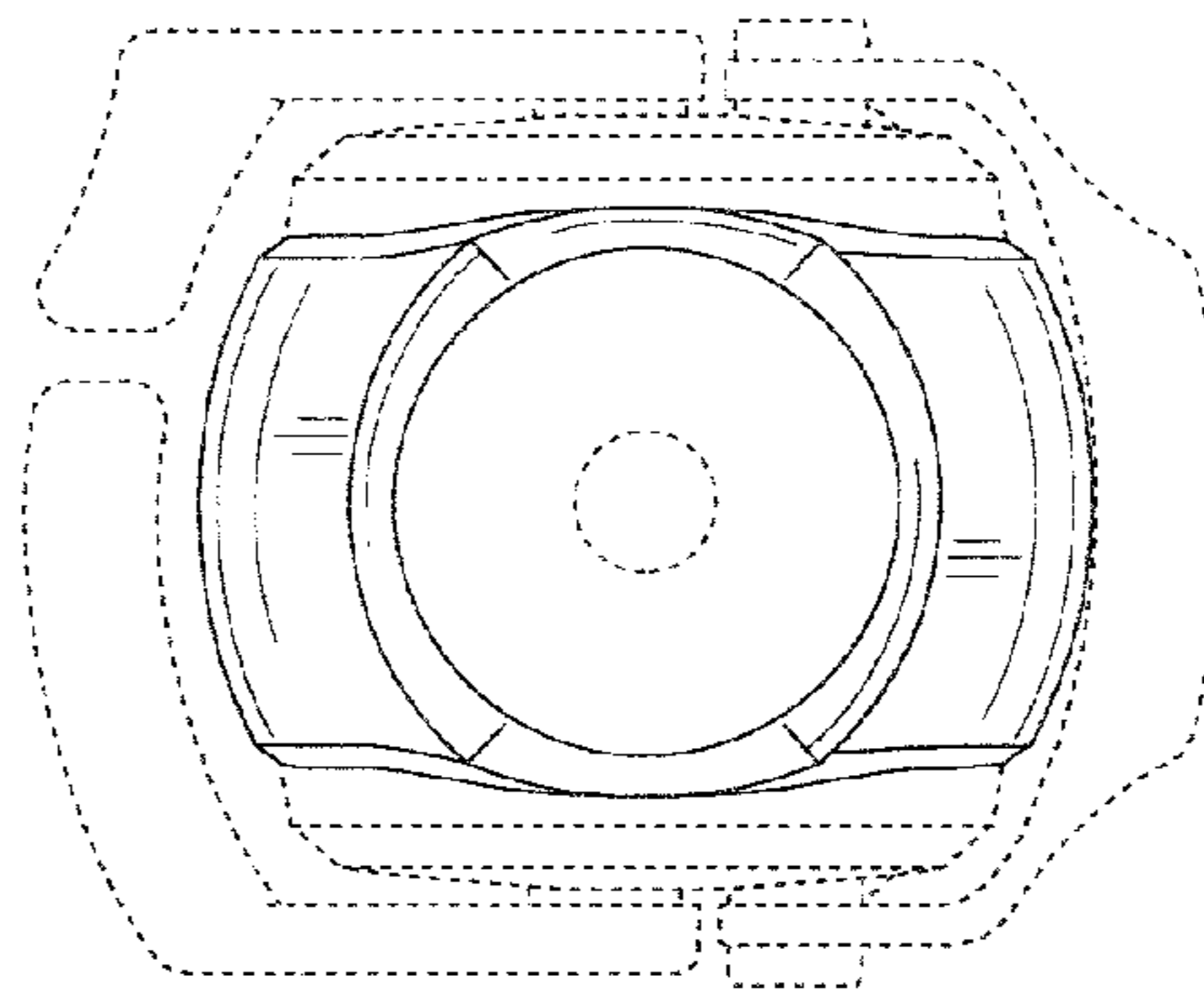


FIG. 8

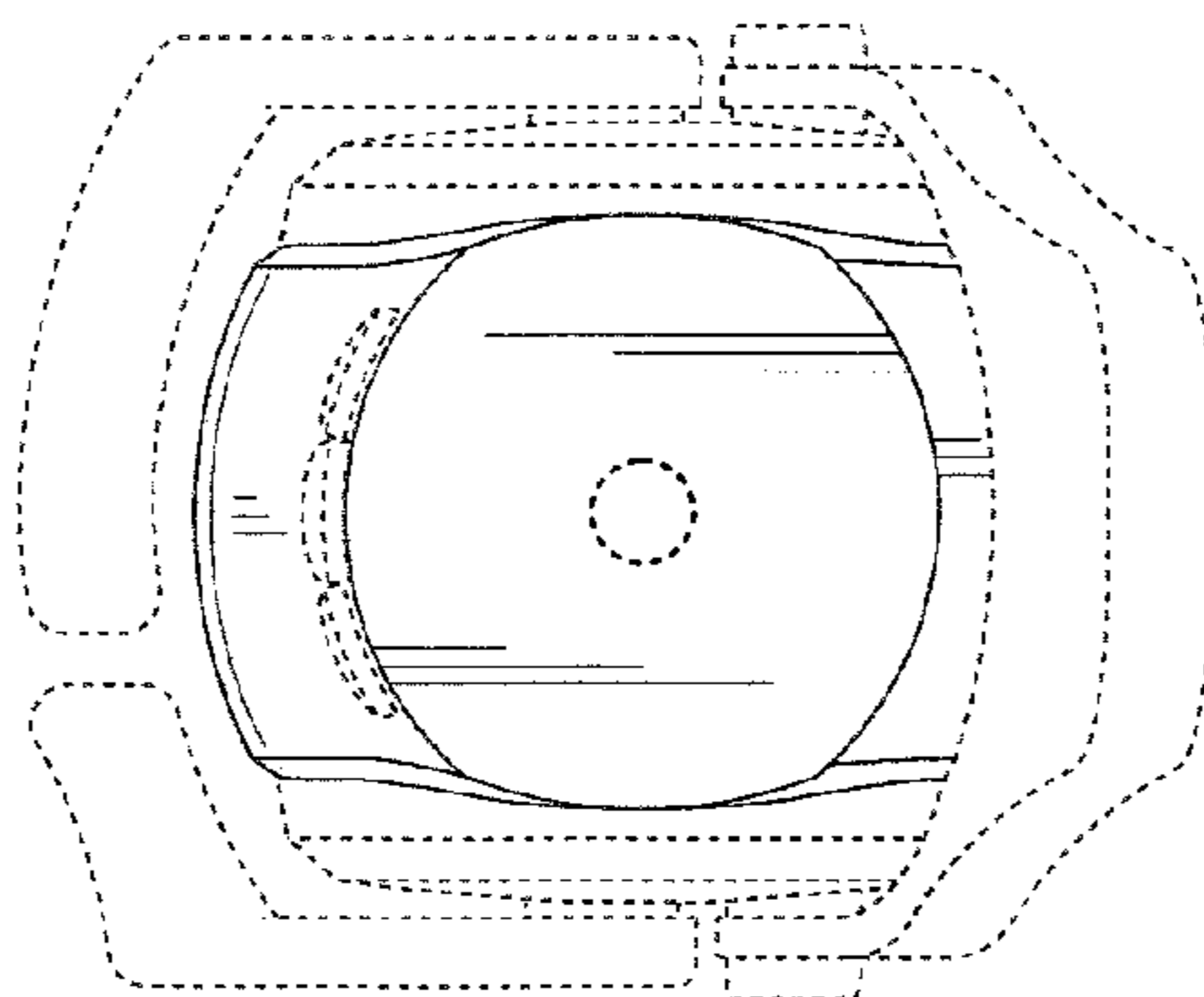


FIG. 7

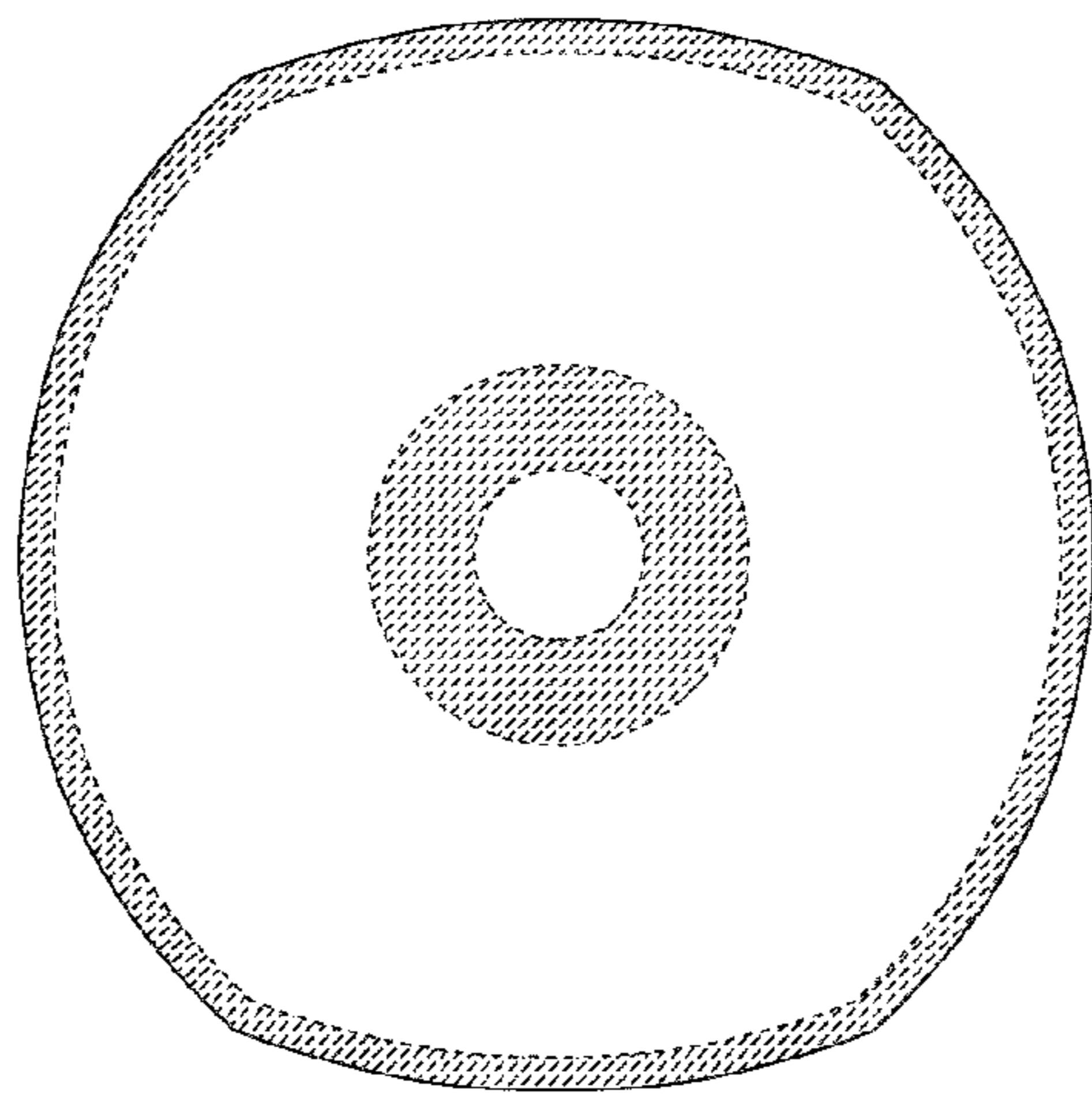


FIG. 9