



US00D671210S

(12) **United States Design Patent**
Manta

(10) **Patent No.:** **US D671,210 S**

(45) **Date of Patent:** **** Nov. 20, 2012**

(54) **PROTECTIVE COVER DISPENSER FOR A STETHOSCOPE**

(76) Inventor: **Laura A. Manta**, Flushing, NY (US)

(**) Term: **14 Years**

(21) Appl. No.: **29/413,228**

(22) Filed: **Feb. 13, 2012**

(51) **LOC (9) Cl.** **24-02**

(52) **U.S. Cl.** **D24/134**

(58) **Field of Classification Search** D24/134;
181/131, 132

See application file for complete search history.

(56) **References Cited**

U.S. PATENT DOCUMENTS

2,893,507	A *	7/1959	Friedman	181/137
5,486,659	A	1/1996	Rosenbush	
D376,043	S	12/1996	Rix	
5,592,946	A *	1/1997	Eddy	600/528
5,623,131	A	4/1997	Earnest	
6,002,777	A *	12/1999	Grasfield et al.	381/67
6,006,856	A *	12/1999	Skubal et al.	181/131
6,186,957	B1	2/2001	Milam	
D440,313	S *	4/2001	Smith	D24/170
6,467,568	B1	10/2002	Kemper	
6,575,917	B2	6/2003	Giroux et al.	
6,757,392	B1 *	6/2004	Granzotto et al.	381/67
D589,142	S *	3/2009	Guerrero	D24/129
7,614,477	B2	11/2009	Statner et al.	
7,806,267	B2	10/2010	Pack-Walden et al.	
7,823,690	B2	11/2010	Hirsch et al.	
7,991,165	B2 *	8/2011	Kassal et al.	381/67

2003/0015368	A1 *	1/2003	Cybulski et al.	181/131
2003/0192736	A1 *	10/2003	Werblud	181/131
2003/0221903	A1 *	12/2003	Roby et al.	181/131
2004/0096069	A1 *	5/2004	Chien	381/67
2009/0288908	A1 *	11/2009	Giroux et al.	181/131

* cited by examiner

Primary Examiner — Bridget L Eland

(74) *Attorney, Agent, or Firm* — Collard & Roe, P.C.

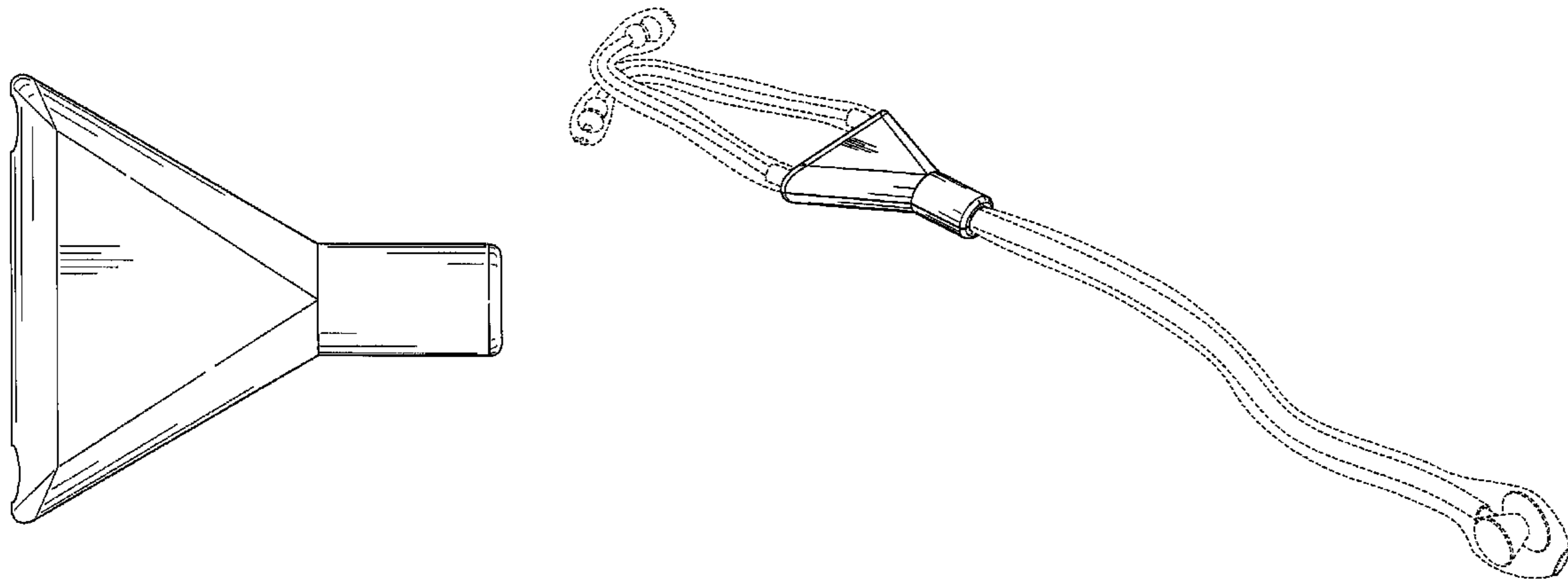
(57) **CLAIM**

The ornamental design for a protective cover dispenser for a stethoscope, as shown and described.

DESCRIPTION

FIG. 1 is perspective view of my design for a protective cover dispenser for a stethoscope;
 FIG. 2 is a side elevational view thereof;
 FIG. 3 is an opposite side elevational view thereof;
 FIG. 4 is a bottom elevational view thereof;
 FIG. 5 is a top elevational view thereof;
 FIG. 6 is a front view thereof;
 FIG. 7 is a back view thereof; and,
 FIG. 8 is a perspective view of my design for a protective cover dispenser for a stethoscope disposed on a stethoscope with protective covers extended in an intended use of the dispenser.
 The elements shown in broken lines depict environmental structure only and form no part of the claimed design.

1 Claim, 5 Drawing Sheets



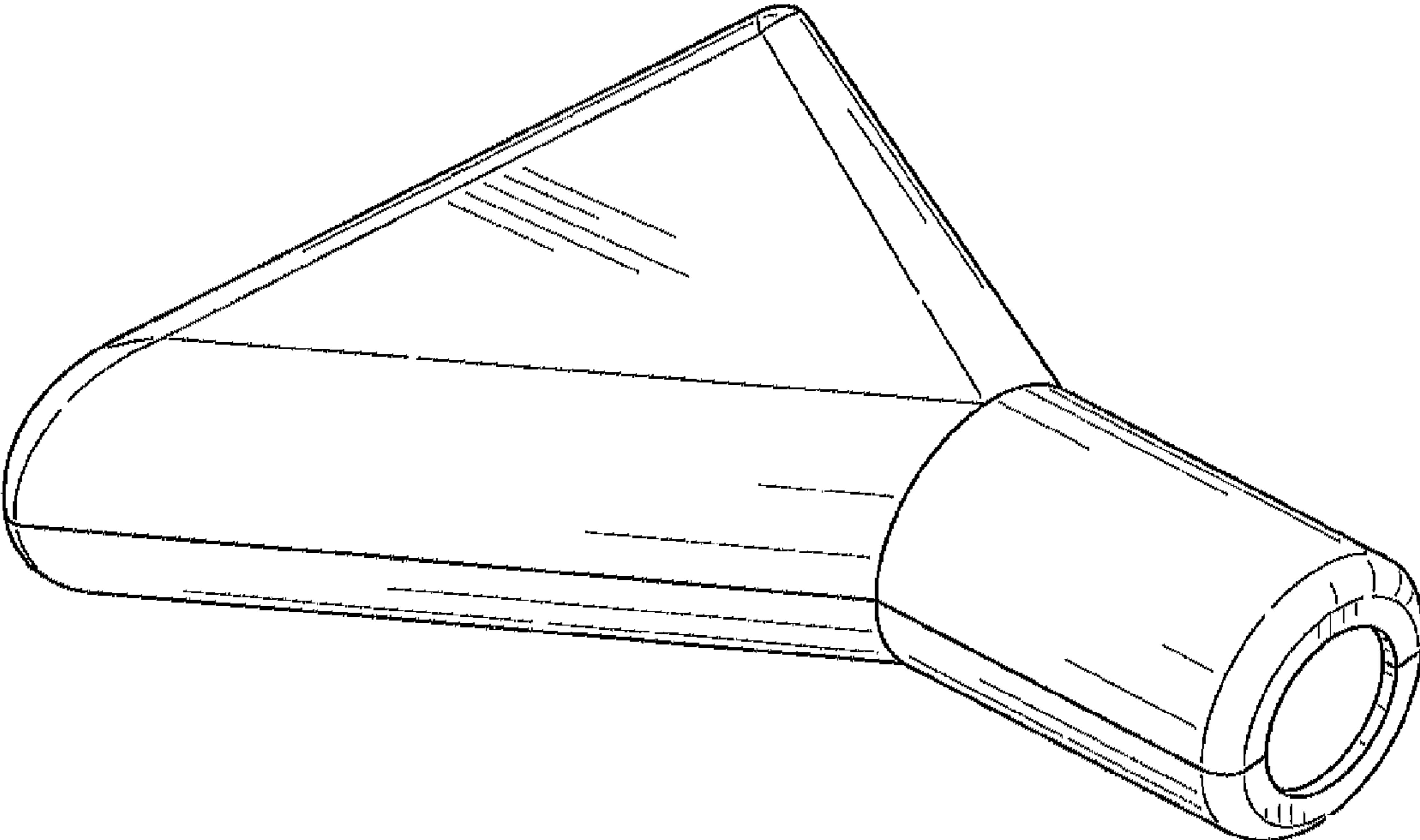


FIG. 1

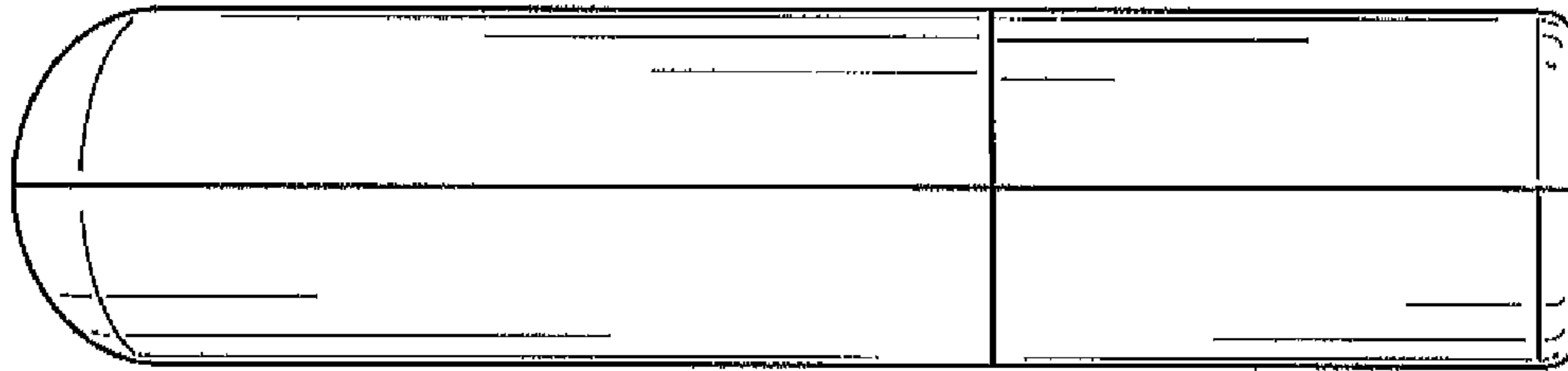


FIG. 2

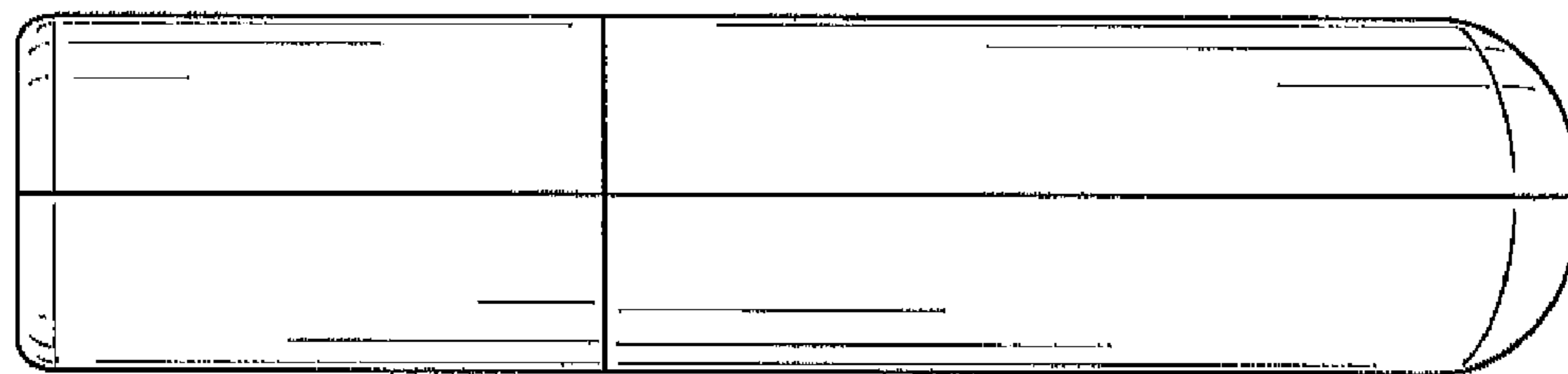


FIG. 3

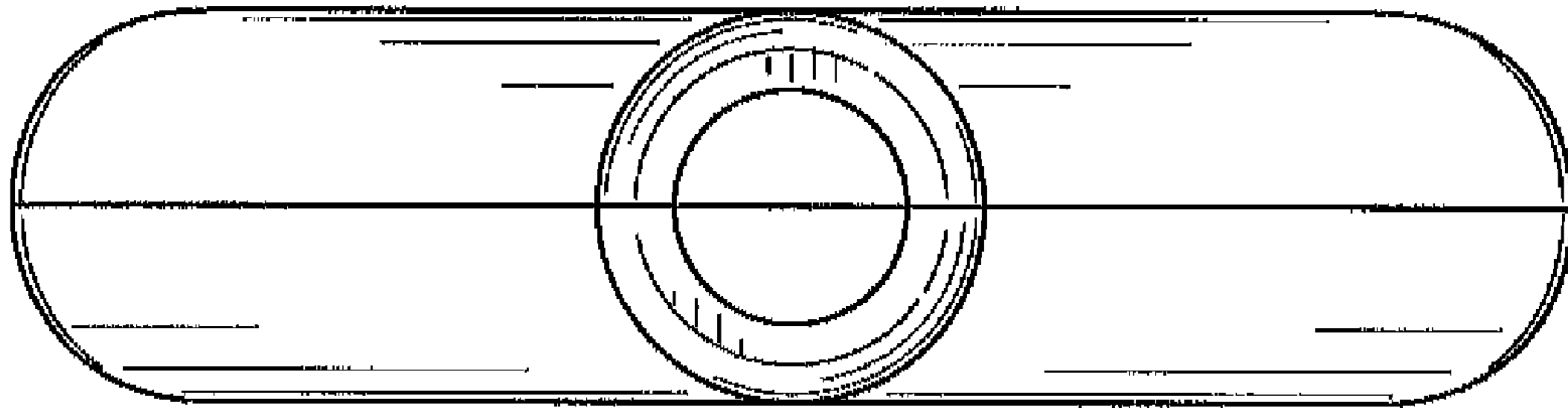


FIG. 4

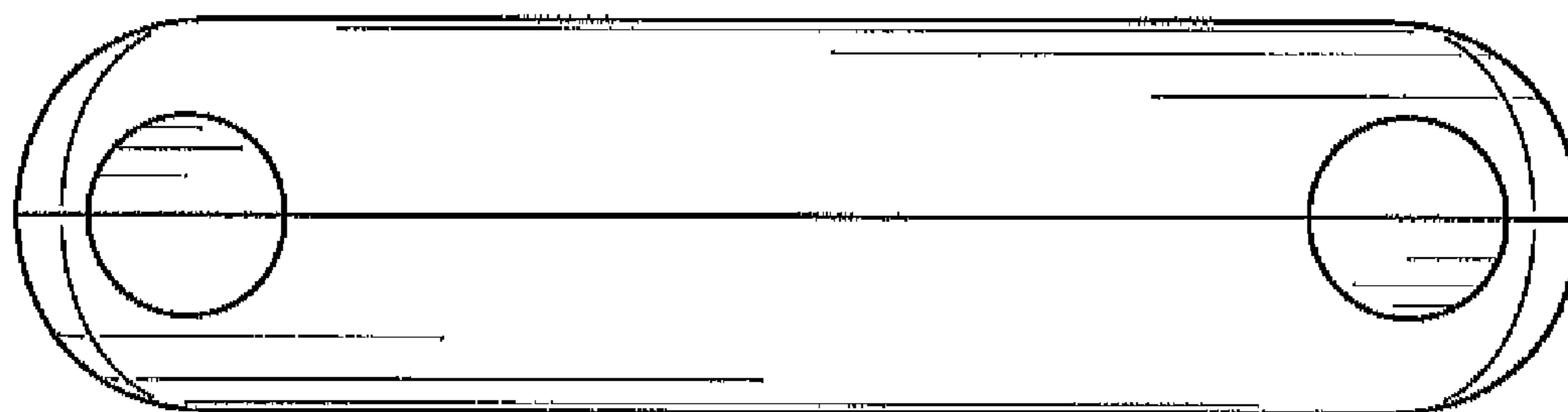


FIG. 5

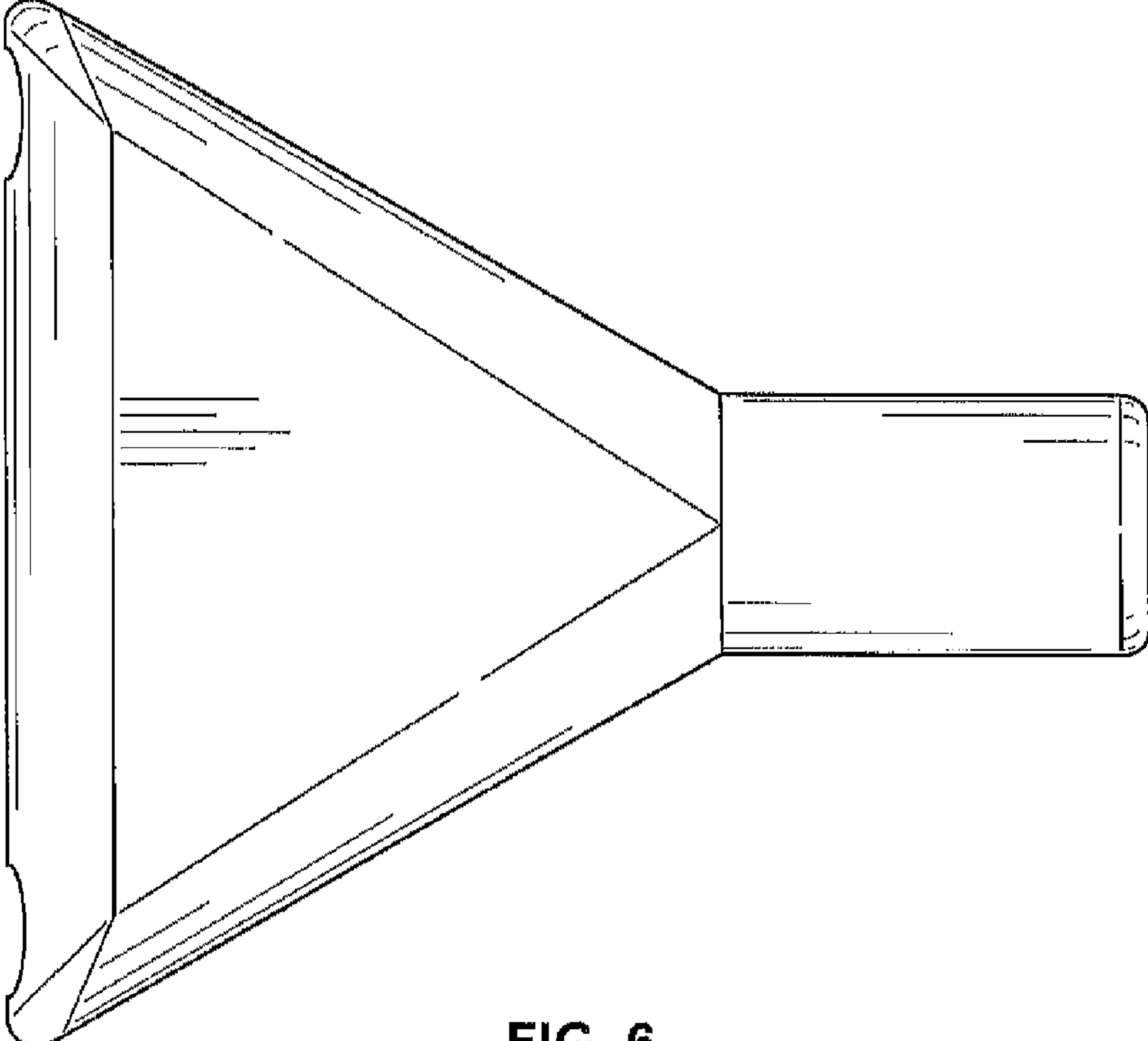


FIG. 6

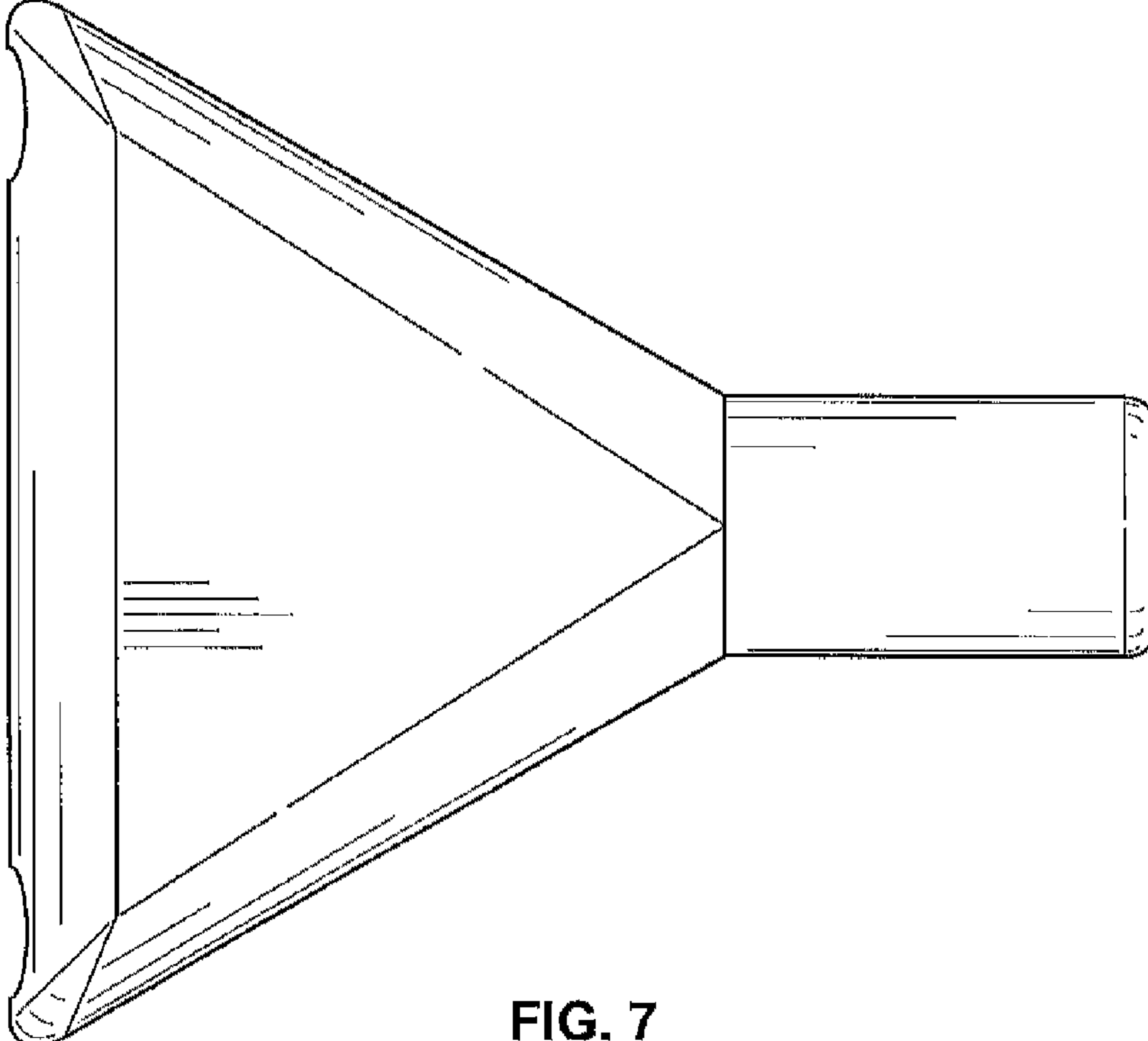


FIG. 7

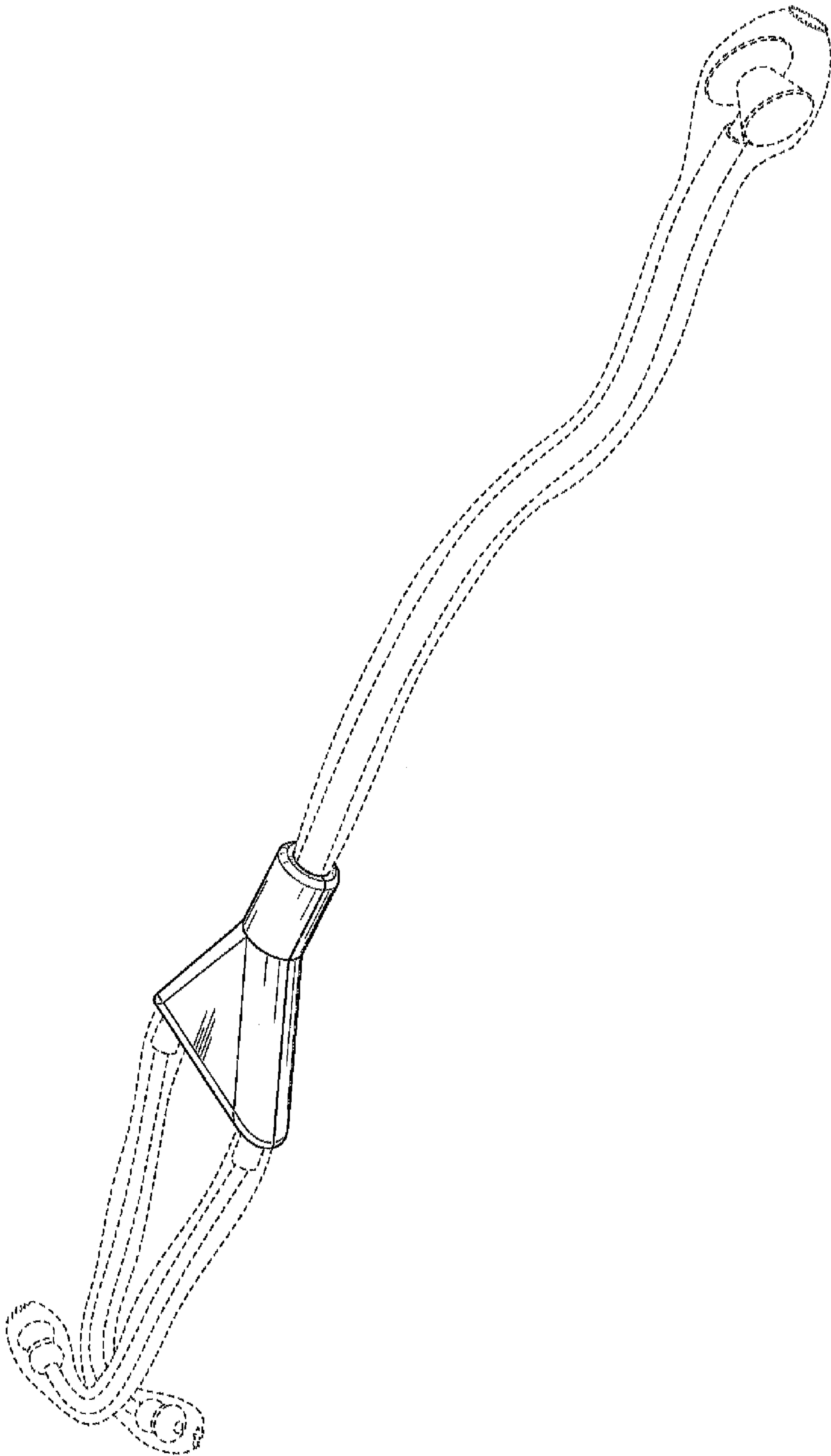


FIG. 8