



US00D671207S

(12) **United States Design Patent**
Bobjer et al.

(10) **Patent No.:** **US D671,207 S**

(45) **Date of Patent:** **** Nov. 20, 2012**

(54) **INHALER**

(75) Inventors: **Kajsa Bobjer**, Malmö (SE); **Camilla Lundström**, Malmö (SE); **Mårten Rittfeldt**, Malmö (SE); **Jonas Svennberg**, Malmö (SE)

(73) Assignee: **AstraZeneca UK Limited**, London (GB)

(**) Term: **14 Years**

(21) Appl. No.: **29/382,991**

(22) Filed: **Jan. 11, 2011**

(30) **Foreign Application Priority Data**

Jul. 21, 2010 (EM) 001734237-0001

(51) **LOC (9) Cl.** **29-02**

(52) **U.S. Cl.** **D24/110**

(58) **Field of Classification Search** D24/110;
128/203.15, 203.21, 200.14, 200.23, 205.24,
128/202.21

See application file for complete search history.

(56) **References Cited**

U.S. PATENT DOCUMENTS

D452,910 S *	1/2002	Braithwaite et al.	D24/110
D518,171 S *	3/2006	Anderson et al.	D24/110
D560,793 S *	1/2008	Pearl et al.	D24/110
D569,967 S *	5/2008	Pearl et al.	D24/110
D576,724 S *	9/2008	Jensen et al.	D24/110
D579,544 S *	10/2008	Birath et al.	D24/110
D590,495 S *	4/2009	Lulla et al.	D24/110
D590,938 S *	4/2009	Lulla et al.	D24/110

D636,485 S *	4/2011	White et al.	D24/110
D641,076 S *	7/2011	Grunstad et al.	D24/110
2008/0236579 A1 *	10/2008	Zierenberg et al.	128/203.15
2008/0295833 A1 *	12/2008	Rohrschneider et al.	128/203.15

* cited by examiner

Primary Examiner — Ian Simmons

Assistant Examiner — Carissa Fitts

(74) *Attorney, Agent, or Firm* — Finnegan, Henderson, Farabow, Garrett & Dunner, LLP

(57) **CLAIM**

The ornamental design for an inhaler, as shown and described.

DESCRIPTION

FIG. 1 is a perspective view of an inhaler with an open mouthpiece;

FIG. 2 is a front view of the inhaler of FIG. 1 with the mouthpiece open;

FIG. 3 is a rear view of the inhaler of FIG. 1;

FIG. 4 is a first end view of the inhaler of FIG. 1 with the mouthpiece open;

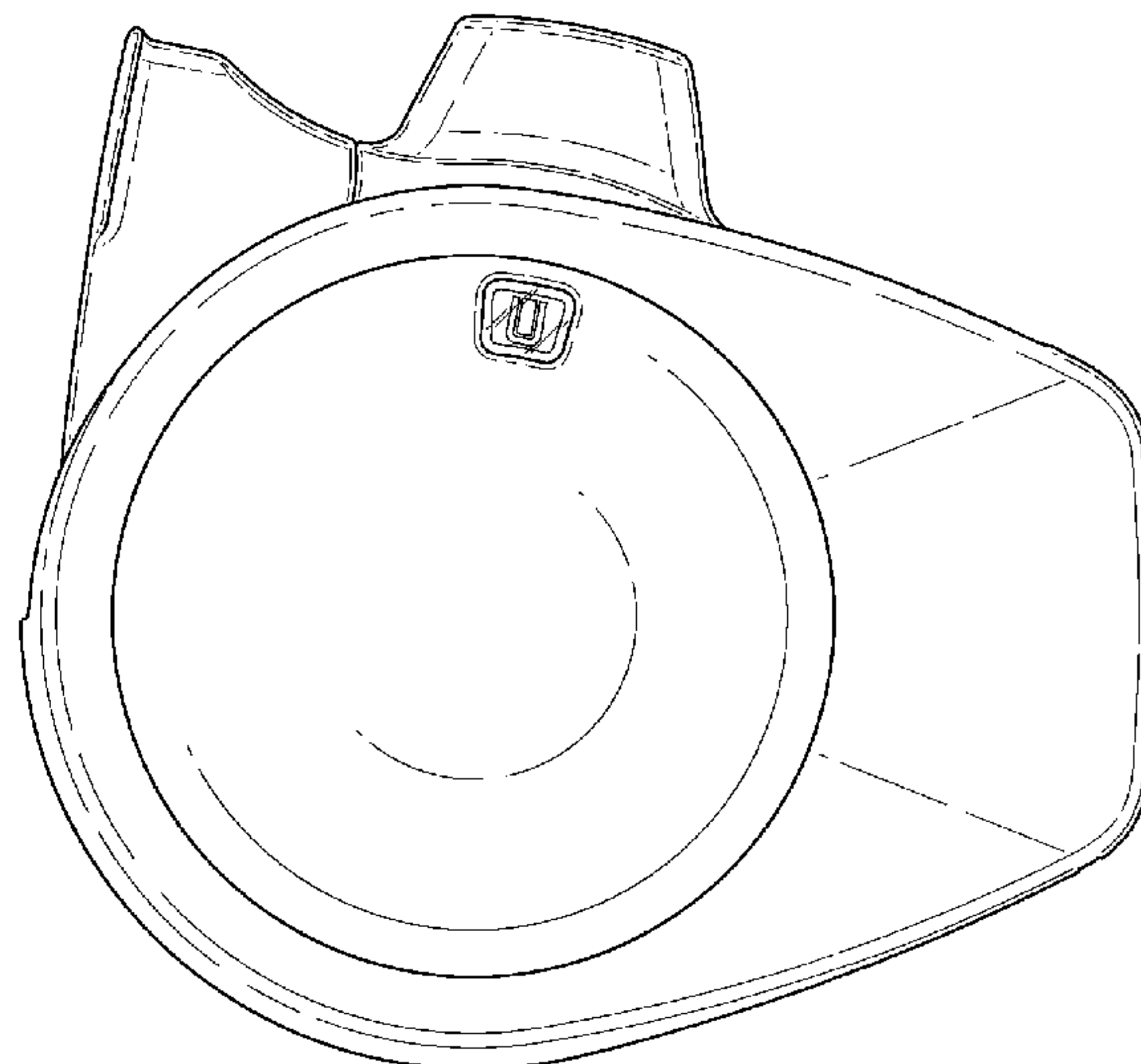
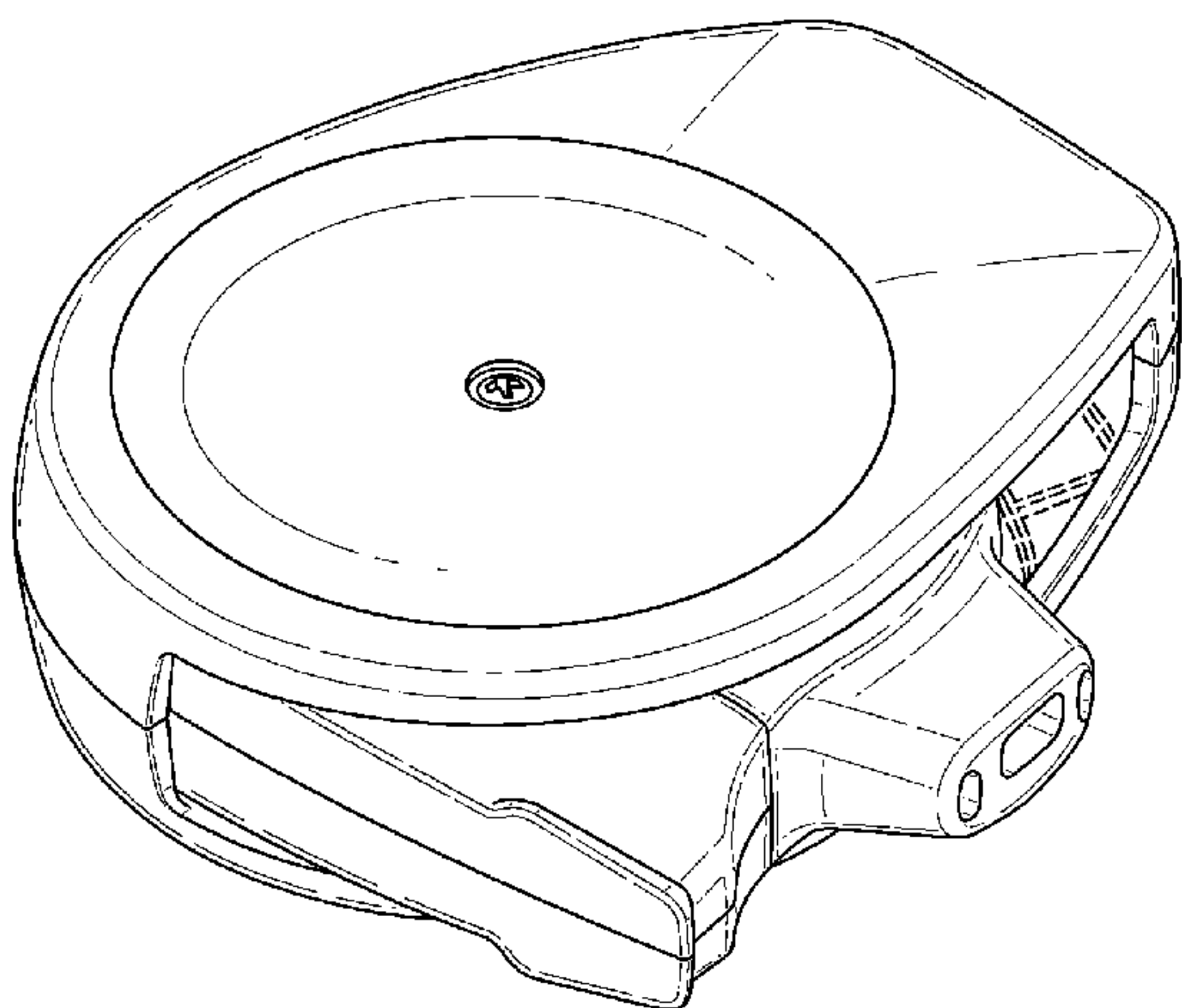
FIG. 5 is a second end view of the inhaler of FIG. 1 with the mouthpiece open;

FIG. 6 is a bottom plan view of the inhaler of FIG. 1 with the mouthpiece open; and,

FIG. 7 is a top plan view of the inhaler of FIG. 1 with the mouthpiece open and an indicator indicating that a dose is ready for dispensing.

The broken lines in FIGS. 1 and 2 are included for the purpose of illustrating a portion of the inhaler that forms no part of the claimed design.

1 Claim, 4 Drawing Sheets



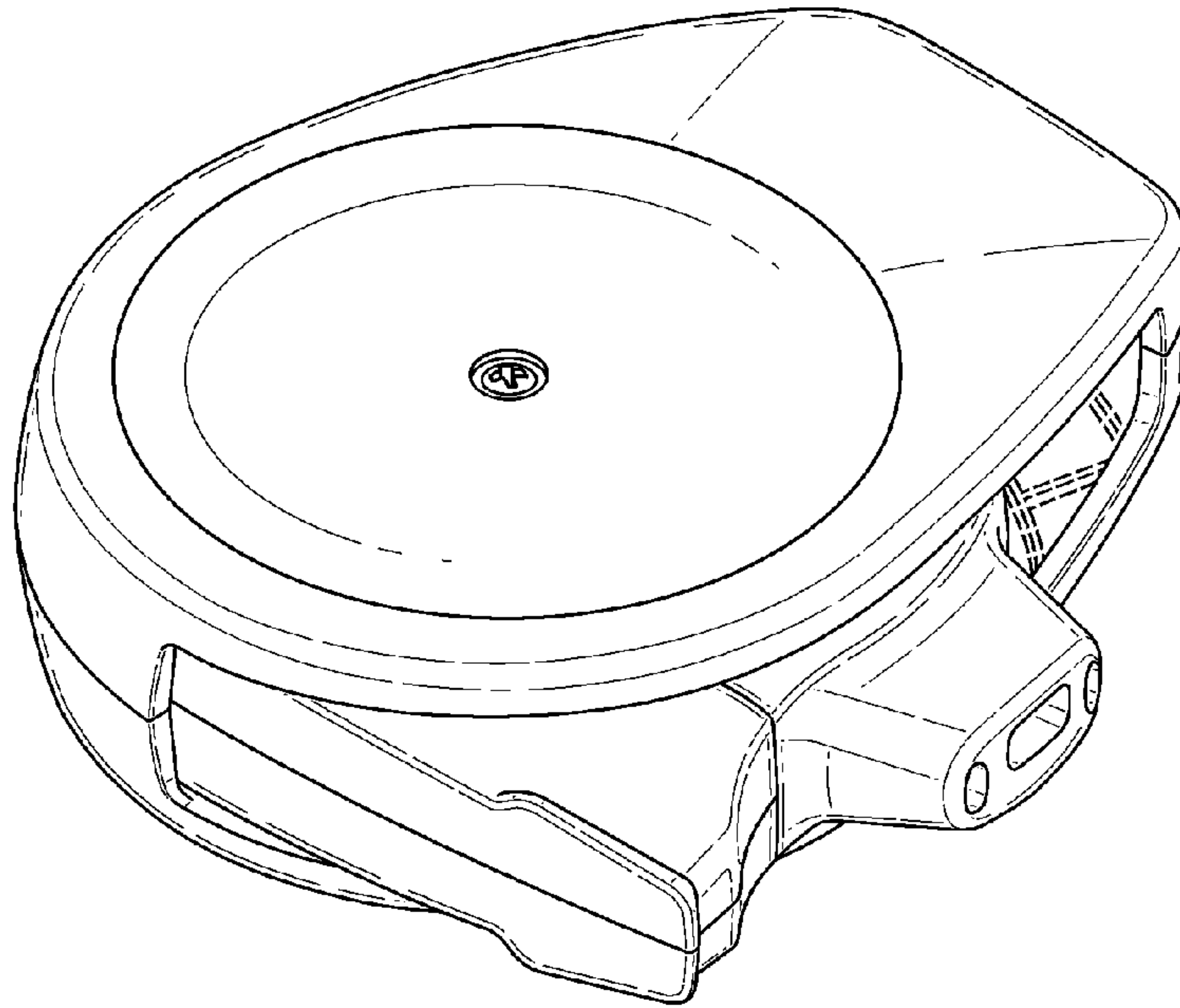


Fig. 1

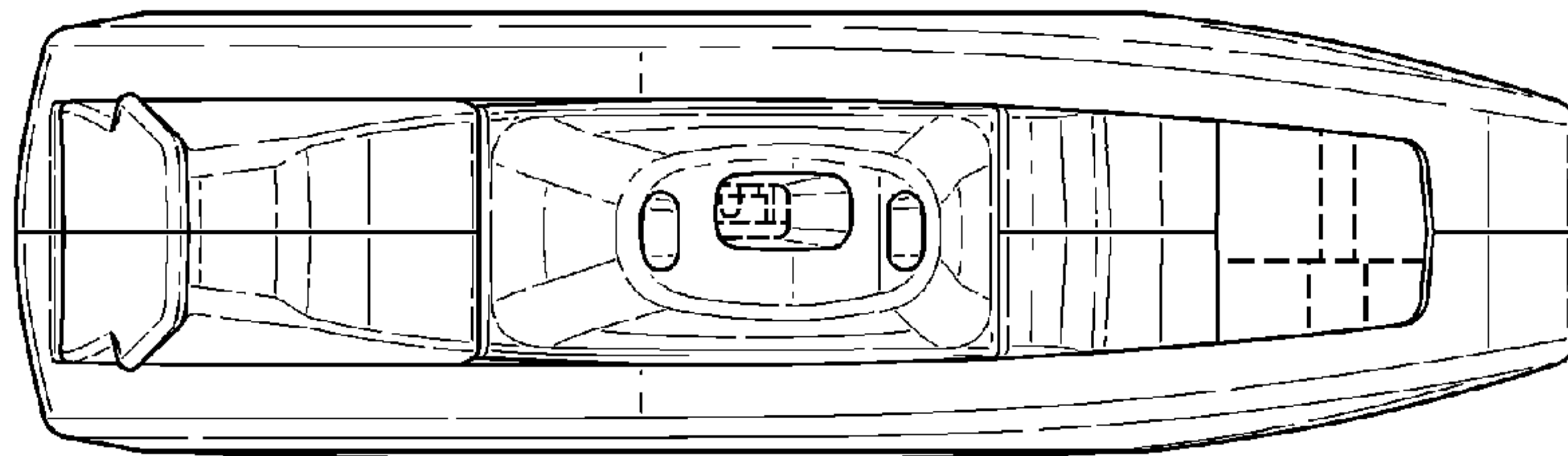


Fig. 2

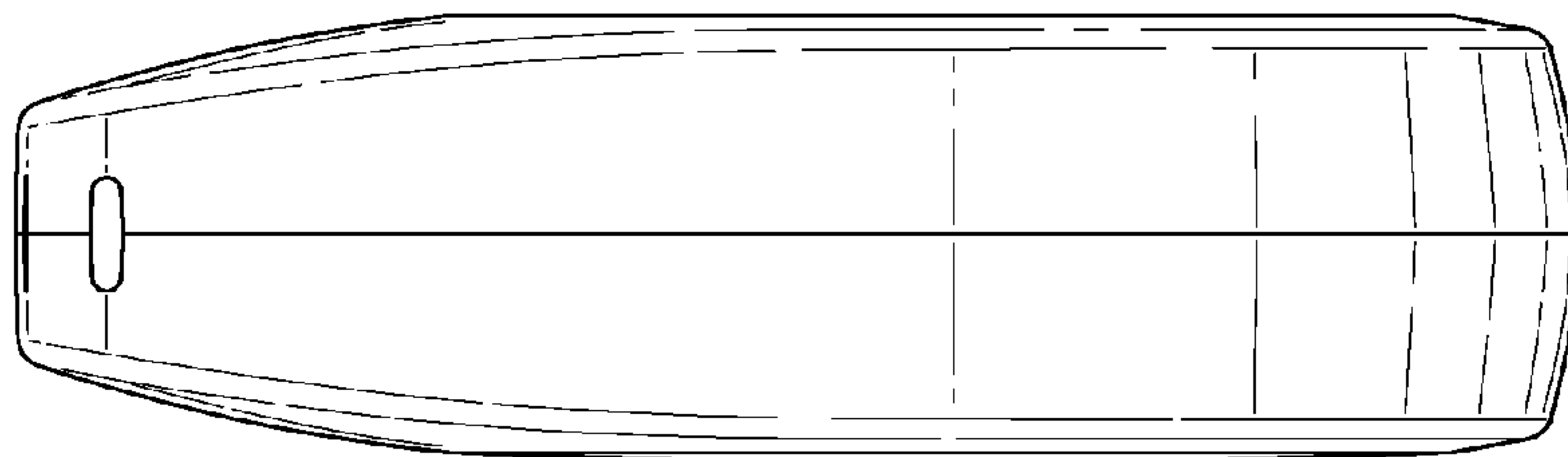


Fig. 3

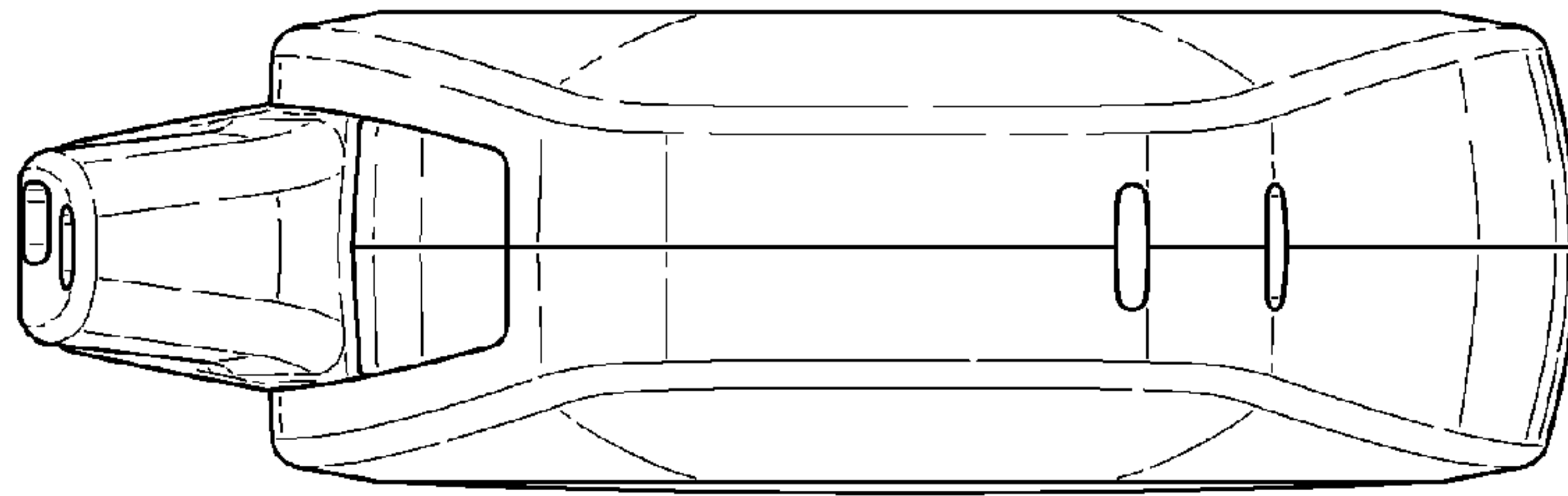


Fig. 4

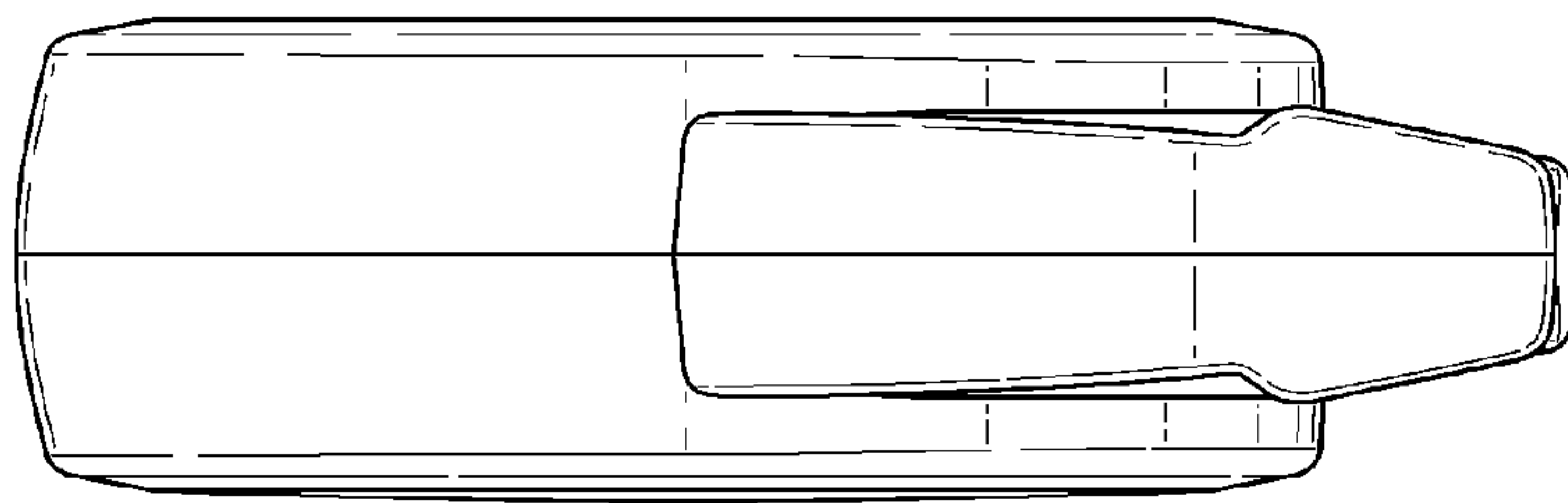


Fig. 5

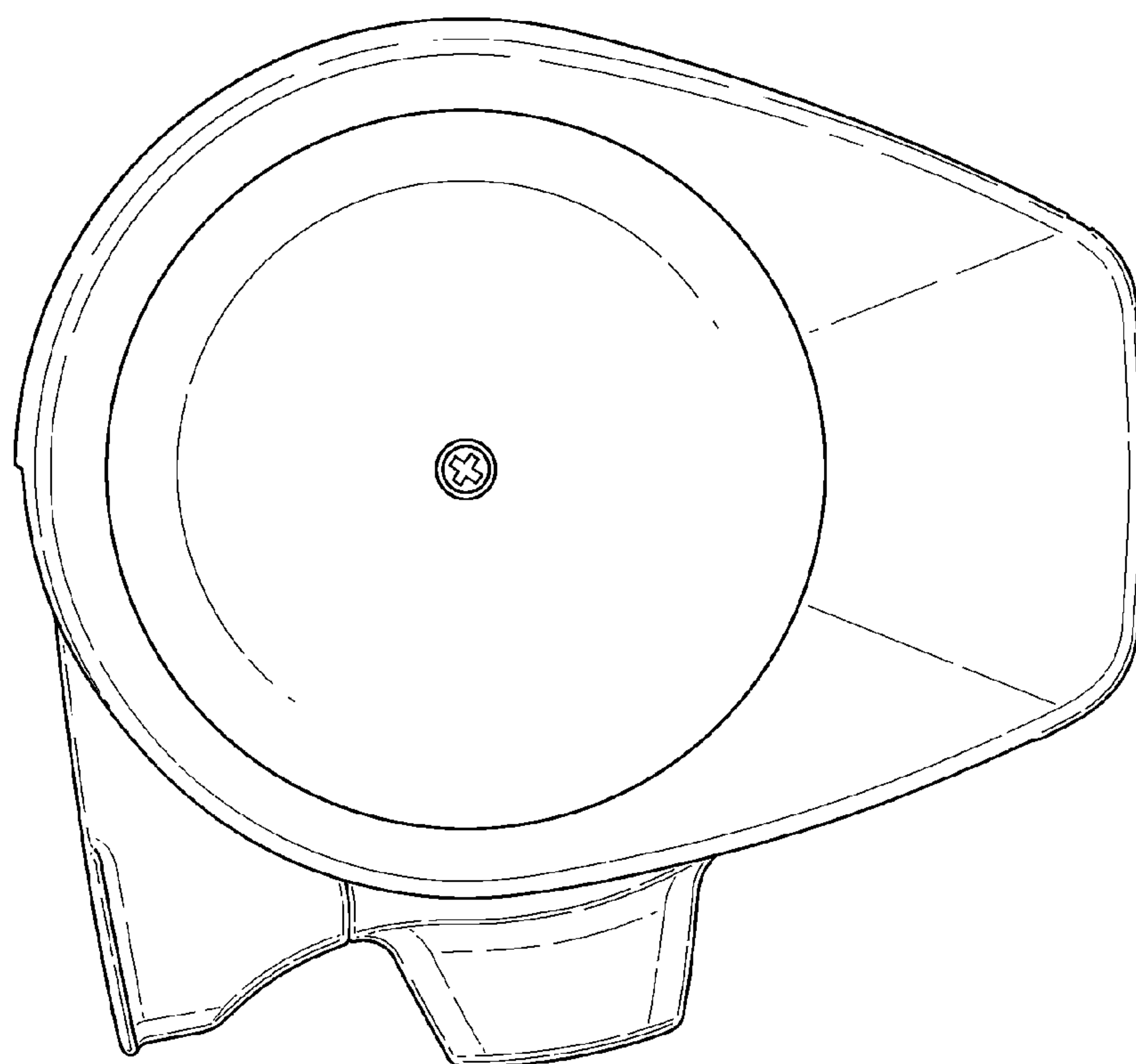


Fig. 6

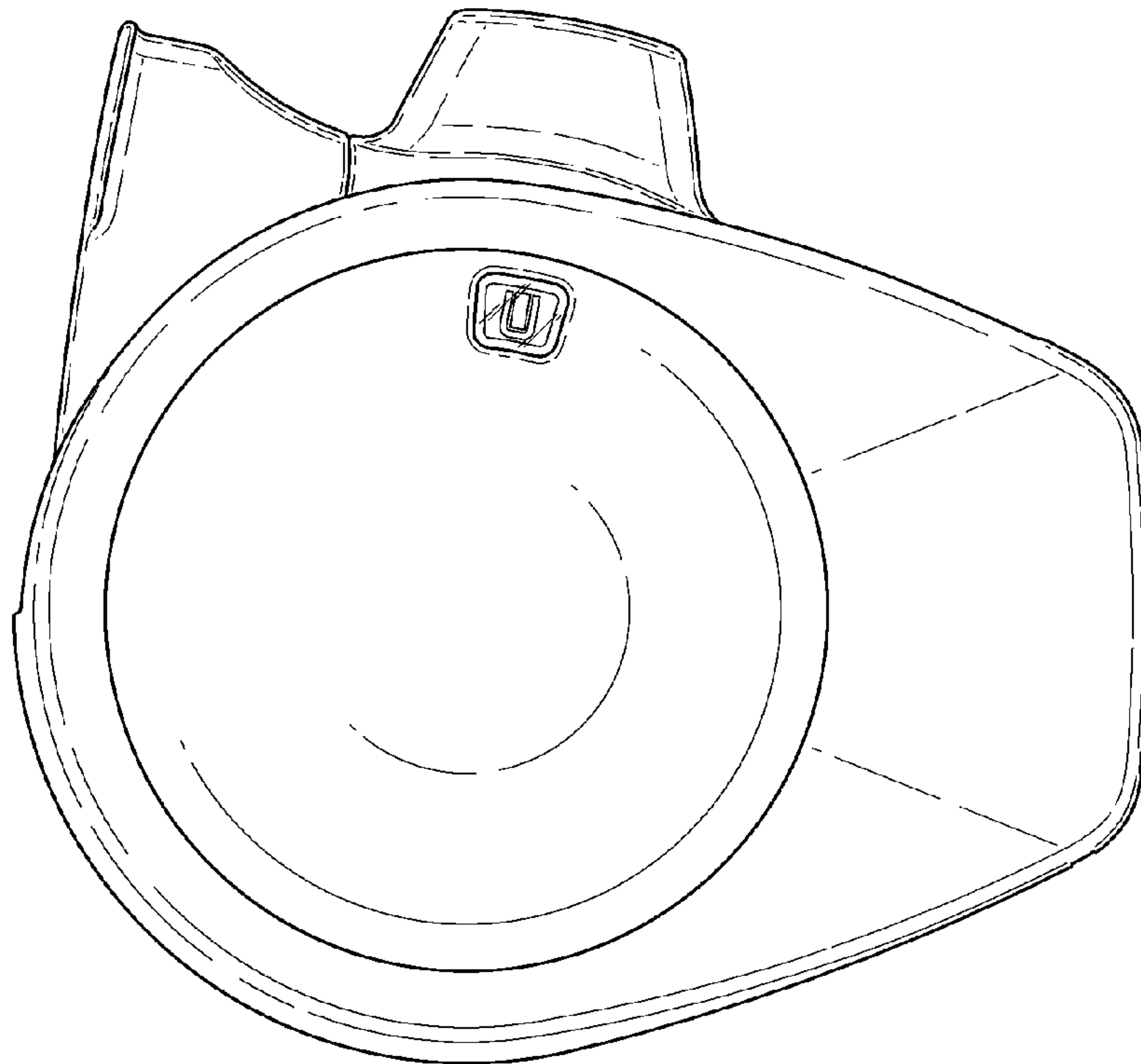


Fig. 7