

US00D671206S

(12) **United States Design Patent**
McGarrity et al.

(10) **Patent No.:** **US D671,206 S**
(45) **Date of Patent:** **** Nov. 20, 2012**

(54) **RESPIRATORY THERAPY SYSTEM**

(75) Inventors: **George V. McGarrity**, Centreville, MD (US); **William F. Niland**, Arnold, MD (US); **Peter Boyd**, Charlottesville, VA (US); **Felino V. Cortez**, Bowie, MD (US); **Carl Buyer**, Denton, MD (US)

(73) Assignee: **Vapotherm, Inc.**, Stevensville, MD (US)

(**) Term: **14 Years**

(21) Appl. No.: **29/351,376**

(22) Filed: **Dec. 4, 2009**

(51) **LOC (9) Cl.** **29-02**

(52) **U.S. Cl.** **D24/110**

(58) **Field of Classification Search** D24/110,
D24/164; 128/200.23, 200.24, 204.14, 204.18,
128/203.26; D23/355, 364
See application file for complete search history.

(56) **References Cited**

U.S. PATENT DOCUMENTS

D427,675	S	*	7/2000	Hansel	D24/110
D493,520	S	*	7/2004	Bertinetti et al.	D24/110
D493,884	S	*	8/2004	Virr et al.	D24/110
D560,795	S	*	1/2008	Lithgow et al.	D24/110
D592,301	S	*	5/2009	Cork et al.	D24/110
D612,480	S	*	3/2010	Cork et al.	D24/110
D613,395	S	*	4/2010	Nakao et al.	D24/110
D614,024	S	*	4/2010	Eason et al.	D9/421

D626,642	S	*	11/2010	Virr et al.	D23/356
2008/0302361	A1	*	12/2008	Snow et al.	128/202.27
2011/0017212	A1	*	1/2011	Kenyon et al.	128/203.26

FOREIGN PATENT DOCUMENTS

WO WO 2005011785 A1 * 2/2005

* cited by examiner

Primary Examiner — Rashida Johnson

(74) *Attorney, Agent, or Firm* — RatnerPrestia

(57) **CLAIM**

The ornamental design of a respiratory therapy system, as shown and described.

DESCRIPTION

FIG. 1 is a perspective view from the top, front, and left of a respiratory therapy system;

FIG. 2 is a perspective view from the top, rear, and right side thereof;

FIG. 3 is a front elevation view thereof;

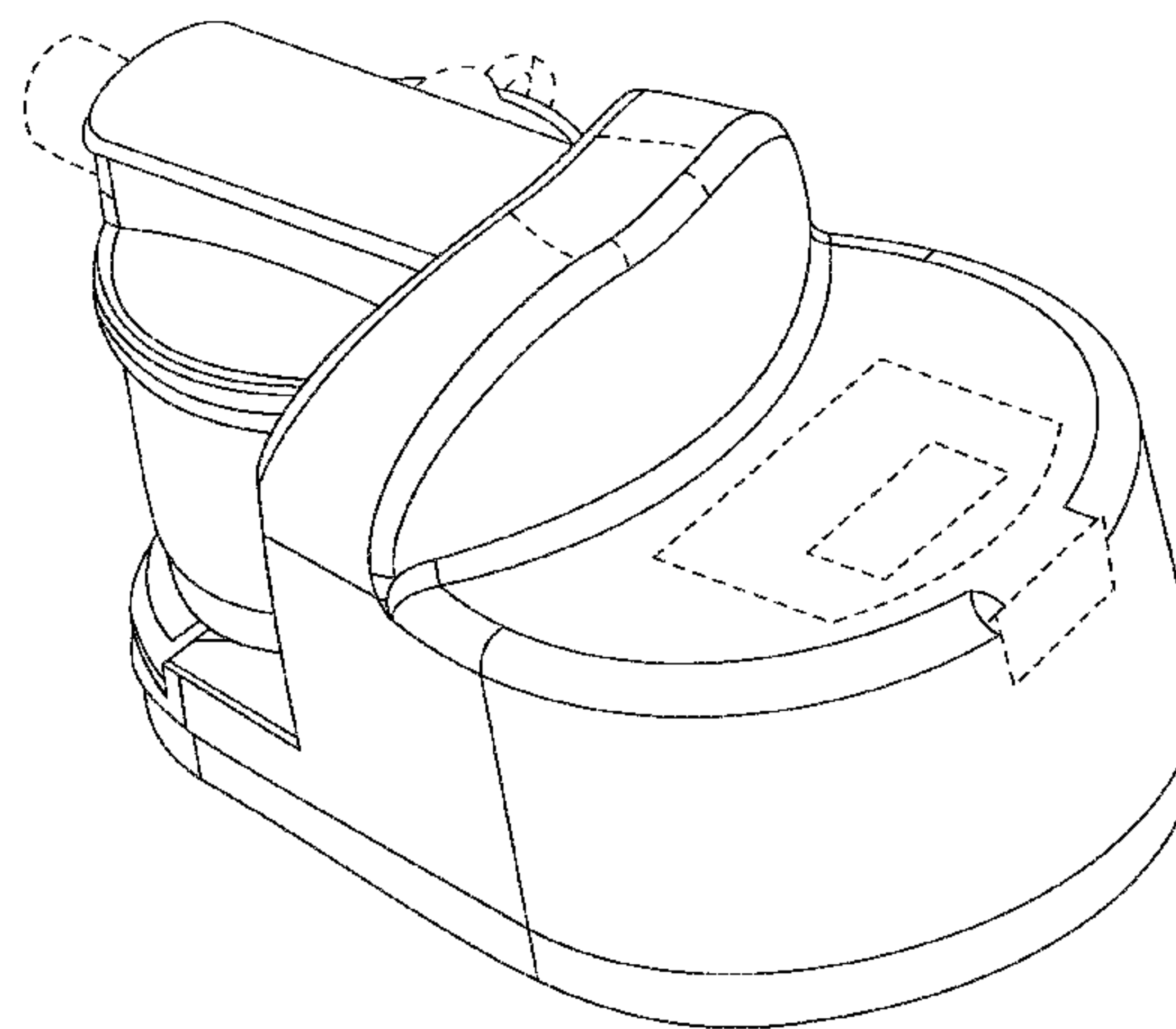
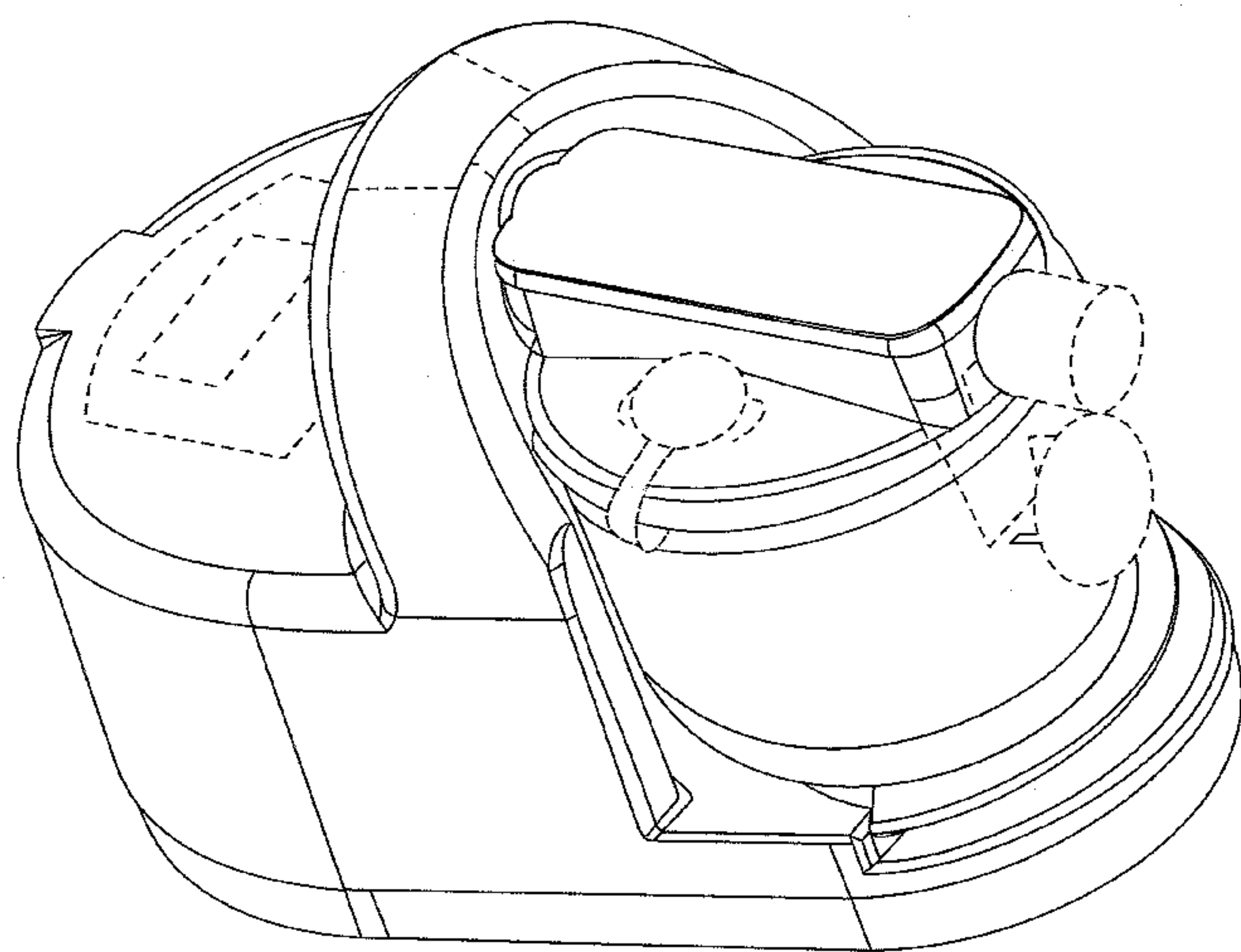
FIG. 4 is a left side elevation view thereof, the right side being a mirror image thereof;

FIG. 5 is a rear elevation view thereof; and,

FIG. 6 is a top view thereof.

The broken-line portions of the respiratory therapy system in FIGS. 1-6 are shown for illustrative purposes only and form no part of the claimed design.

1 Claim, 6 Drawing Sheets



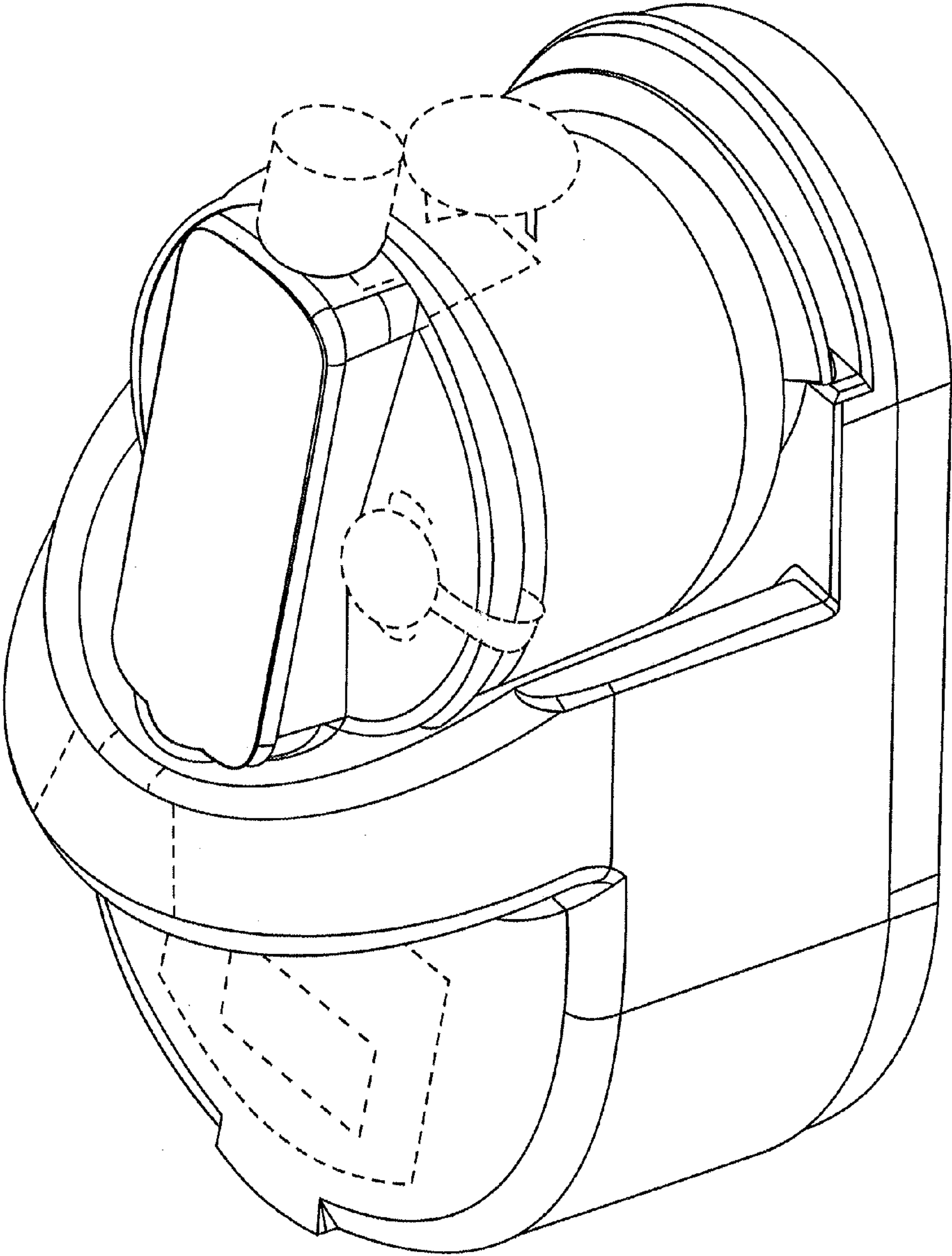


FIG. 1

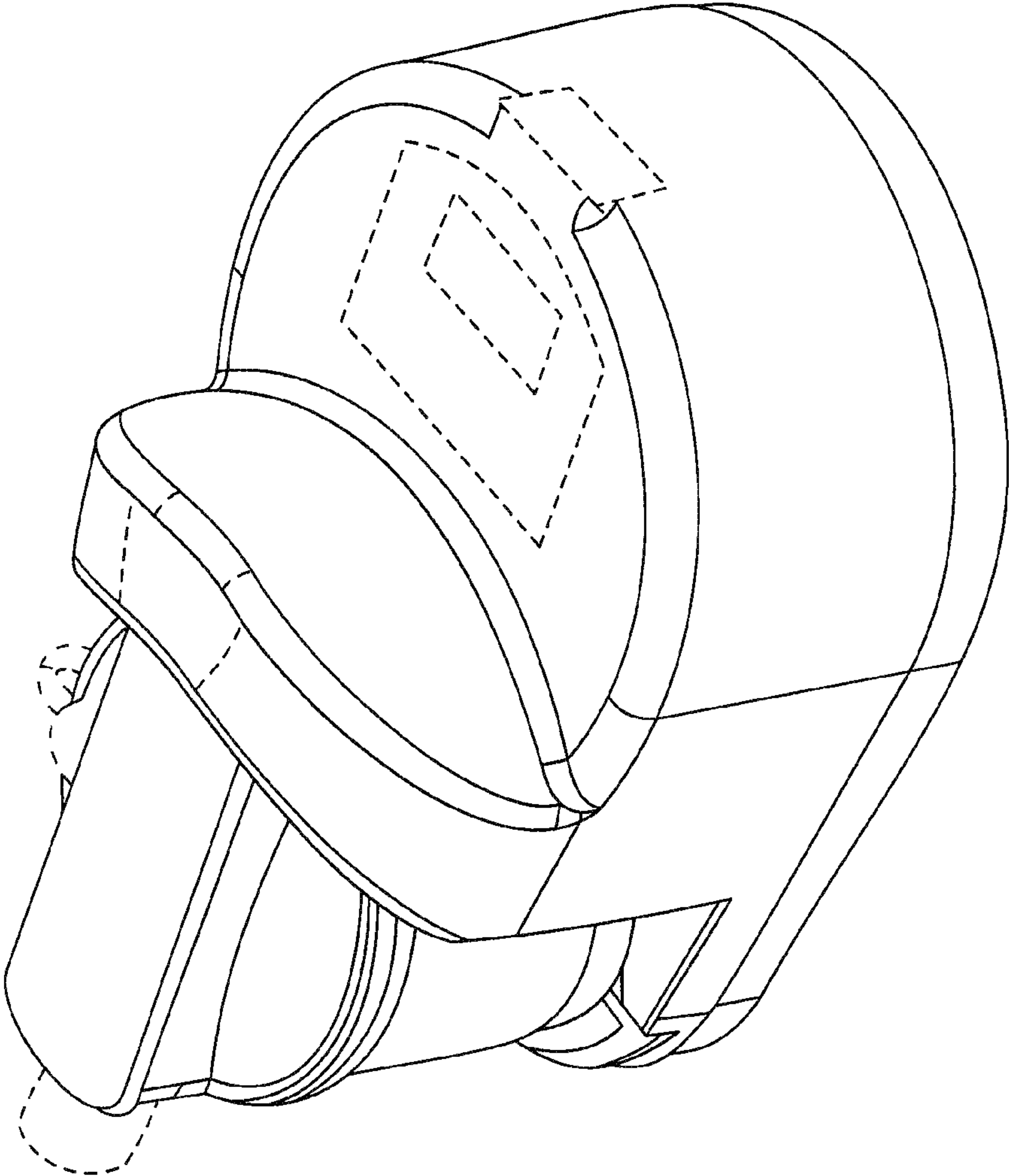


FIG. 2

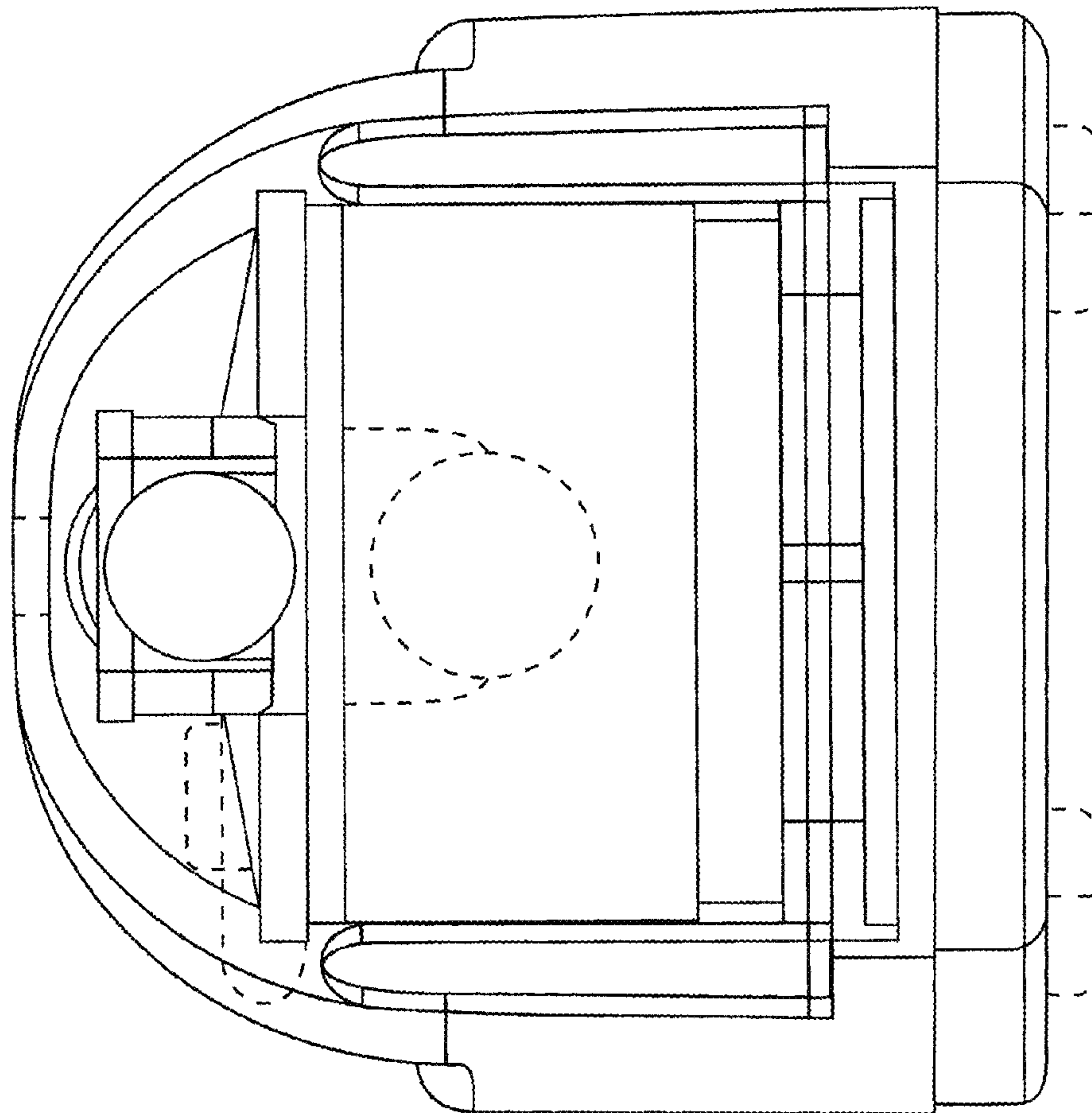


FIG. 3

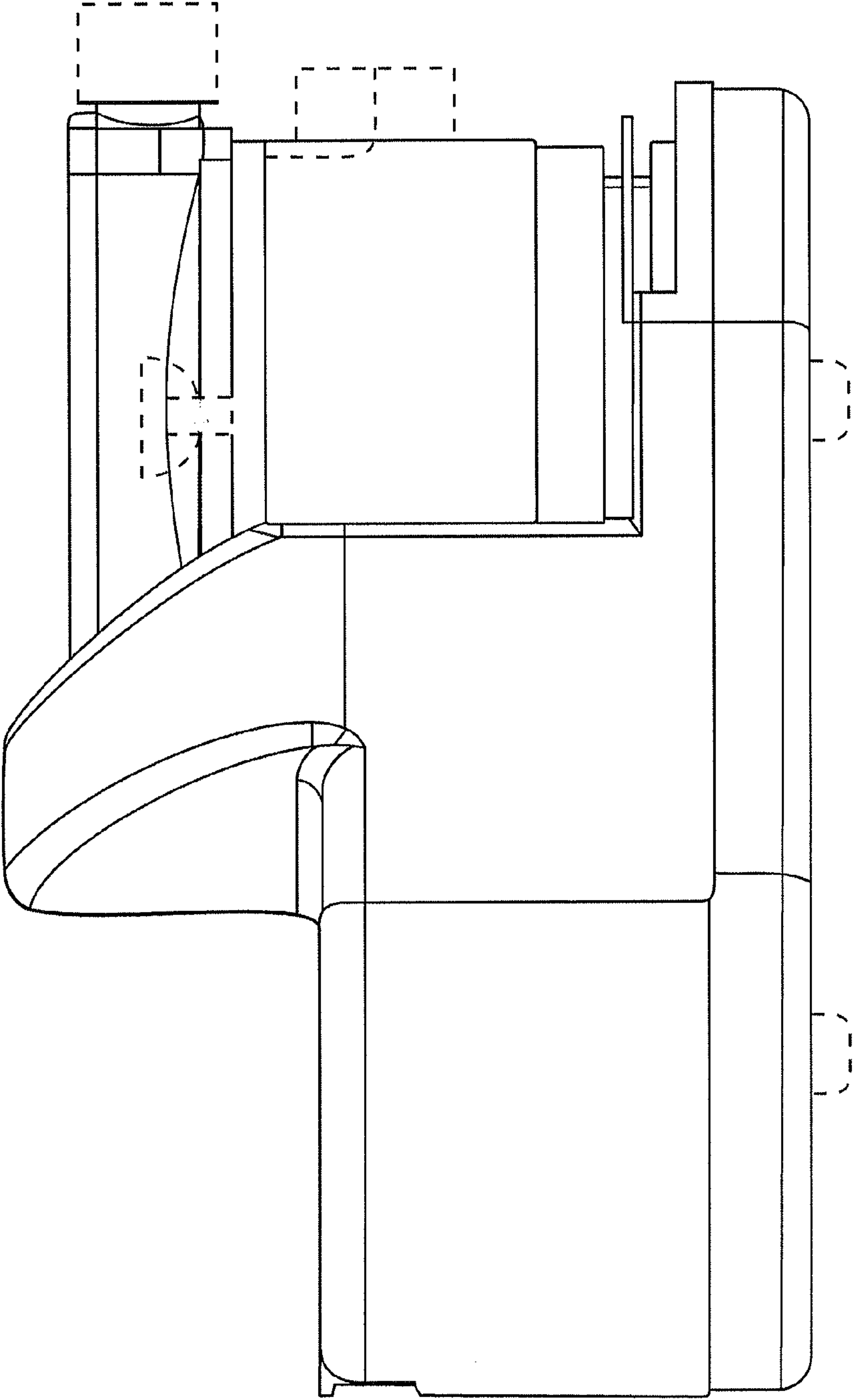


FIG. 4

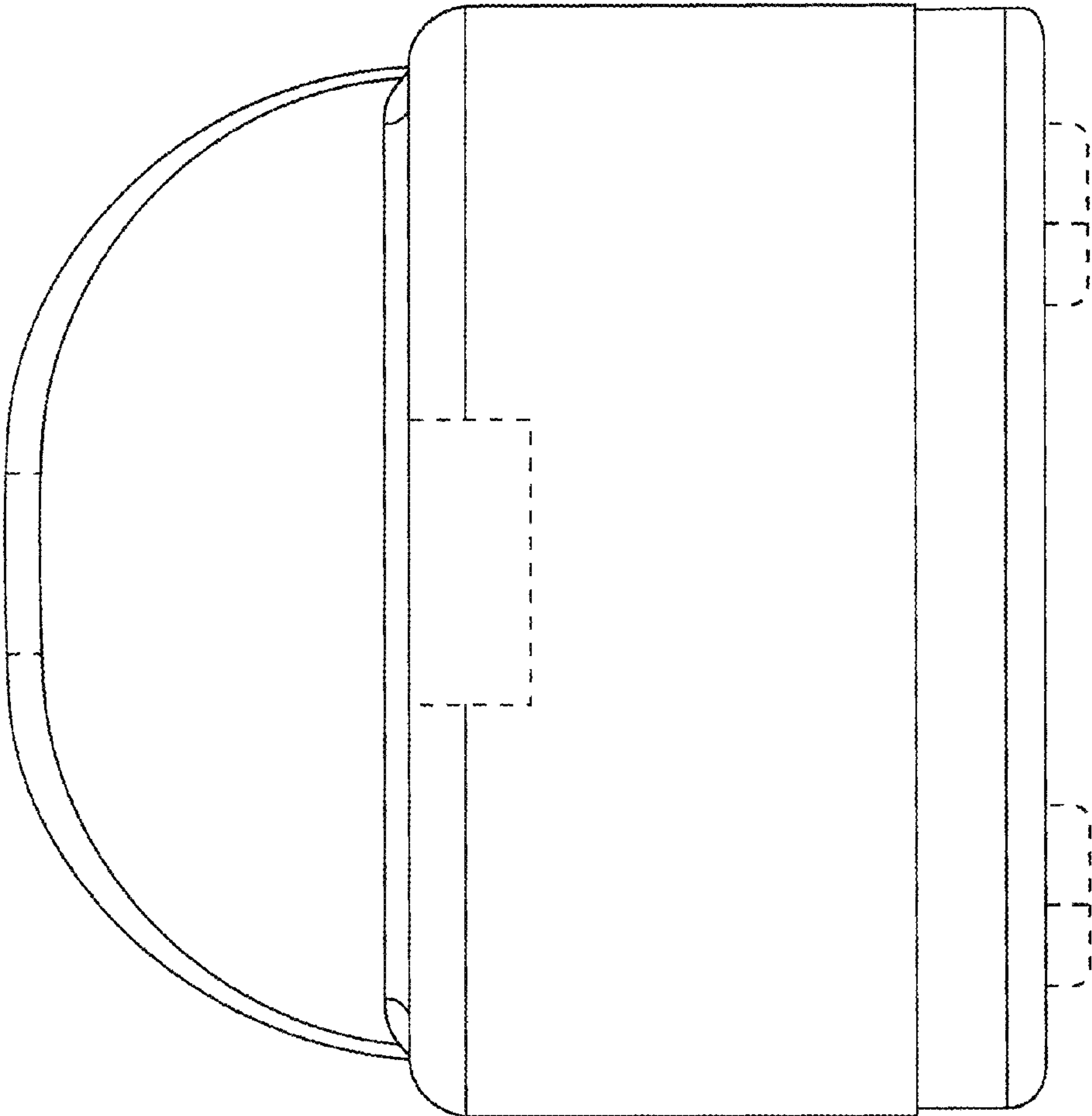


FIG. 5

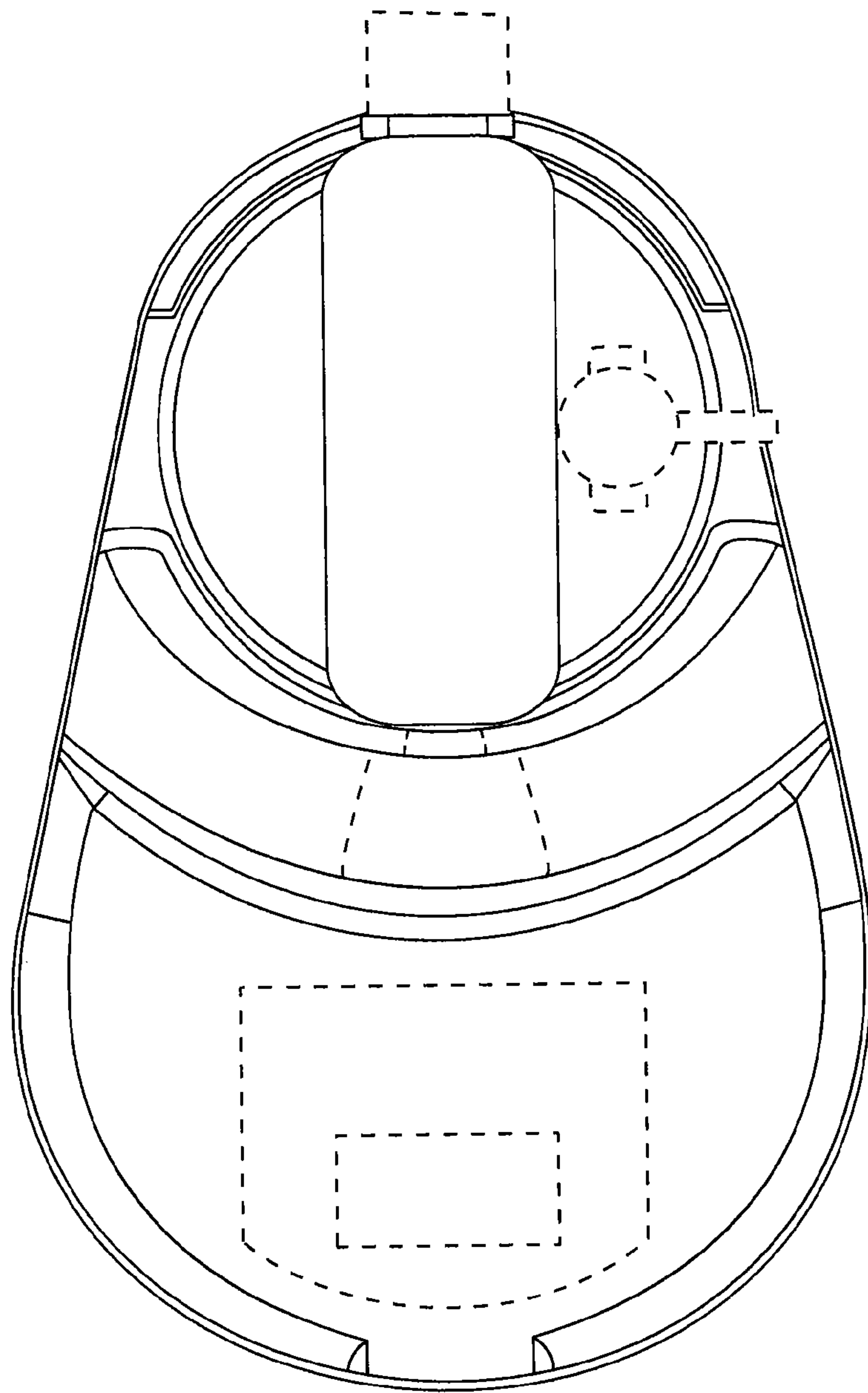


FIG. 6