



US00D671205S

(12) **United States Design Patent**
Guney et al.

(10) **Patent No.:** **US D671,205 S**
(45) **Date of Patent:** **** Nov. 20, 2012**

- (54) **FOREHEAD SUPPORT FOR A MASK**
- (75) Inventors: **Memduh Guney**, Killara (AU);
Timothy Tsun-Fai Fu, Carlingford (AU);
Perry D. Lithgow, Glenwood (AU);
Amal S. Amarasinghe, West Pennant Hills (AU);
Joanne E. Drew, Balgowlah Heights (AU);
Jim Saada, Kellyville (AU);
Borivoje Ljubojevic, Ryde (AU);
Anthony Ging, Summer Hill (CA);
Susan R. Lynch, Epping (AU);
Gary C. Robinson, East Killara (AU);
Robert H. Frater, Lindfield (AU)
- (73) Assignee: **ResMed Limited**, Bella Vista (AU)
- (**) Term: **14 Years**
- (21) Appl. No.: **29/290,086**
- (22) Filed: **Oct. 19, 2007**

D355,484 S *	2/1995	Rinehart	D24/110.1
D402,755 S	12/1998	Kwok		
D421,118 S *	2/2000	Reischel et al.	D24/110.6
6,112,746 A	9/2000	Kwok et al.		
D439,326 S	3/2001	Hecker et al.		
D443,355 S	6/2001	Gunaratnam et al.		
D457,622 S	5/2002	Kopacko et al.		
D468,823 S	1/2003	Smart		
6,532,961 B1 *	3/2003	Kwok et al.	128/206.21
6,581,594 B1	6/2003	Drew et al.		
D476,732 S	7/2003	Smart		
D486,226 S *	2/2004	Guney et al.	D24/110.1
D486,227 S *	2/2004	Fu et al.	D24/110.1
D492,992 S	7/2004	Guney et al.		
D493,885 S *	8/2004	Raje et al.	D24/110.1
6,823,869 B2	11/2004	Raje et al.		
D502,260 S *	2/2005	Lang et al.	D24/110.1
6,860,269 B2	3/2005	Kwok et al.		
D515,204 S	2/2006	Guney et al.		
D539,901 S *	4/2007	McAuliffe et al.	D24/110.1
D558,332 S *	12/2007	Ng et al.	D24/110.1
D562,445 S *	2/2008	McAuliffe et al.	D24/110.1
D567,936 S *	4/2008	Raje et al.	D24/110.1
D573,709 S *	7/2008	Rudolph	D24/110.1

(Continued)

Related U.S. Application Data

- (60) Continuation of application No. 29/233,065, filed on Jun. 28, 2005, now Pat. No. Des. 556,898, which is a continuation of application No. 29/204,104, filed on Apr. 23, 2004, now Pat. No. Des. 515,204, which is a continuation of application No. 29/194,446, filed on Nov. 25, 2003, now Pat. No. Des. 492,992, which is a division of application No. 29/170,552, filed on Nov. 8, 2002, now Pat. No. Des. 486,226.
- (51) **LOC (9) Cl.** **24-02**
- (52) **U.S. Cl.** **D24/110**
- (58) **Field of Classification Search** D24/110,
D24/110.4, 110.5; 128/207.12, 207.13, 204.12,
128/206.21, 206.24–206.25, 206.27, 206.12
See application file for complete search history.

(56) **References Cited**

U.S. PATENT DOCUMENTS

D322,318 S 12/1991 Sullivan
5,074,297 A 12/1991 Venegas

Primary Examiner — Eric Goodman

(74) *Attorney, Agent, or Firm* — Nixon & Vanderhye P.C.

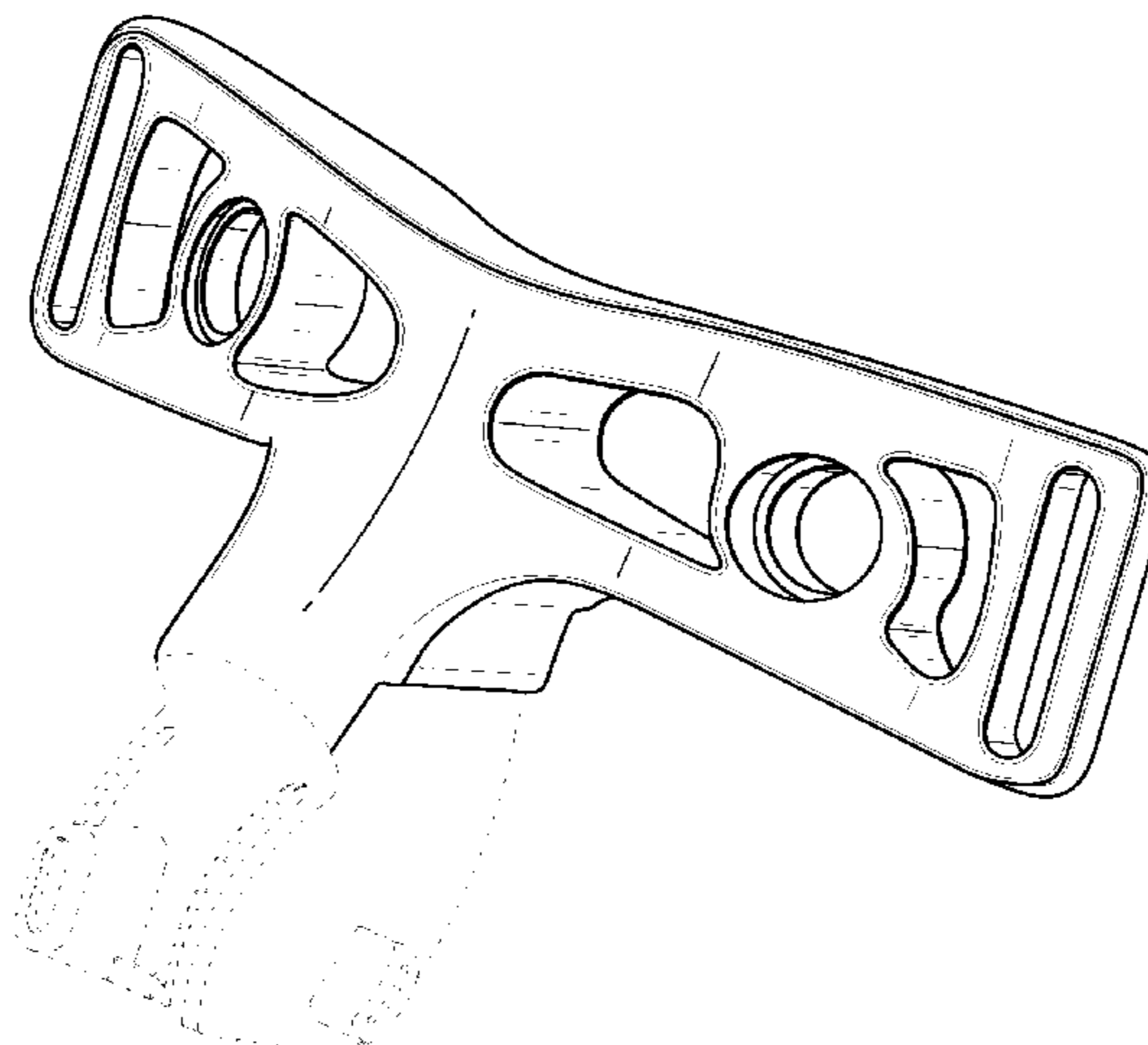
(57) **CLAIM**

The ornamental appearance for a forehead support for a mask, as shown and described.

DESCRIPTION

FIG. 1 is a front perspective view of a forehead support for a mask according to our design;
FIG. 2 is a front view thereof;
FIG. 3 is a rear view thereof;
FIG. 4 is a top view thereof;
FIG. 5 is a bottom view thereof;
FIG. 6 is a left side view thereof; and,
FIG. 7 is a right side view thereof.
Where included, broken lines showing environment or structure are for illustrative purposes only and form no part of the claimed design.

1 Claim, 6 Drawing Sheets



US D671,205 S

Page 2

U.S. PATENT DOCUMENTS

D582,546	S *	12/2008	Fujiura et al.	D24/110.1	2004/0118406	A1	6/2004	Lithgow et al.	
7,753,050	B2 *	7/2010	Lithgow et al.	128/207.11	2004/0211427	A1 *	10/2004	Jones et al.	128/206.27
2003/0034034	A1 *	2/2003	Kwok et al.	128/206.21	2006/0100538	A1 *	5/2006	Genger et al.	600/544
2003/0062048	A1	4/2003	Gradon et al.		2006/0196509	A1 *	9/2006	Drew et al.	128/206.21
2003/0089373	A1	5/2003	Gradon et al.		2007/0215161	A1 *	9/2007	Frater et al.	128/206.24
2004/0112384	A1 *	6/2004	Lithgow et al.	128/206.21					

* cited by examiner

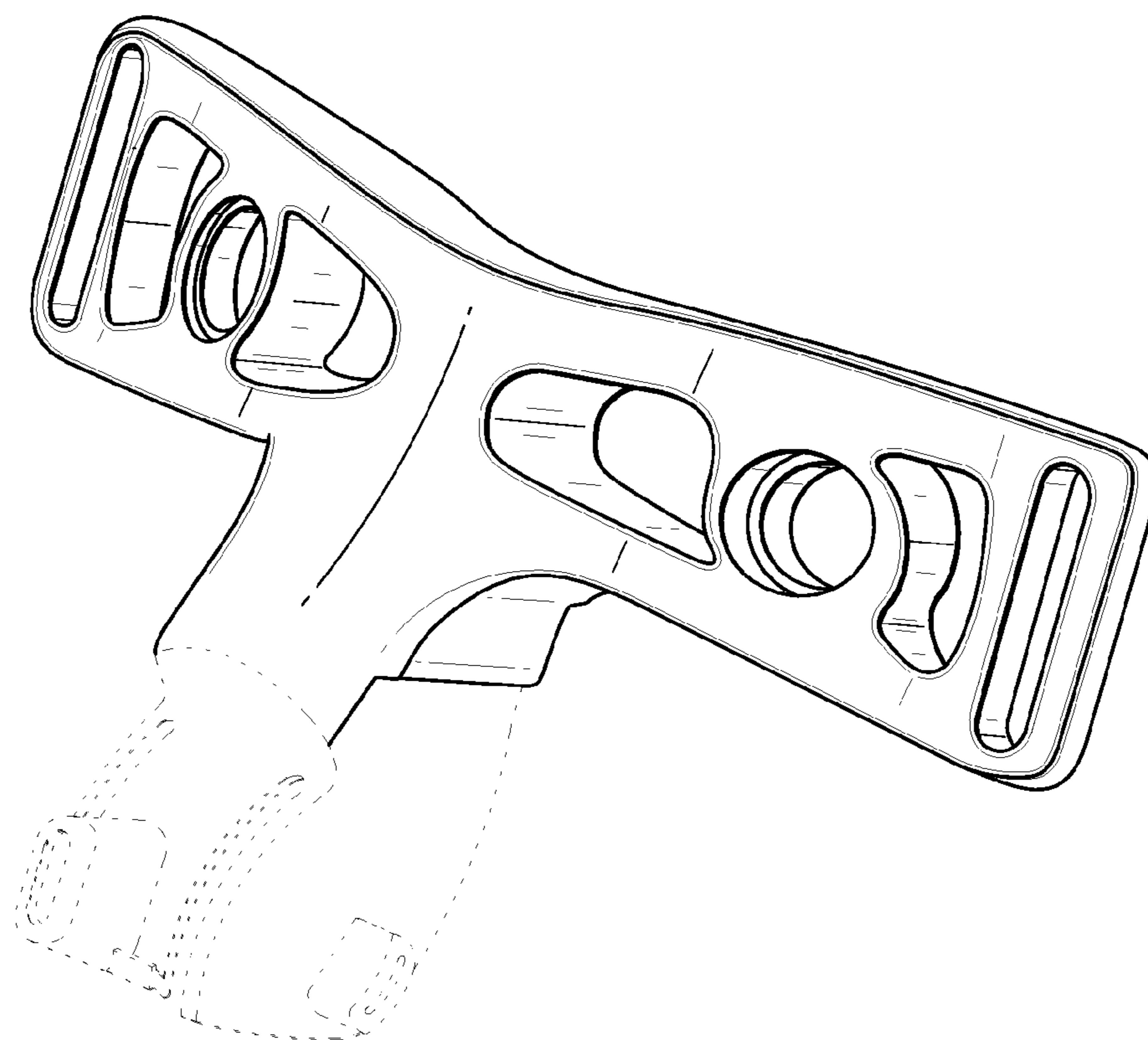


Fig. 1

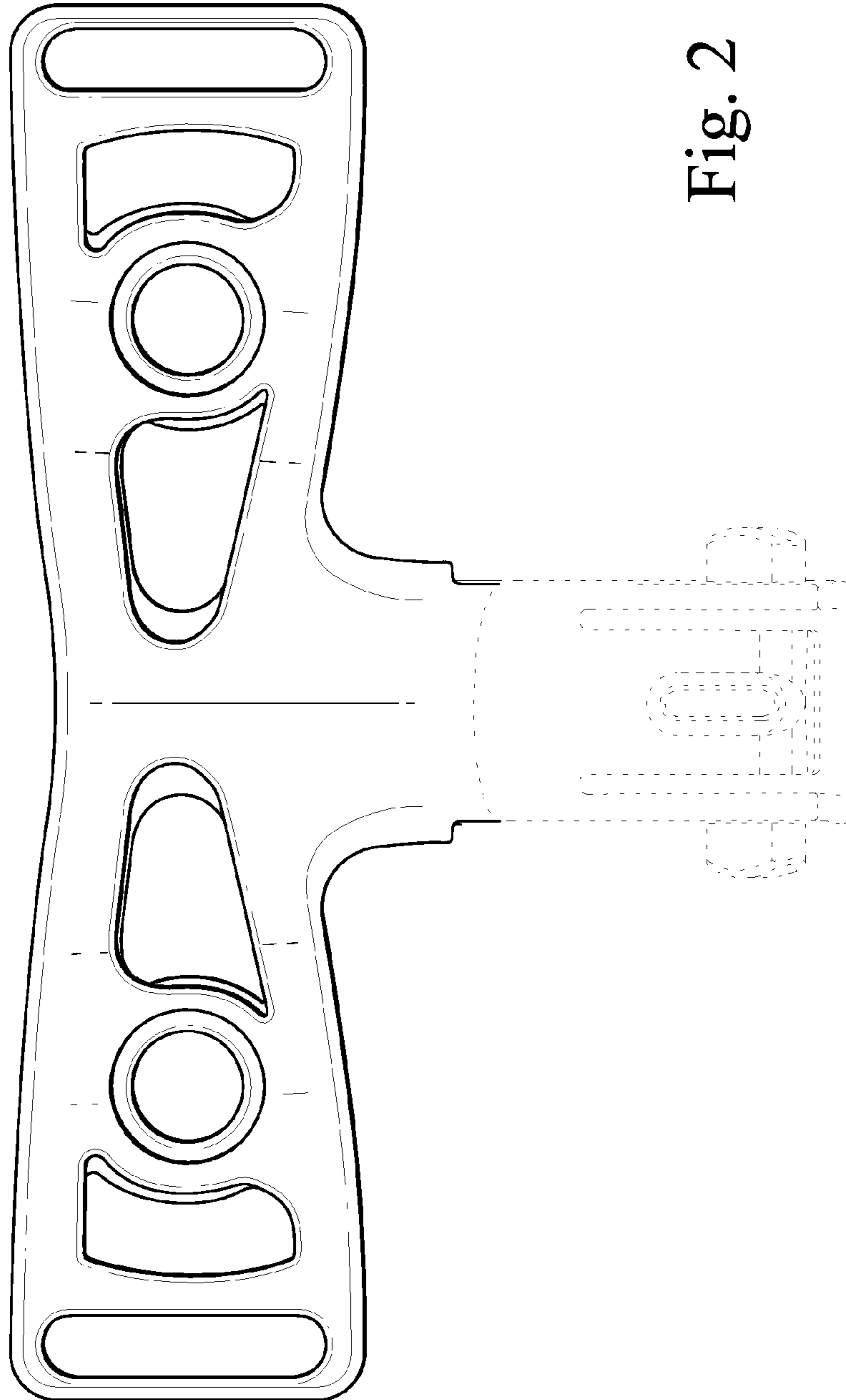


Fig. 2

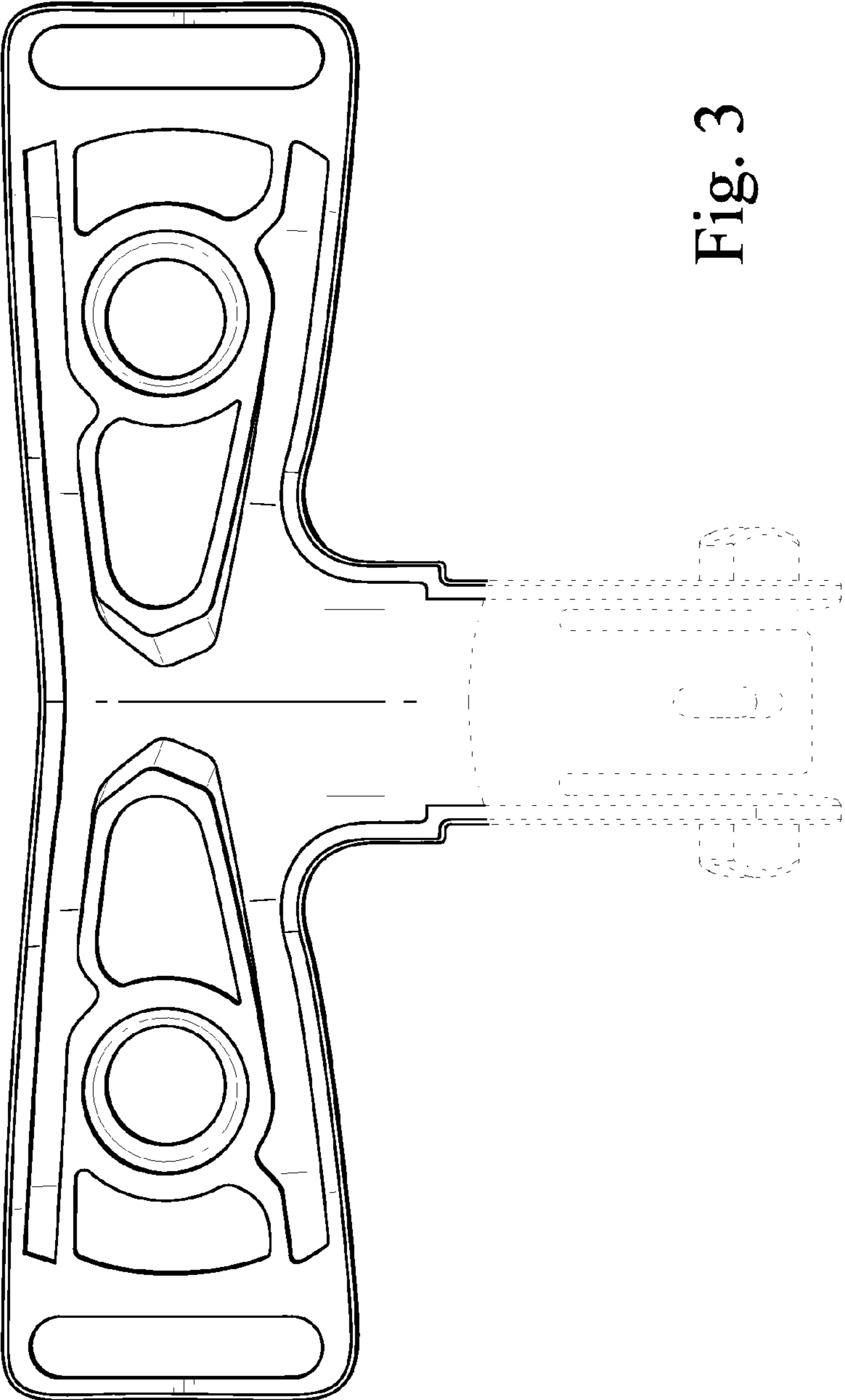


Fig. 3

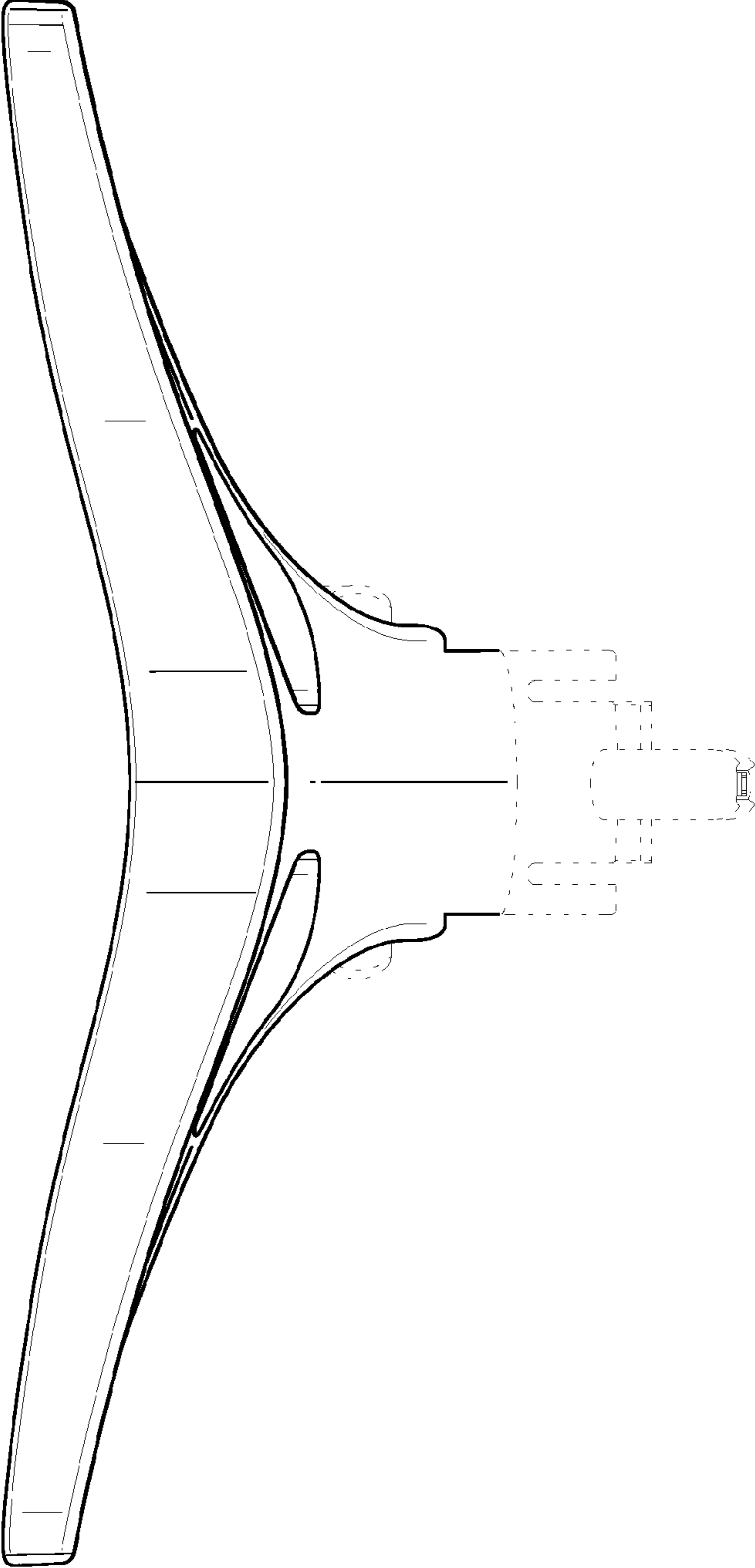


Fig. 4

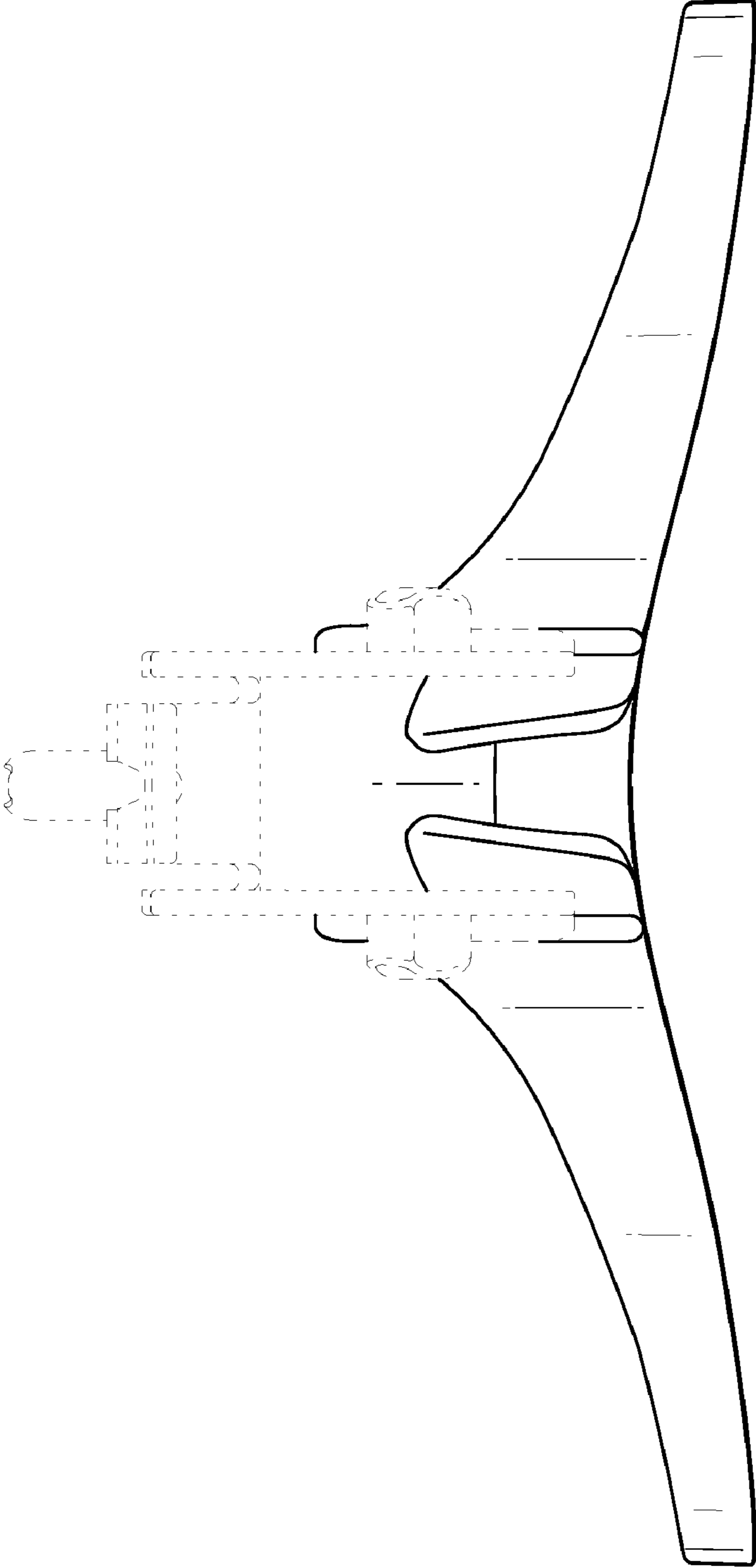


Fig. 5

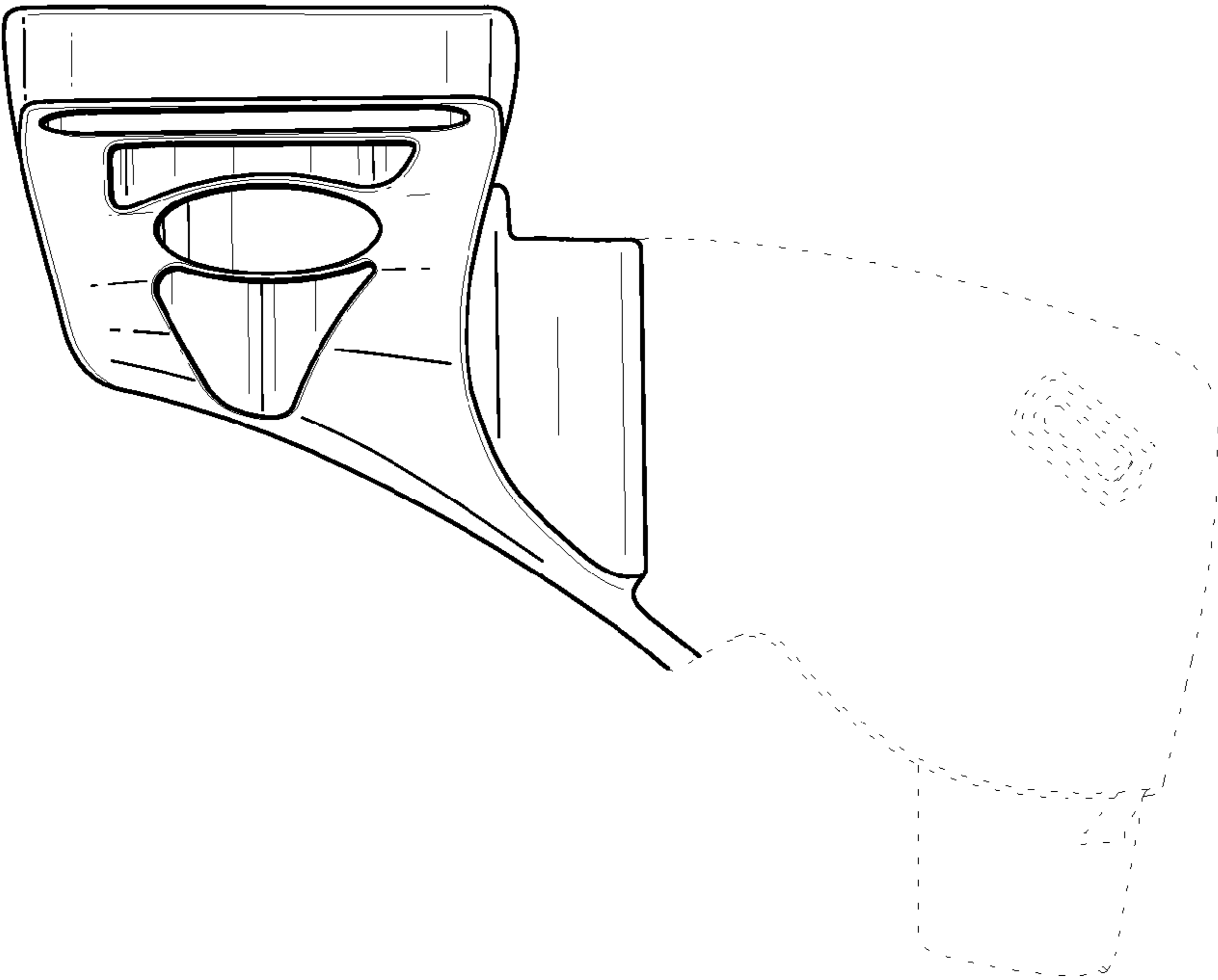


Fig. 7

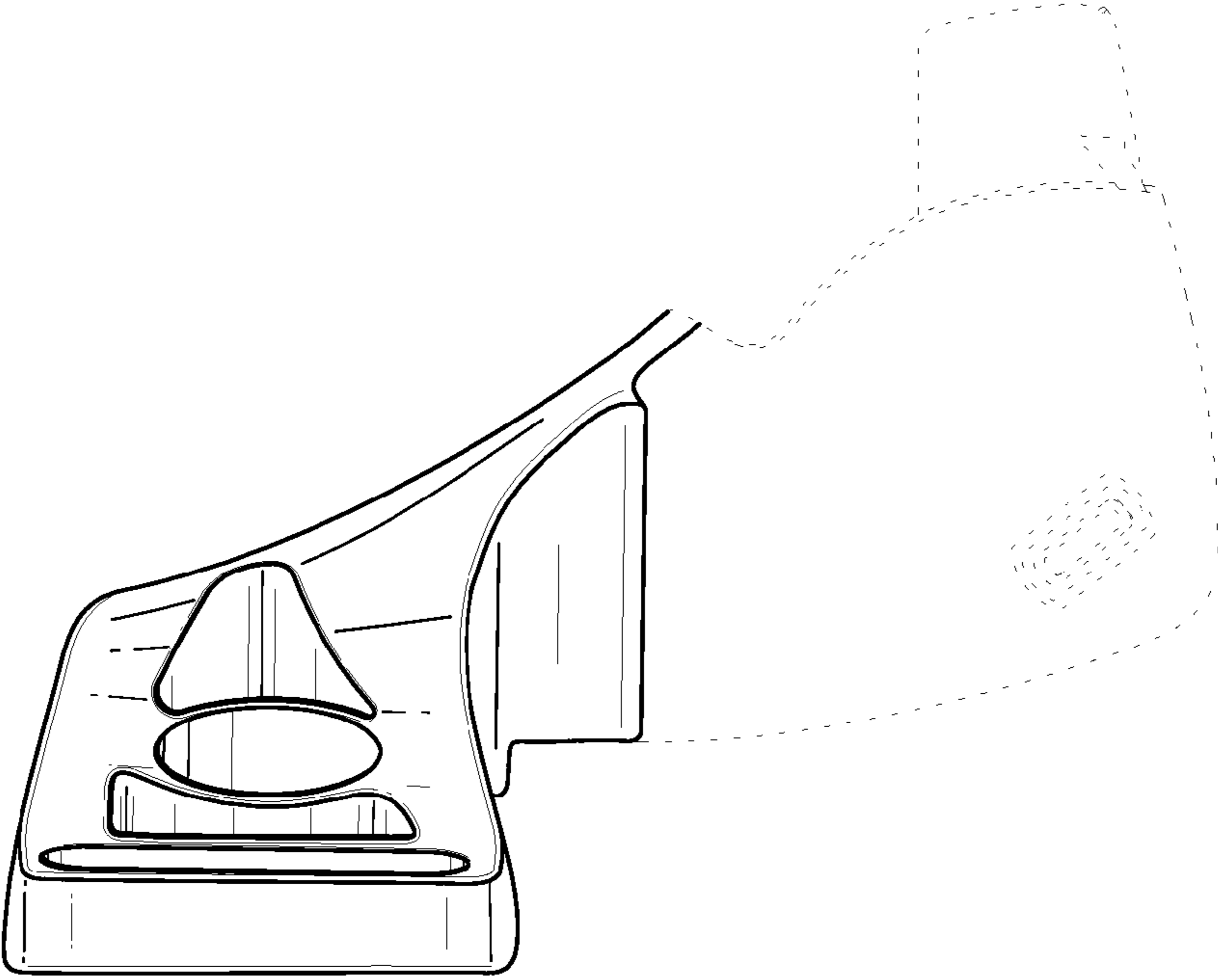


Fig. 6