



US00D671204S

(12) **United States Design Patent**  
**Kovash et al.**

(10) **Patent No.:** **US D671,204 S**

(45) **Date of Patent:** **\*\* Nov. 20, 2012**

(54) **FLARE STACK BURNER ASSEMBLY**

(75) Inventors: **Dean A. Kovash**, Manning, ND (US);  
**Todd C. Mayer**, Dickinson, ND (US)

(73) Assignee: **Steffes Corporation**, Dickinson, ND  
(US)

(\*\*) Term: **14 Years**

(21) Appl. No.: **29/413,290**

(22) Filed: **Feb. 14, 2012**

(51) **LOC (9) Cl.** ..... **23-03**

(52) **U.S. Cl.** ..... **D23/415**

(58) **Field of Classification Search** ..... D23/403–406,  
D23/415–419, 421, 422, 499, 343–345, 347,  
D23/349, 386; D7/402, 407, 408, 416, 417;  
40/798; 44/520, 530; 52/36.3; 126/25 B,  
126/298, 500, 512, 540, 543, 544, 548, 555;  
160/DIG. 9; 431/36, 208, 263, 273, 329

See application file for complete search history.

(56) **References Cited**

**U.S. PATENT DOCUMENTS**

2,483,437	A *	10/1949	Rizer	431/129
2,631,603	A *	3/1953	Shook	137/466
2,746,061	A *	5/1956	Bennett	4/412
3,192,900	A *	7/1965	Lippke	119/14.08
3,506,240	A *	4/1970	Modrin	251/315.12
3,749,546	A	7/1973	Reed et al.	
3,833,337	A	9/1974	Desty et al.	
3,860,972	A *	1/1975	Costello	4/397
3,915,622	A	10/1975	Desty et al.	
3,972,076	A *	8/1976	Martini	4/345
4,021,189	A	5/1977	Swann et al.	
4,073,613	A	2/1978	Desty	
4,099,908	A *	7/1978	Beckmann et al.	431/284

4,344,751	A *	8/1982	Chesters	431/202
4,486,167	A *	12/1984	McMurray et al.	431/114
4,634,372	A	1/1987	Allum et al.	
5,277,248	A *	1/1994	Breland	166/70
5,389,080	A *	2/1995	Yoon	604/167.03
6,062,253	A *	5/2000	Hanel et al.	137/360
6,155,498	A *	12/2000	Yamamoto	239/373
6,616,062	B2 *	9/2003	Boecking	239/96
6,708,946	B1 *	3/2004	Edwards et al.	251/58
6,960,075	B2 *	11/2005	Rajewski	431/202
7,328,680	B1 *	2/2008	Diamond	123/190.14
8,118,783	B2 *	2/2012	Smith	604/164.04
2002/0074423	A1 *	6/2002	Boecking	239/88
2006/0217666	A1 *	9/2006	Wenchell	604/167.03

\* cited by examiner

*Primary Examiner* — Karen S Acker

(74) *Attorney, Agent, or Firm* — Westman, Champlin & Kelly, P.A.

(57) **CLAIM**

The ornamental design for a flare stack burner assembly, as shown and described.

**DESCRIPTION**

FIG. 1 is a perspective of the flare stack burner assembly;

FIG. 2 is a front elevational view thereof;

FIG. 3 is a right side elevational view thereof;

FIG. 4 is a left side elevational view thereof;

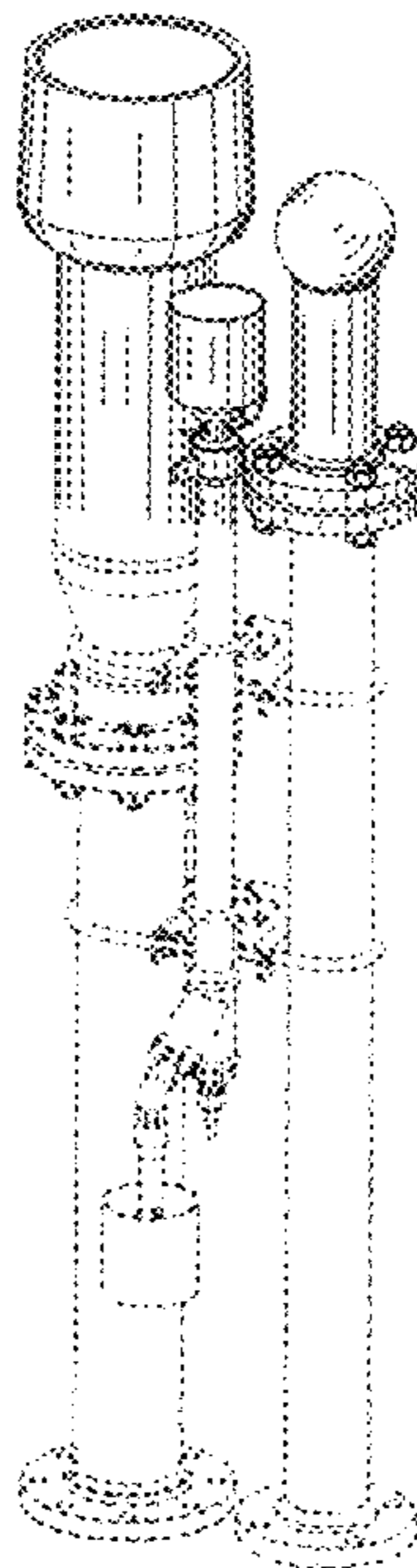
FIG. 5 is a rear elevational view thereof; and,

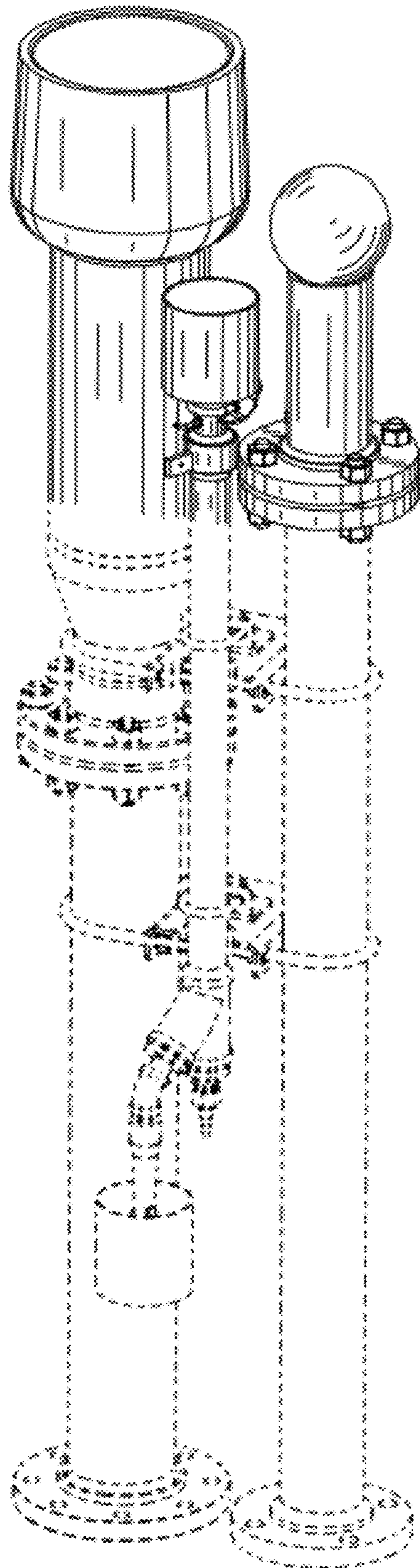
FIG. 6 is a top plan view thereof.

The broken lines in the drawing represent environmental subject matter and form no part of the claim.

The flare stack burner assembly comprises a high pressure flare stack burner, a low pressure flare stack burner having a spherical valve and a central pilot.

**1 Claim, 4 Drawing Sheets**





*FIG. 1*

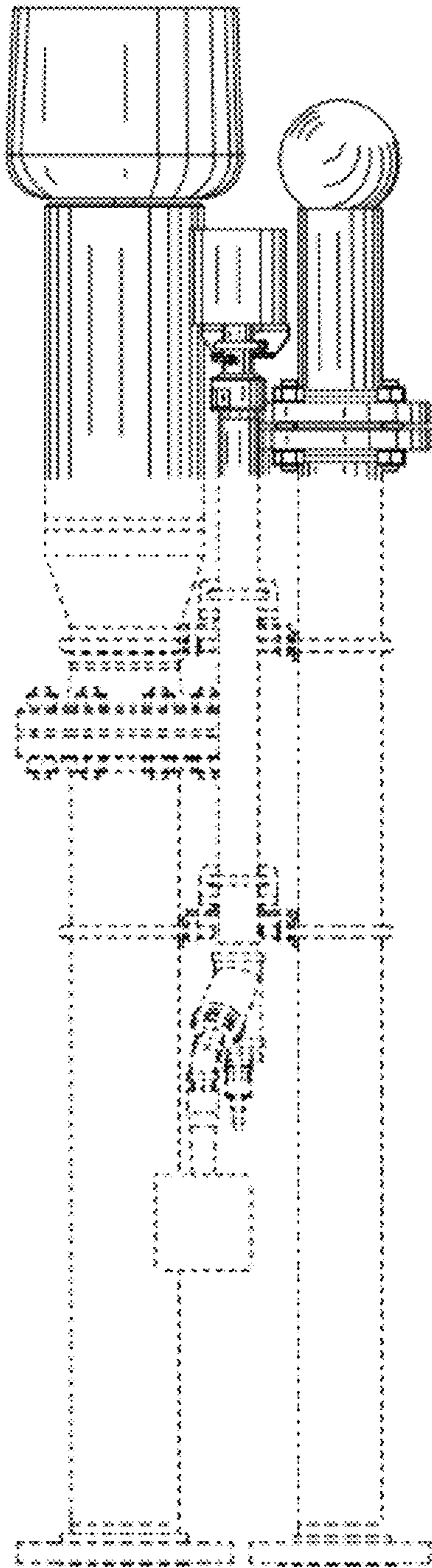


FIG. 2

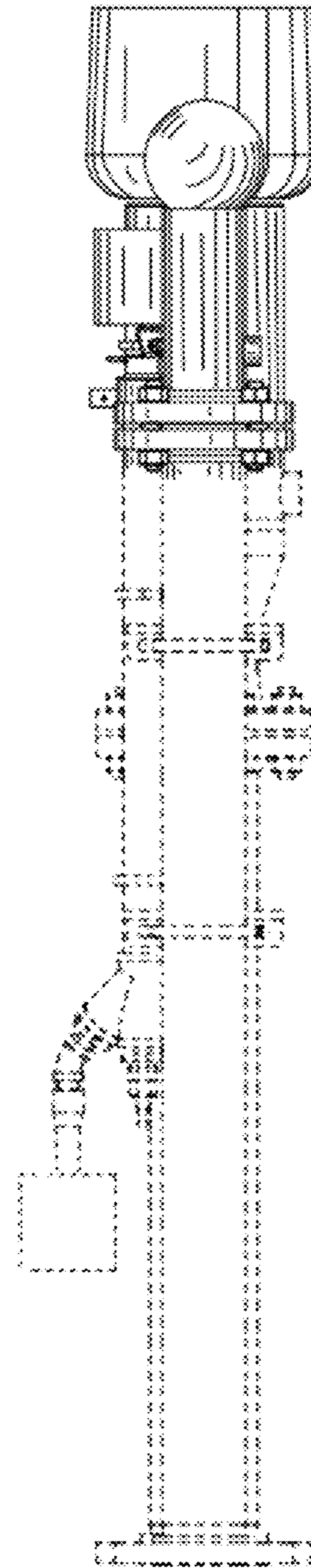


FIG. 3

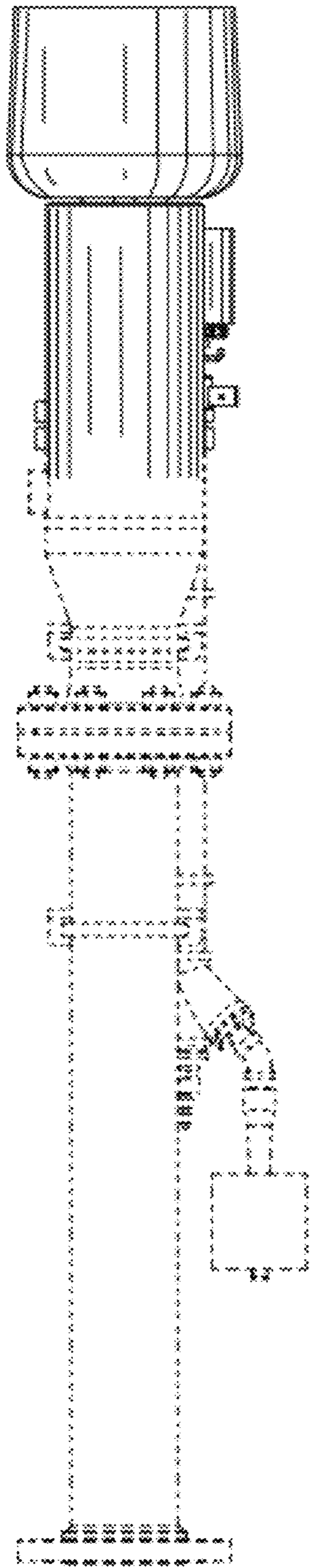


FIG. 4

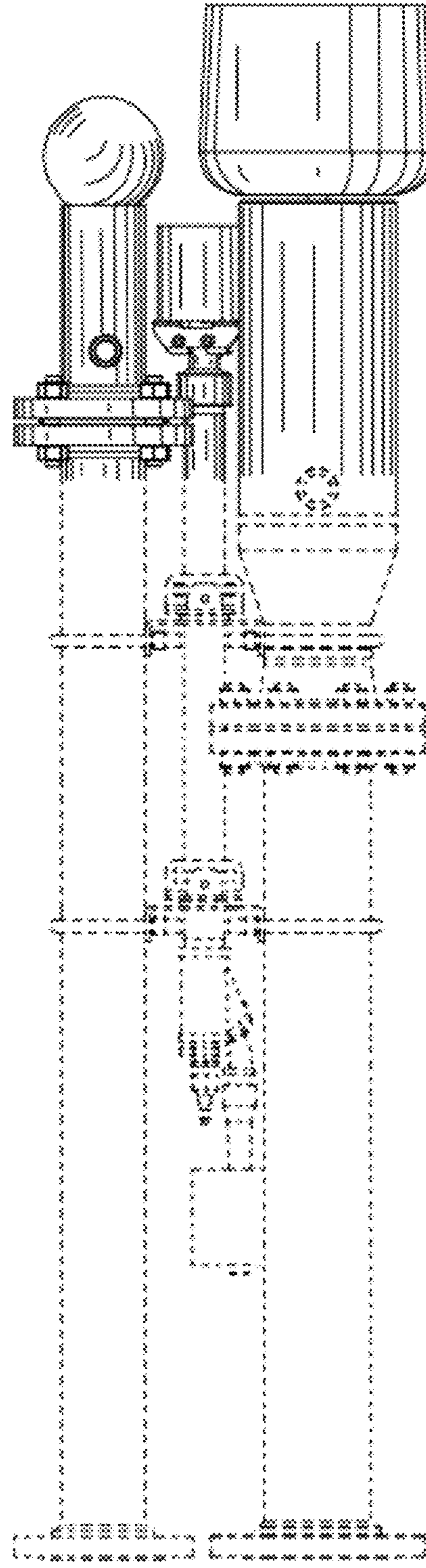
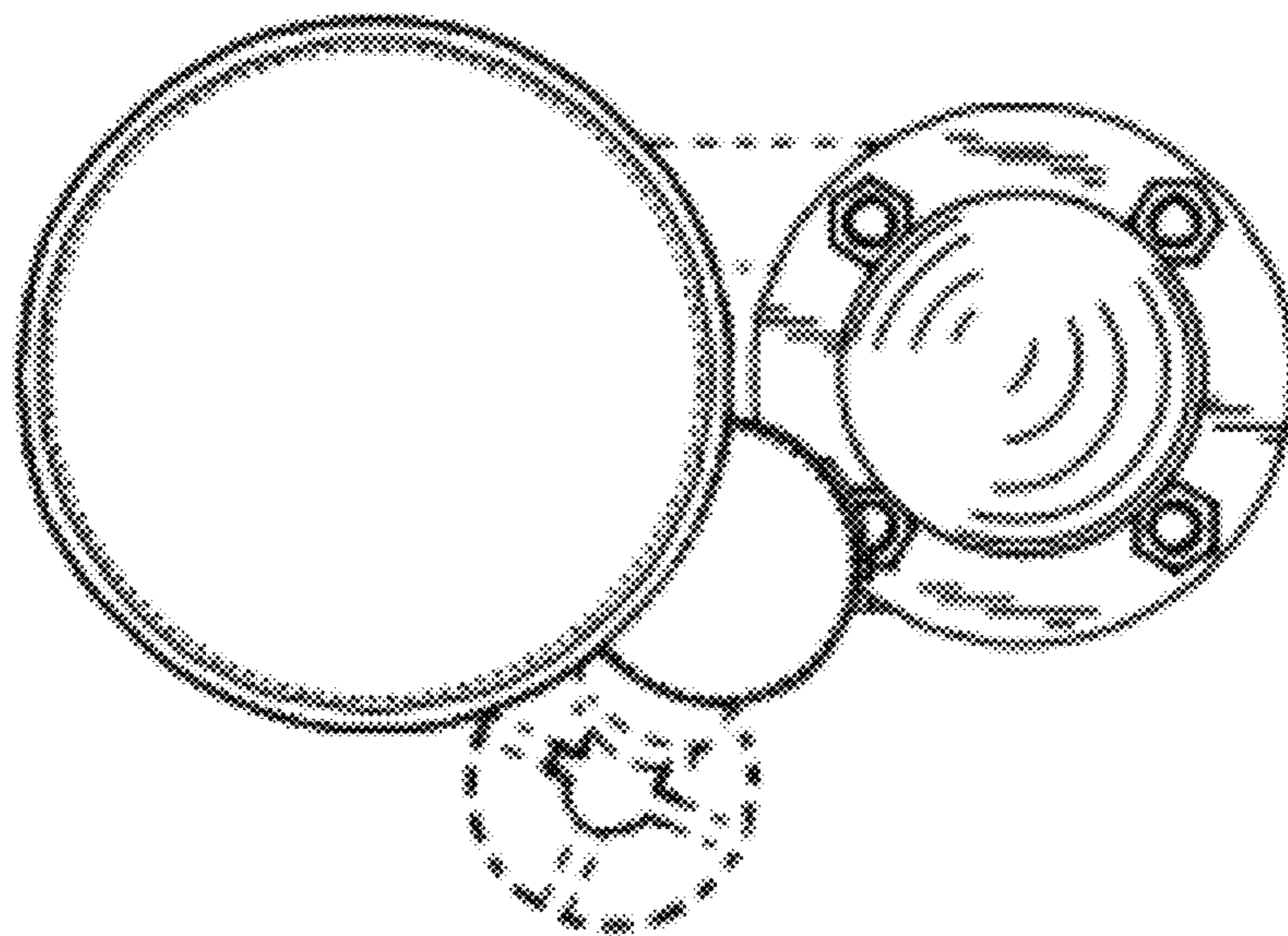


FIG. 5



*FIG. 6*