



US00D671203S

(12) **United States Design Patent**  
**Wang**

(10) **Patent No.:** **US D671,203 S**

(45) **Date of Patent:** **\*\* Nov. 20, 2012**

(54) **COMBINED CEILING FAN AND LIGHT KIT**

(75) Inventor: **Cliff Wang**, South District Taichung  
(TW)

(73) Assignee: **Air Cool Industrial Co., Ltd.**, Taichung  
(TW)

(\*\*) Term: **14 Years**

(21) Appl. No.: **29/388,418**

(22) Filed: **Mar. 29, 2011**

(51) **LOC (9) Cl.** ..... **23-04**

(52) **U.S. Cl.** ..... **D23/377; D26/59**

(58) **Field of Classification Search** ..... D13/179;  
D23/370-394, 411-414; D26/51, 59, 72,  
D26/81-86; 34/169; 52/302.1, 302.7; 55/DIG. 36;  
123/41.7; 126/58, 60, 61, 64-66, 84, 299 D-299 F,  
126/299 R, 300, 301, 312, 531; 138/118,  
138/121, 172, 173, 177; 165/54, 59; 285/133.6;  
392/364; 415/126, 127, 213.1, 214.1; 416/5,  
416/204 R, 210 R, 234, 237, 244 R, 247 R;  
454/41, 42, 233, 236, 250-253, 275-277,  
454/284, 309, 367, 368

See application file for complete search history.

(56) **References Cited**

**U.S. PATENT DOCUMENTS**

D97,601 S \* 11/1935 Funk ..... D23/413  
D105,260 S \* 7/1937 Brannan ..... D23/413

D408,518 S \* 4/1999 Liu ..... D23/377  
D484,964 S \* 1/2004 Young ..... D23/377  
D535,011 S \* 1/2007 Gajewski ..... D23/377  
D535,387 S \* 1/2007 Gajewski ..... D23/413  
D535,388 S \* 1/2007 Gajewski ..... D23/413  
D536,083 S \* 1/2007 Gajewski ..... D23/377  
D576,265 S \* 9/2008 Bucher et al. .... D23/377  
7,481,626 B2 \* 1/2009 Gajewski ..... 416/204 R  
D612,476 S \* 3/2010 Noble ..... D23/377  
D614,757 S \* 4/2010 Noble ..... D23/377  
D665,895 S \* 8/2012 Rasmussen ..... D23/379

\* cited by examiner

*Primary Examiner* — Garth Rademaker

(74) *Attorney, Agent, or Firm* — Ming Chow; Sinorica, LLC

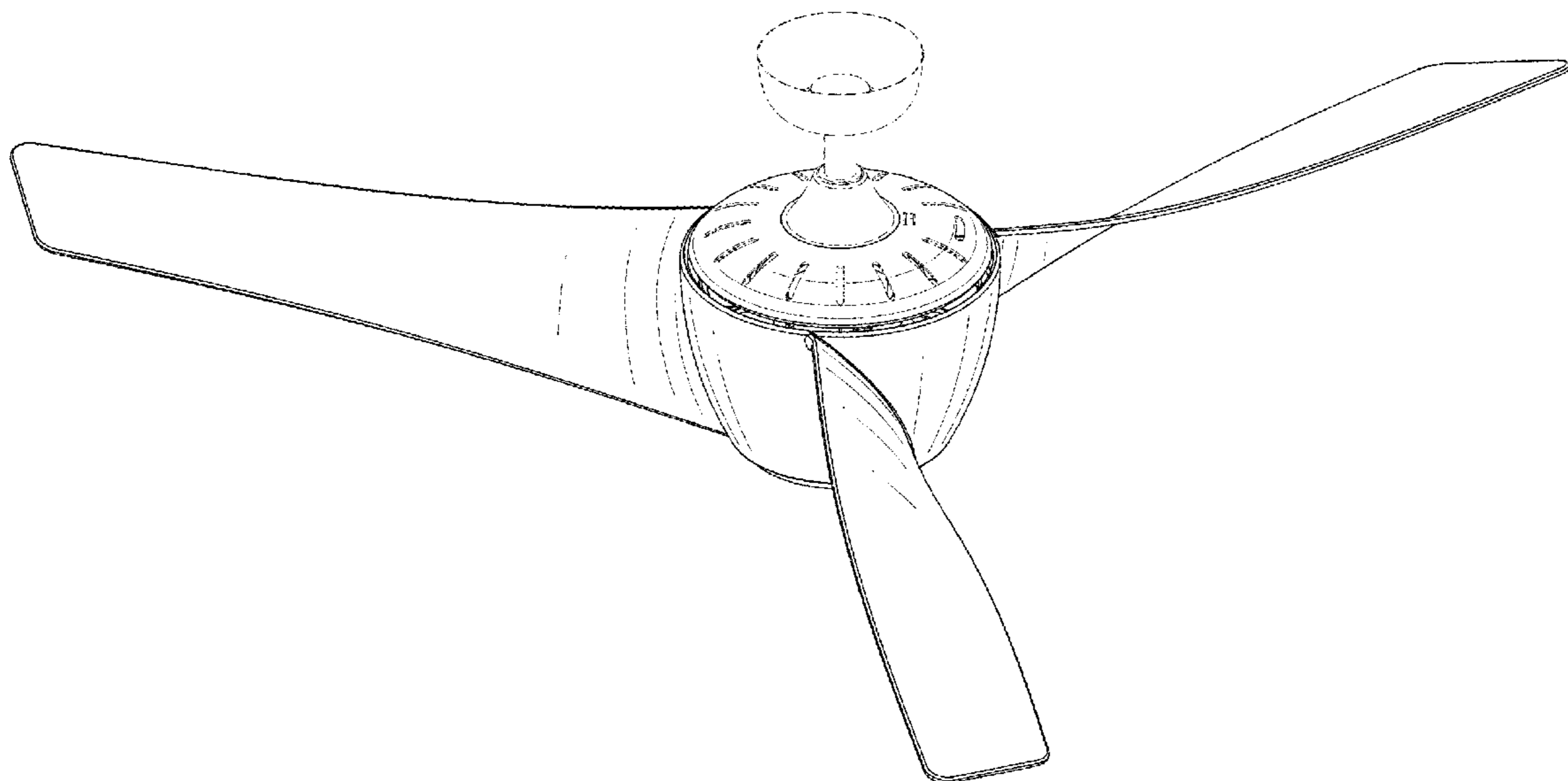
(57) **CLAIM**

I claim the ornamental design for a combined ceiling fan and light kit, as shown and described.

**DESCRIPTION**

FIG. 1 is a front perspective view of a combined ceiling fan and light kit showing my new design;  
FIG. 2 is a front elevational view thereof;  
FIG. 3 is a rear elevational view thereof.  
FIG. 4 is a left side elevational view thereof;  
FIG. 5 is a right side elevational view thereof;  
FIG. 6 is a top plan view thereof; and,  
FIG. 7 is a bottom plan view thereof.  
The broken lines depict environmental subject matter only and form no part of the claimed design.

**1 Claim, 5 Drawing Sheets**



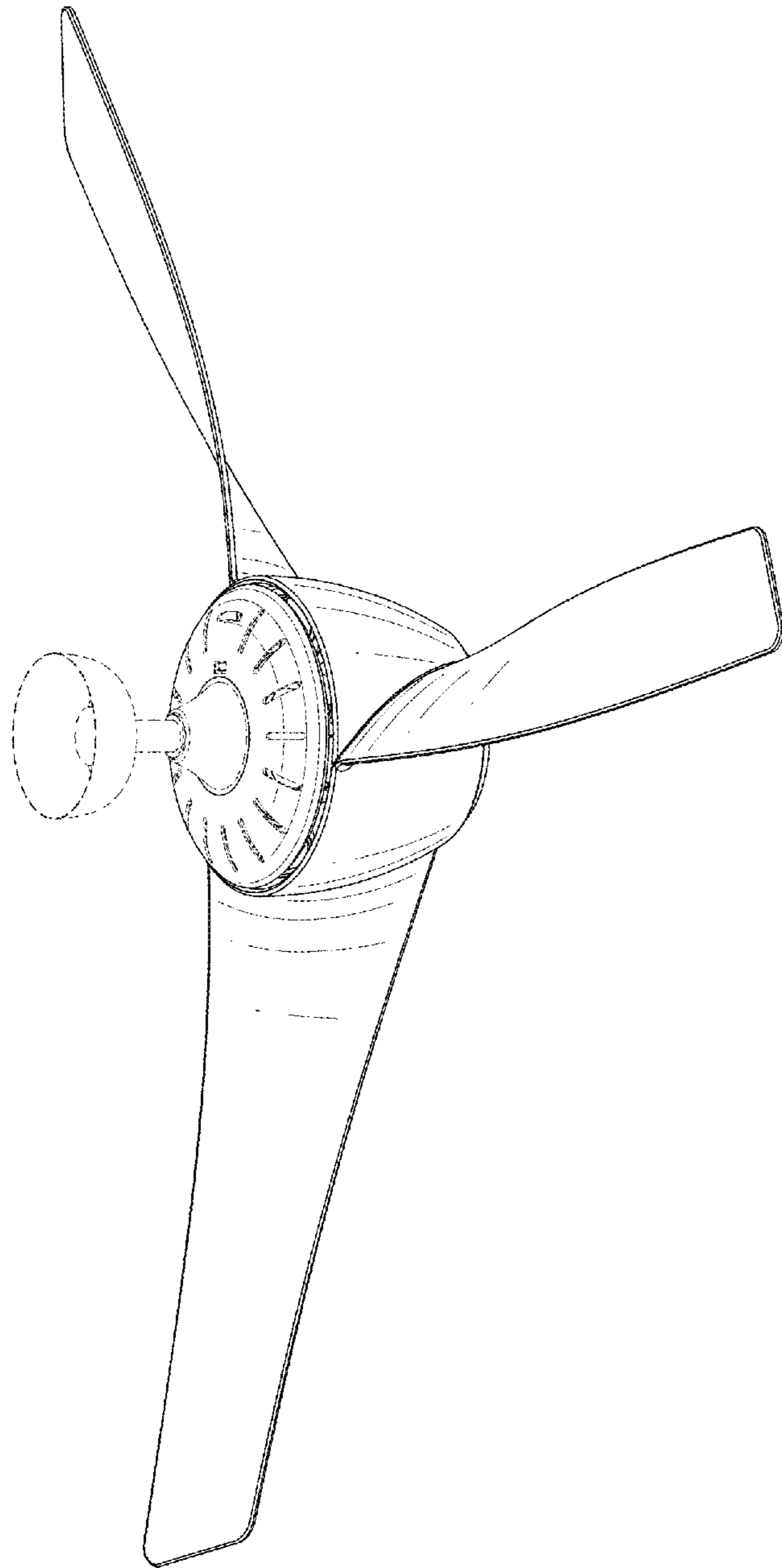


FIG. 1

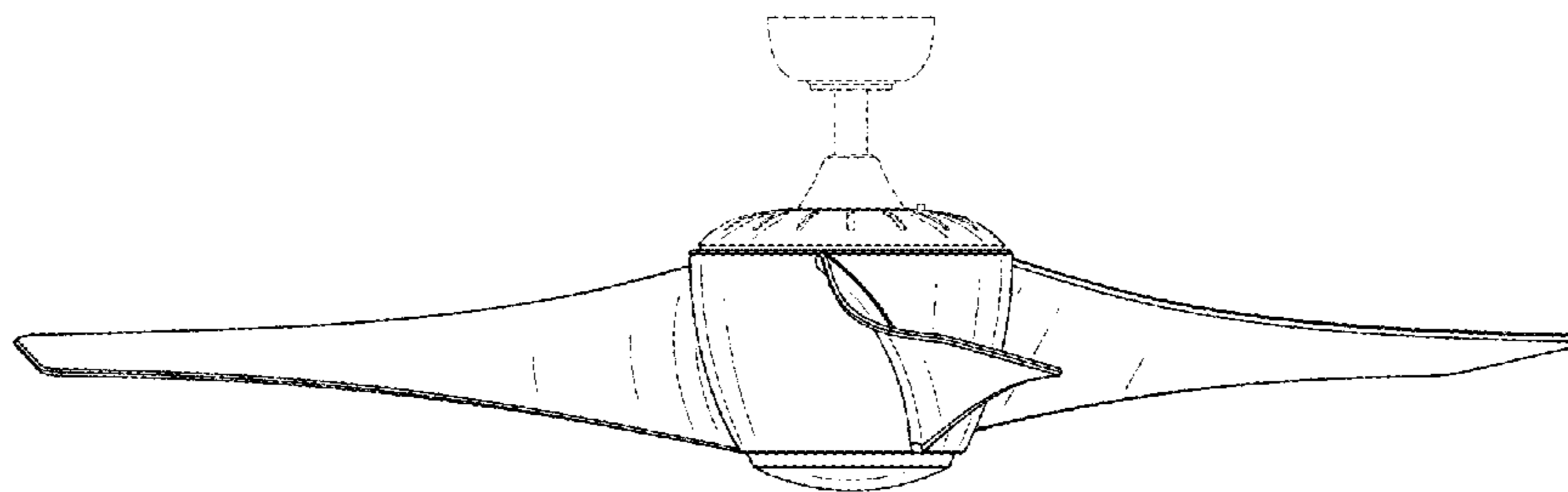


FIG. 2

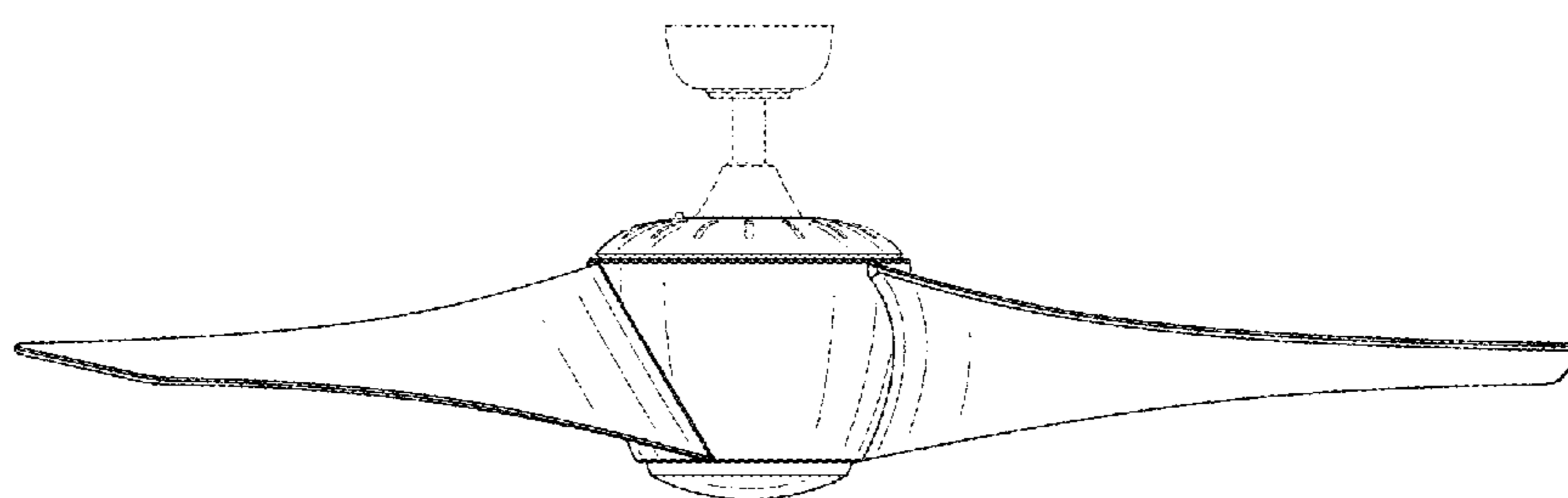


FIG. 3

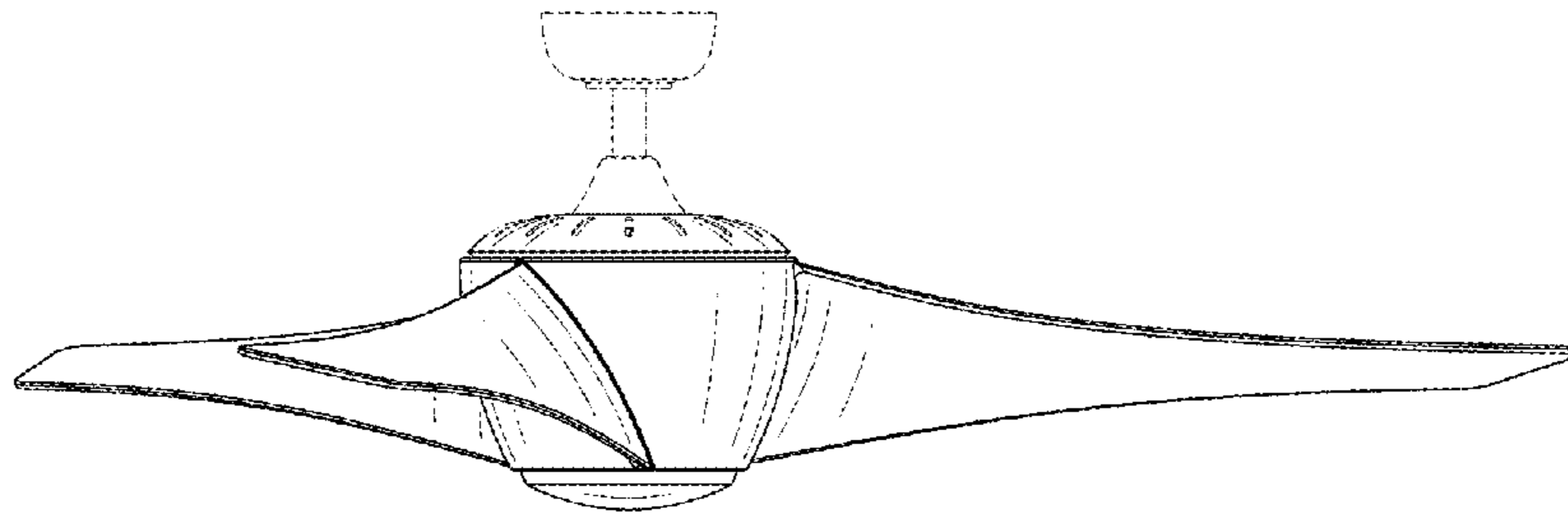


FIG. 4

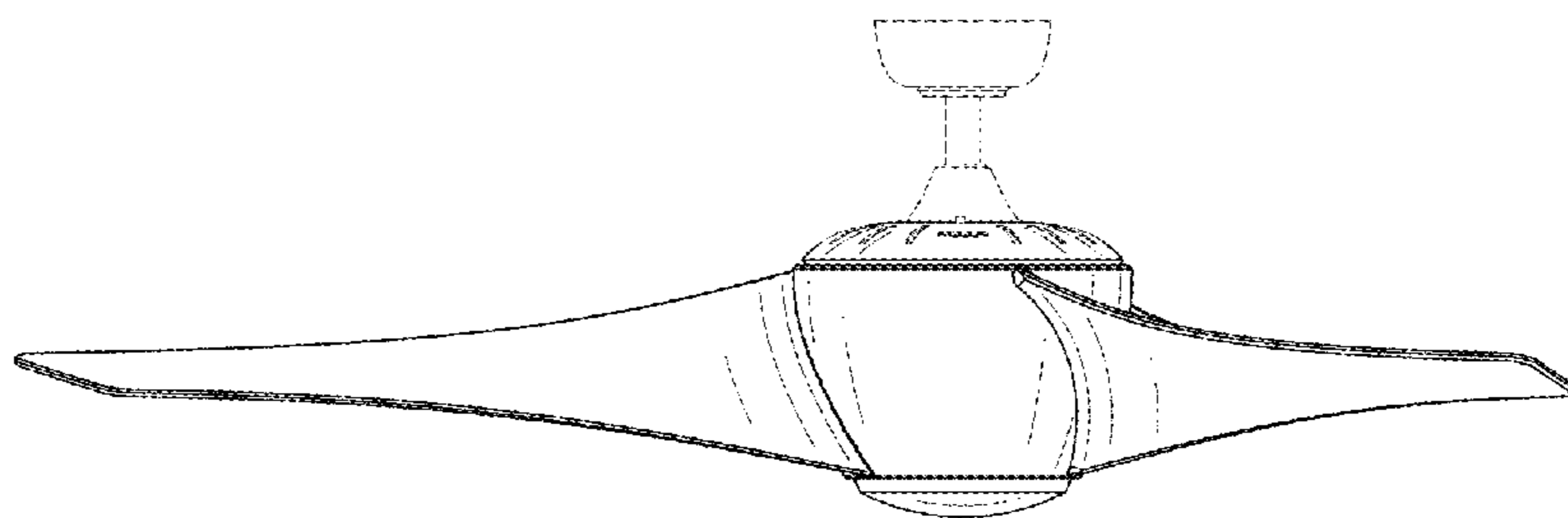


FIG. 5

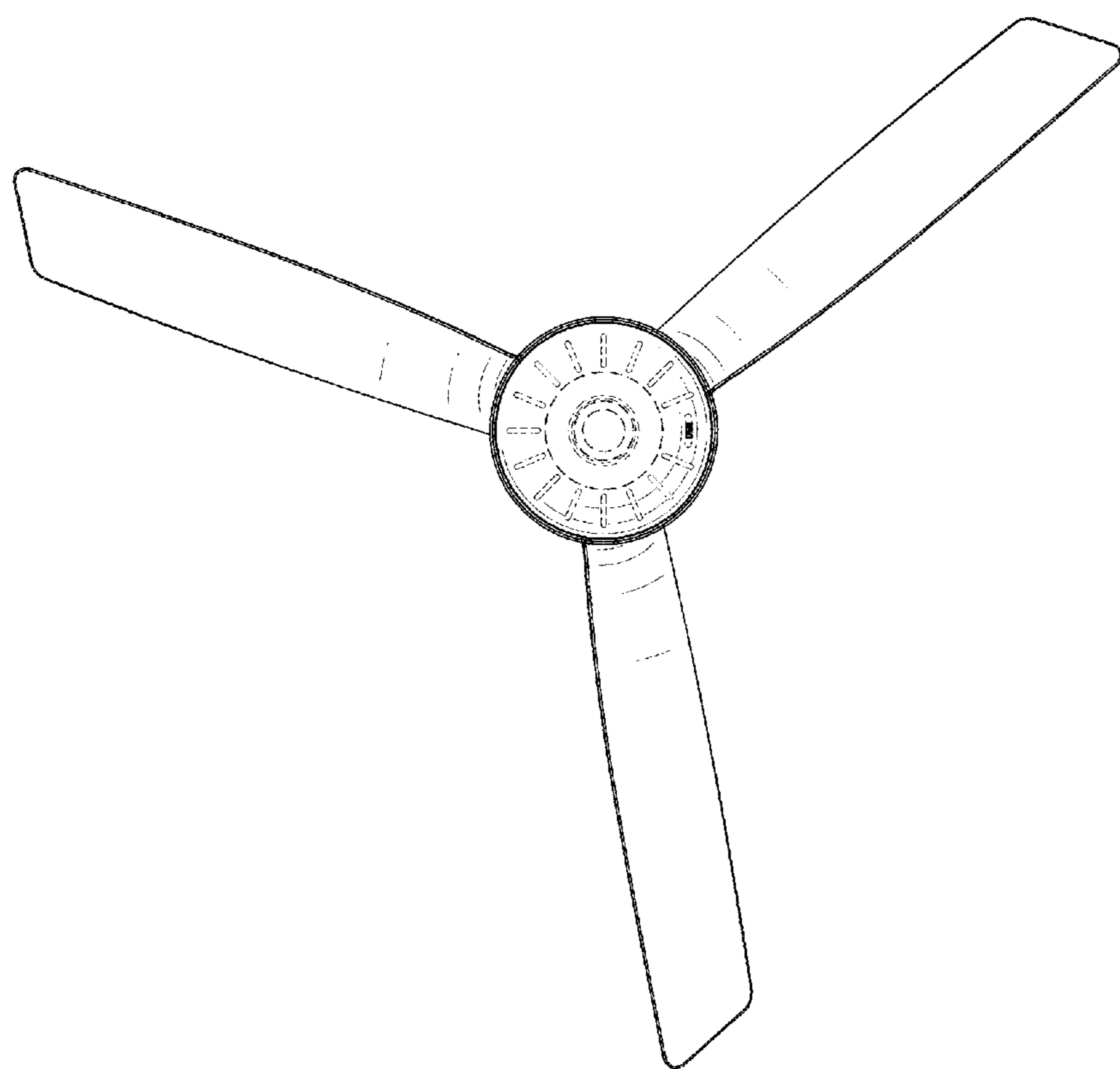


FIG. 6

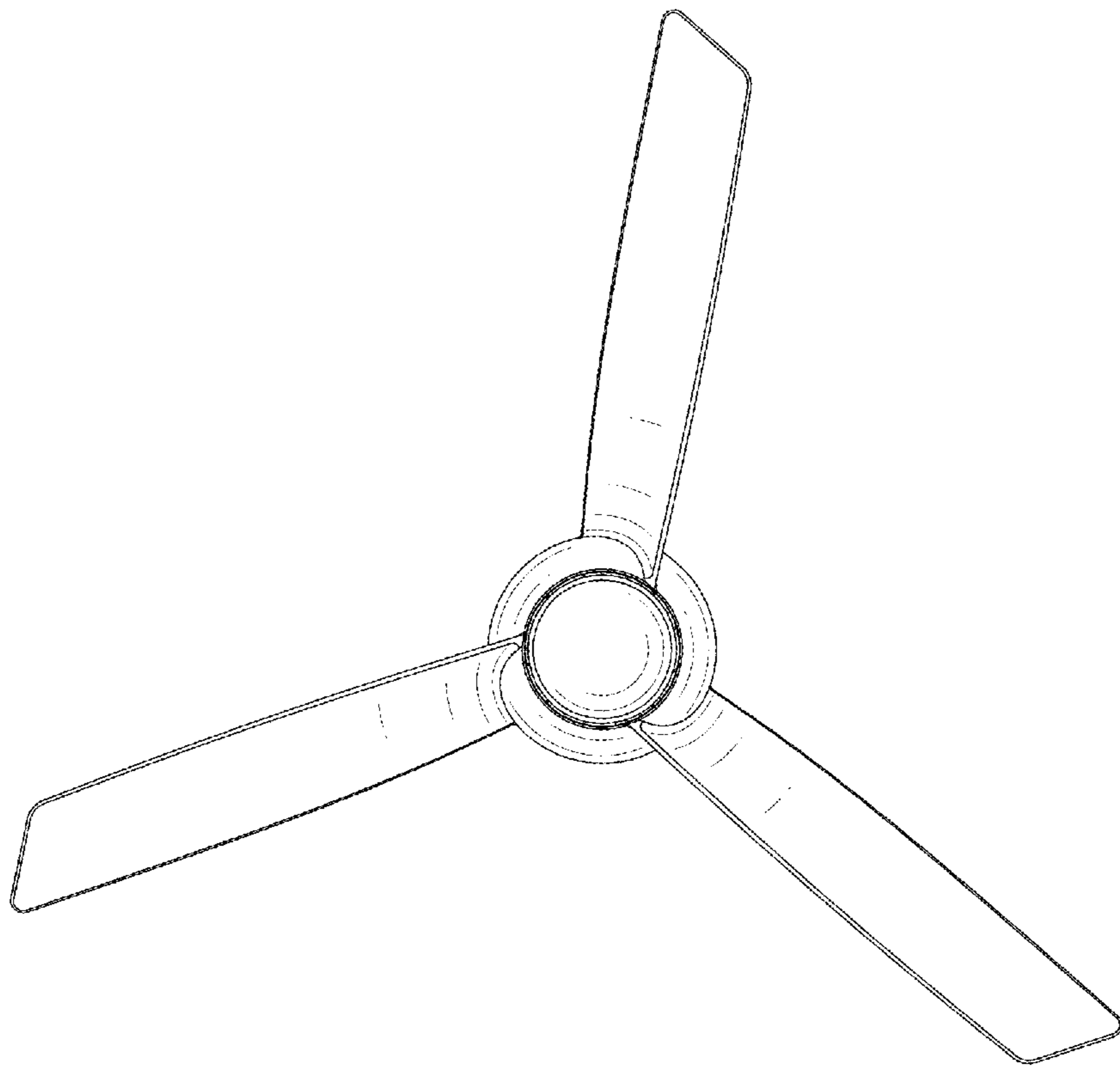


FIG. 7