

US00D671202S

(12) **United States Design Patent**
Searle

(10) **Patent No.:** **US D671,202 S**

(45) **Date of Patent:** **** Nov. 20, 2012**

(54) **COMBINED CEILING FAN AND LIGHT KIT**

(56)

References Cited

(75) Inventor: **Scott Searle**, Encino, CA (US)

U.S. PATENT DOCUMENTS

(73) Assignee: **Air Cool Industrial Co., Ltd.**, Taichung (TW)

D351,020 S *	9/1994	Arnold	D23/377
D396,532 S *	7/1998	Tsuji	D23/411
D523,951 S *	6/2006	Pickett	D23/411
D594,540 S *	6/2009	Pan	D23/377
D594,543 S *	6/2009	Pan	D23/377
D627,054 S *	11/2010	Pan	D23/411
D627,869 S *	11/2010	Pan	D23/377
D628,286 S *	11/2010	Yang	D23/411
D648,843 S *	11/2011	Chen	D23/411

(**) Term: **14 Years**

* cited by examiner

(21) Appl. No.: **29/385,283**

Primary Examiner — Garth Rademaker

(74) *Attorney, Agent, or Firm* — Ming Chow; Sinorica, LLC

(22) Filed: **Feb. 11, 2011**

(57) **CLAIM**

I claim the ornamental design for a combined ceiling fan and light kit, as shown and described.

(51) **LOC (9) Cl.** **23-04**

(52) **U.S. Cl.** **D23/377; D26/59**

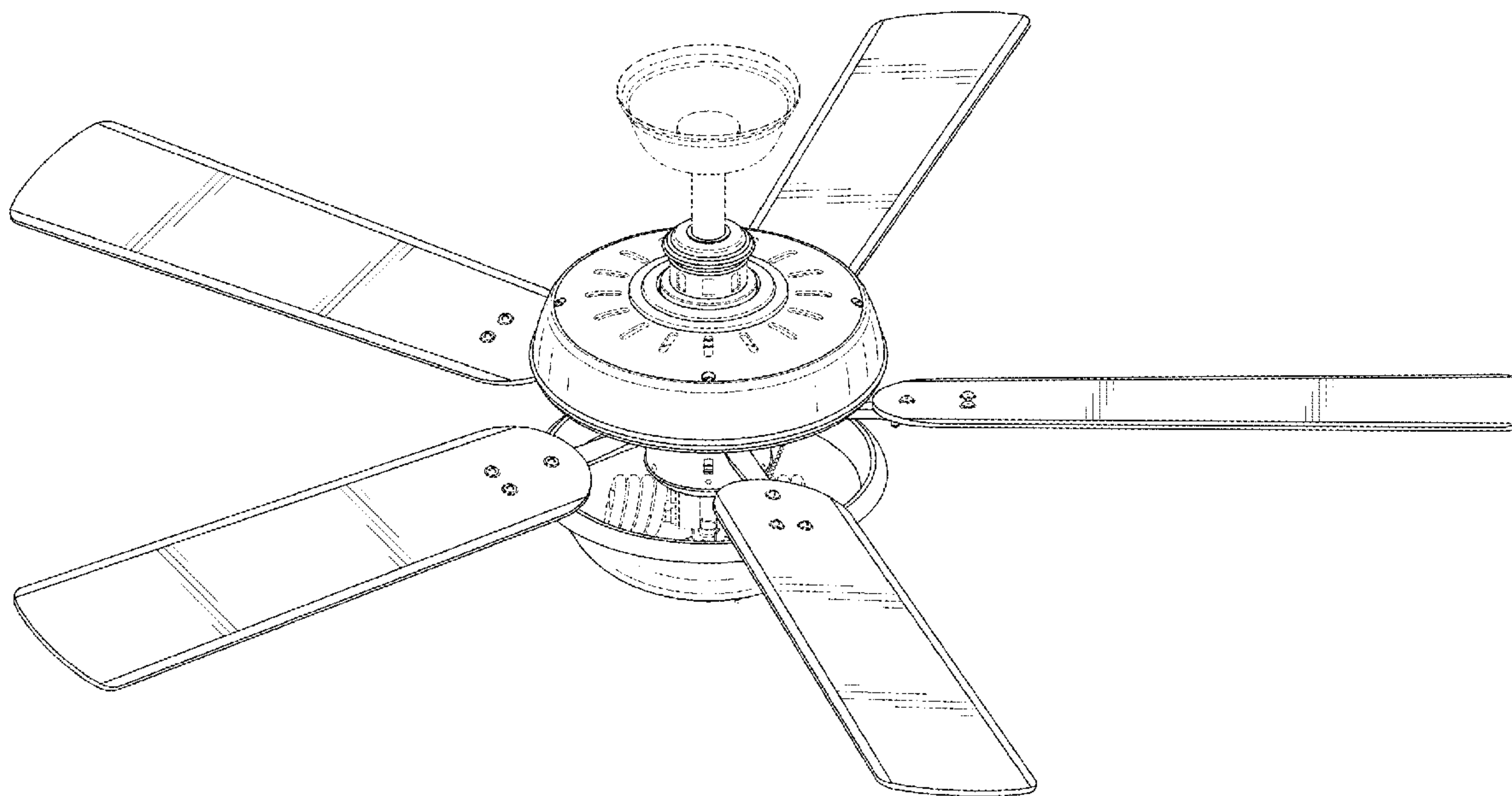
DESCRIPTION

(58) **Field of Classification Search** D13/179;
D23/370-394, 411-414; D26/51, 59, 72,
D26/81-86; 34/169; 52/302.1, 302.7; 55/DIG. 36;
123/41.7; 126/58, 60, 61, 64-66, 84, 299 D-299 F,
126/299 R, 300, 301, 312, 531; 138/118,
138/121, 172, 173, 177; 165/54, 59; 285/133.6;
392/364; 415/126, 127, 213.1, 214.1; 416/5,
416/204 R, 210 R, 234, 237, 244 R, 247 R;
454/41, 42, 233, 236, 250-253, 275-277,
454/284, 309, 367, 368

FIG. 1 is a front perspective view of a combined ceiling fan and light kit showing my new design;
FIG. 2 is a front elevational view thereof;
FIG. 3 is a rear elevational view thereof.
FIG. 4 is a left side elevational view thereof;
FIG. 5 is a right side elevational view thereof;
FIG. 6 is a top plan view thereof; and,
FIG. 7 is a bottom plan view thereof.
The broken lines depict environmental subject matter only and form no part of the claimed design.

See application file for complete search history.

1 Claim, 5 Drawing Sheets



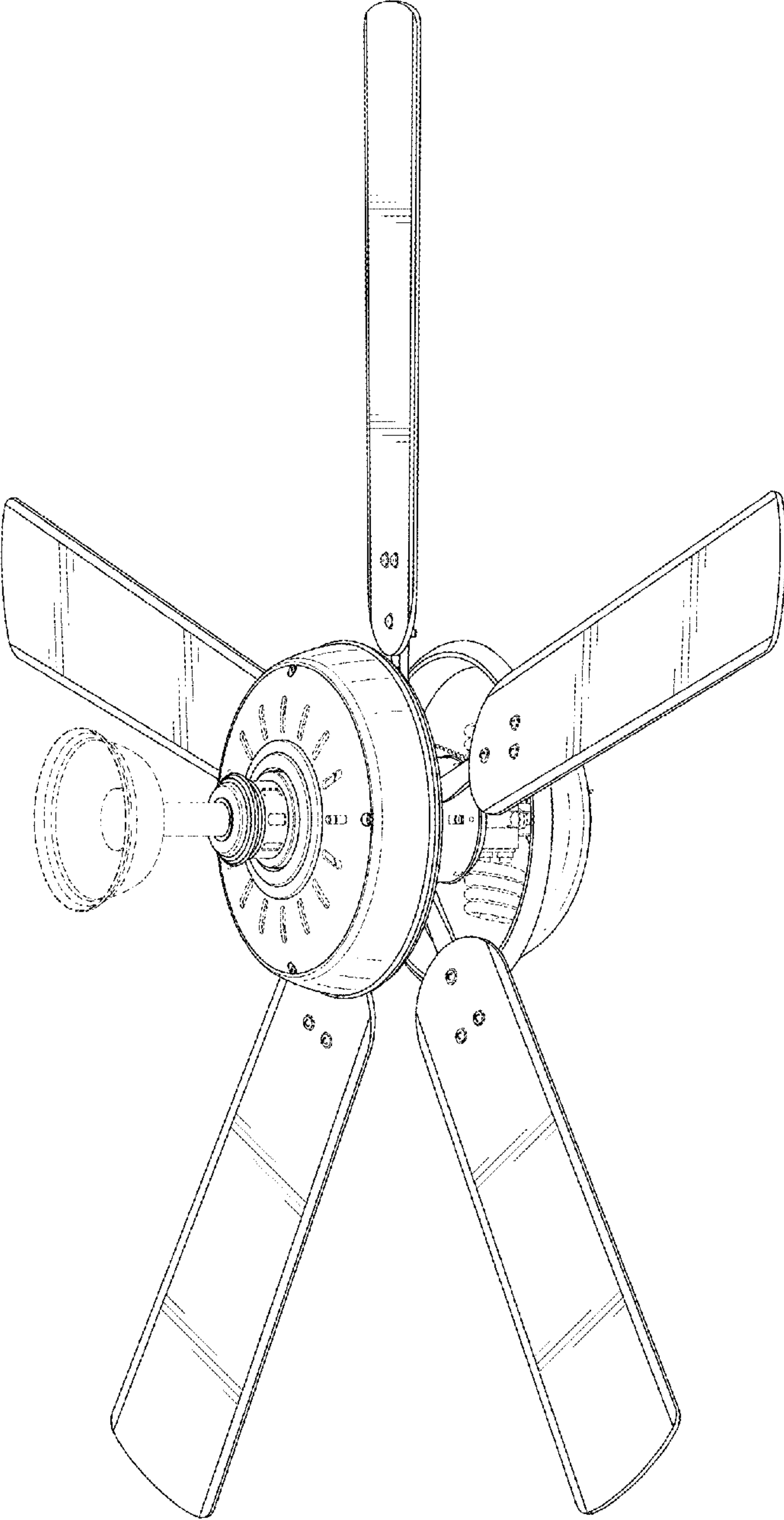


FIG. 1

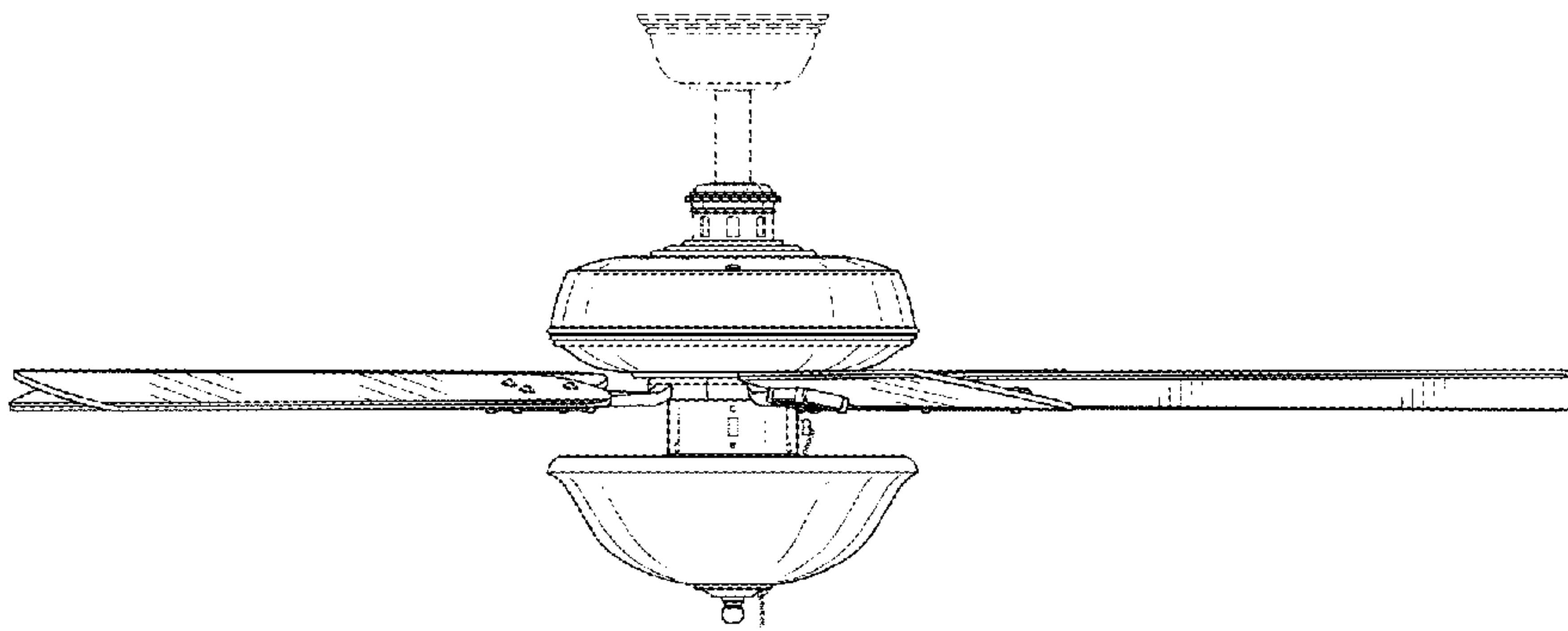


FIG. 2

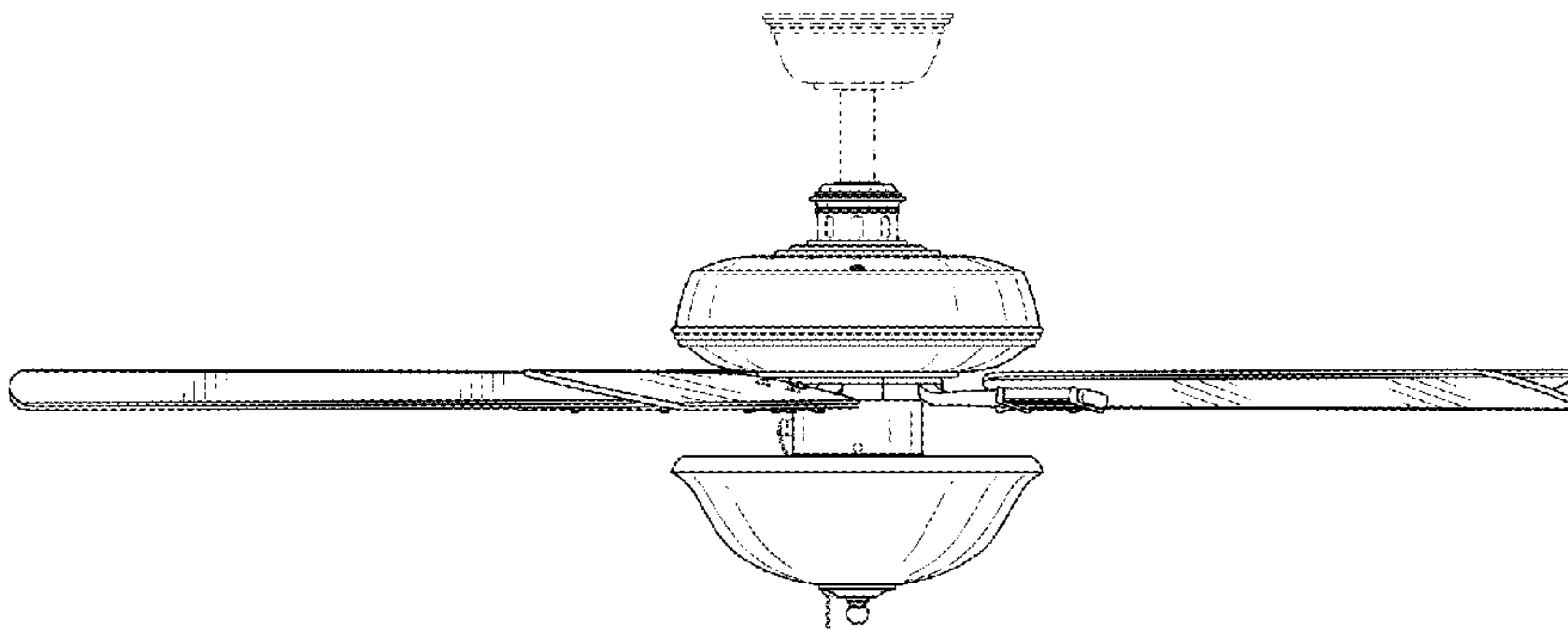


FIG. 3

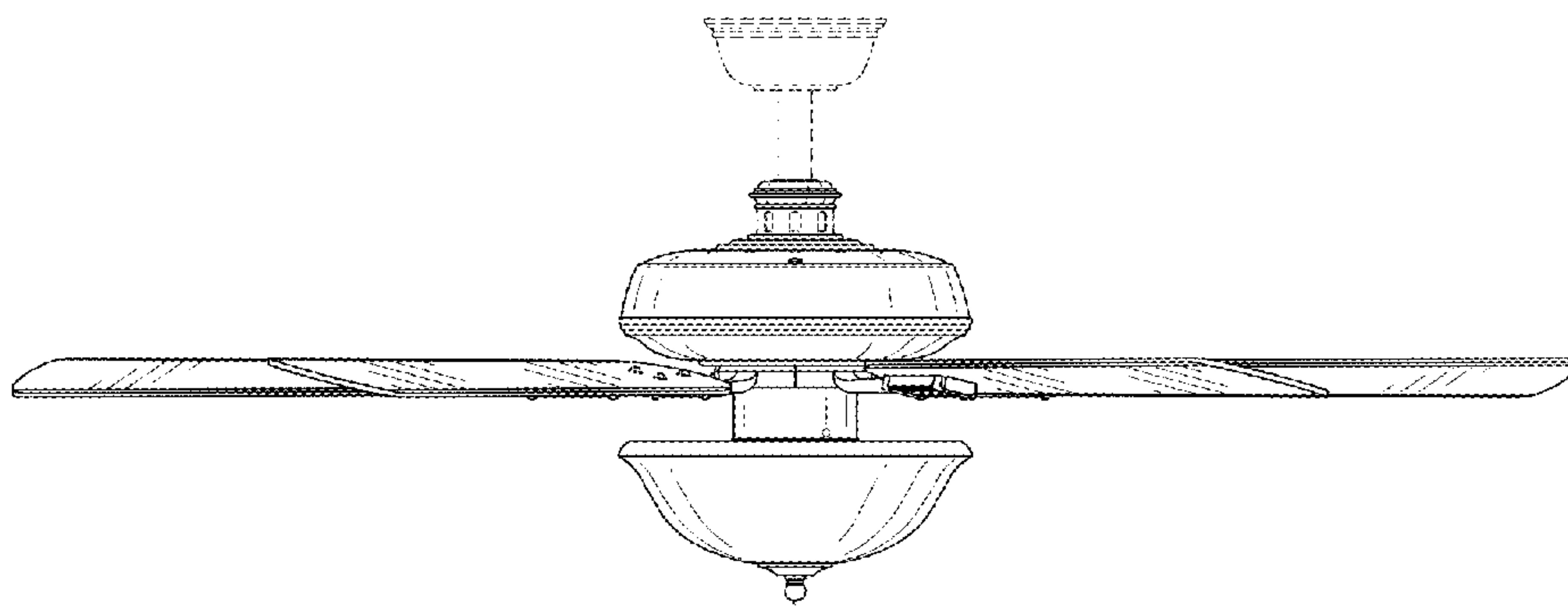


FIG. 4

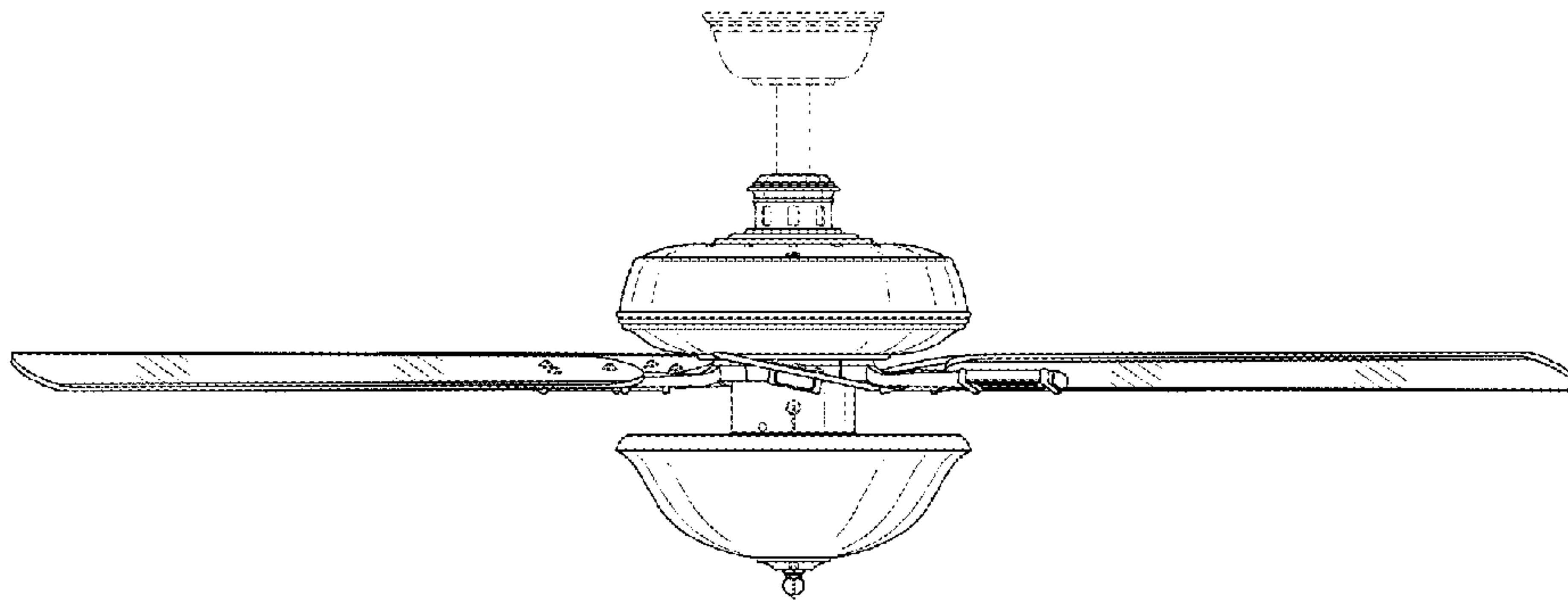


FIG. 5

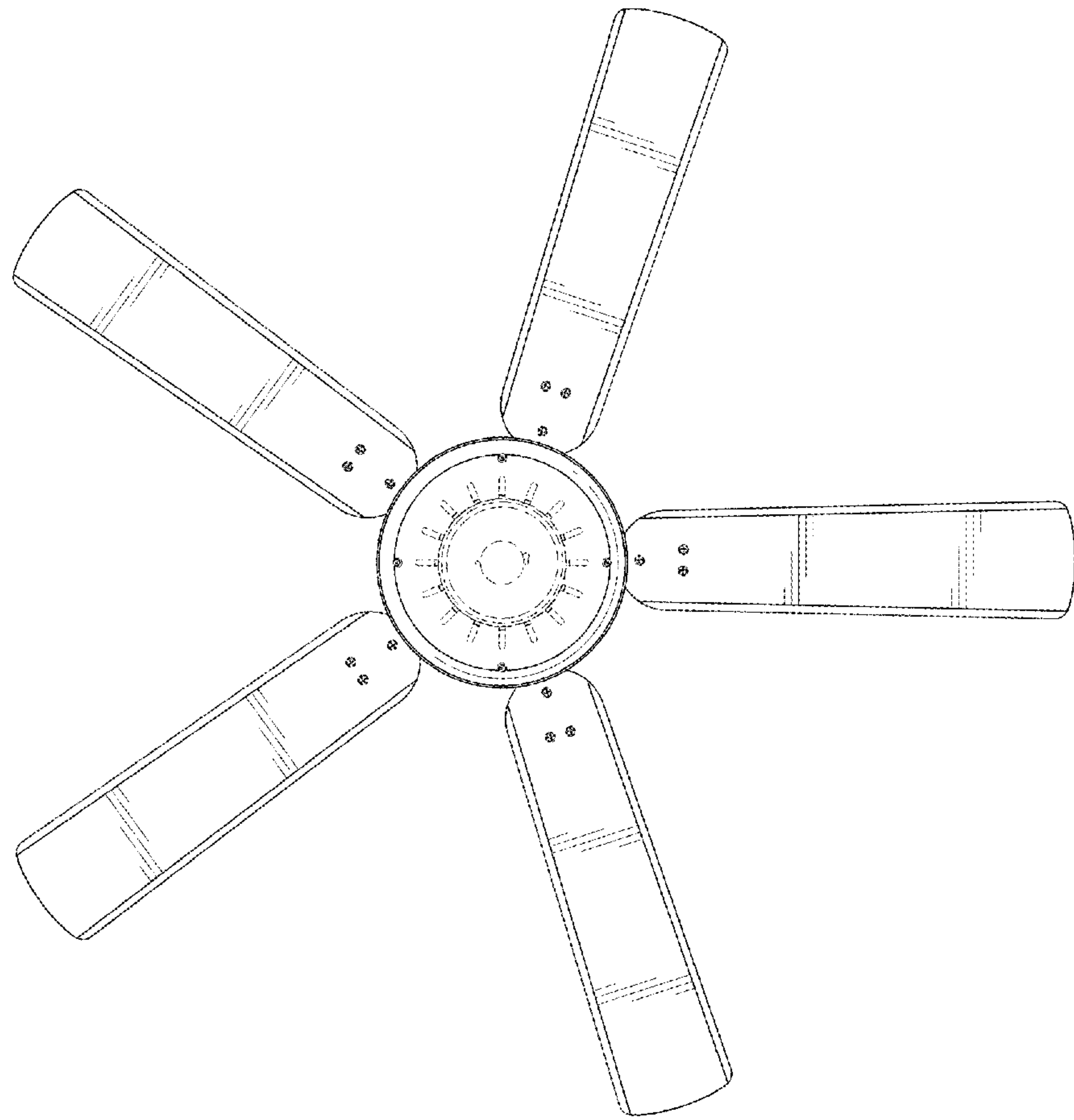


FIG. 6

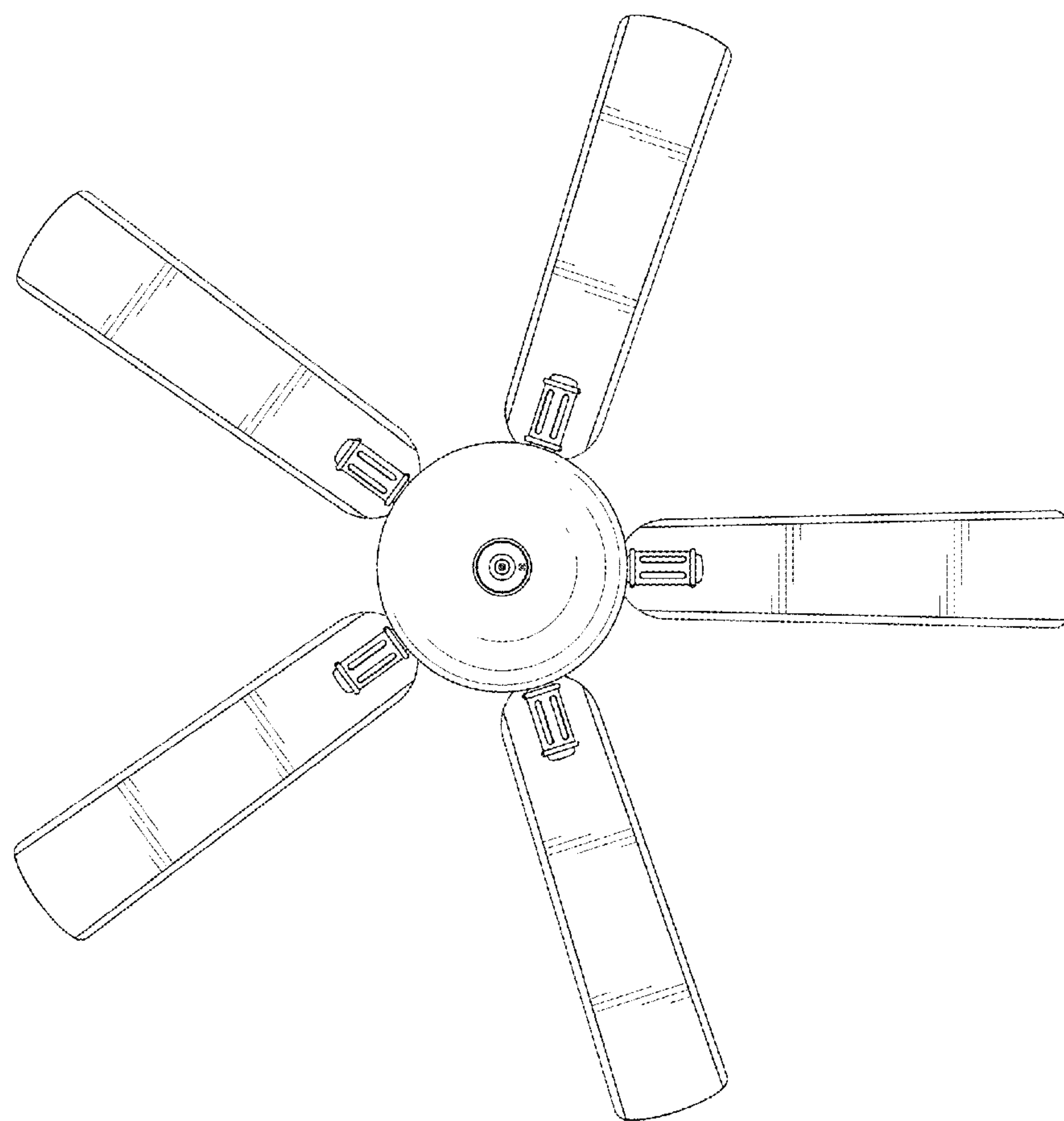


FIG. 7