



US00D671201S

(12) **United States Design Patent**
Yano et al.

(10) **Patent No.:** **US D671,201 S**

(45) **Date of Patent:** **** Nov. 20, 2012**

(54) **VENT FILTER**

(75) Inventors: **Youzou Yano**, Osaka (JP); **Kou Uemura**, Osaka (JP)

(73) Assignee: **Nitto Denko Corporation**, Osaka (JP)

(**) Term: **14 Years**

(21) Appl. No.: **29/381,090**

(22) Filed: **Dec. 15, 2010**

(30) **Foreign Application Priority Data**

Jun. 15, 2010 (JP) 2010-014701

(51) **LOC (9) Cl.** **23-04**

(52) **U.S. Cl.** **D23/365**

(58) **Field of Classification Search** D23/365,
D23/209, 363, 358, 386, 354, 341, 364; 55/385.3,
55/502, 497, 506, 505, 521, 495, 422, 493,
55/DIG. 30; 210/435, 130, 136, 248, 339,
210/448, 452, 497.1; D15/5

See application file for complete search history.

(56) **References Cited**

U.S. PATENT DOCUMENTS

| | | | | |
|----------------|---------|------------------------------|-------|-----------|
| D317,965 S * | 7/1991 | Svensson | | D23/209 |
| D354,795 S * | 1/1995 | Heligman | | D23/209 |
| D378,744 S * | 4/1997 | Abrahamson et al. | | D23/386 |
| D394,312 S * | 5/1998 | Thompson | | D23/386 |
| D400,240 S * | 10/1998 | Thallemer et al. | | D23/386 |
| 6,214,215 B1 * | 4/2001 | Berkey et al. | | 210/130 |
| D520,596 S * | 5/2006 | Johnson et al. | | D23/209 |
| D553,238 S * | 10/2007 | Haggkvist | | D23/386 |
| D580,009 S * | 11/2008 | LeJeune | | D23/209 |
| D626,208 S * | 10/2010 | Clements | | D23/386 |
| D628,281 S * | 11/2010 | Bates et al. | | D23/364 |
| 7,874,431 B2 * | 1/2011 | Eisengraeber-Pabst et al. | | 210/497.1 |
| 7,882,961 B2 * | 2/2011 | Menez et al. | | 210/435 |

* cited by examiner

Primary Examiner — David Muller

(74) *Attorney, Agent, or Firm* — Dennis R. Haszko

(57) **CLAIM**

The ornamental design for a vent filter, as shown and described.

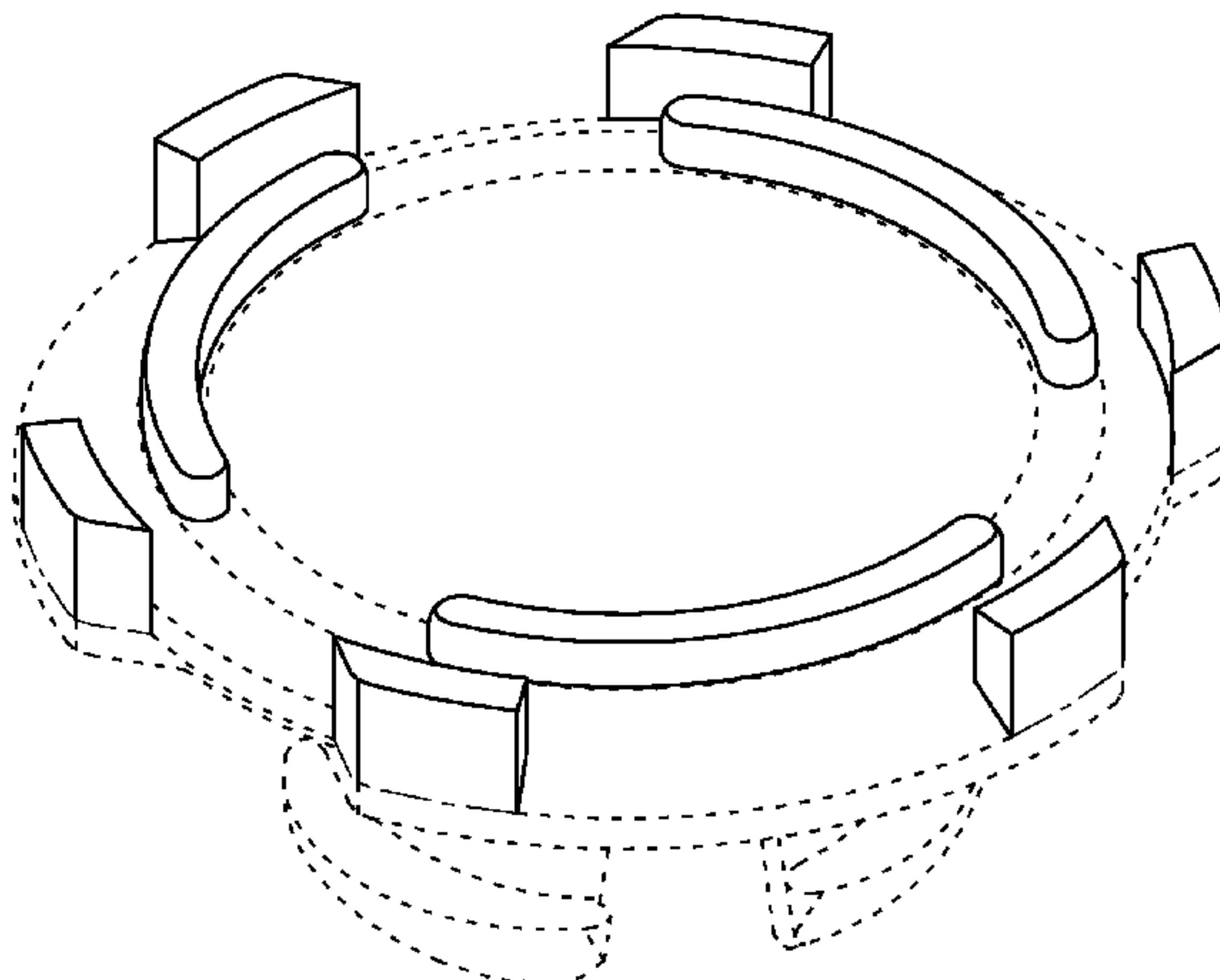
DESCRIPTION

FIG. 1 is top perspective view of the vent filter;
FIG. 2 is a front view thereof;
FIG. 3 is a rear view thereof;
FIG. 4 is a plan view thereof;
FIG. 5 is a bottom view thereof;
FIG. 6 is a right side view thereof;
FIG. 7 is a left side view thereof;
FIG. 8 is a cross-sectional view thereof along line 8-8 of FIG. 2;
FIG. 9 is a cross-sectional view thereof along line 9-9 of FIG. 2;
FIG. 10 is a perspective reference view of the vent filter in use together with a vent cap and housing;
FIG. 11 is a cross-sectional reference view of the vent filter in use together with a vent cap and a housing; and,
FIG. 12 is a reference cross-sectional view of the vent filter together with a vent cap.

The portions shown in broken lines do not form part of the design.

The article for which a design right is sought is a vent filter which is attached to a housing for a headlight for a vehicle, an outdoor lightning device, a communication device and the like, and which is used to prevent dust and liquid from entering an inside of the housing. For example, as illustrated in the reference FIGS. 10 and 11 which show the usage state, by using together with a vent cap, decrease in the ventilating function, which is caused by adhesion of dirt from an outside to the present article, can be prevented, and furthermore as illustrated in the reference FIG. 12 which shows the usage state, the ventilating passage as indicated by arrows can be secured.

1 Claim, 6 Drawing Sheets



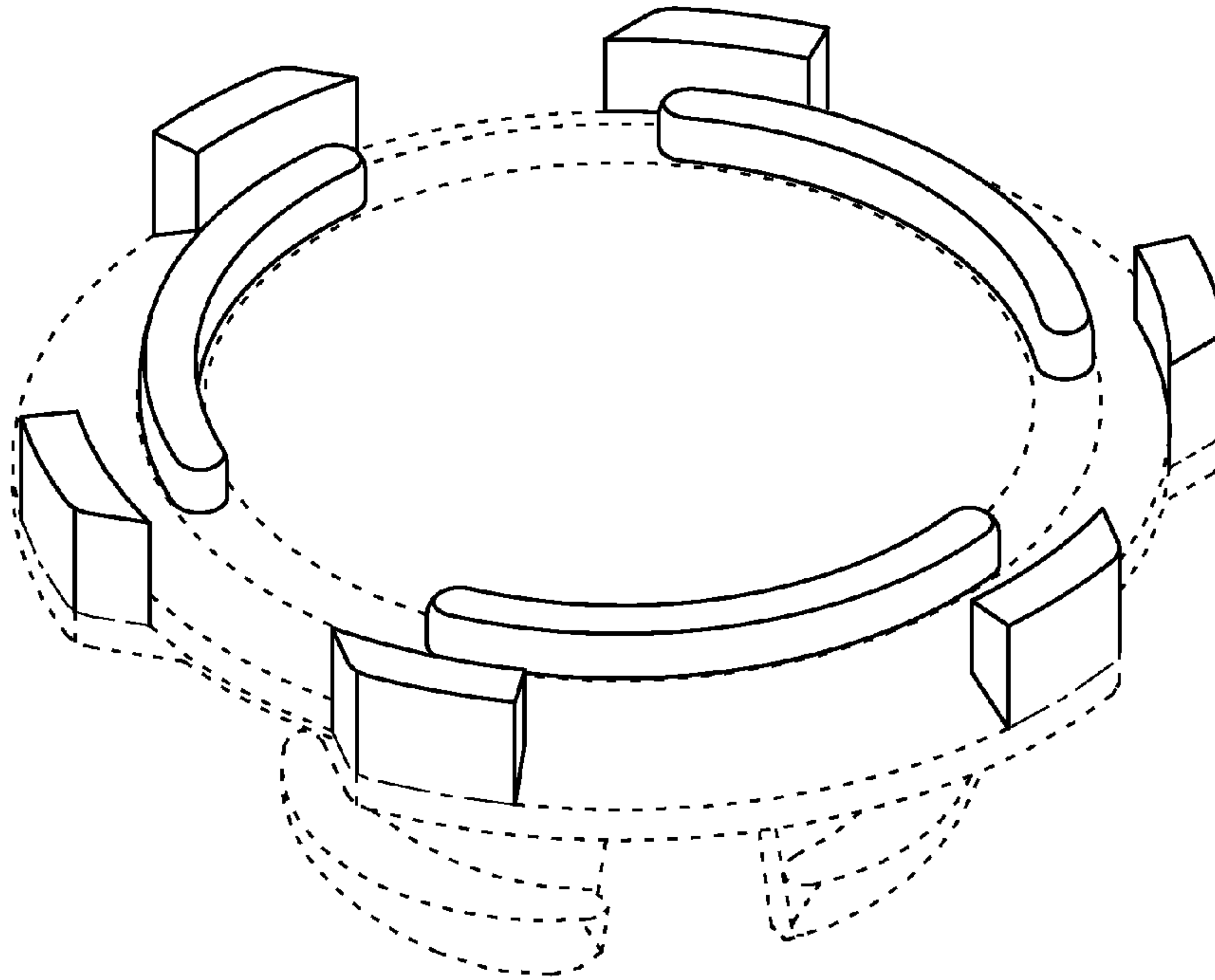


FIG.1

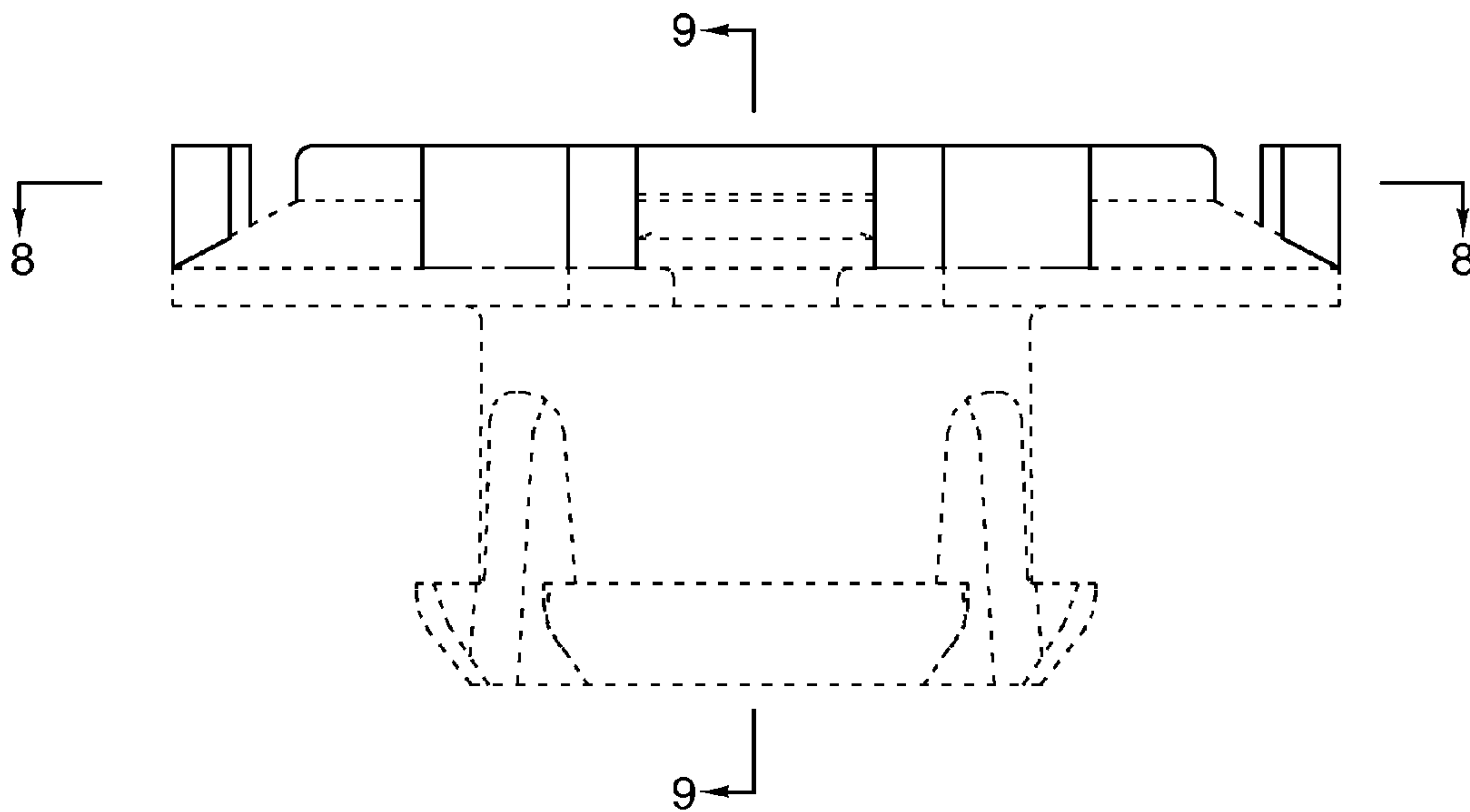


FIG.2

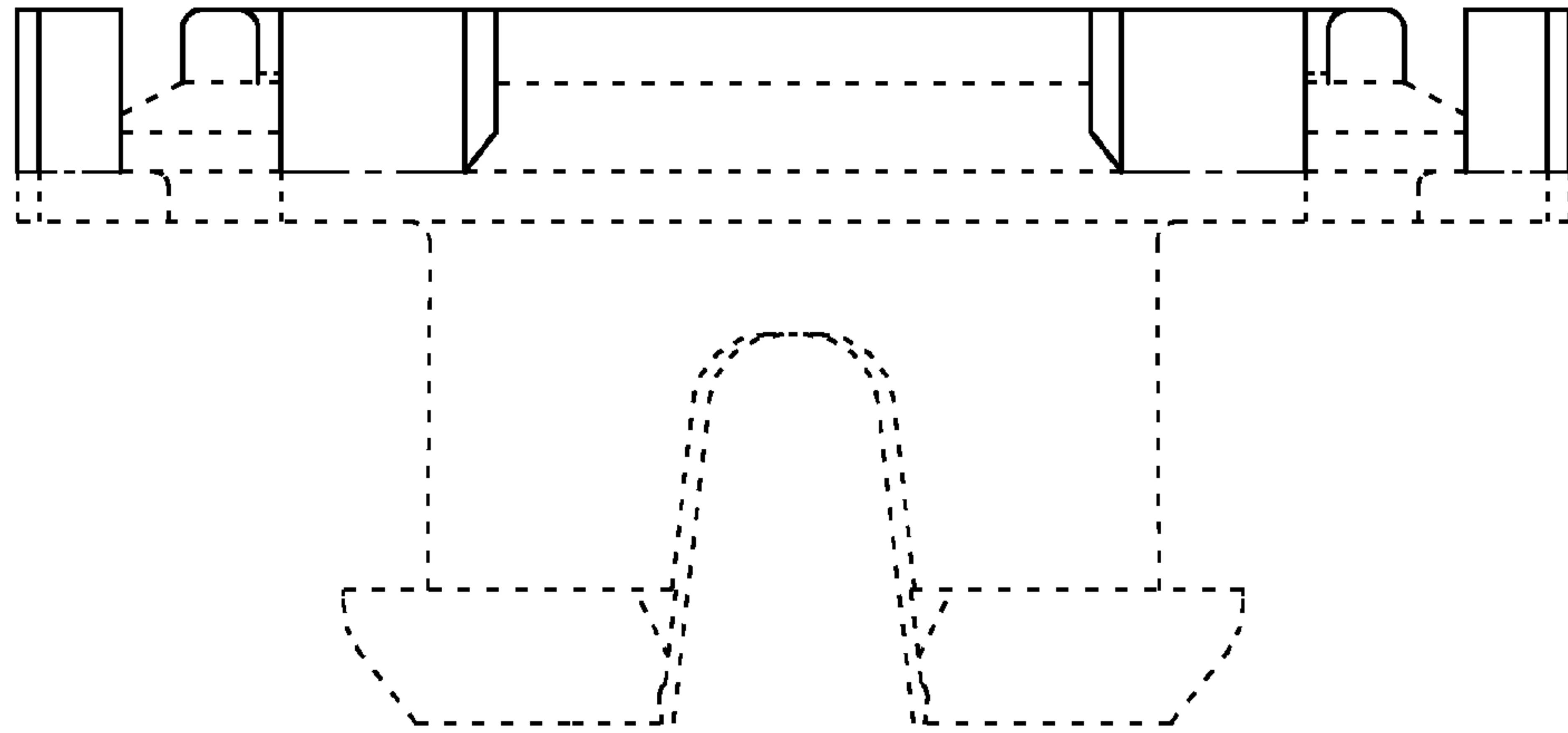


FIG.3

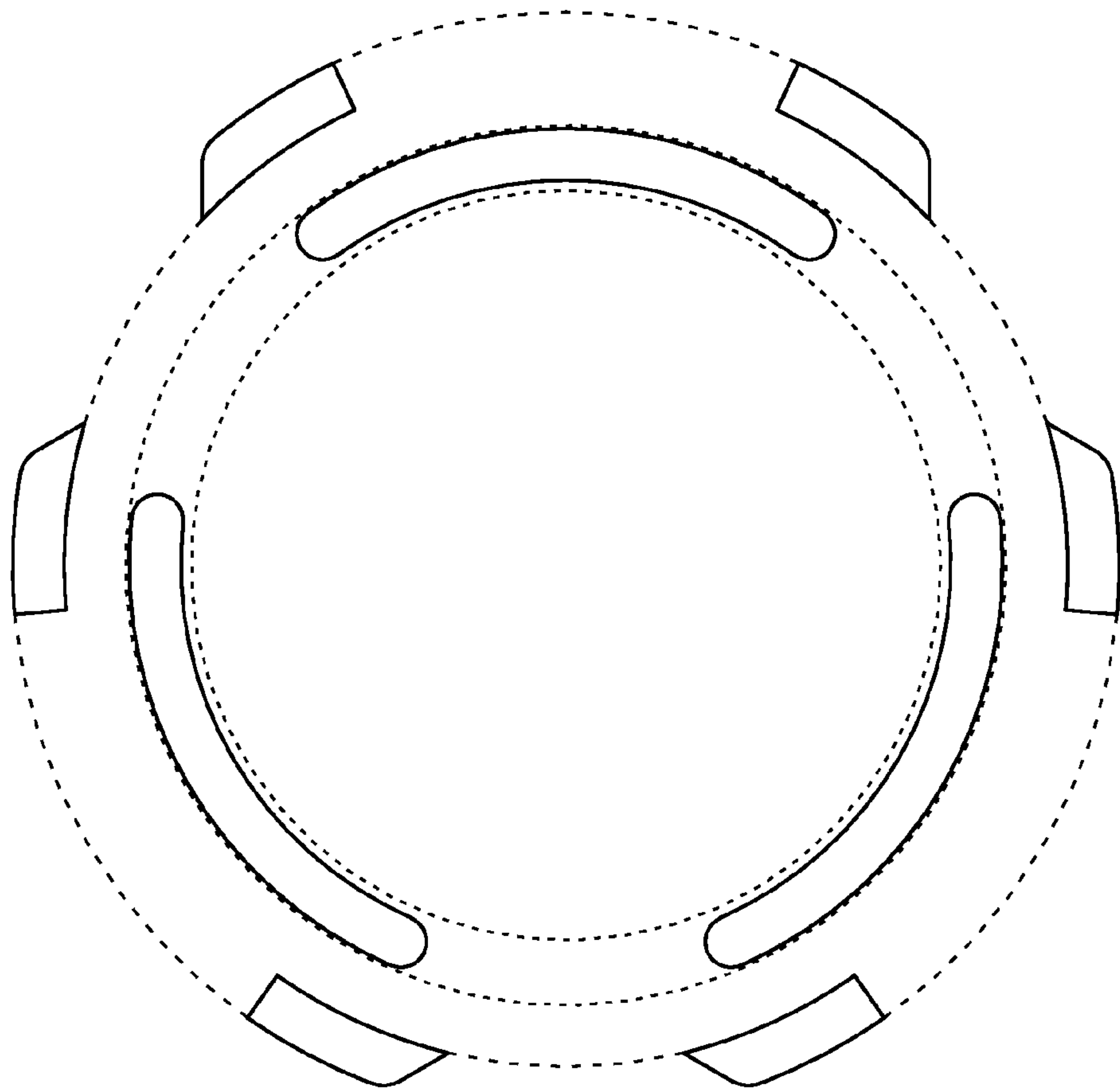


FIG.4

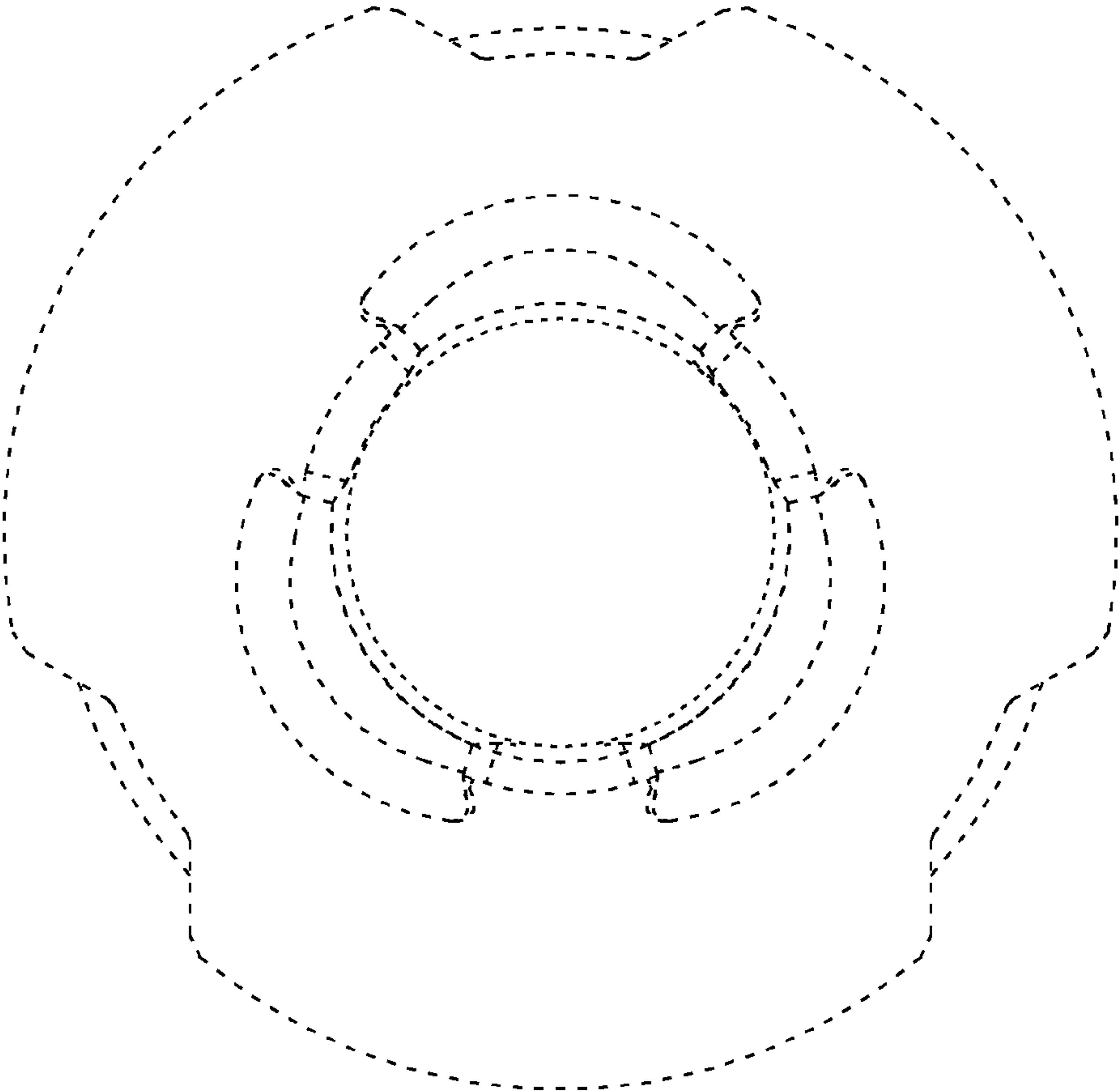


FIG. 5

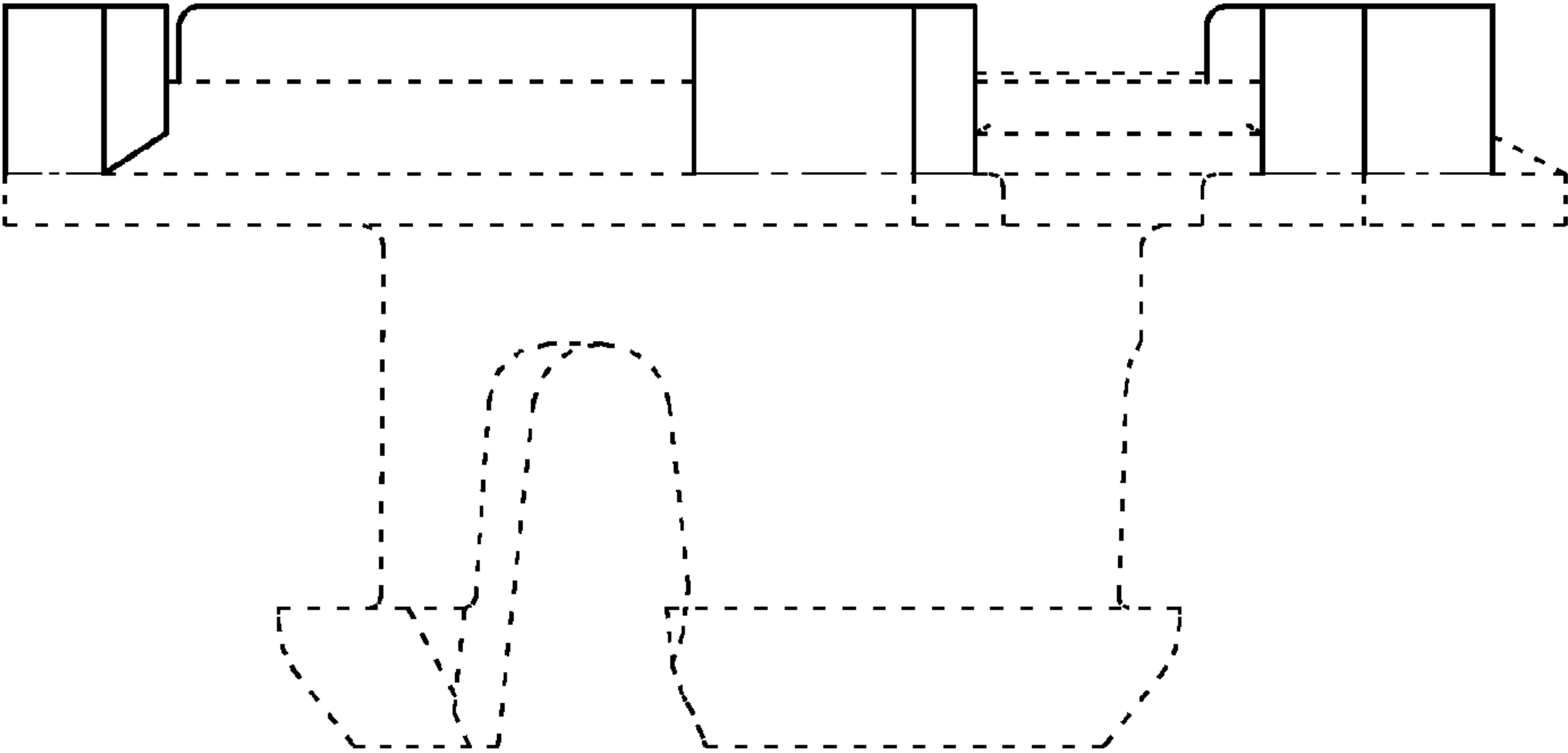


FIG. 6

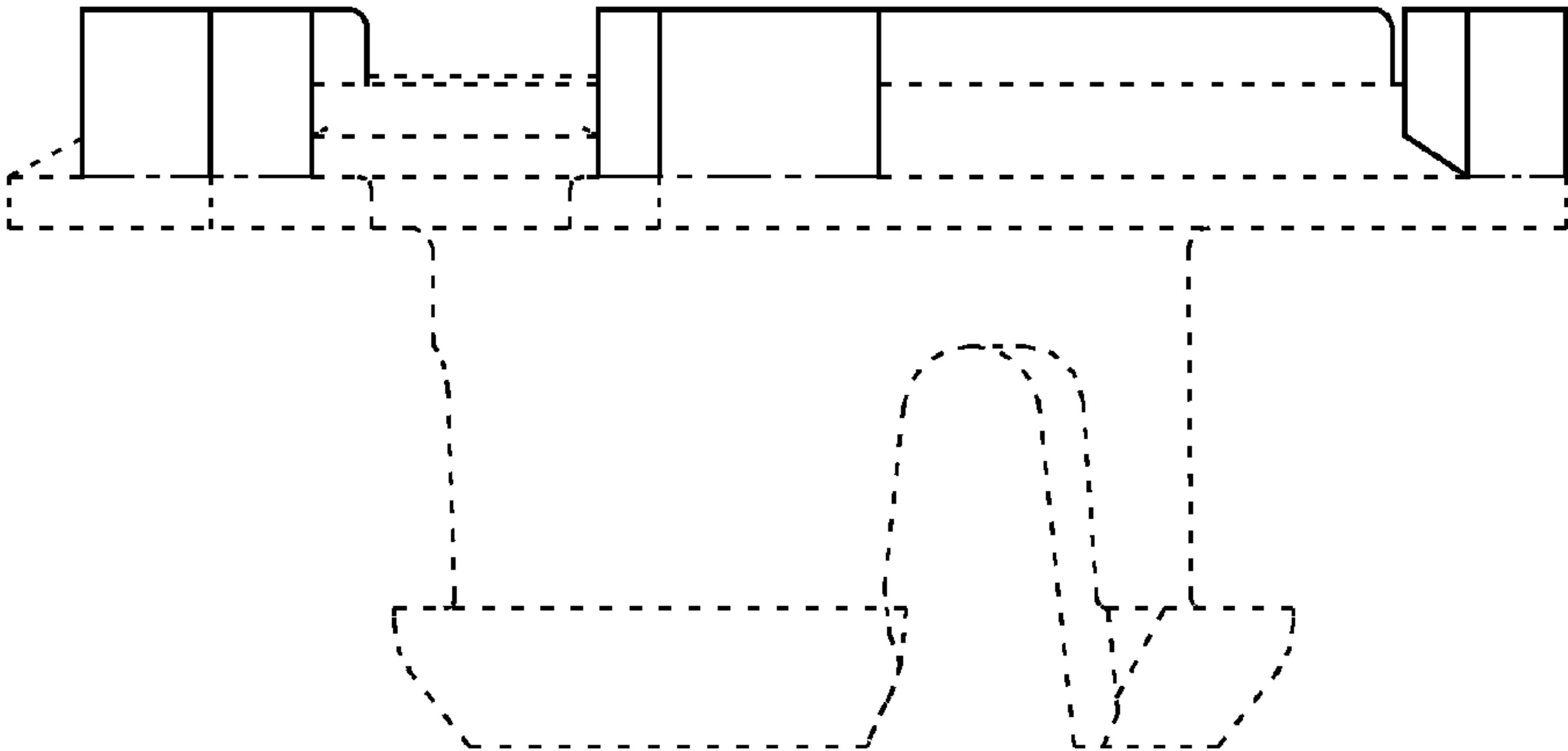


FIG.7

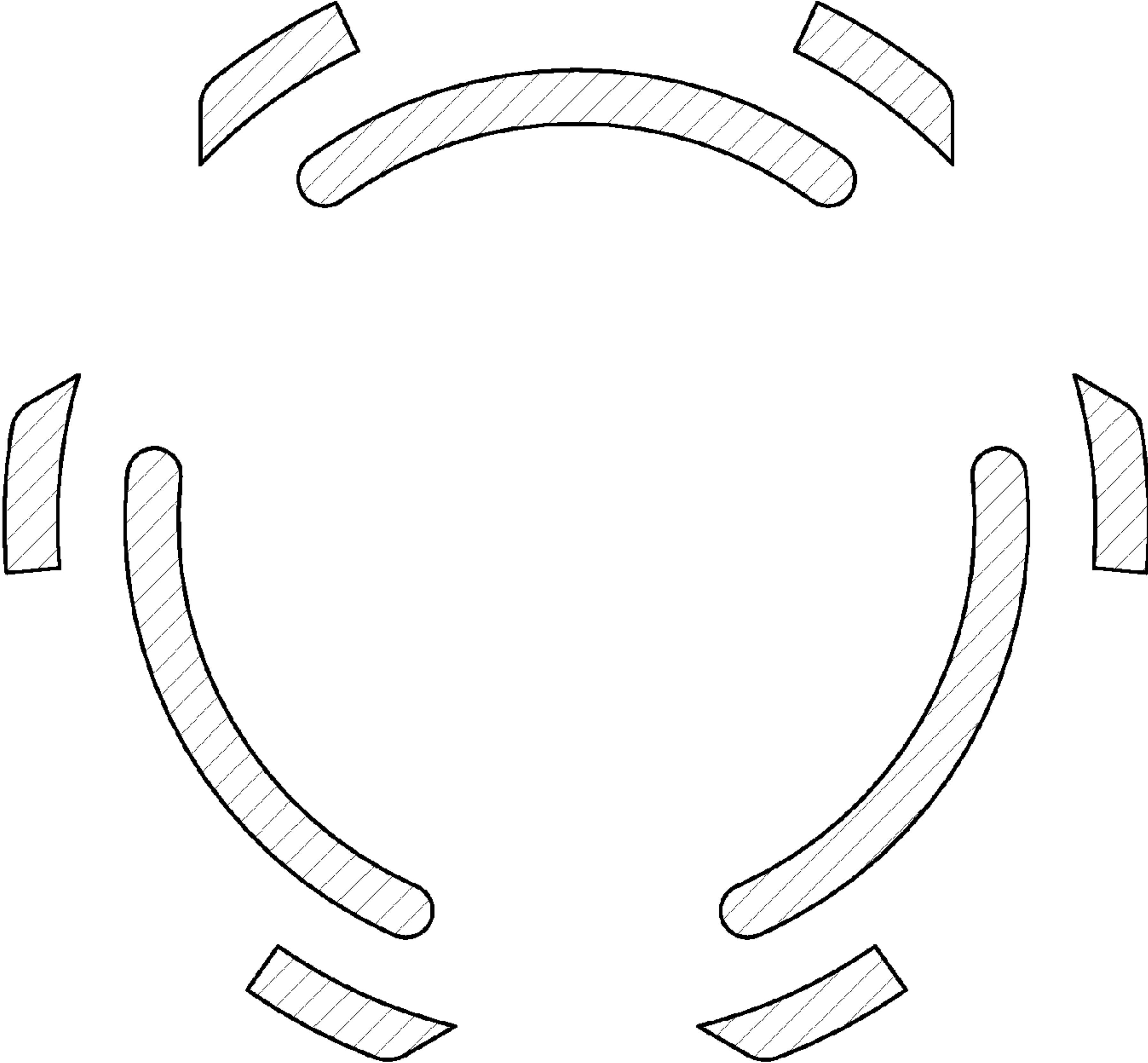


FIG.8

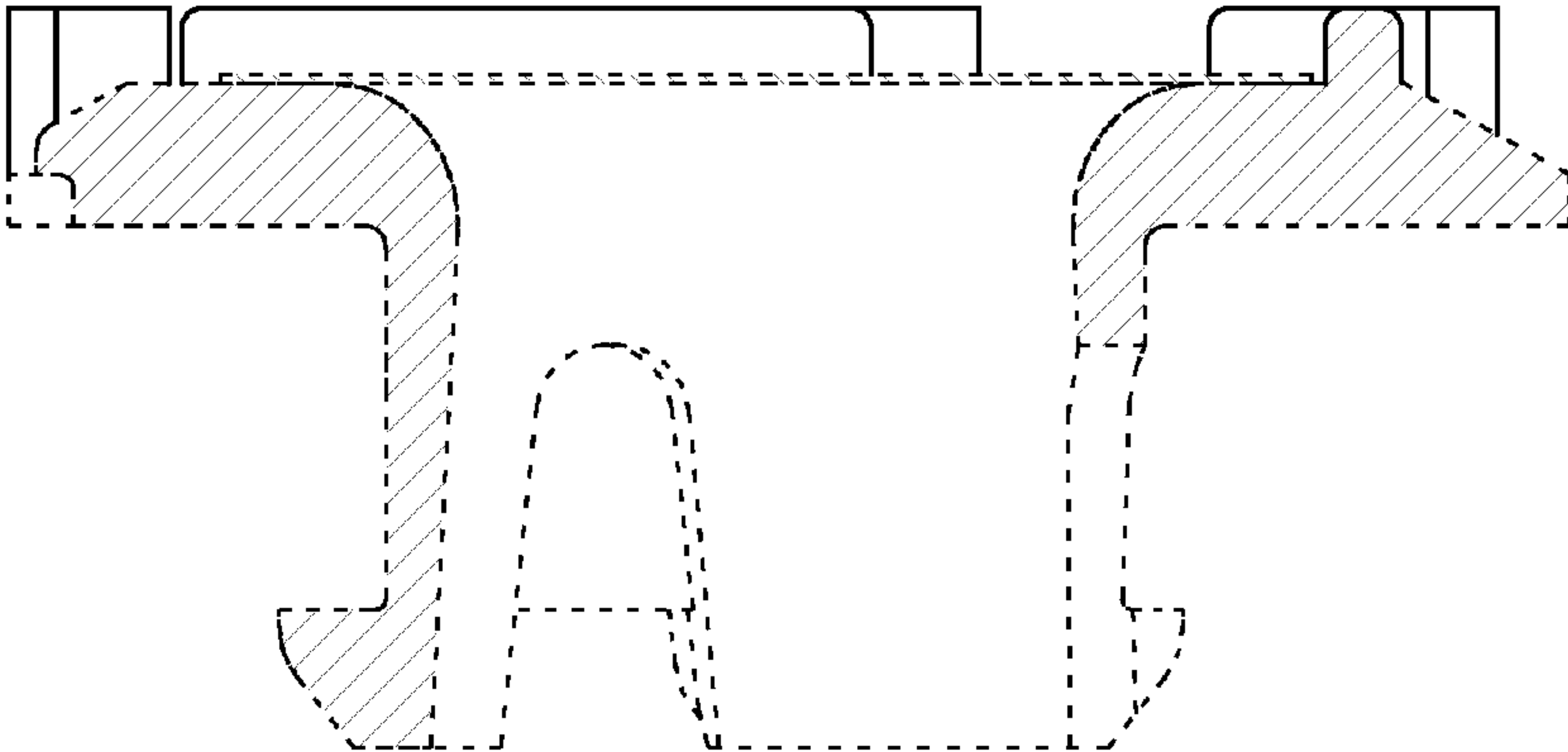


FIG.9

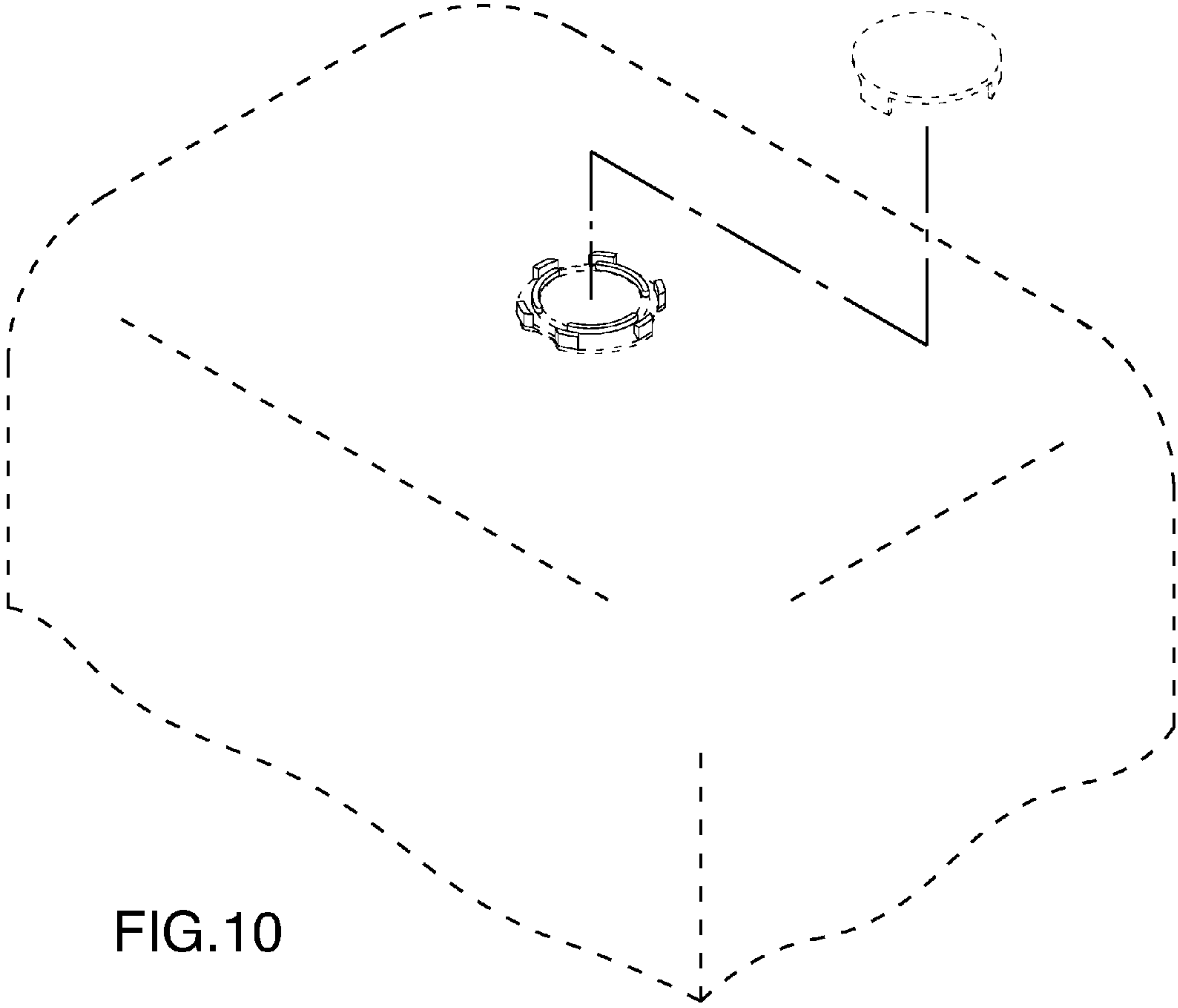


FIG.10

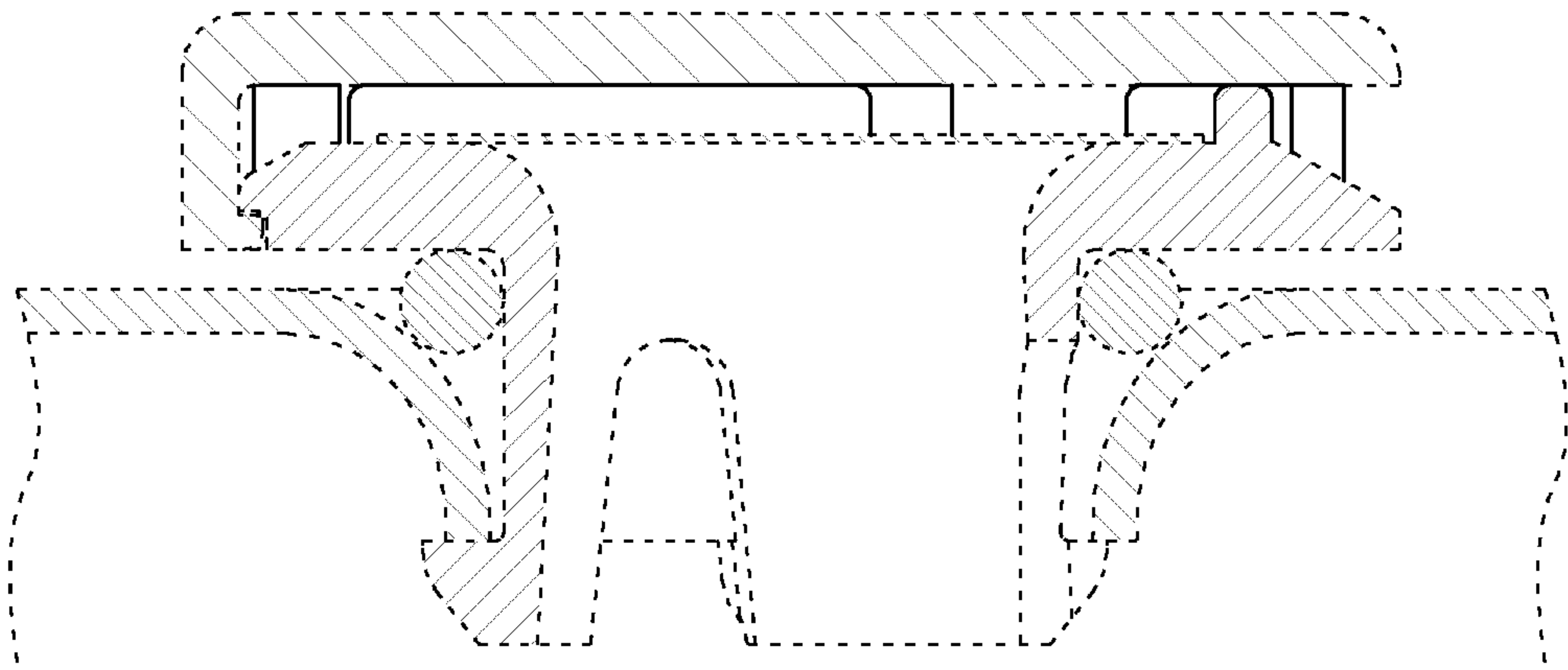


FIG. 11

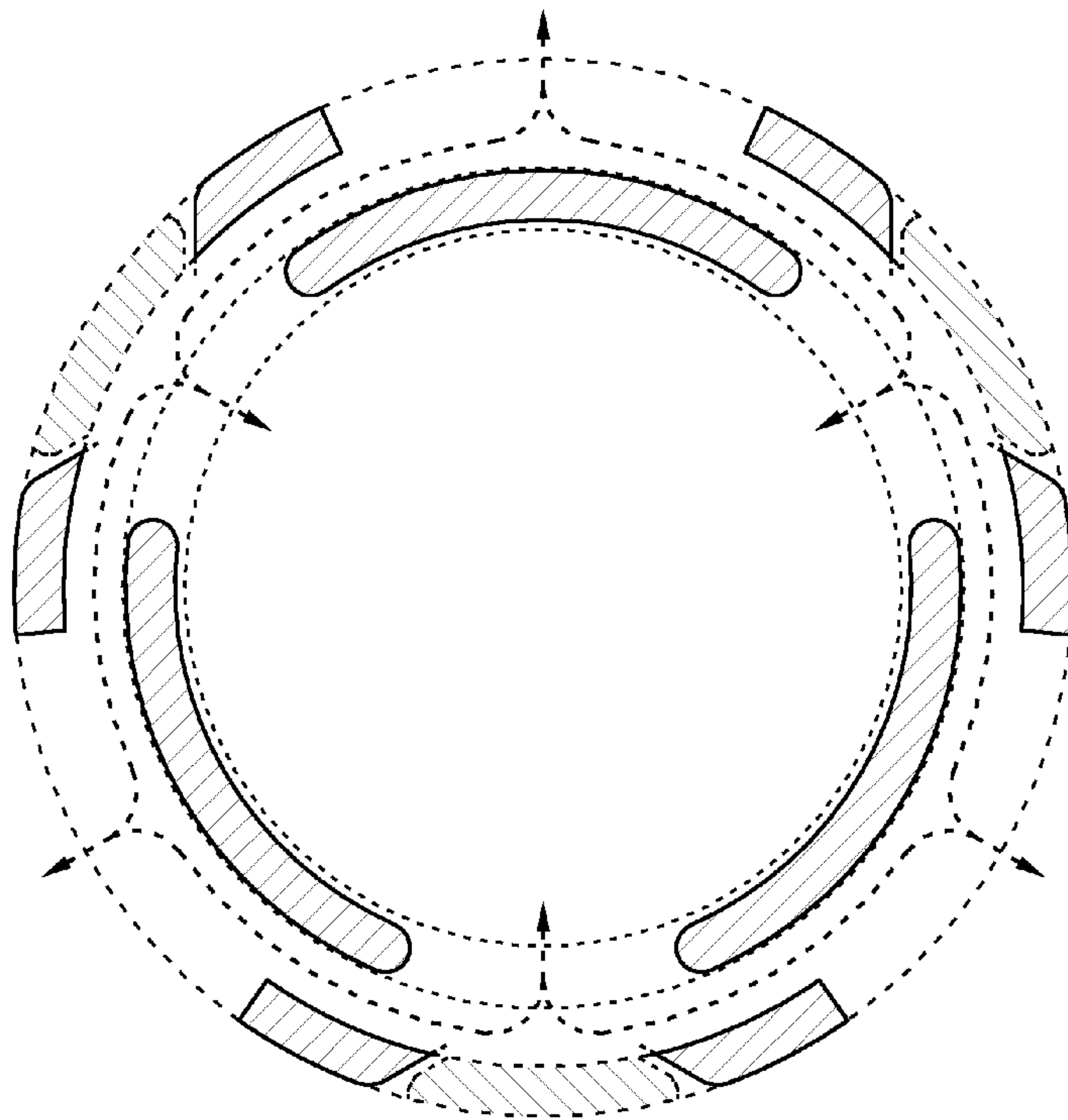


FIG. 12