



US00D671199S

(12) **United States Design Patent**
Bryce

(10) **Patent No.:** **US D671,199 S**

(45) **Date of Patent:** **** Nov. 20, 2012**

(54) **HEATING APPARATUS**

(76) Inventor: **Donald William Bryce**, Natick, MA
(US)

(**) Term: **14 Years**

(21) Appl. No.: **29/420,406**

(22) Filed: **May 9, 2012**

(51) **LOC (9) Cl.** **23-03**

(52) **U.S. Cl.** **D23/332**

(58) **Field of Classification Search** D23/314,
D23/317, 332, 330, 335, 334, 336, 337, 338,
D23/339, 340, 342, 352, 355, 362, 364; 416/244 R,
416/347 R, 53.1-53.3; 392/365, 367
See application file for complete search history.

(56) **References Cited**

U.S. PATENT DOCUMENTS

5,278,936	A *	1/1994	Shao	392/365
5,805,767	A *	9/1998	Jouas et al.	392/373
D405,171	S *	2/1999	Jane et al.	D23/332
D536,429	S *	2/2007	Bushee	D23/333
D558,869	S *	1/2008	Bushee	D23/356

* cited by examiner

Primary Examiner — T. Chase Nelson

Assistant Examiner — Ania Aman

(74) *Attorney, Agent, or Firm* — Frank Marino

(57) **CLAIM**

The ornamental design for a heating apparatus, as shown and described.

DESCRIPTION

FIG. 1 is a perspective view of a heating apparatus according to our new design;

FIG. 2 is a top view of the heating apparatus of FIG. 1;

FIG. 3 is a bottom view elevation view of the heating apparatus of FIG. 1;

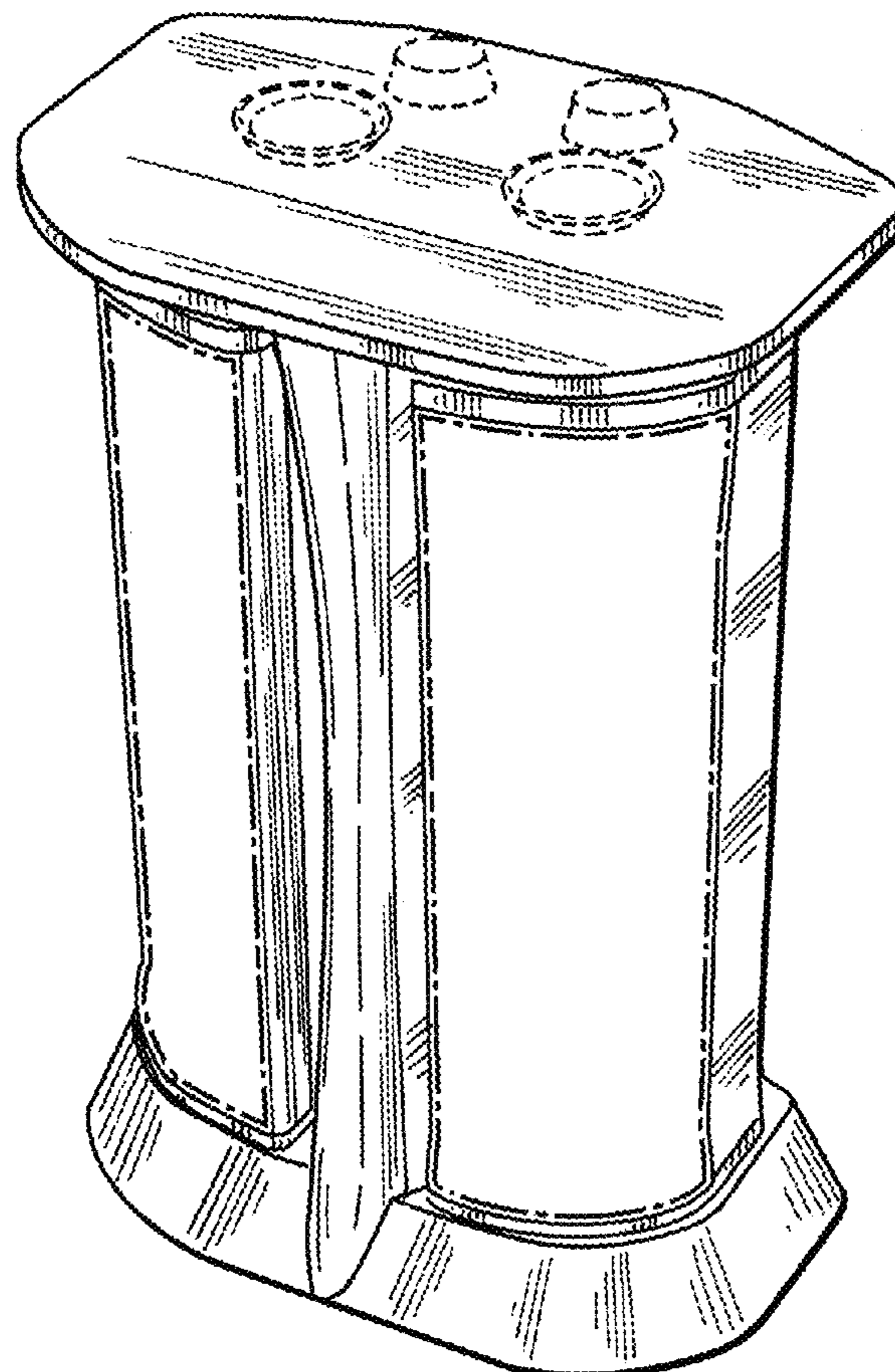
FIG. 4 is a front elevation view of the heating apparatus of FIG. 1;

FIG. 5 is a right side elevation view of the heating apparatus of FIG. 1, the left side elevation view being a mirror image thereof; and,

FIG. 6 is a rear side elevation view of the heating apparatus of FIG. 1.

In the drawings, the broken lines depict unclaimed subject matter only and form no part of the claimed design.

1 Claim, 2 Drawing Sheets



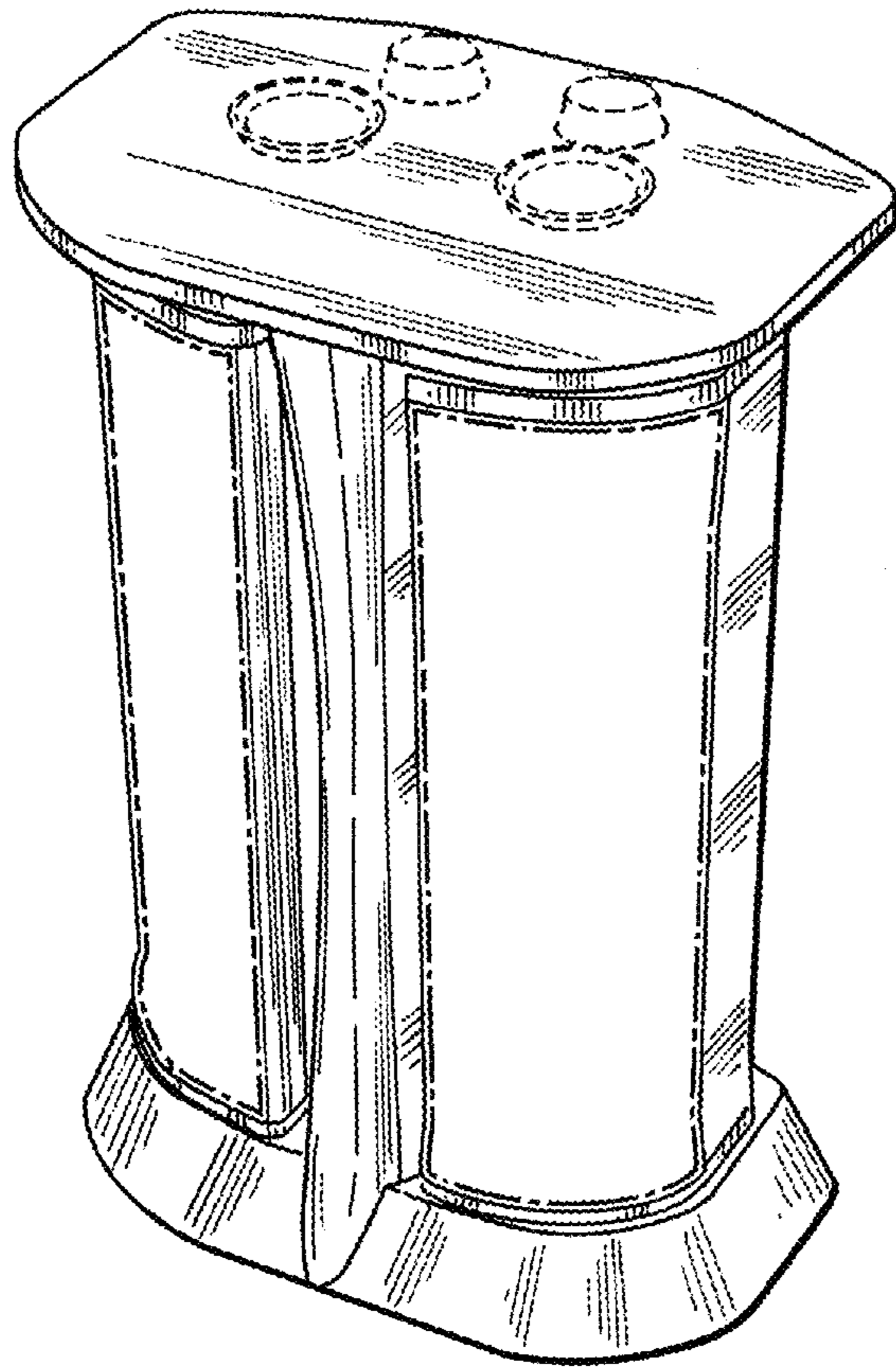


Fig. 1

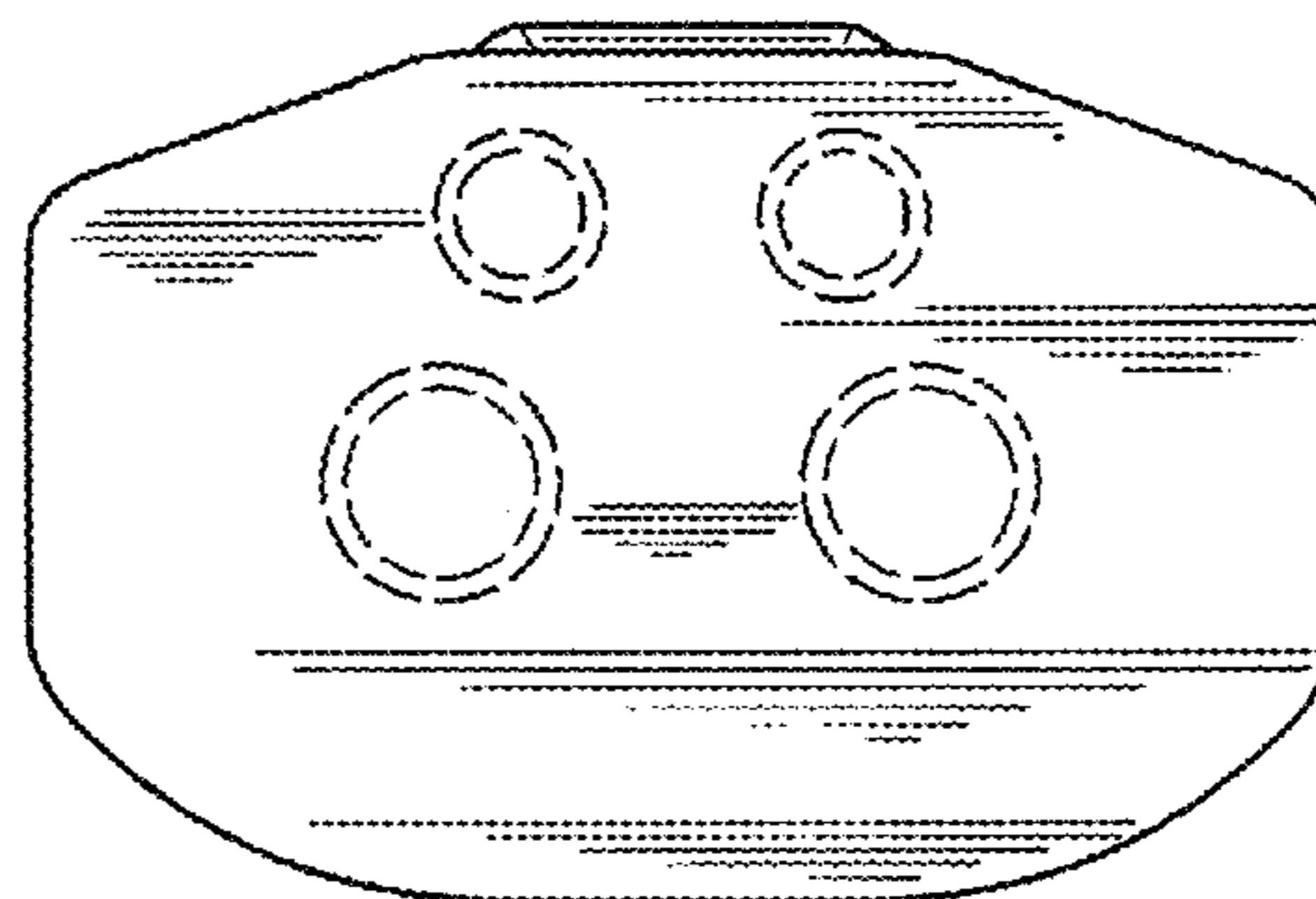


Fig. 2

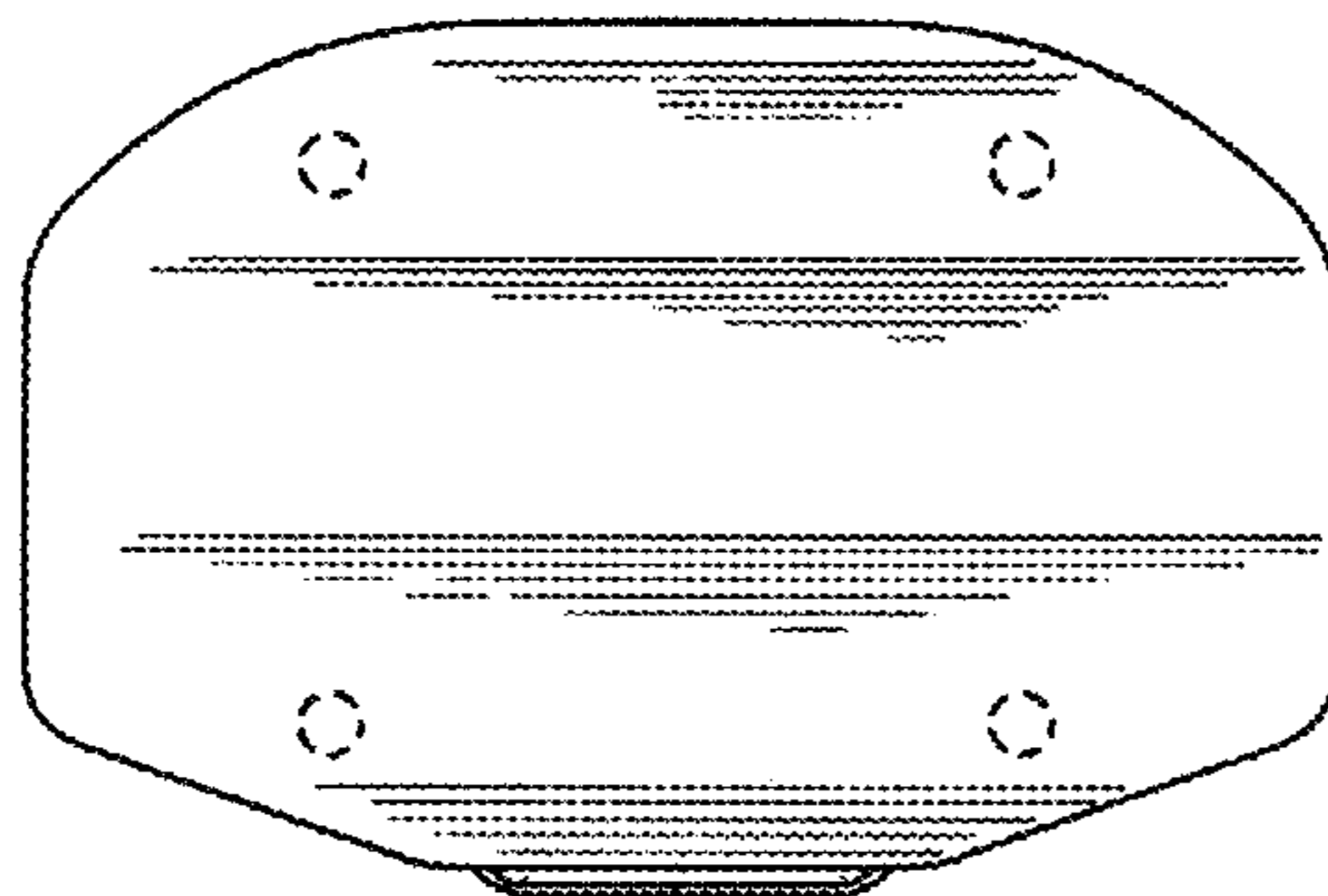


Fig. 3

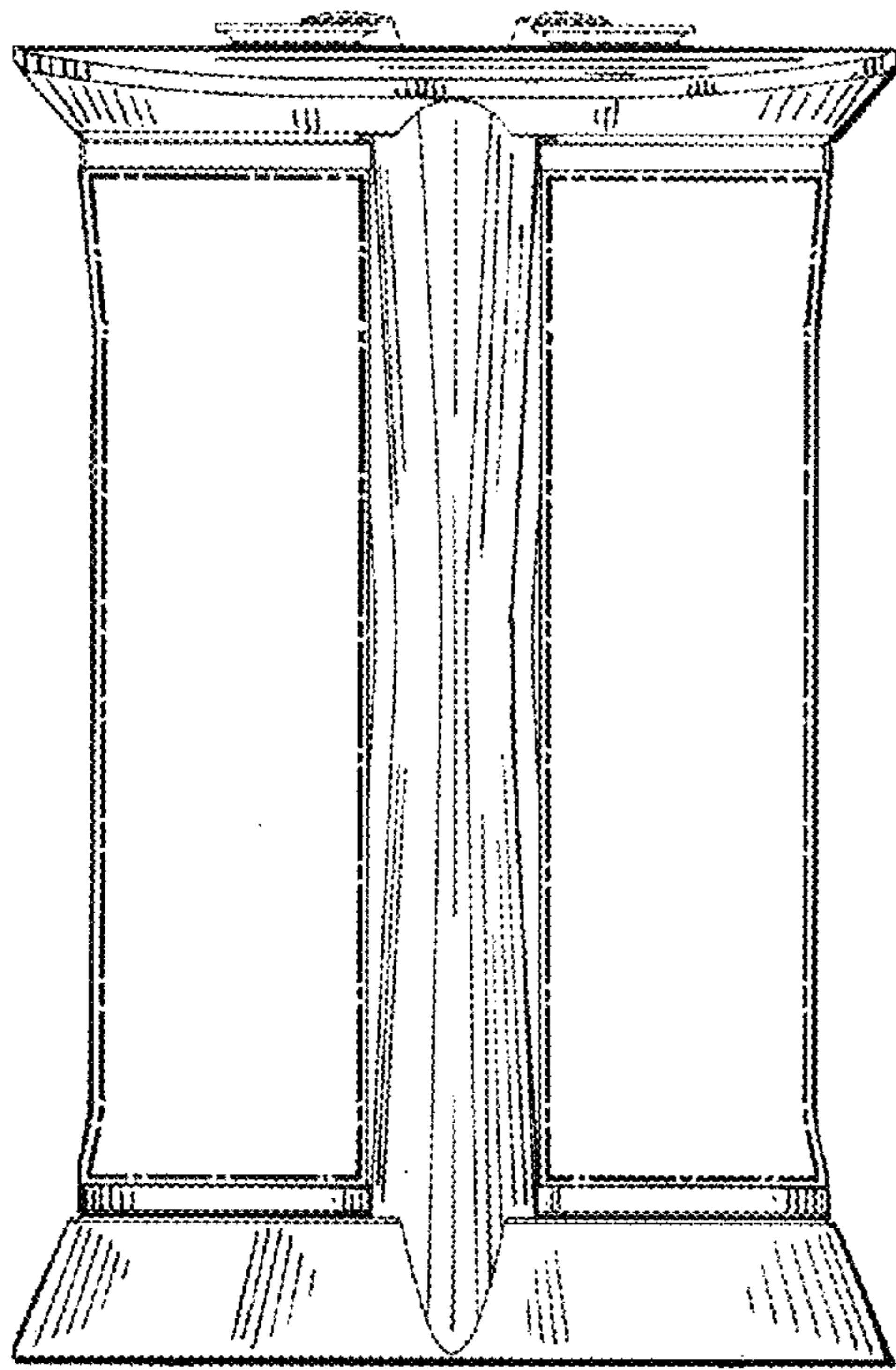


Fig. 4

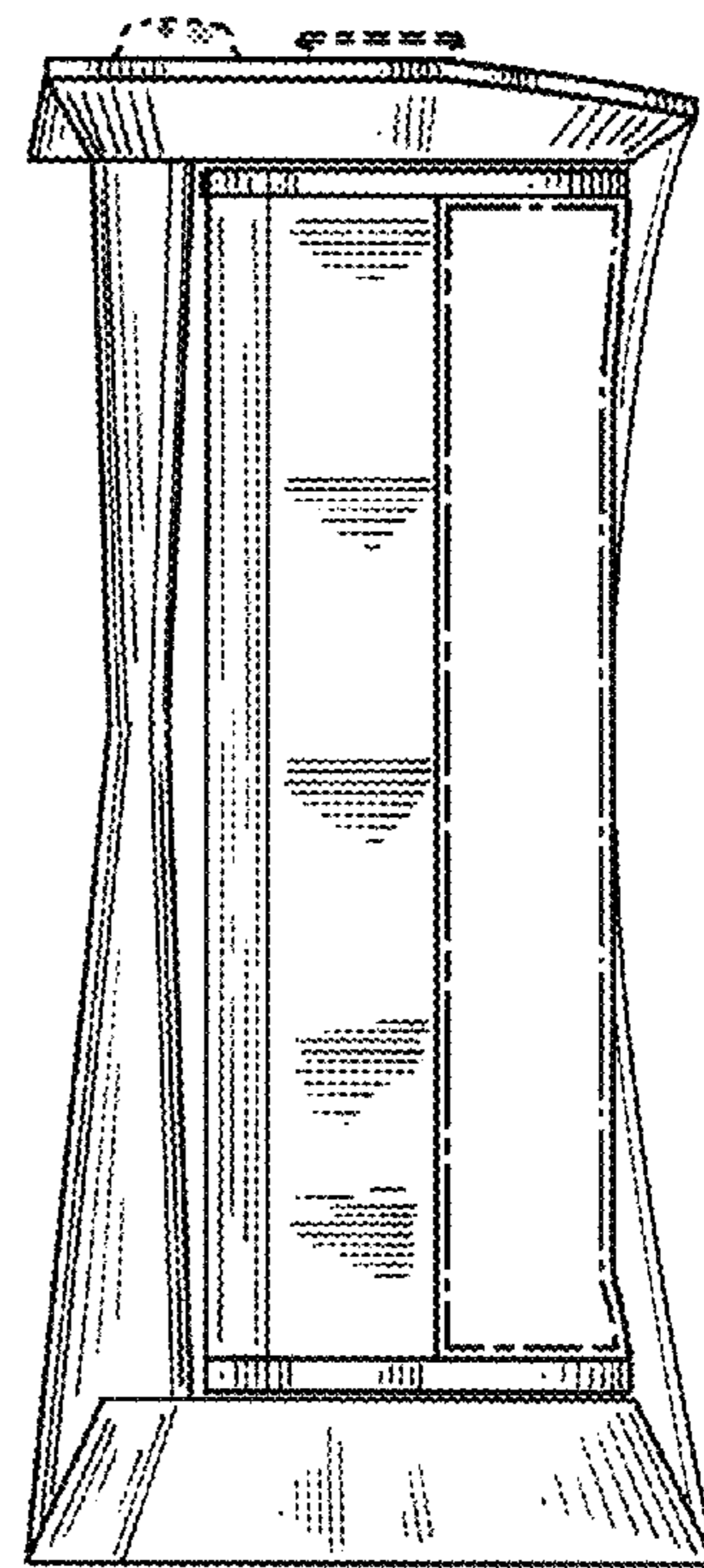


Fig. 5

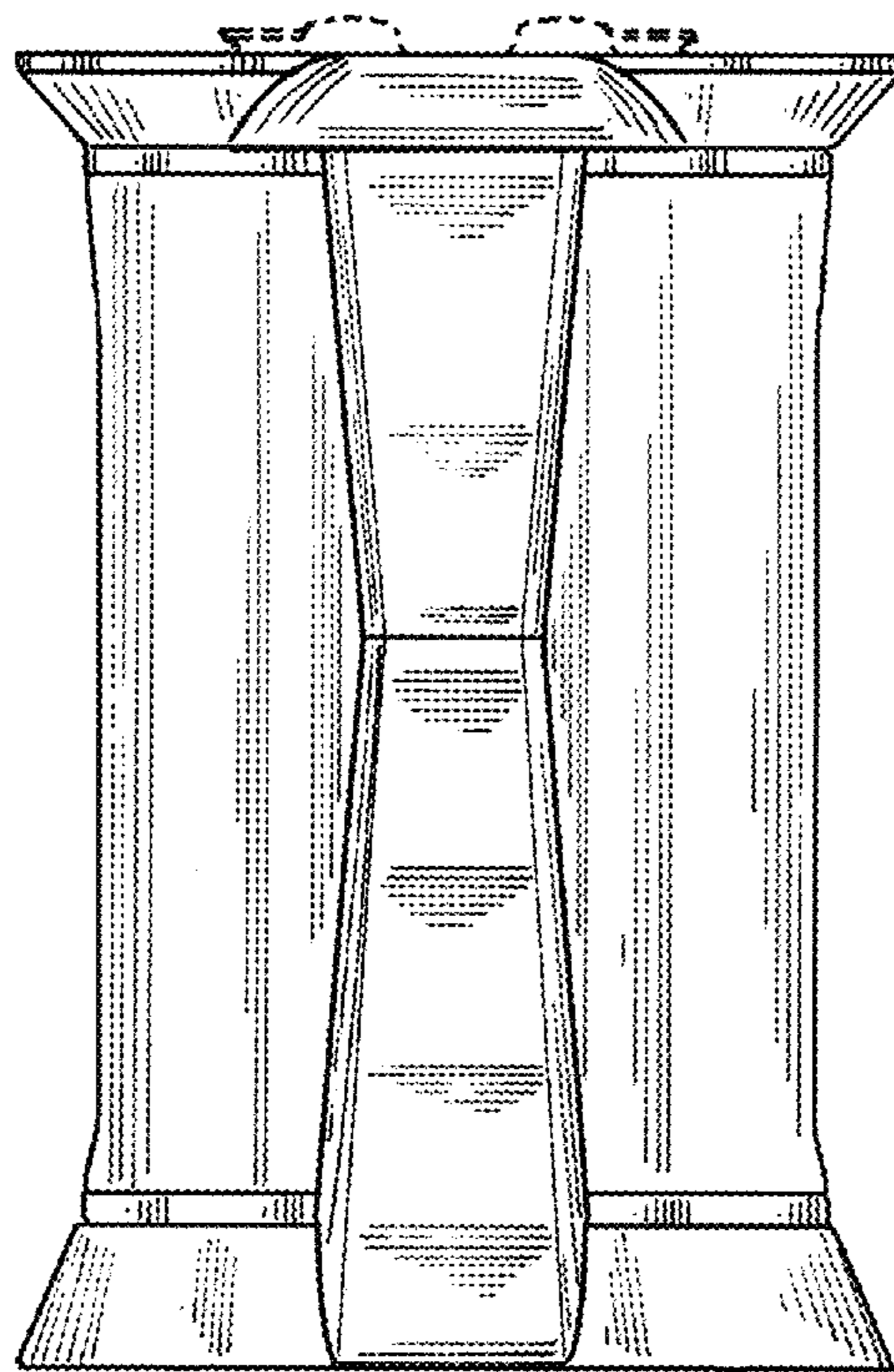


Fig. 6